



- (51) International Patent Classification:
H04R 25/00 (2006.01) H04R 3/00 (2006.01)
- (21) International Application Number:
PCT/IB2011/054808
- (22) International Filing Date:
28 October 2011 (28.10.2011)
- (25) Filing Language:
English
- (26) Publication Language:
English
- (30) Priority Data:
12/914,206 28 October 2010 (28.10.2010) US
- (71) Applicant (for all designated States except US): **COCHLEAR LIMITED** [AU/AU]; c/o IP Department, 1 University Avenue, Macquarie University, New South Wales 2109 (AU).
- (72) Inventors; and
- (75) Inventors/Applicants (for US only): **JAMES, Christopher, J.** [GB/FR]; c/o IP Department, Cochlear Limited, 1 University Avenue, Macquarie University, New South Wales 2109 (AU). **BOUCHATAOUI, Ibrahim** [BE/BE]; c/o IP Department, Cochlear Limited, 1 University Avenue, Macquarie University, New South Wales 2109 (AU). **KILLIAN, Mattheus** [NL/BE]; c/o IP Department, Cochlear Limited, 1 University Avenue, Macquarie University, New South Wales 2109 (AU). **VAN DEN HUEVEL,**

Koen [BE/BE]; c/o IP Department, Cochlear Limited, 1 University Avenue, Macquarie University, New South Wales 2109 (AU).

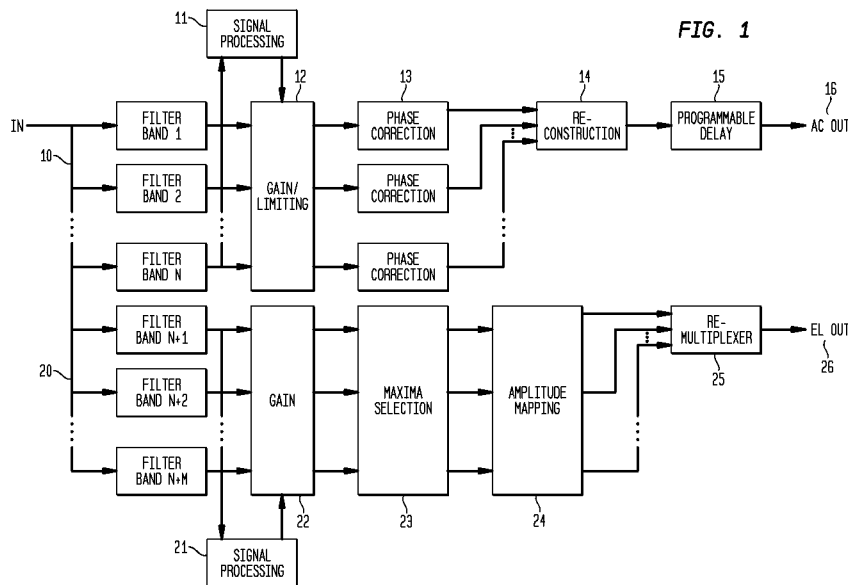
(81) Designated States (unless otherwise indicated, for every kind of national protection available): AE, AG, AL, AM, AO, AT, AU, AZ, BA, BB, BG, BH, BR, BW, BY, BZ, CA, CH, CL, CN, CO, CR, CU, CZ, DE, DK, DM, DO, DZ, EC, EE, EG, ES, FI, GB, GD, GE, GH, GM, GT, HN, HR, HU, ID, IL, IN, IS, JP, KE, KG, KM, KN, KP, KR, KZ, LA, LC, LK, LR, LS, LT, LU, LY, MA, MD, ME, MG, MK, MN, MW, MX, MY, MZ, NA, NG, NI, NO, NZ, OM, PE, PG, PH, PL, PT, QA, RO, RS, RU, RW, SC, SD, SE, SG, SK, SL, SM, ST, SV, SY, TH, TJ, TM, TN, TR, TT, TZ, UA, UG, US, UZ, VC, VN, ZA, ZM, ZW.

(84) Designated States (unless otherwise indicated, for every kind of regional protection available): ARIPO (BW, GH, GM, KE, LR, LS, MW, MZ, NA, RW, SD, SL, SZ, TZ, UG, ZM, ZW), Eurasian (AM, AZ, BY, KG, KZ, MD, RU, TJ, TM), European (AL, AT, BE, BG, CH, CY, CZ, DE, DK, EE, ES, FI, FR, GB, GR, HR, HU, IE, IS, IT, LT, LU, LV, MC, MK, MT, NL, NO, PL, PT, RO, RS, SE, SI, SK, SM, TR), OAPI (BF, BJ, CF, CG, CI, CM, GA, GN, GQ, GW, ML, MR, NE, SN, TD, TG).

Published:
— with international search report (Art. 21(3))

[Continued on next page]

(54) Title: FITTING AN AUDITORY PROSTHESIS



(57) Abstract: A method and system for fitting and adjusting the operation of an acoustic hearing prosthesis or a hybrid electric and acoustic hearing prosthesis. A graphic user interface allows for the acoustic and electric fitting parameters to be viewed and adjusted in a comparable way. The method further allows for the parameters for acoustic stimulation of the acoustic channels to be adjusted in response to behavioural or objective measurement of responses to known stimuli, so as to achieve a desired response curve.

WO 2012/056427 A3

— *before the expiration of the time limit for amending the claims and to be republished in the event of receipt of amendments (Rule 48.2(h))*

(88) Date of publication of the international search report:
21 June 2012

INTERNATIONAL SEARCH REPORT

International application No.
PCT/IB2011/054808**A. CLASSIFICATION OF SUBJECT MATTER****H04R 25/00(2006.01)i, H04R 3/00(2006.01)i**

According to International Patent Classification (IPC) or to both national classification and IPC

B. FIELDS SEARCHED

Minimum documentation searched (classification system followed by classification symbols)

H04R 25/00; A61N 1/36

Documentation searched other than minimum documentation to the extent that such documents are included in the fields searched

Korean utility models and applications for utility models

Japanese utility models and applications for utility models

Electronic data base consulted during the international search (name of data base and, where practicable, search terms used)

eKOMPASS(KIPO internal) & Keywords: FITTING, AUDITORY PROSTHESIS, response curve, acoustic/electrical stimulator, input/output paramters, channel, match

C. DOCUMENTS CONSIDERED TO BE RELEVANT

Category*	Citation of document, with indication, where appropriate, of the relevant passages	Relevant to claim No.
A	US 7010136 B1 (ROBERTS,RANDALL W. et al.) 07 March 2006 See abstract, claims 1,11, and figures 1-4.	1-15
A	US 2002-0176584 A1 (JAMES MITCHELL KATES) 28 November 2002 See abstract, claims 1,2, and figures 3-5,12.	1-15
A	US 05724433A A (ENGBRETSON A. MAYNARD et al.) 03 March 1998 See abstract, column 7, claim 1, and figures 1-3.	1-15
A	US 6190306 B1 (KENNEDY; JOEL A.) 20 February 2001 See claims 1,12,13 and figures 1,2.	1-15
A	EP 2071873 A1 (BERNAFON AG) 17 June 2009 See abstract and claim 1.	1-15
A	US 2006-0287690 A1 (BOUCHATAOUI IBRAHIM et al.) 21 December 2006 See abstract and claims 1,2.	1-15

 Further documents are listed in the continuation of Box C. See patent family annex.

* Special categories of cited documents:

"A" document defining the general state of the art which is not considered to be of particular relevance

"E" earlier application or patent but published on or after the international filing date

"L" document which may throw doubts on priority claim(s) or which is cited to establish the publication date of citation or other special reason (as specified)

"O" document referring to an oral disclosure, use, exhibition or other means

"P" document published prior to the international filing date but later than the priority date claimed

"T" later document published after the international filing date or priority date and not in conflict with the application but cited to understand the principle or theory underlying the invention

"X" document of particular relevance; the claimed invention cannot be considered novel or cannot be considered to involve an inventive step when the document is taken alone

"Y" document of particular relevance; the claimed invention cannot be considered to involve an inventive step when the document is combined with one or more other such documents, such combination being obvious to a person skilled in the art

"&" document member of the same patent family

Date of the actual completion of the international search

25 APRIL 2012 (25.04.2012)

Date of mailing of the international search report

27 APRIL 2012 (27.04.2012)

Name and mailing address of the ISA/KR

Korean Intellectual Property Office
Government Complex-Daejeon, 189 Cheongsu-ro,
Seo-gu, Daejeon 302-701, Republic of Korea

Facsimile No. 82-42-472-7140

Authorized officer

Song Geun Bae

Telephone No. 82-42-481-8688



INTERNATIONAL SEARCH REPORT

Information on patent family members

International application No.

PCT/IB2011/054808

Patent document cited in search report	Publication date	Patent family member(s)	Publication date
US 7010136 B1	07.03.2006	AT 485686 T	15.11.2010
		AU 2000-33674 A1	04.09.2000
		CA 2371909 A1	24.08.2000
		CA 2371909 C	29.04.2008
		DE 60045123 D1	02.12.2010
		EP 1169885 A1	09.01.2002
		EP 1169885 B1	20.10.2010
		WO 00-49837 A1	24.08.2000
		WO 00-49837A9	11.10.2001
		US 2002-0176584 A1	28.11.2002
US 7058182 B2	06.06.2006		
US 05724433A A	03.03.1998	CA 2160133 C	06.06.2000
		EP 0693249 A1	31.10.2001
		EP 0693249 A1	24.01.1996
		EP 0693249 A4	13.03.1996
		EP 0693249 B1	31.03.2004
		EP 1175125 A2	23.01.2002
		EP 1175125 A3	06.11.2002
		EP 1175125 B1	16.12.2009
		JP 02-931101 B2	21.05.1999
		JP 08-508626 A	10.09.1996
		JP 2931101 B2	09.08.1999
		US 05706352A A	06.01.1998
		WO 94-23548 A1	13.10.1994
US 6190306 B1	20.02.2001	AU 8775198 A	01.03.1999
		AU 8775198 A	01.03.1999
		DE 19882594 T0	27.07.2000
		DE 19882594 T1	27.07.2000
		US 2001-0016678 A1	23.08.2001
		WO 99-08475 A2	18.02.1999
		WO 99-08475 A3	14.05.1999
		WO 99-08475 B1	29.07.1999
EP 2071873 A1	17.06.2009	CN 101459867 A	17.06.2009
		US 2009-0147977 A1	11.06.2009
US 2006-0287690 A1	21.12.2006	AU 2005-201999 A1	24.11.2005
		AU 2005-203696 A1	24.11.2005
		US 2005-0261748 A1	24.11.2005
		US 8086319 B2	27.12.2011