



US00D457540S

(12) **United States Design Patent** (10) **Patent No.:** **US D457,540 S**  
**Kieronski** (45) **Date of Patent:** **\*\* May 21, 2002**

(54) **SUSPENDED OPTICAL ELEMENT  
COMPRISING PART OF A LIGHT  
SCULPTURE**

*Primary Examiner*—Paula A. Mortimer

(76) **Inventor:** **Robert Victor Kieronski**, 37 Catherine  
St., Newport, RI (US) 02840

(57) **CLAIM**

The ornamental design for a suspended optical element  
comprising part of a light sculpture, as shown and described.

(\*\*) **Term:** **14 Years**

**DESCRIPTION**

(21) **Appl. No.:** **29/138,622**

(22) **Filed:** **Mar. 19, 2001**

(51) **LOC (7) Cl.** ..... **16-99**

(52) **U.S. Cl.** ..... **D16/130**

(58) **Field of Search** ..... D16/130, 135,  
D16/136, 137; 359/800, 802, 803, 808,  
810, 708, 710, 742, 647; D11/130, 131,  
132, 133, 134, 142; D26/104; 362/352

**FIG. 1** is an isometric view of one suspended optical element  
showing the new design in context with both a wall and a  
specialized illuminator device;

**FIG. 2** is an isometric view of the optical element;

**FIG. 3** is a top view of the optical element;

**FIG. 4** is a bottom view of the optical element;

**FIG. 5** is a front elevational view of the optical element;

**FIG. 6** is a right side elevational view of the optical element;

**FIG. 7** is a left side elevational view of the optical element;  
and,

**FIG. 8** is an isometric view of the optical element in an  
unassembled form shown separately for ease of illustration.

The broken line showing of the wall and light sculpture in  
**FIGS. 1, 3, 4, 6, 7**, and suspending means in **FIGS. 1, 2, 5, 6, 7**,  
and **8** is for illustrative purposes only and forms no part of  
the claimed design.

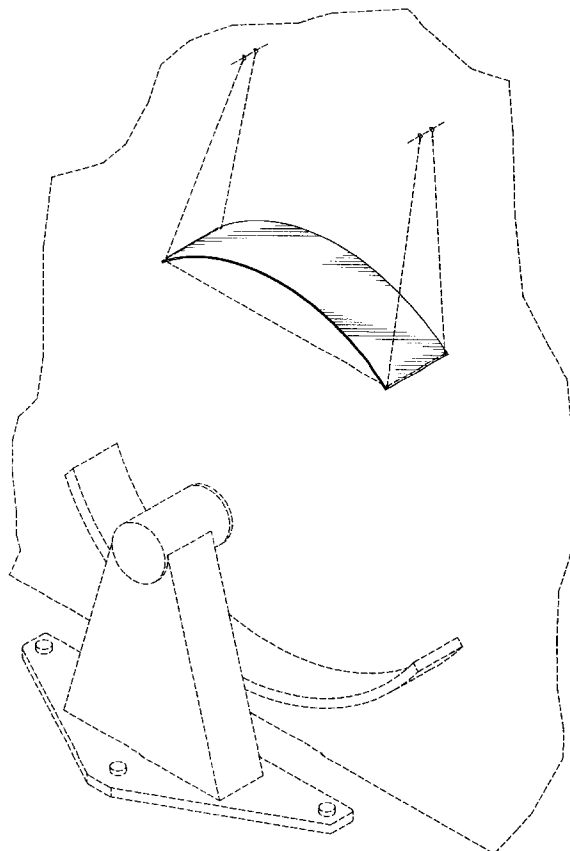
(56) **References Cited**

**U.S. PATENT DOCUMENTS**

2,586,581	A	*	2/1952	Tschischeck	.....	359/710
2,586,723	A	*	2/1952	Sakols	.....	D16/135 X
D191,851	S	*	11/1961	Lazor	.....	D16/135
3,609,347	A	*	9/1971	Kopenhaver	.....	D26/104
4,949,978	A	*	8/1990	Berner	.....	359/708
D313,669	S	*	1/1991	Sonneman	.....	D26/104

\* cited by examiner

**1 Claim, 5 Drawing Sheets**



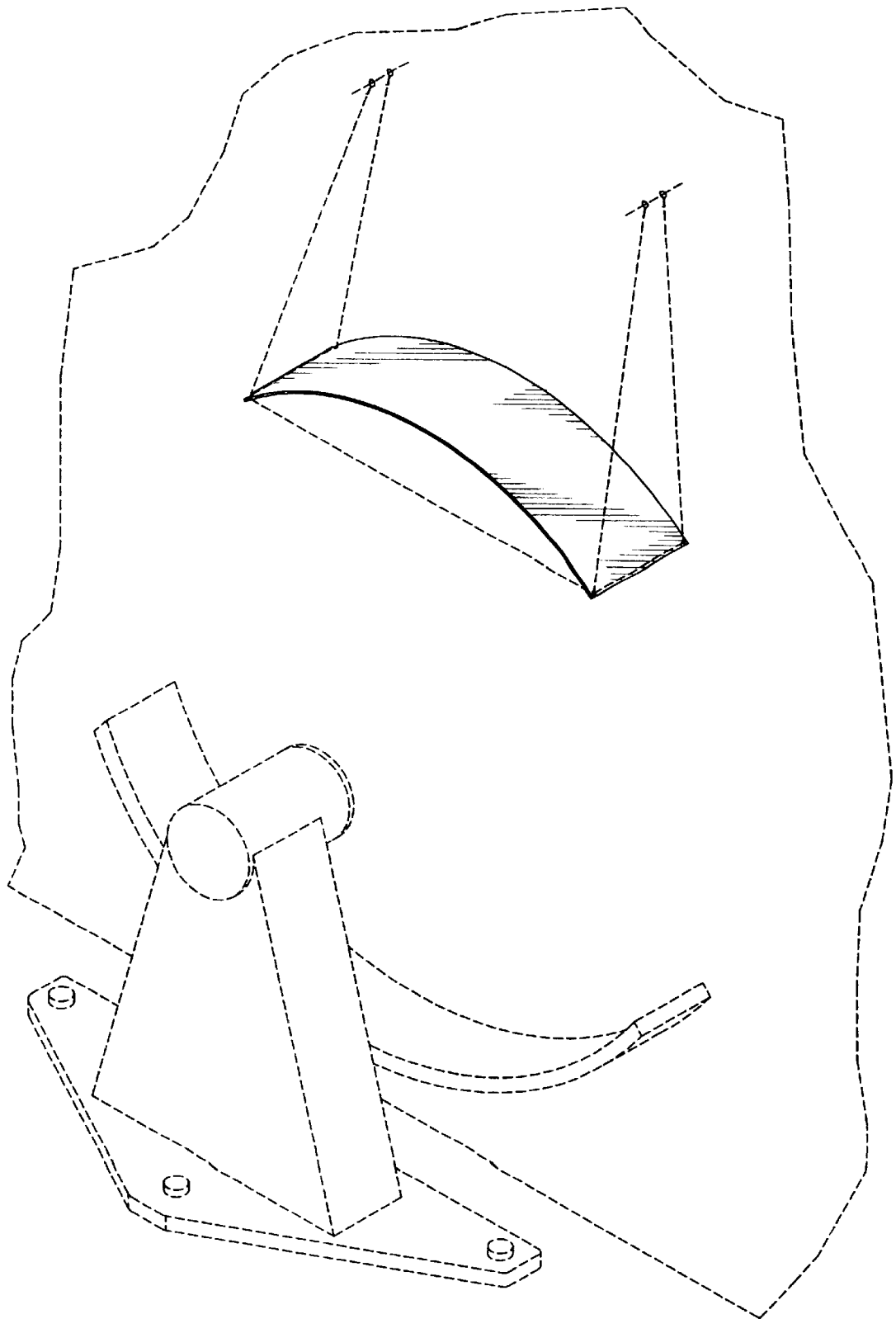


FIG. 1

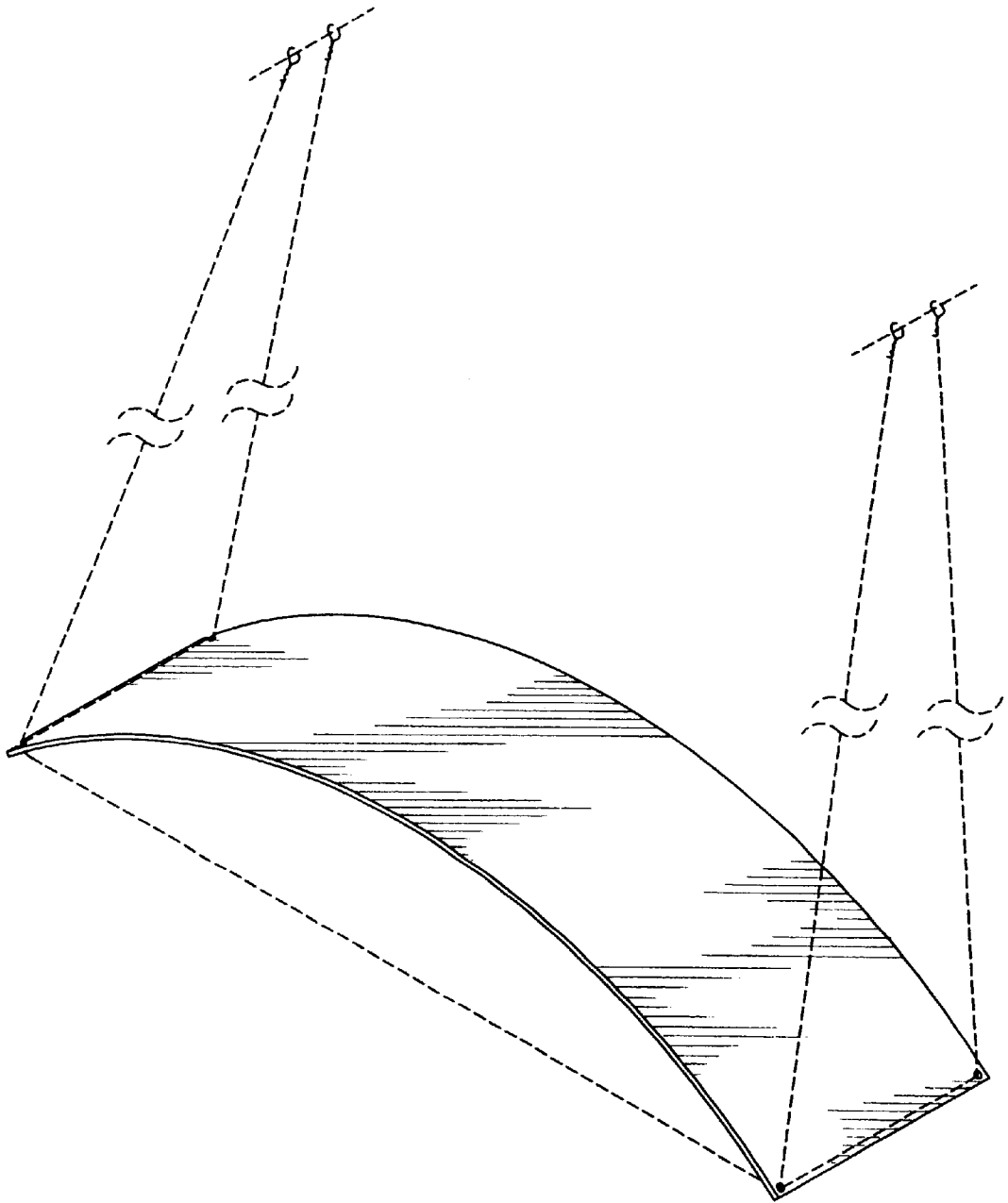


FIG. 2

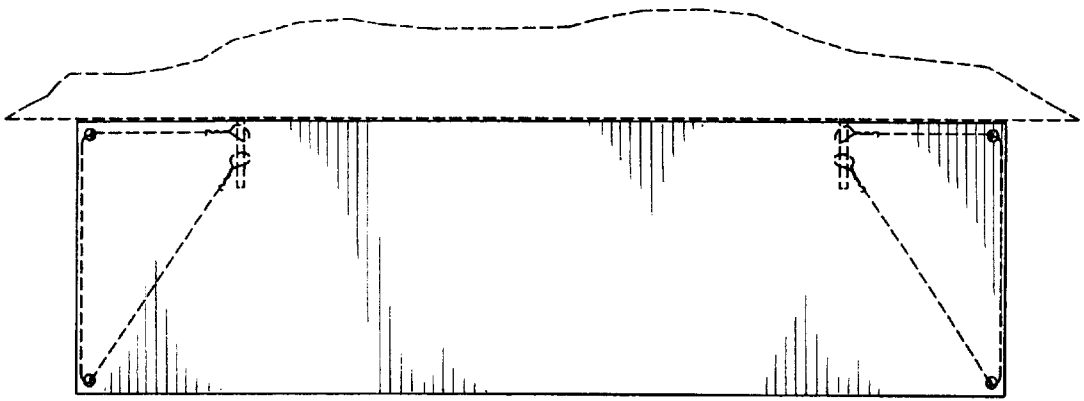


FIG. 3

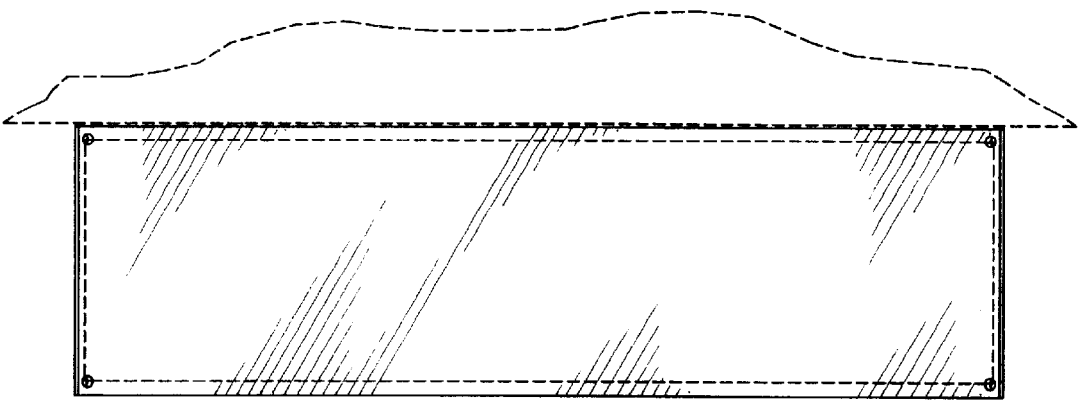


FIG. 4

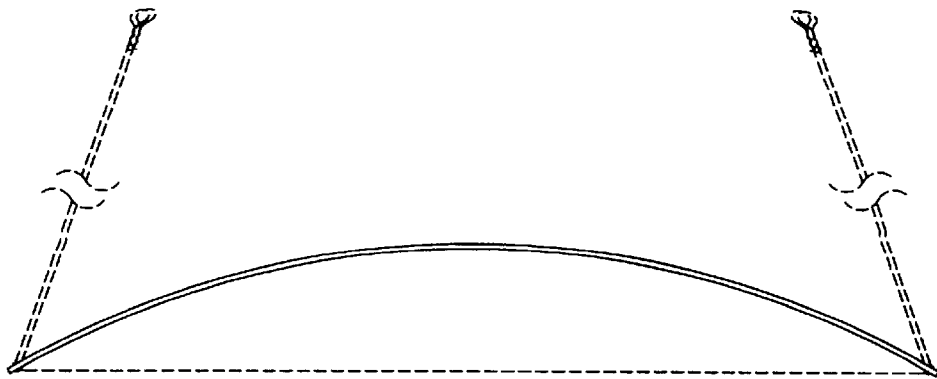


FIG. 5

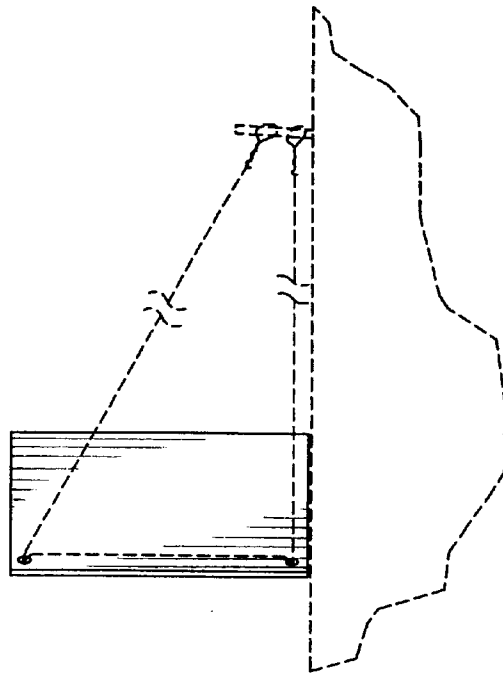


FIG. 6

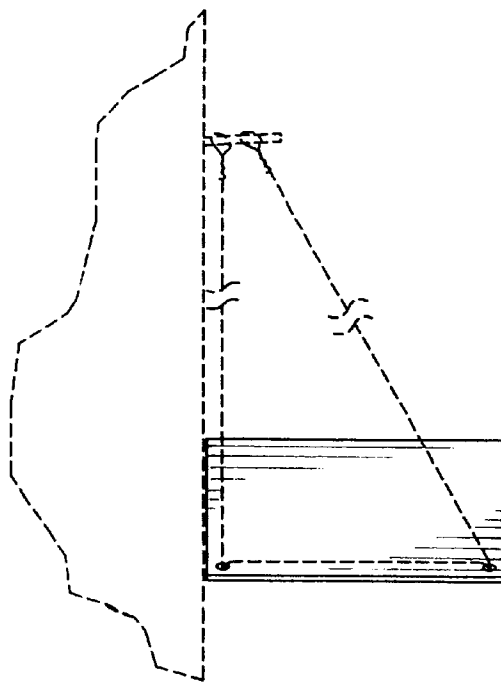


FIG. 7

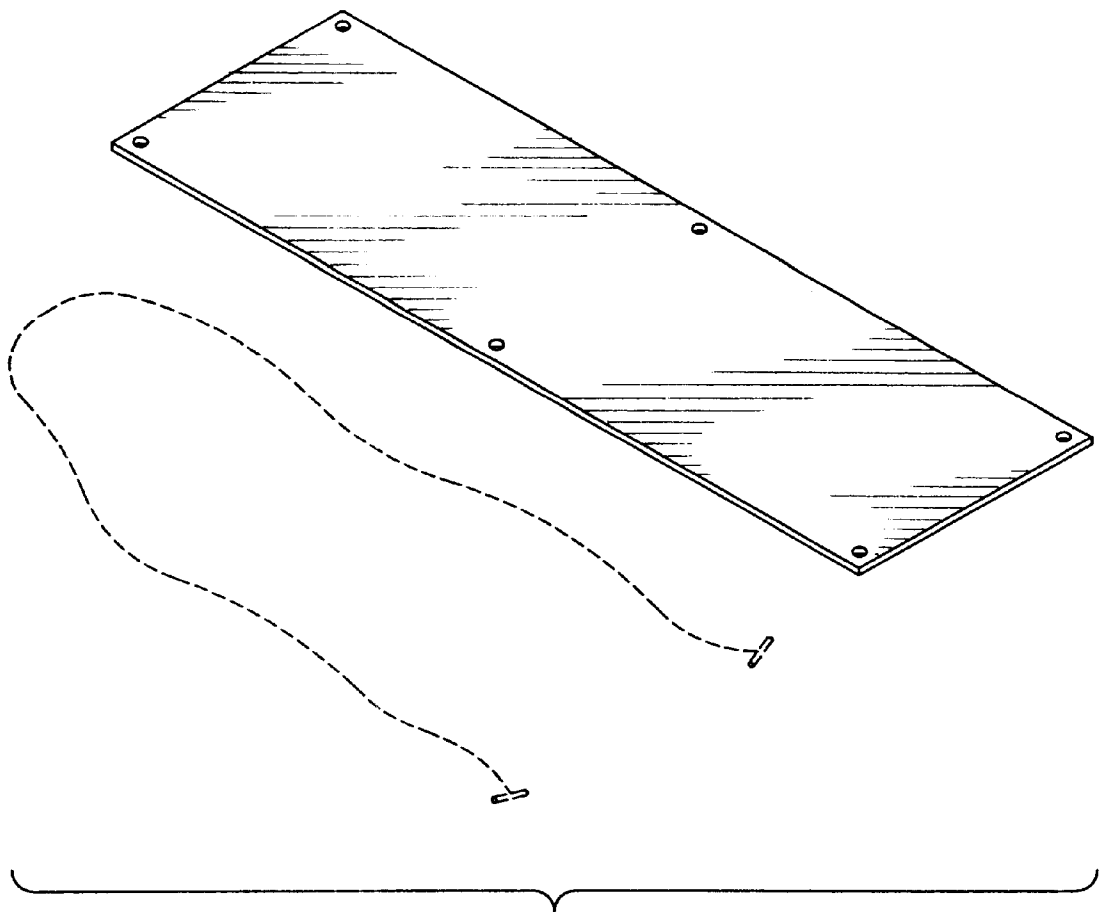


FIG. 8