



US00D346830S

United States Patent [19]

[11] Patent Number: Des. 346,830

Masujima et al.

[45] Date of Patent: ** May 10, 1994

[54] ILLUMINABLE PRICE DISPLAY FOR A GROCERY STORE CHECK-OUT COUNTER

[75] Inventors: Ikuo Masujima; Kazuko Fukano, both of Nagano, Japan

[73] Assignee: Seiko Epson Corporation, Tokyo, Japan

[**] Term: 14 Years

[21] Appl. No.: 10,708

[22] Filed: Jul. 15, 1993

[30] Foreign Application Priority Data

Jan. 20, 1993 [JP] Japan 5-1130

[52] U.S. Cl. D20/41

[58] Field of Search 40/1, 540, 541, 542, 40/564, 570, 584, 585, 606, 607, 608; D20/10, 18, 19, 20, 41; D26/24, 25, 63

[56] References Cited

U.S. PATENT DOCUMENTS

- D. 229,451 11/1973 Cregar D20/19
- D. 276,824 12/1984 Wilde D20/41

- D. 320,462 10/1991 Williams et al. D26/24
- D. 327,953 7/1992 Jordan D26/24
- D. 336,112 6/1993 Miyake et al. D20/41
- D. 340,049 10/1993 Zijlenwall et al. D20/41
- 4,322,905 4/1982 Kruse 40/611
- 4,954,813 9/1990 August, Sr. et al. 340/571

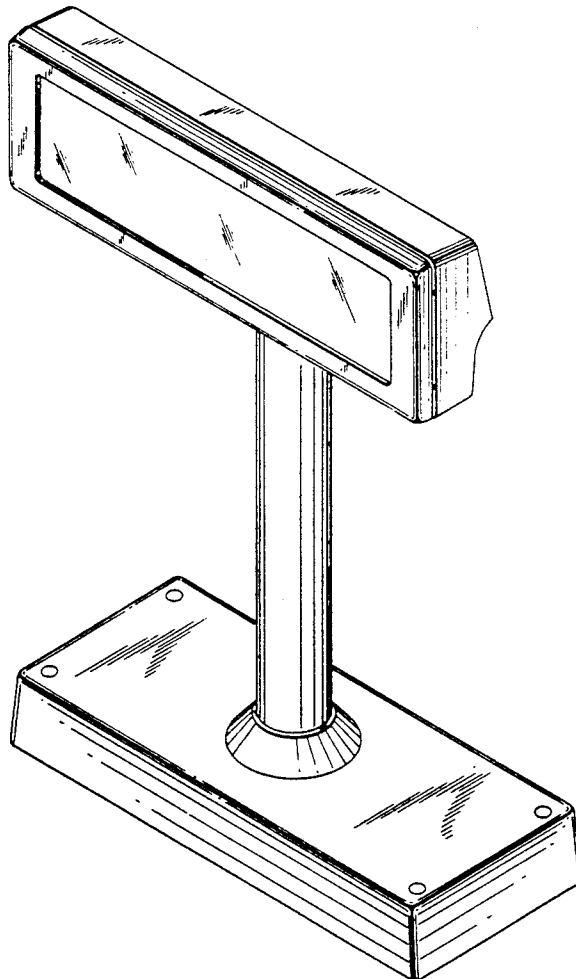
Primary Examiner—Wallace R. Burke
Assistant Examiner—Marcus Jackson
Attorney, Agent, or Firm—Stroock & Stroock & Lavan

[57] CLAIM

The ornamental design for a illuminable price display for a grocery store check-out counter, as shown and described.

DESCRIPTION

FIG. 1 is a front perspective view of the illuminable price display for a grocery store check-out counter in accordance with our new design; FIG. 2 is a top plan view thereof; FIG. 3 is a front elevational view thereof; FIG. 4 is a left side view thereof; FIG. 5 is a right side view thereof; FIG. 6 is a rear elevational view thereof; and, FIG. 7 is a bottom plan view thereof.



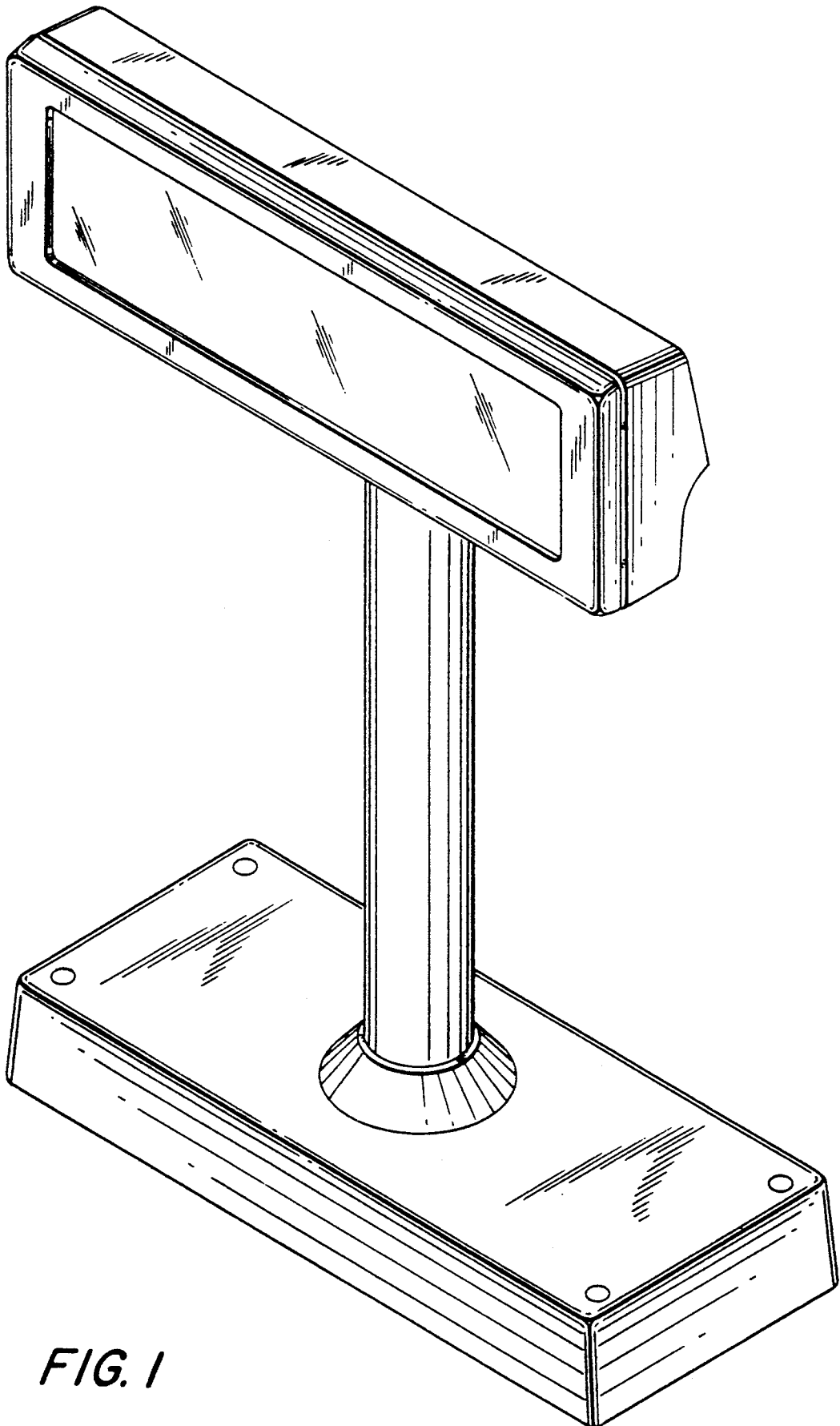


FIG. 1

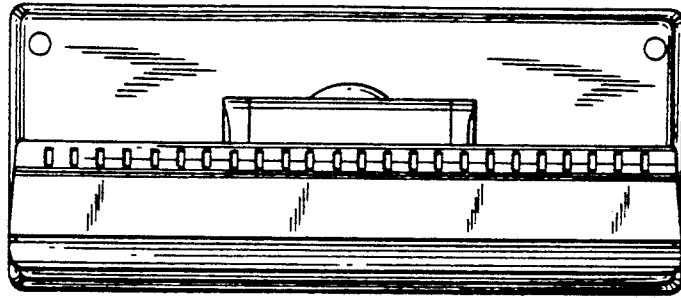
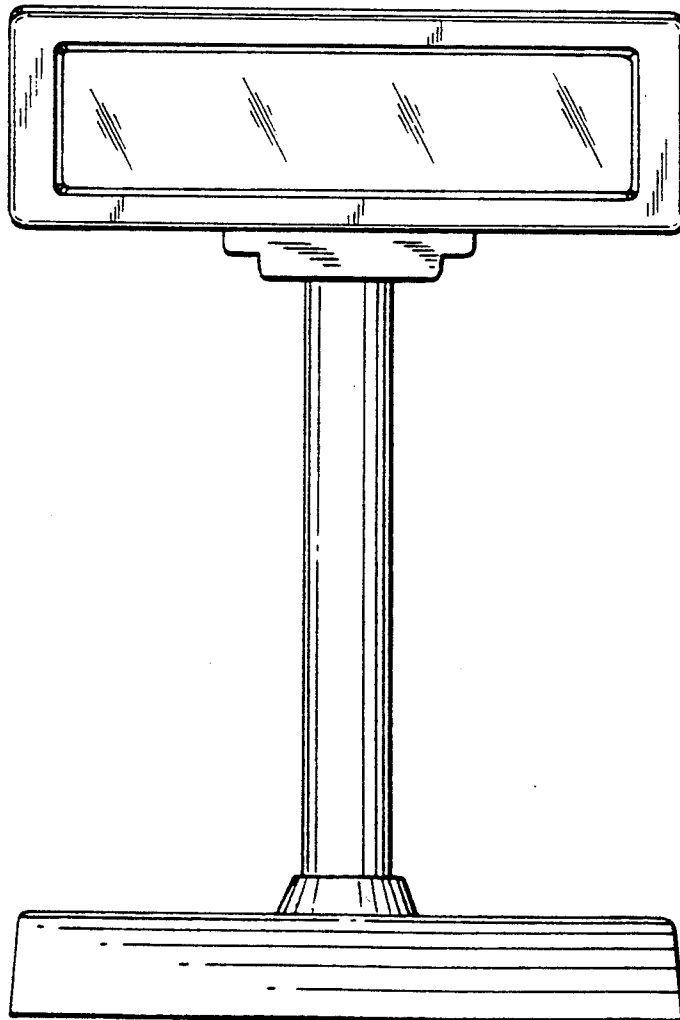


FIG. 2

FIG. 3



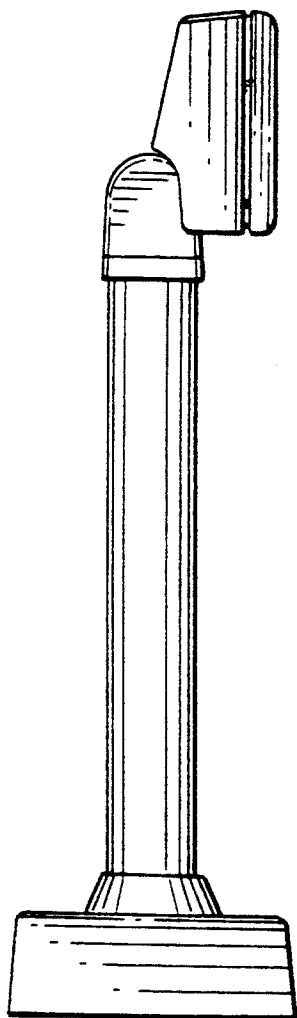


FIG. 4

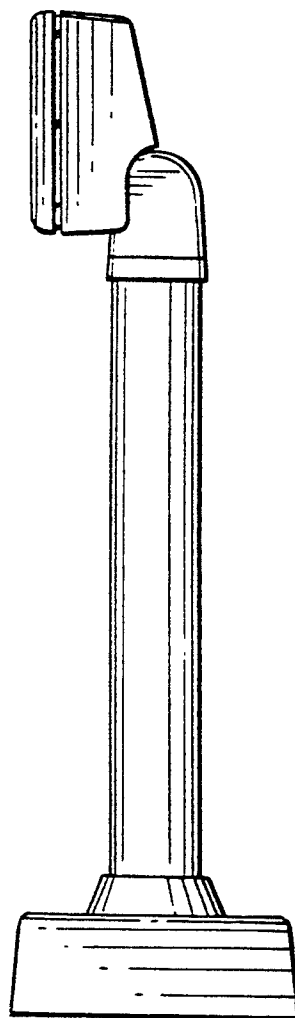


FIG. 5

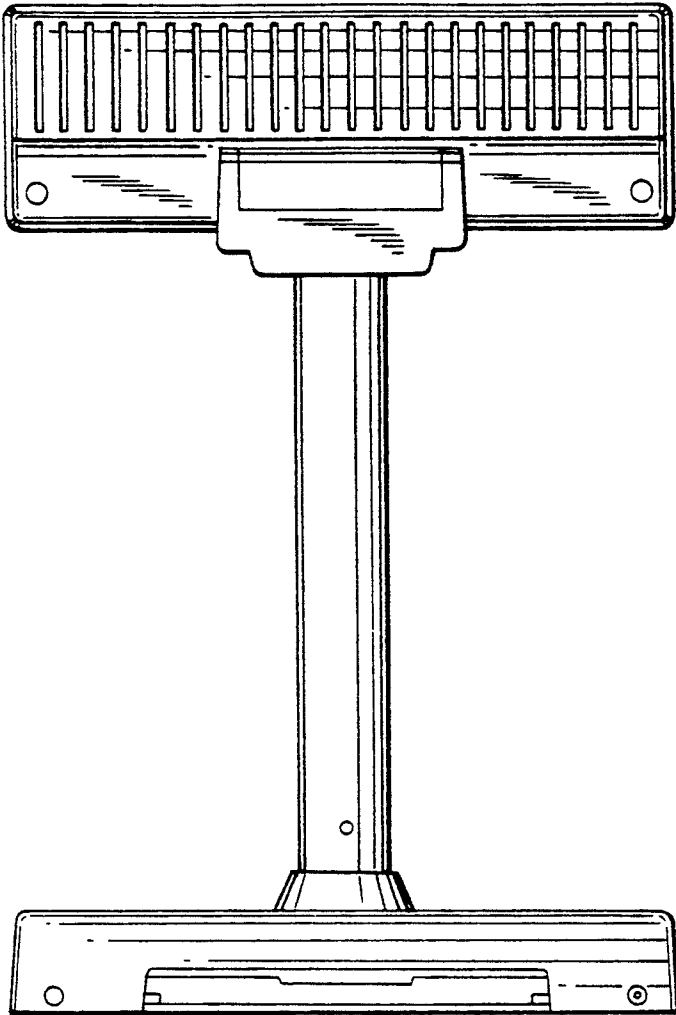


FIG. 6

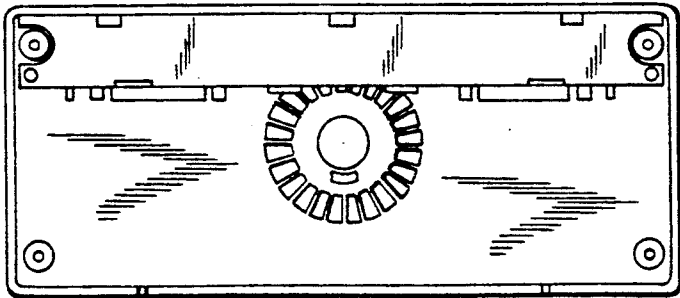


FIG. 7