



US00D758043S

(12) **United States Design Patent**  
**Van Wommel**

(10) **Patent No.:** **US D758,043 S**

(45) **Date of Patent:** **\*\* Jun. 7, 2016**

(54) **SHRED**

(71) Applicant: **FAM, Kontich (BE)**

(72) Inventor: **Sven Van Wommel, Londerzeel (BE)**

(73) Assignee: **FAM, Kontich (BE)**

(\*\*) Term: **14 Years**

(21) Appl. No.: **29/490,329**

(22) Filed: **May 8, 2014**

(30) **Foreign Application Priority Data**

Nov. 8, 2013 (EM) ..... 001389175-0002

(51) **LOC (10) Cl.** ..... **01-01**

(52) **U.S. Cl.**  
USPC ..... **D1/125**

(58) **Field of Classification Search**

USPC ..... D1/100-130, 199; 426/2, 89, 92, 104,  
426/635, 805; D30/160; D24/102, 103;  
D25/119-135; 119/706-711; D34/28,  
D34/29

See application file for complete search history.

(56) **References Cited**

**U.S. PATENT DOCUMENTS**

414,090	A	*	10/1889	Taylor	.....	72/468
D116,547	S	*	9/1939	Arms	.....	D28/8.1
2,195,879	A		4/1940	Urschel et al.		
2,875,800	A		3/1959	Urschel		
3,196,916	A		7/1965	Urschel		
D209,071	S	*	10/1967	Koch	.....	D34/29
3,823,880	A		7/1974	Urschel		
D233,032	S	*	10/1974	Donne	.....	D25/123
3,888,426	A		6/1975	Urschel et al.		
3,989,196	A		11/1976	Urschel		
4,042,183	A		8/1977	Cumpston		
4,523,503	A		6/1985	Julian et al.		
4,604,925	A		8/1986	Wisdom		
4,610,397	A		9/1986	Fischer et al.		
D377,899	S	*	2/1997	Riley et al.	.....	D8/499

D487,326	S	*	3/2004	Stoddart et al.	.....	D1/101
D532,583	S	*	11/2006	Townsend et al.	.....	D1/122
D585,627	S	*	2/2009	Wylie	.....	D1/125
D614,830	S	*	5/2010	Unlu et al.	.....	D1/125
D655,464	S	*	3/2012	Seliskar et al.	.....	D30/160
D658,848	S	*	5/2012	Wylie	.....	D1/199
D698,949	S	*	2/2014	Rozas Andreu	.....	D25/126
D701,366	S	*	3/2014	King et al.	.....	D1/199
D704,919	S	*	5/2014	Jacko et al.	.....	D1/199
2008/0022822	A1		1/2008	Jacko et al.		
2009/0202694	A1		8/2009	Julian et al.		
2013/0276604	A1		10/2013	King et al.		
2014/0007751	A1		1/2014	Michel et al.		

**OTHER PUBLICATIONS**

Brunner-Anliker product info on the IR 250 Industrial Food Processor, available at brunner-anliker.com, 6 pages, © Jul. 23, 2002.  
Brunner-Anliker technical data on the IR 250 Industrial Food Processor, available at brunner-anliker.com, 1 page, © Jul. 23, 2002.  
Brunner-Anliker color technical data on the IR-250 Industrial Food Processor, available at brunner-anliker.com, one page, © Jul. 23, 2002.

\* cited by examiner

*Primary Examiner* — Garth Rademaker

*Assistant Examiner* — Katie Mroczka

(74) *Attorney, Agent, or Firm* — Koppel, Patrick, Heybl & Philpott

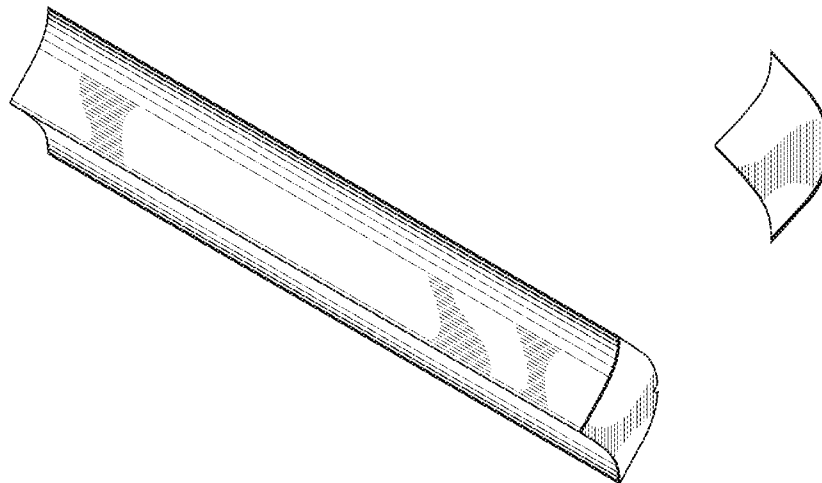
(57) **CLAIM**

The ornamental design for a shred, as shown and described.

**DESCRIPTION**

FIG. 1 is an isometric view of a new ornamental design for a shred;  
FIG. 2 is a top view of the shred of FIG. 1;  
FIG. 3 is a bottom view of the shred of FIG. 1;  
FIG. 4 is a right side elevational view, the left side elevational view being a mirror image thereof, of the shred of FIG. 1; and,  
FIG. 5 is a front elevational view of the shred of FIG. 1; and,  
FIG. 6 is a rear elevational view of the shred of FIG. 1.

**1 Claim, 2 Drawing Sheets**



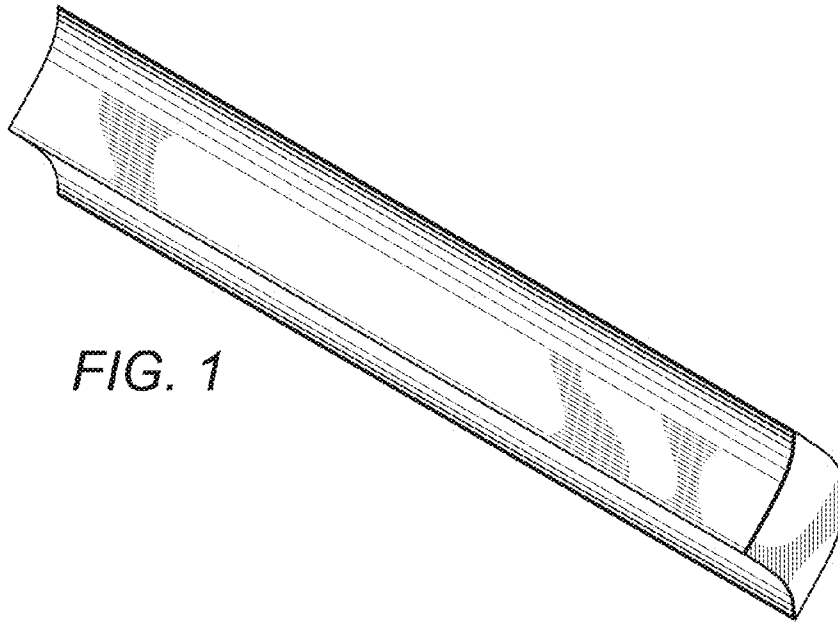
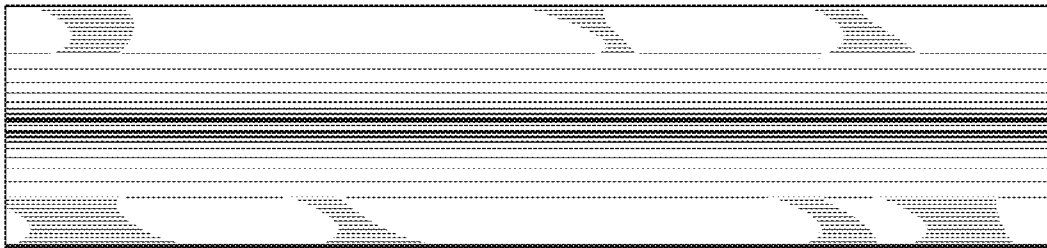


FIG. 1



FIG. 2

FIG. 3



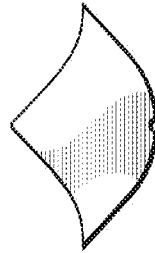


FIG. 4

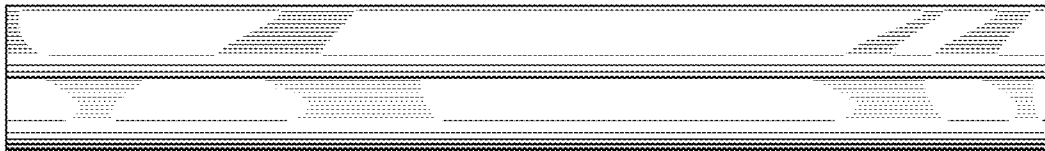


FIG. 5

FIG. 6

