

(19) World Intellectual Property Organization
International Bureau



(43) International Publication Date
4 January 2007 (04.01.2007)

PCT

(10) International Publication Number
WO 2007/002208 A3

(51) International Patent Classification:

F21V 7/04 (2006.01) H05B 39/00 (2006.01)
F21V 19/04 (2006.01) H05B 41/00 (2006.01)

(21) International Application Number:

PCT/US2006/024166

(22) International Filing Date: 20 June 2006 (20.06.2006)

(25) Filing Language: English

(26) Publication Language: English

(30) Priority Data:

60/692,117 20 June 2005 (20.06.2005) US
11/455,604 19 June 2006 (19.06.2006) US

(71) Applicant (for all designated States except US): **SAFE-EXITS, INC.** [US/US]; 1073 East Pheasant View Drive, Fruit Heights, Utah 84037 (US).

(72) Inventors; and

(75) Inventors/Applicants (for US only): **NIELSON, Lyman, O.** [US/US]; 1241 East 960 South, Fruit Heights, Utah 84037 (US). **HESS, Norm, B.** [US/US]; 1073 East Pheasant View Drive, Fruit Heights, Utah 84037 (US).

(74) Agent: **MADSON, Craig, J.**; MADSON & AUSTIN, 15 West South Temple, Suite 900, Salt Lake City, Utah 84101 (US).

(81) Designated States (unless otherwise indicated, for every kind of national protection available): AE, AG, AL, AM, AT, AU, AZ, BA, BB, BG, BR, BW, BY, BZ, CA, CH, CN, CO, CR, CU, CZ, DE, DK, DM, DZ, EC, EE, EG, ES, FI, GB, GD, GE, GH, GM, HN, HR, HU, ID, IL, IN, IS, JP, KE, KG, KM, KN, KP, KR, KZ, LA, LC, LK, LR, LS, LT, LU, LV, LY, MA, MD, MG, MK, MN, MW, MX, MZ, NA, NG, NI, NO, NZ, OM, PG, PH, PL, PT, RO, RS, RU, SC, SD, SE, SG, SK, SL, SM, SY, TJ, TM, TN, TR, TT, TZ, UA, UG, US, UZ, VC, VN, ZA, ZM, ZW.

(84) Designated States (unless otherwise indicated, for every kind of regional protection available): ARIPO (BW, GH, GM, KE, LS, MW, MZ, NA, SD, SL, SZ, TZ, UG, ZM, ZW), Eurasian (AM, AZ, BY, KG, KZ, MD, RU, TJ, TM), European (AT, BE, BG, CH, CY, CZ, DE, DK, EE, ES, FI, FR, GB, GR, HU, IE, IS, IT, LT, LU, LV, MC, NL, PL, PT, RO, SE, SI, SK, TR), OAPI (BF, BJ, CF, CG, CI, CM, GA, GN, GQ, GW, ML, MR, NE, SN, TD, TG).

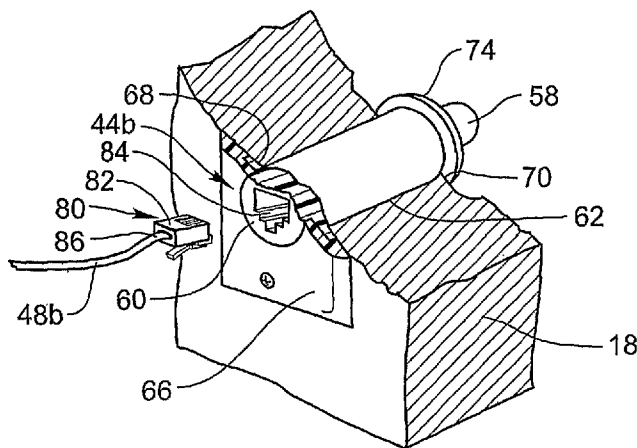
Published:

- with international search report
- before the expiration of the time limit for amending the claims and to be republished in the event of receipt of amendments

(88) Date of publication of the international search report:
6 December 2007

For two-letter codes and other abbreviations, refer to the "Guidance Notes on Codes and Abbreviations" appearing at the beginning of each regular issue of the PCT Gazette.

(54) Title: EMERGENCY AND LOW-LIGHTING SYSTEM



(57) Abstract: A new lighting system (40) is disclosed that may be used as an emergency lighting system, a night lighting system, and as a security lighting system. The lighting system includes a plurality of lights (44) that are installed in a building. These lights (44) are attached to low-voltages wires(48b). In turn, the wires (48) are attached to a control unit (54) which includes timers and a controller (120). The controller (12Q) is designed such that it may turn individual lights on and off at specified times during the day. Likewise, the system in constructed such that in the event of a power outage or other emergency, lights in the system will turn on and indicating to the building occupants where the building exits are located.

WO 2007/002208 A3

INTERNATIONAL SEARCH REPORT

International application No.

PCT/US06/24166

A. CLASSIFICATION OF SUBJECT MATTER

IPC: F21V 7/04(2006.01);F21V 19/04(2006.01);H05B 39/00(2006.01);H05B 41/00(2006.01)

USPC: 362/630,20;315/185R,312

According to International Patent Classification (IPC) or to both national classification and IPC

B. FIELDS SEARCHED

Minimum documentation searched (classification system followed by classification symbols)
U.S. : 362/630,20;315/185R,312

Documentation searched other than minimum documentation to the extent that such documents are included in the fields searched
NONE

Electronic data base consulted during the international search (name of data base and, where practicable, search terms used)
NONE

C. DOCUMENTS CONSIDERED TO BE RELEVANT

Category *	Citation of document, with indication, where appropriate, of the relevant passages	Relevant to claim No.
X	US 6, 424, 248 (TOM ET AL) 17 OCT 2000	1,3-5,7-9,15-18
Y	US 5,255,170(PLAMP ET AL) 16 DEC 1992	2, 10-14

Further documents are listed in the continuation of Box C.

See patent family annex.

* Special categories of cited documents:

"A" document defining the general state of the art which is not considered to be of particular relevance

"T" later document published after the international filing date or priority date and not in conflict with the application but cited to understand the principle or theory underlying the invention

"E" earlier application or patent published on or after the international filing date

"X" document of particular relevance; the claimed invention cannot be considered novel or cannot be considered to involve an inventive step when the document is taken alone

"L" document which may throw doubts on priority claim(s) or which is cited to establish the publication date of another citation or other special reason (as specified)

"Y" document of particular relevance; the claimed invention cannot be considered to involve an inventive step when the document is combined with one or more other such documents, such combination being obvious to a person skilled in the art

"O" document referring to an oral disclosure, use, exhibition or other means

"P" document published prior to the international filing date but later than the priority date claimed

"&" document member of the same patent family

Date of the actual completion of the international search

25 September 2007 (25.09.2007)

Date of mailing of the international search report

04 OCT 2007

Name and mailing address of the ISA/US

Mail Stop PCT, Attn: ISA/US
Commissioner of Patents
P.O. Box 1450
Alexandria, Virginia 22313-1450

Authorized officer

Minh A

Telephone No. 571-272-1817

Facsimile No. (571) 273-3201