



US00D623448S

(12) **United States Design Patent**
Galati, Jr. et al.

(10) **Patent No.:** **US D623,448 S**

(45) **Date of Patent:** **** *Sep. 14, 2010**

(54) **FOOT SPA LEG REST**

(75) Inventors: **Joseph J. Galati, Jr.**, Brookfield, WI
(US); **John Meyerovich**, Bal Harbour,
FL (US)

(73) Assignee: **Continuum Footspas, LLC**, New
Berlin, WI (US)

(**) Term: **14 Years**

(21) Appl. No.: **29/348,559**

(22) Filed: **Jan. 19, 2010**

(51) **LOC (9) Cl.** **06-01**

(52) **U.S. Cl.** **D6/501**

(58) **Field of Classification Search** D6/330,
D6/335-338, 340, 349-355, 358, 359, 364,
D6/366, 376, 491, 495, 500-502; 297/16.1,
297/39, 46, 135, 140, 156, 158.3, 158.4,
297/175, 177, 187, 195.1, 195.11, 211, 245,
297/423.1, 423.16, 445.1, 461, 462; D23/277,
D23/289; D24/204

See application file for complete search history.

(56) **References Cited**

U.S. PATENT DOCUMENTS

1,362,692	A *	12/1920	Goldstein	248/600
2,248,369	A *	7/1941	Ludersen	248/371
2,473,947	A *	6/1949	Hamstrom	297/423.45
D166,402	S	4/1952	Manne et al.		
D167,675	S *	9/1952	Chancellor	D6/336
3,633,967	A *	1/1972	Timmins	297/423.45
D227,952	S	7/1973	Costabile et al.		
3,881,471	A	5/1975	Grube		
D262,911	S *	2/1982	Weddell	D24/183
D282,609	S	2/1986	Stulik		
D288,993	S	3/1987	Grimsrud		
4,767,160	A *	8/1988	Mengshoel et al.	297/423.12
D327,176	S *	6/1992	Gil	D6/335
D339,012	S *	9/1993	Sexton	D6/501
D346,043	S	4/1994	Galati, Jr. et al.		
D352,401	S *	11/1994	Bonazza	D6/336
5,593,212	A *	1/1997	Praria et al.	297/423.44

D391,408	S	3/1998	Lee		
D424,819	S	5/2000	Galati, Jr. et al.		
D429,380	S *	8/2000	Fontier et al.	D28/56
D434,916	S	12/2000	Galati, Jr. et al.		
D435,371	S	12/2000	Galati, Jr. et al.		
D450,390	S	11/2001	Tran		
6,503,212	B2	1/2003	Park		
D479,919	S *	9/2003	Genelli et al.	D6/336
6,732,387	B1	5/2004	Waldron		
D498,599	S	11/2004	Luong		
6,874,184	B2 *	4/2005	Chandler	5/648
6,880,182	B2	4/2005	Gruenwald		
D508,616	S	8/2005	Ziliani		

(Continued)

OTHER PUBLICATIONS

AmeriSpa web pages, printed in 2007, 6 pages (<http://www.amerispas.com/main.html>).

(Continued)

Primary Examiner—Sandra Snapp
(74) *Attorney, Agent, or Firm*—Ryan Kromholz & Manion,
S.C.

(57) **CLAIM**

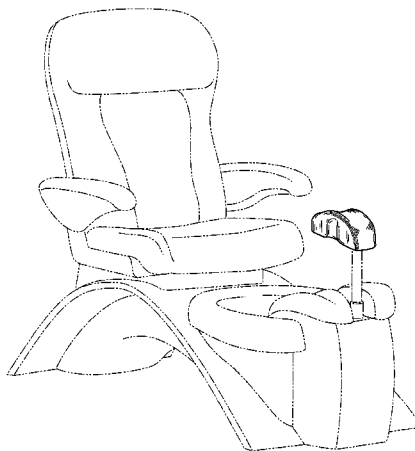
The ornamental design for a foot spa leg rest, as shown and described.

DESCRIPTION

FIG. 1 is a perspective view of our foot spa leg rest;
FIG. 2 is a another perspective view;
FIG. 3 is a right side elevation view;
FIG. 4 is a left side elevation view;
FIG. 5 is a top plan view;
FIG. 6 is a bottom plan view;
FIG. 7 is a front elevation view; and,
FIG. 8 is a rear elevation view.

The broken lines shown in the drawings are for illustrative purposes only and form no part of the claimed design.

1 Claim, 3 Drawing Sheets



U.S. PATENT DOCUMENTS

D509,371	S	9/2005	Natuzzi	
D526,505	S	8/2006	Gruenwald et al.	
D531,420	S	11/2006	Kita	
7,168,107	B2	1/2007	Gruenwald	
D541,060	S	4/2007	Fugate et al.	
7,228,579	B2 *	6/2007	Tidwell	5/624
D548,987	S	8/2007	McNae	
D549,999	S	9/2007	Fugate et al.	
D559,570	S	1/2008	Higgs et al.	
7,322,949	B2 *	1/2008	Shimizu	601/90
D562,575	S	2/2008	Le	
D568,485	S	5/2008	Ton	
D569,986	S	5/2008	Ton	
D571,018	S	6/2008	Ton et al.	
D574,502	S	8/2008	Ton	
D576,806	S	9/2008	Le	
D576,807	S	9/2008	Le	
D583,957	S	12/2008	Bromilow	
D588,707	S	3/2009	Mai et al.	
D592,312	S	5/2009	Cheng	
D596,417	S *	7/2009	Bowen	D6/353
7,669,934	B1 *	3/2010	Cline	297/423.45
2004/0177438	A1	9/2004	Gruenwald et al.	
2004/0244107	A1	12/2004	Waldron	
2005/0183198	A1	8/2005	Gruenwald	
2007/0226896	A1	10/2007	Fugate et al.	
2007/0226897	A1	10/2007	Fugate	

OTHER PUBLICATIONS

Belvedere Company web pages, printed in 2007, 7 pages (<http://www.belvedere.com/home.aspx>).

European Touch web pages, printed in 2007, 8 pages (<http://europeantouch.com>).

Gulstream Plastics Ltd. web pages, printed in 2007, 7 pages (<http://www.gulstreamplastic.com>).

J&A USA web pages, printed in 2007, 10 pages. (<http://www.jausainc.com>).

Lexor Footspas Inc. web pages, printed in 2007, 3 pages (<http://www.lexorinc.com>).

Salon Equipment, Inc. web pages, printed in 2007, 4 pages (<http://www.oasis-se.com/spas/>).

ProSpa Inc., web pages, printed in 2007, 2 pages (<http://www.prospatcom/>).

Salon Tech, web pages, printed in 2007, 2 pages (<http://www.salontech.com/st2007/>).

Skyline Beauty Supply Corp. - Whale Spa, web pages, printed Mar. 20, 2008, 6 pages (<http://skylinebeautysupply.com>).

Vnf International, web pages, printed Mar. 20, 2008, 6 pages (<http://www.pssnell-service.com/Manufacturer.htm>).

T4 Spa Concepts & Design, web pages, printed Mar. 20, 2008, 7 pages (<http://www.t4spa.com>).

Spa Zi, Division of LC Corp., web pages, printed Mar. 20, 2008, 4 pages (<http://www.thespazi.com>).

SANJET - Pipeless Pedicure Equipment, web pages, printed Mar. 20, 2008, 2 pages (http://www.sanijet.com/Products_Pedicure.aspx).

Aqua Spas, web pages, printed Mar. 20, 2008, 3 pages (<http://aquaspa1.com>).

Beauty Mall Ltd., web pages, printed Mar. 20, 2008, 6 pages (<http://beautymallltd.com>).

Euro Spa, web page, printed Mar. 20, 2008, 1 page (<http://www.princesspedicurespas.com/manufacturer/eurospa.html#bella320>).

* cited by examiner

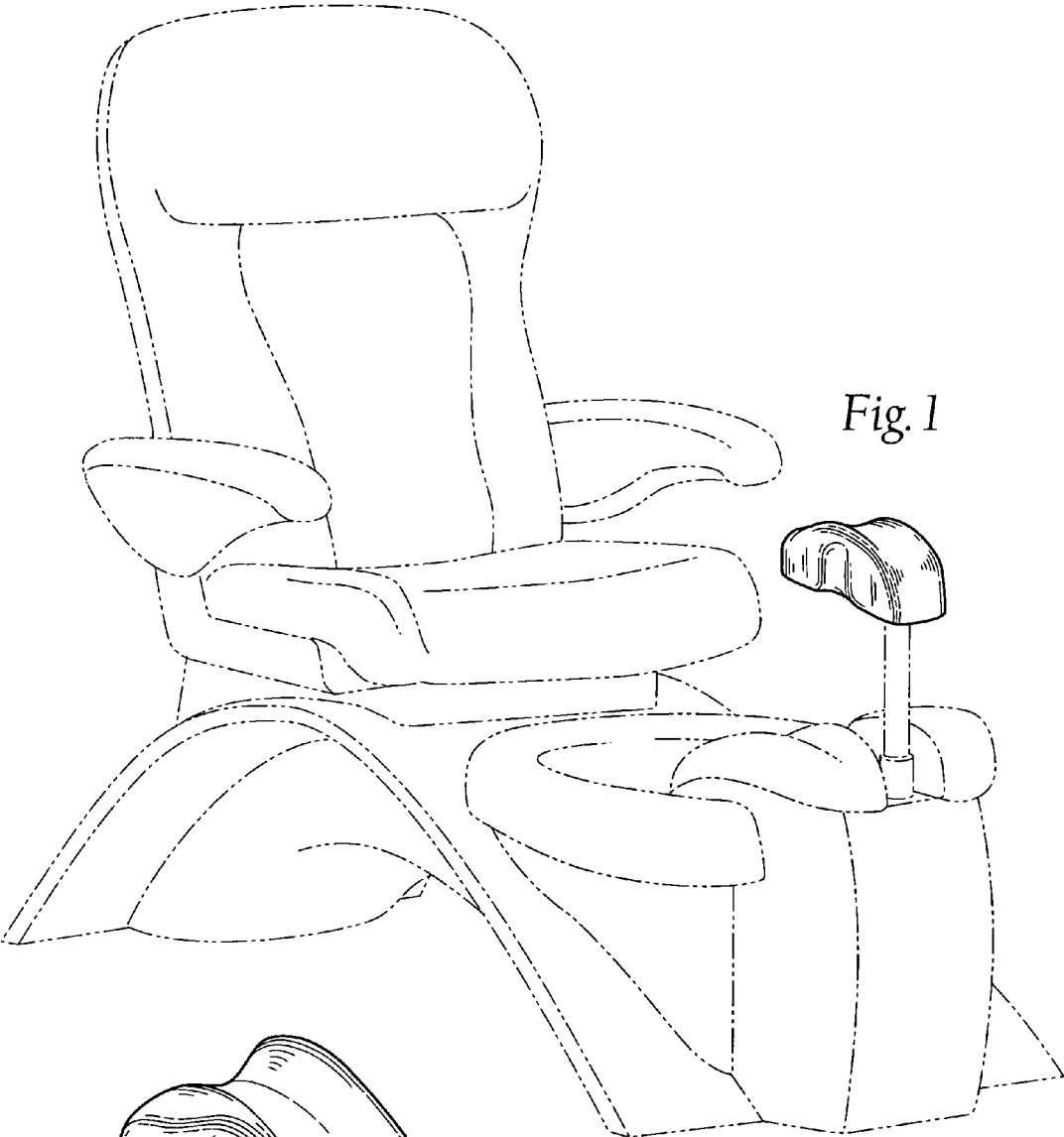


Fig. 1

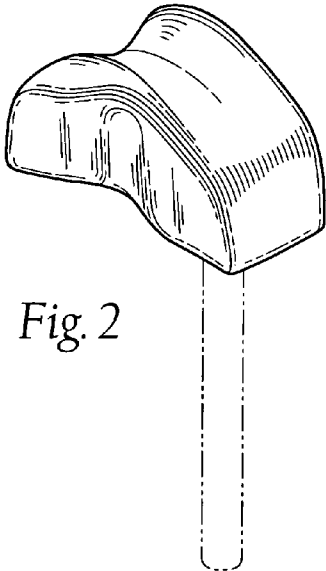


Fig. 2

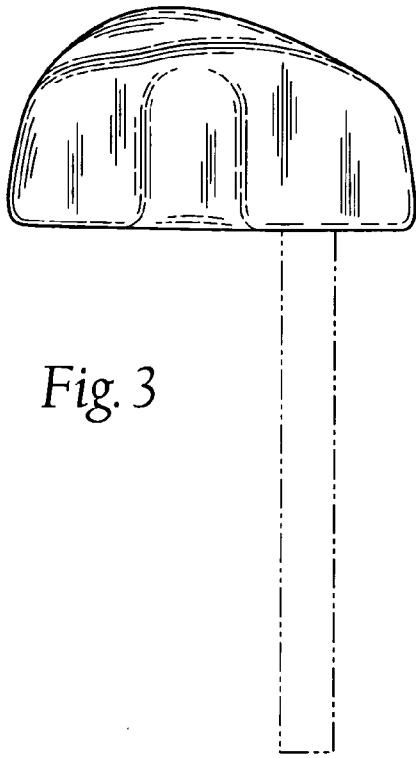


Fig. 3

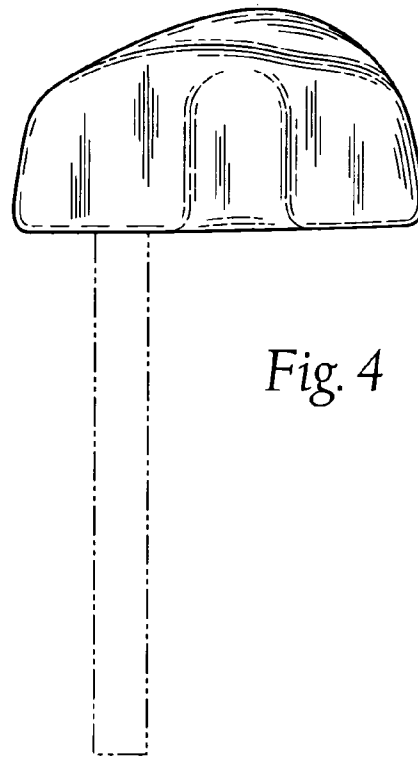


Fig. 4

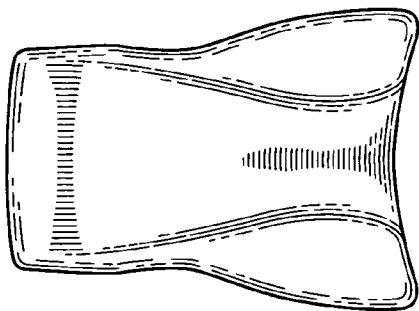


Fig. 5

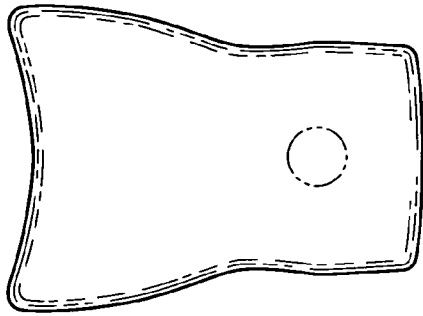


Fig. 6

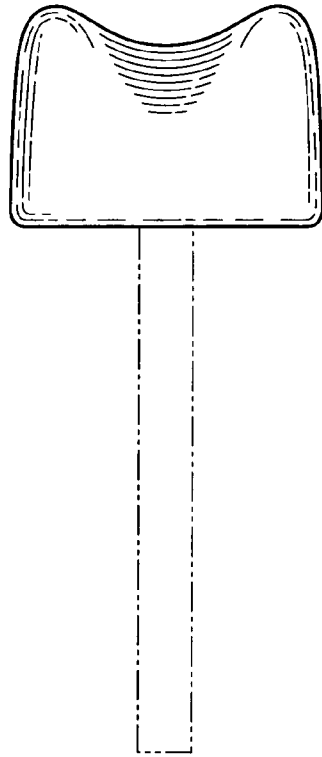


Fig. 7

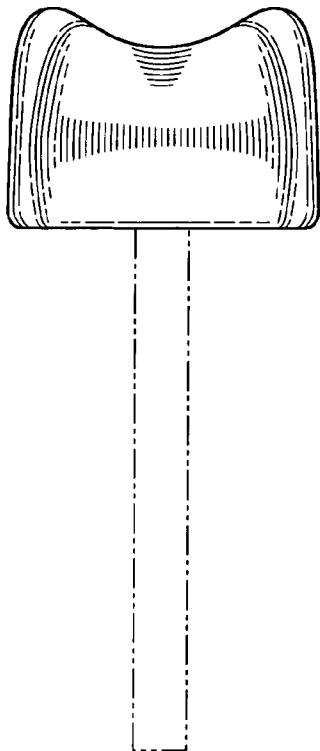


Fig. 8