



US00D993442S

(12) **United States Design Patent**  
**Fuller et al.**

(10) **Patent No.:** **US D993,442 S**

(45) **Date of Patent:** **\*\* \*Jul. 25, 2023**

- (54) **PIPETTE**
- (71) Applicant: **Reflex Medical Corp.**, North St. Paul, MN (US)
- (72) Inventors: **Kevin S. Fuller**, Chaska, MN (US); **Wayde J. Altendorf**, Hickson, ND (US)

- 4,072,330 A \* 2/1978 Brysch ..... B01L 3/0217 285/332
- D252,586 S \* 8/1979 Kovach ..... D24/114
- D304,076 S \* 10/1989 Primiano ..... D24/113
- 5,259,956 A \* 11/1993 Mercer ..... B01D 35/02 222/206
- D342,313 S \* 12/1993 Hood ..... D24/146
- D357,324 S \* 4/1995 Bartal ..... D7/901

(Continued)

(\* ) Notice: This patent is subject to a terminal disclaimer.

**FOREIGN PATENT DOCUMENTS**

(\*\*) Term: **15 Years**

EM 002703793-0001 \* 5/2015

(21) Appl. No.: **29/782,613**

**OTHER PUBLICATIONS**

(22) Filed: **May 7, 2021**

15ml recycled long nozzle plastic squeeze Pharmaceutical vaginal gel tube packaging. Online, published date unknown. Retrieved on Sep. 2, 2022 from URL: [https://www.alibaba.com/product-detail/15ml-recycled-long-nozzle-plastic-squeeze\\_1600081353843.html](https://www.alibaba.com/product-detail/15ml-recycled-long-nozzle-plastic-squeeze_1600081353843.html).\*

(51) **LOC (14) Cl.** ..... **24-02**

(52) **U.S. Cl.**  
USPC ..... **D24/222**

(58) **Field of Classification Search**  
USPC ..... D24/108, 112-115, 117, 121, 133, 216, D24/222-226; D9/695-699  
CPC ..... B01L 3/02; B01L 3/0289; B01L 3/0293; B01L 3/0268; B01L 3/0275; B01L 3/0279; B01L 3/14; B01L 3/508-50825; B01L 3/52-523; B01F 13/0025; B01J 2219/00292; B01J 2220/64  
See application file for complete search history.

*Primary Examiner* — Omeed Agilee  
(74) *Attorney, Agent, or Firm* — Christensen, Fonder, Dardi & Herbert PLLC; Douglas J. Christensen

(57) **CLAIM**

We claim the ornamental design for a pipette, as shown and described.

(56) **References Cited**

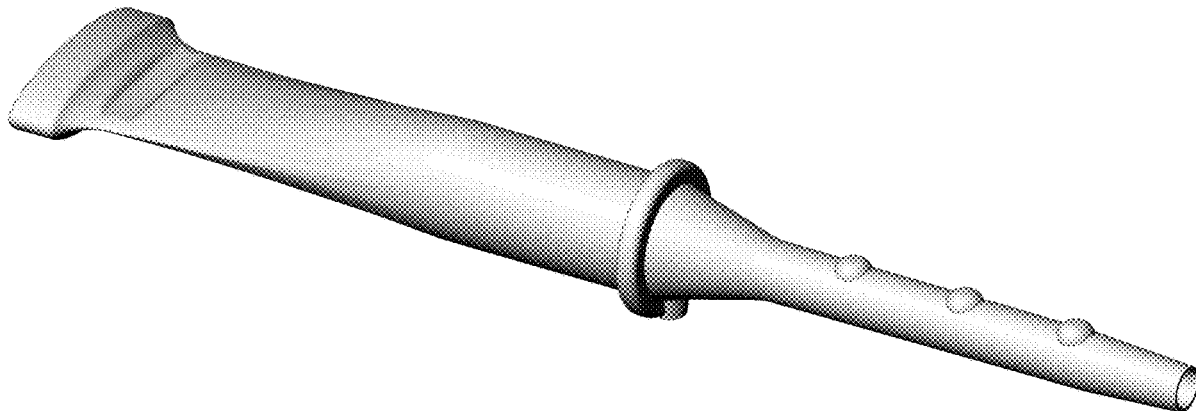
**DESCRIPTION**

**U.S. PATENT DOCUMENTS**

- D123,312 S \* 10/1940 Peo et al. .... D9/697
- 2,218,899 A \* 10/1940 Warren ..... B01L 3/0217 422/923
- D128,406 S \* 7/1941 Soontup et al. .... D9/518
- 2,984,452 A \* 5/1961 Hooper ..... B05B 1/3013 251/303
- 3,211,342 A \* 10/1965 Miles ..... B65D 35/18 D9/683
- 3,269,603 A \* 8/1966 Reimann ..... B65D 35/28 D9/434

FIG. 1 is a front view of a pipette, showing our new design; FIG. 2 is a left side view of the pipette shown in FIG. 1; FIG. 3 is a rear side view of the pipette shown in FIG. 1; FIG. 4 is a right side view of the pipette shown in FIG. 1; FIG. 5 is a top view of the pipette shown in FIG. 1; FIG. 6 is a bottom view of the pipette shown in FIG. 1; FIG. 7 is a perspective view of the pipette shown in FIG. 1; and, FIG. 8 is a perspective view of the pipette shown in FIG. 1.

**1 Claim, 8 Drawing Sheets**



(56)

**References Cited**

U.S. PATENT DOCUMENTS

6,021,680	A *	2/2000	Inagaki .....	B01L 3/0231 73/864.01
D619,251	S *	7/2010	Justiniano-Garcia .....	A61B 17/32053 D24/147
D652,739	S *	1/2012	Komai .....	D9/697
D666,920	S *	9/2012	Chen .....	D9/697
D673,291	S *	12/2012	Knight .....	D24/222
2014/0186235	A1 *	7/2014	Kwak .....	B01L 3/021 422/520

\* cited by examiner

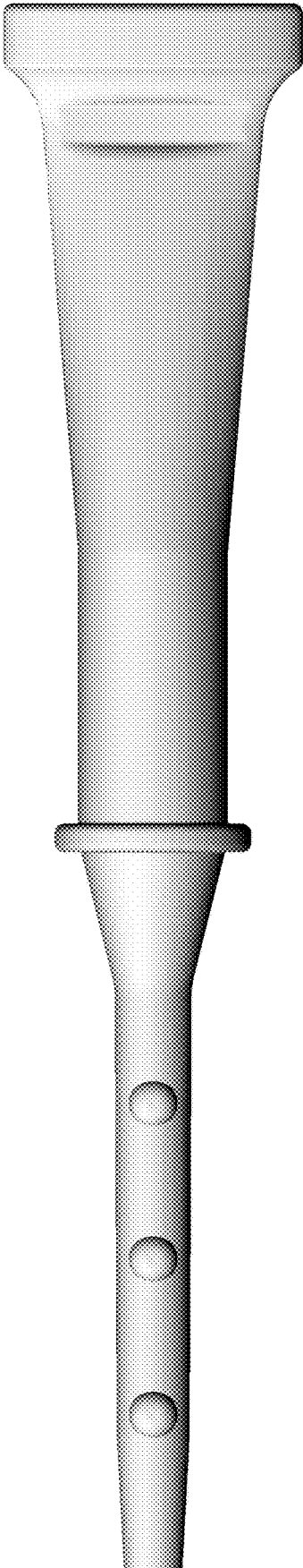


FIG. 1

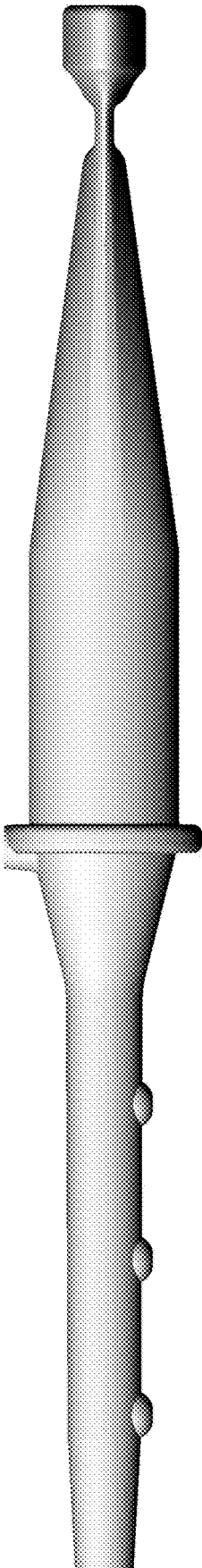


FIG. 2

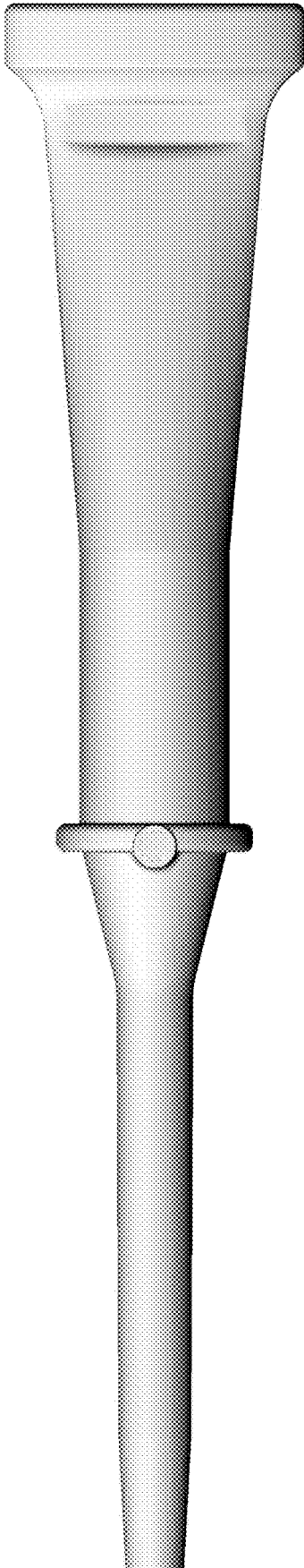


FIG. 3

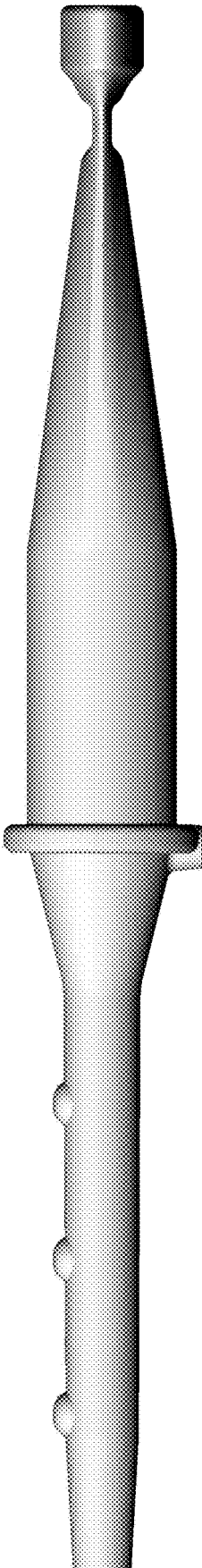


FIG. 4

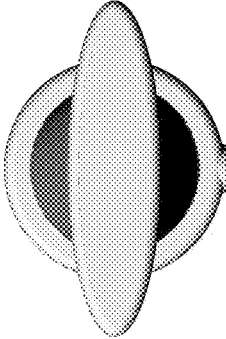


FIG. 5

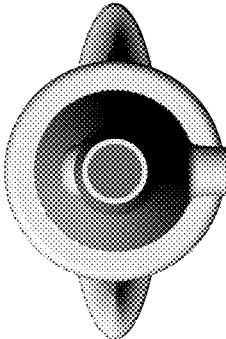


FIG. 6

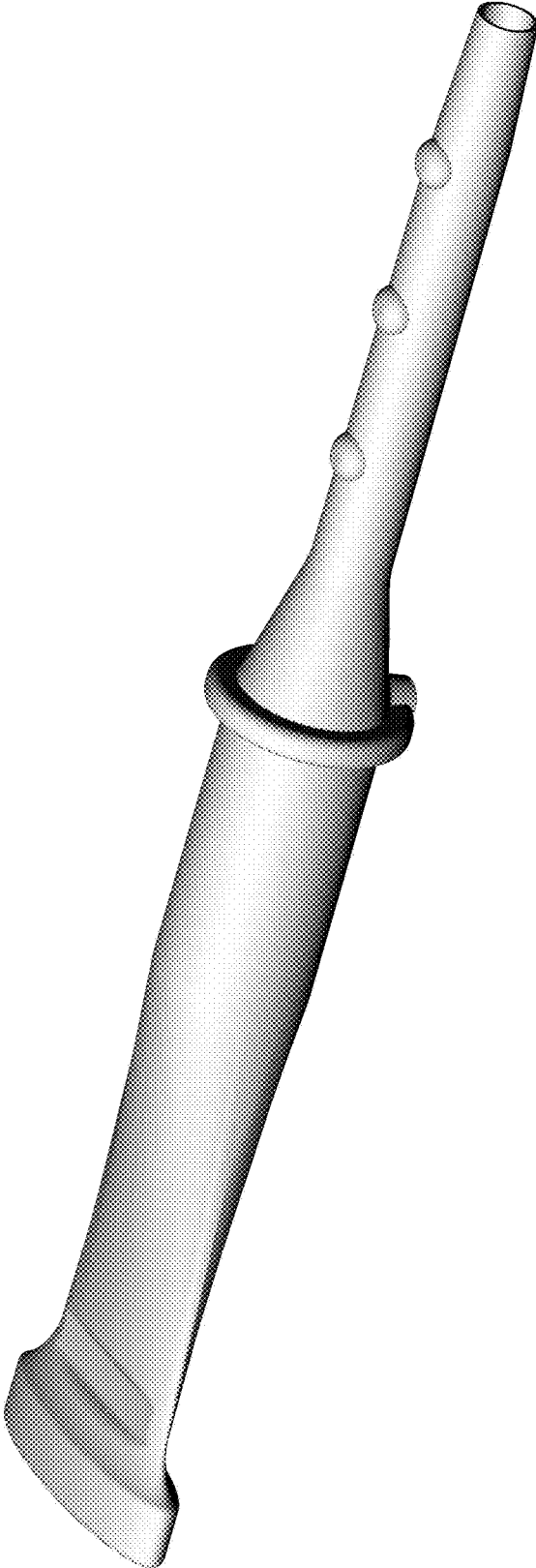


FIG. 7

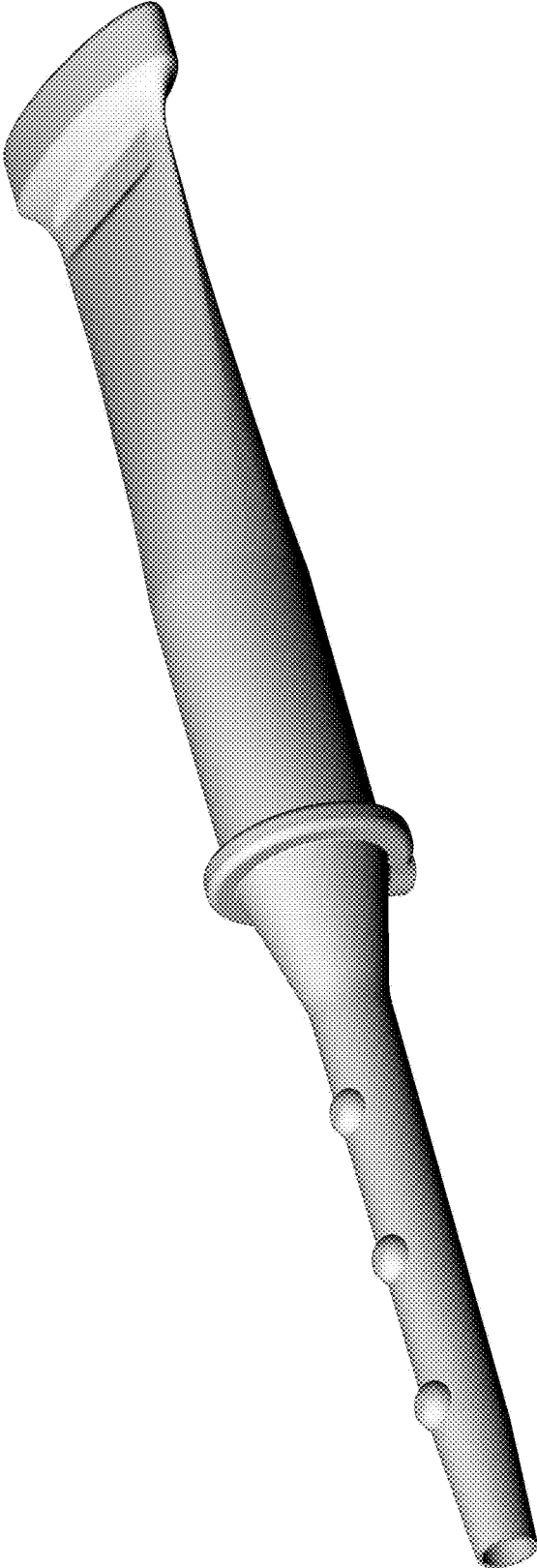


FIG. 8