



US00D961925S

(12) **United States Design Patent**
Kachian

(10) **Patent No.:** **US D961,925 S**

(45) **Date of Patent:** **** Aug. 30, 2022**

- (54) **CHILD-RESISTANT CONTAINER**
- (71) Applicant: **More Agency, Inc.**, Van Nuys, CA (US)
- (72) Inventor: **Ruben Kachian**, Van Nuys, CA (US)
- (73) Assignee: **Raymond Christopher Enterprises LLC**, Livonia, MI (US)
- (**) Term: **15 Years**
- (21) Appl. No.: **29/720,771**
- (22) Filed: **Jan. 15, 2020**
- (51) **LOC (13) Cl.** **03-01**
- (52) **U.S. Cl.**
USPC **D3/294**
- (58) **Field of Classification Search**
USPC D3/203.1–203.8, 206, 262, 273, 294,
D3/299–301, 303; D19/106; D27/172,
D27/185–186, 189–191; D99/28, 43
CPC B65D 50/04; B65D 50/00; B65D 55/04;
B65D 43/16; B65D 25/14; B65D 11/00;
B65D 11/16
See application file for complete search history.

- D644,510 S * 9/2011 Fine D9/426
- D666,773 S * 9/2012 Greenfield D28/83
- D681,937 S * 5/2013 Peterson D3/203.6
- D863,677 S * 10/2019 Chung D27/172
- D930,973 S * 9/2021 Marshall D3/203.3
- 11,220,380 B2 * 1/2022 Kachian B65D 5/38

(Continued)

FOREIGN PATENT DOCUMENTS

- EM 006714648-0001 * 10/2019
- GB 9006714648-0001 * 8/2019

OTHER PUBLICATIONS

Child Resistant Square Tin box, unknown first available date, kushpackagingproducts.com, [online] [site visited Dec. 27, 2021], Available at URL: <https://www.kushpackagingproducts.com/child-resistant-tins/child-resistant-square-tin-box.html> (Year: 2021).*

(Continued)

Primary Examiner — Michelle E. Wilson
Assistant Examiner — Caitlin A Laverty
(74) *Attorney, Agent, or Firm* — Lowry Blixseth APC;
Scott M. Lowry

(57) **CLAIM**

The ornamental design for a child-resistant container, as shown.

DESCRIPTION

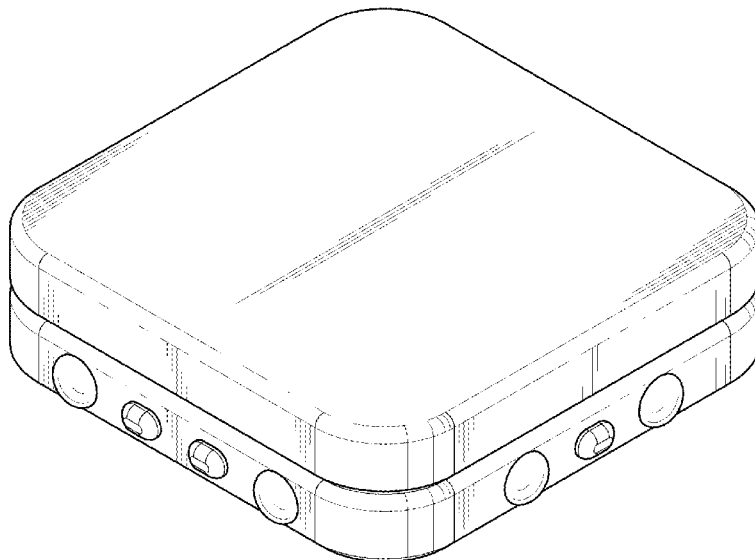
FIG. 1 is a perspective view showing the front, top and right sides of the child-resistant container;
FIG. 2 is a front elevation view thereof;
FIG. 3 is a rear elevation view thereof;
FIG. 4 is a right side elevation view thereof;
FIG. 5 is a left side elevation view thereof;
FIG. 6 is a top plan view thereof; and,
FIG. 7 is a bottom plan view thereof.

1 Claim, 5 Drawing Sheets

(56) **References Cited**

U.S. PATENT DOCUMENTS

- D285,177 S * 8/1986 Goetz D28/83
- D285,414 S * 9/1986 Goetz D28/83
- D386,306 S * 11/1997 Zimmerman D3/273
- D386,307 S * 11/1997 Naas D3/273
- D396,004 S * 7/1998 Srinual D3/294
- D418,978 S * 1/2000 Pennoyer, Jr. D3/273
- D425,294 S * 5/2000 Haverstick D3/203.1
- D449,161 S * 10/2001 Gillespie D3/276
- D474,596 S * 5/2003 Osiecki D3/273
- D497,074 S * 10/2004 Dardashti D6/407
- D565,842 S * 4/2008 Falcone D3/294
- D572,425 S * 7/2008 Themistos D99/28
- D642,908 S * 8/2011 Fine D9/426



(56)

References Cited

U.S. PATENT DOCUMENTS

2014/0001194 A1* 1/2014 Pipes A61J 1/035
221/1
2020/0039707 A1* 2/2020 Kachian B65D 50/046
2020/0407131 A1* 12/2020 Lei B65D 43/0212
2021/0039848 A1* 2/2021 Kachian B65D 5/38
2021/0221573 A1* 7/2021 Salemi B65D 43/22
2022/0041351 A1* 2/2022 Lei B65D 50/046

OTHER PUBLICATIONS

V1A, unknown first available date, thepkgco.com [online] [site visited Dec. 27, 2021], Available at URL: <https://www.thepkgco.com/product/v1a-tin/> (Year: 2021).*

Metal child resistance tin box . . . , unknown first available date, alibaba.com [online] [site visited Dec. 27, 2021], Available at URL: https://www.alibaba.com/product-detail/Metal-child-resistance-tin-box-US_62074097201.html (Year: 2021).*

Factory Wholesale Printed Proof Resistant . . . , unknown first available date, alibaba.com [online] [site visited Dec. 27, 2021], Available at URL: https://www.alibaba.com/product-detail/Factory-Wholesale-Printed-Proof-Resistant-Child_1600082610562.html?spm=a2700.wholesale.0.0.5a874479SCwXGv (Year: 2021).*

CR certificated In Stock Airtight Waterproof Child Resistant . . . , unknown first available date, alibaba.com [online][site visited Dec. 27, 2021], Available at URL: https://www.alibaba.com/product-detail/Wholesale-Airtight-Waterproof-Child-Resistant-tins_60343406473.html?spm=a2700.wholesale.0.0.5a874479tdrox6 (Year: 2021).*

* cited by examiner

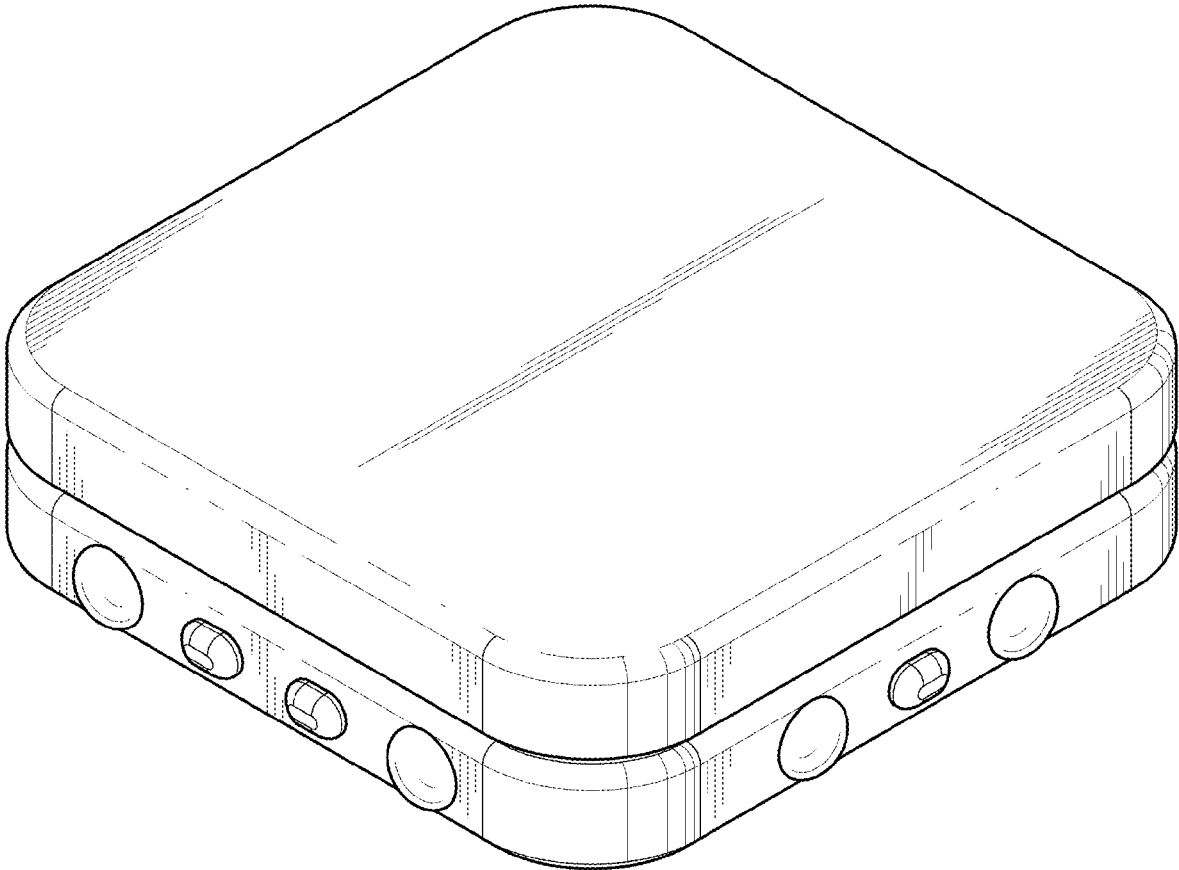


FIG. 1

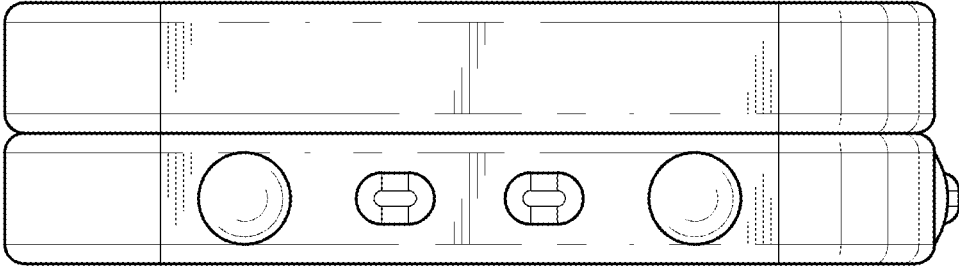


FIG. 2

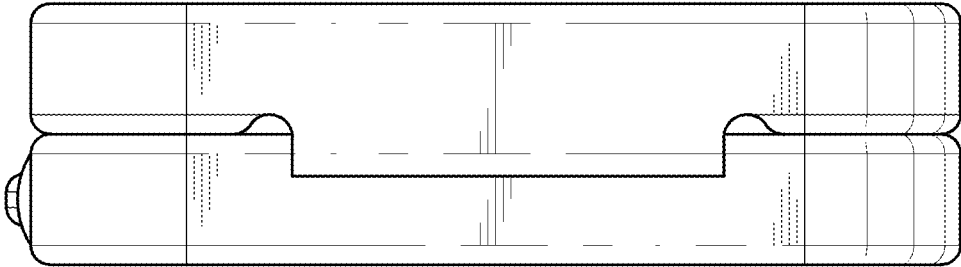


FIG. 3

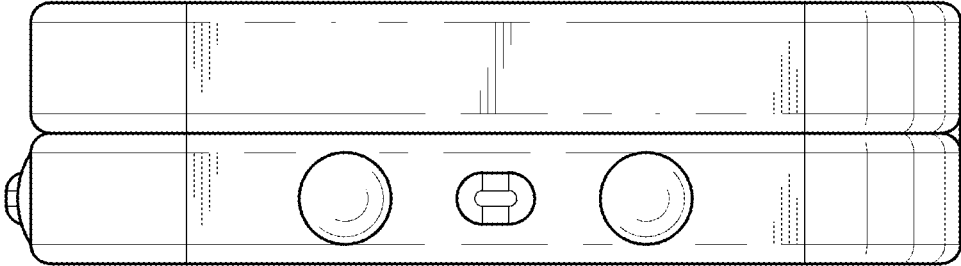


FIG. 4

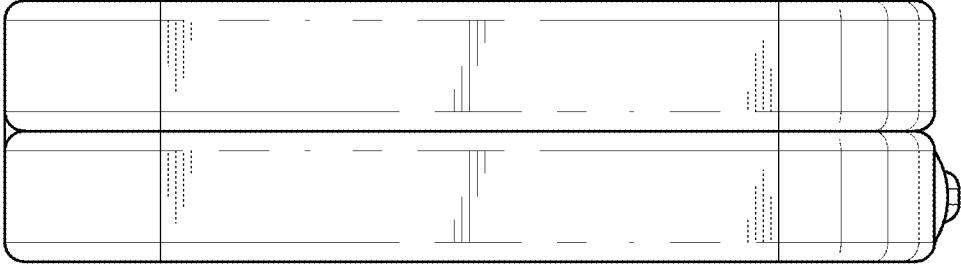


FIG. 5

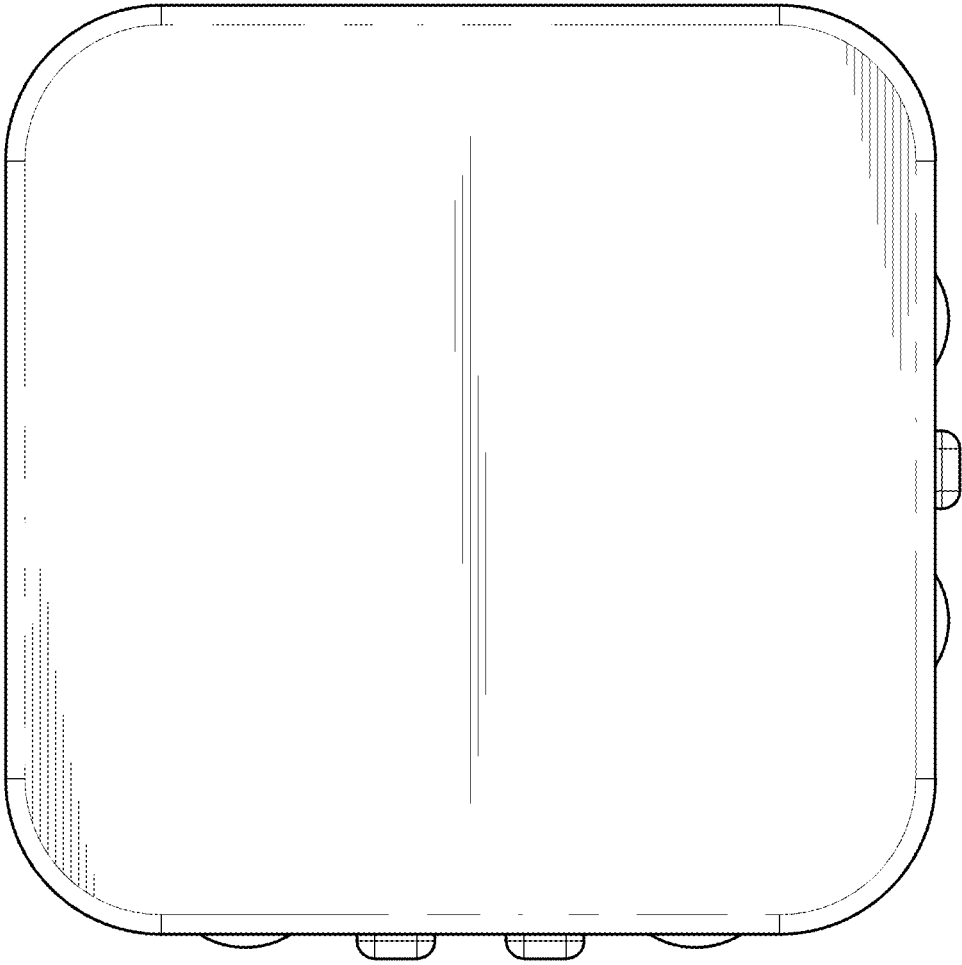


FIG. 6



FIG. 7