



US0D1004489S

(12) **United States Design Patent**  
**McAllister**

(10) **Patent No.:** **US D1,004,489 S**

(45) **Date of Patent:** **\*\* Nov. 14, 2023**

(54) **MOTORCYCLE ENGINE CASE GUARD**

D911,881 S \* 3/2021 Lindloff ..... B62J 25/00  
D12/126  
D923,585 S \* 6/2021 Stalter ..... D13/156  
D932,880 S \* 10/2021 Trammell ..... D8/373  
D947,004 S \* 3/2022 Pavlov ..... D8/354  
D965,414 S \* 10/2022 Myers ..... D8/354  
D968,375 S \* 11/2022 Petros ..... D14/230

(71) Applicant: **Daniel J. McAllister**, Woodstock, GA  
(US)

(72) Inventor: **Daniel J. McAllister**, Woodstock, GA  
(US)

(\*\*) Term: **15 Years**

(21) Appl. No.: **29/817,397**

(22) Filed: **Dec. 1, 2021**

(51) **LOC (14) Cl.** ..... **12-11**

(52) **U.S. Cl.**

USPC ..... **D12/126**

(58) **Field of Classification Search**

USPC ..... D12/110, 114, 117, 126, 185, 186, 223;  
D8/349, 371, 380, 381, 384, 394;  
D14/238

CPC ... B62J 11/00; B62J 13/00; B62J 17/00; B62J  
23/00; B62J 41/00; B62K 11/02; B62K  
11/04; E04F 2201/021; E04F 2201/023;  
E04F 2201/025; A47B 2097/00; A47B  
97/005; A47G 23/0616; A47G 23/0633

See application file for complete search history.

(56) **References Cited**

**U.S. PATENT DOCUMENTS**

D274,803 S \* 7/1984 Hughes ..... D15/5  
D394,632 S \* 5/1998 Miller ..... D12/223  
D398,283 S \* 9/1998 Miller ..... D12/223  
D427,888 S \* 7/2000 Hannon ..... D8/354  
D567,150 S \* 4/2008 Woodin ..... D12/126  
7,464,954 B2 \* 12/2008 Grow ..... B62J 23/00  
280/304.3  
D609,553 S \* 2/2010 Koizumi ..... D8/354  
D624,854 S \* 10/2010 Burns ..... D12/126  
D637,529 S \* 5/2011 Burns ..... D12/126  
D805,889 S \* 12/2017 Elliott ..... D8/499  
D831,031 S \* 10/2018 Burch, V ..... D14/453  
D904,172 S \* 12/2020 Jenkins ..... D8/354

**OTHER PUBLICATIONS**

Traxxion Dynamics Engine Case Guard Honda Goldwing, Mar. 25,  
2022, Youtube [online], [Site Visit Jun. 7, 2023], URL: <https://www.youtube.com/watch?v=tCAJMpKjRfo> (Year: 2022).\*

(Continued)

*Primary Examiner* — Calvin E Vansant

*Assistant Examiner* — Giang Hoang Tran

(74) *Attorney, Agent, or Firm* — Hanrahan Law Firm,  
P.A.; Benjamin M. Hanrahan

(57) **CLAIM**

The ornamental design for a motorcycle engine case guard,  
as shown and described.

**DESCRIPTION**

FIG. 1 is a top-front perspective view illustrating my design  
for a motorcycle engine case guard.

FIG. 2 is a top-rear perspective view thereof.

FIG. 3 is a left-side view thereof.

FIG. 4 is a bottom view thereof.

FIG. 5 is a front view thereof.

FIG. 6 is a rear view thereof.

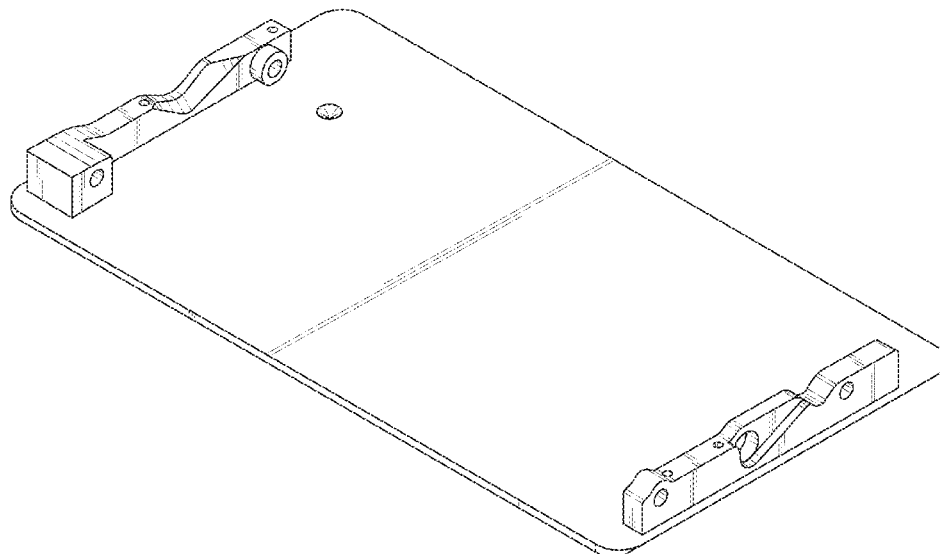
FIG. 7 is a right-side view thereof.

FIG. 8 is a top view thereof; and,

FIG. 9 is a bottom perspective view thereof.

The broken lines in FIGS. 4 and 9 representing fasteners  
show portions of the article that form no part of the claimed  
design.

**1 Claim, 6 Drawing Sheets**



(56)

**References Cited**

U.S. PATENT DOCUMENTS

D969,677 S \* 11/2022 Smith ..... D8/382  
D969,913 S \* 11/2022 Mayhew ..... D20/8

OTHER PUBLICATIONS

Honda Goldwing Engine Case Guard, Traxxion Dynamics Webpage  
[online], [Site Visit Jun. 7, 2023], URL: [https://traxxion.com/product/  
2018-honda-goldwing-engine-case-guard/](https://traxxion.com/product/2018-honda-goldwing-engine-case-guard/) (Year: 2023).\*

\* cited by examiner

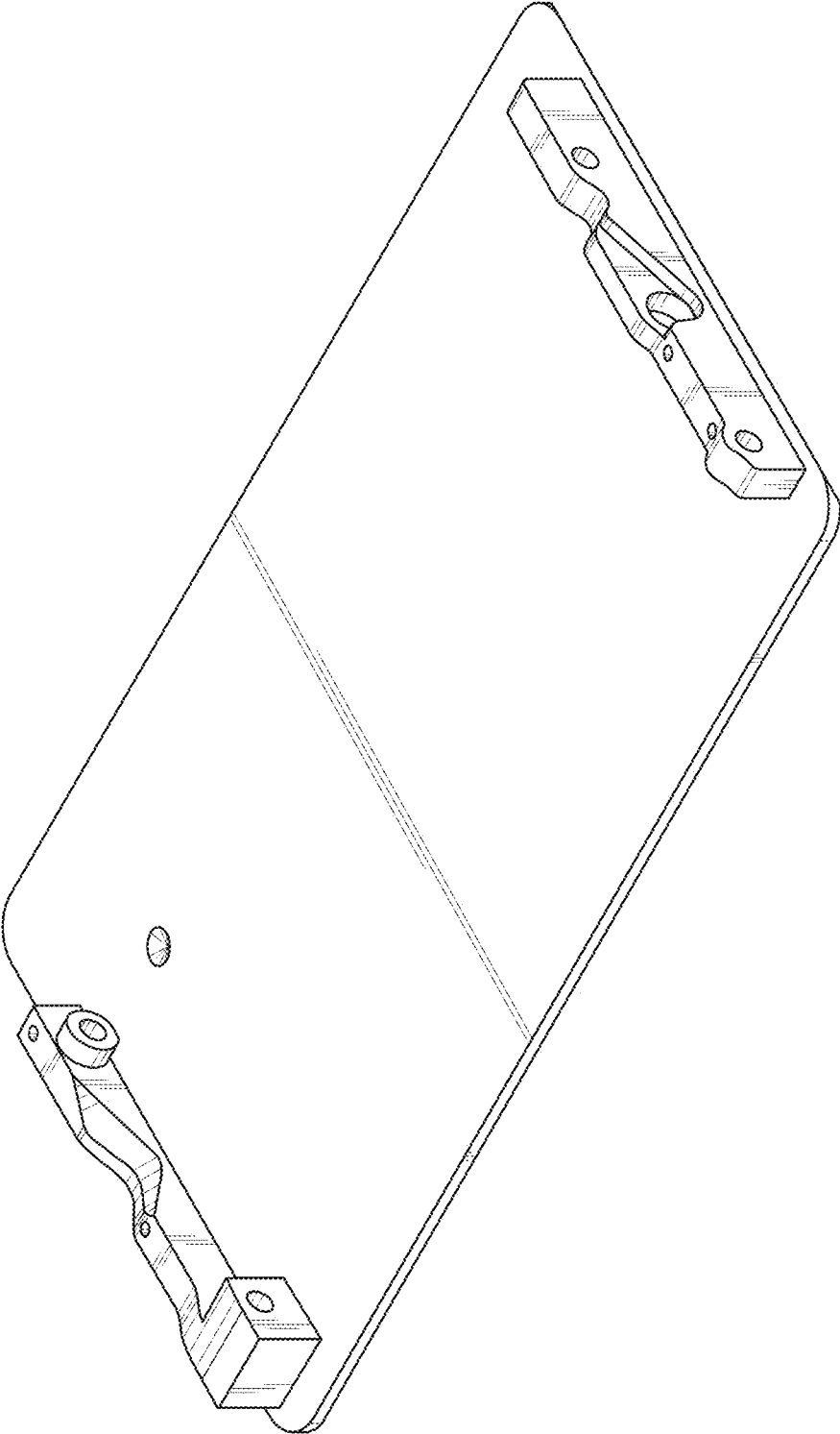


FIG. 1

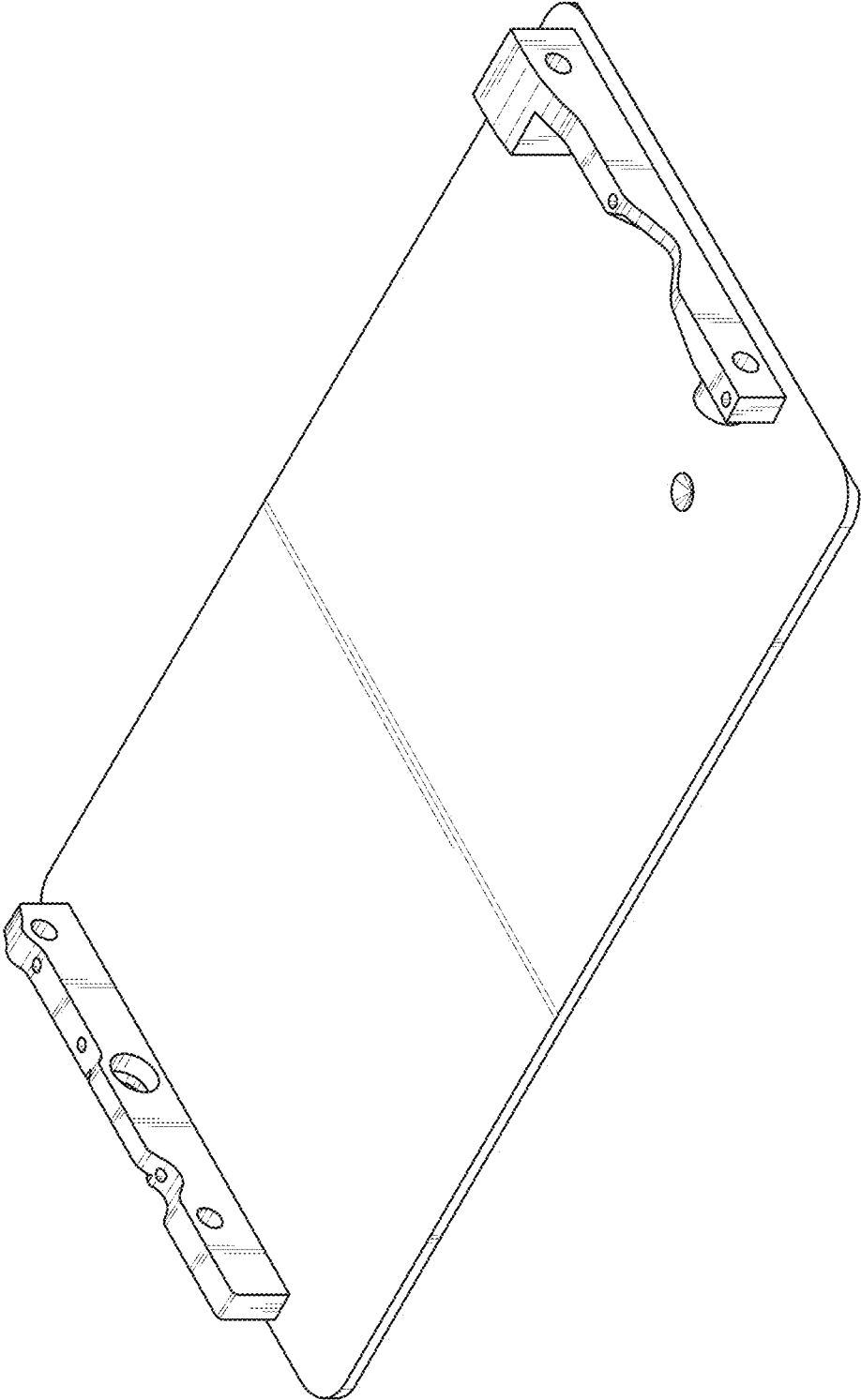


FIG. 2



FIG. 3

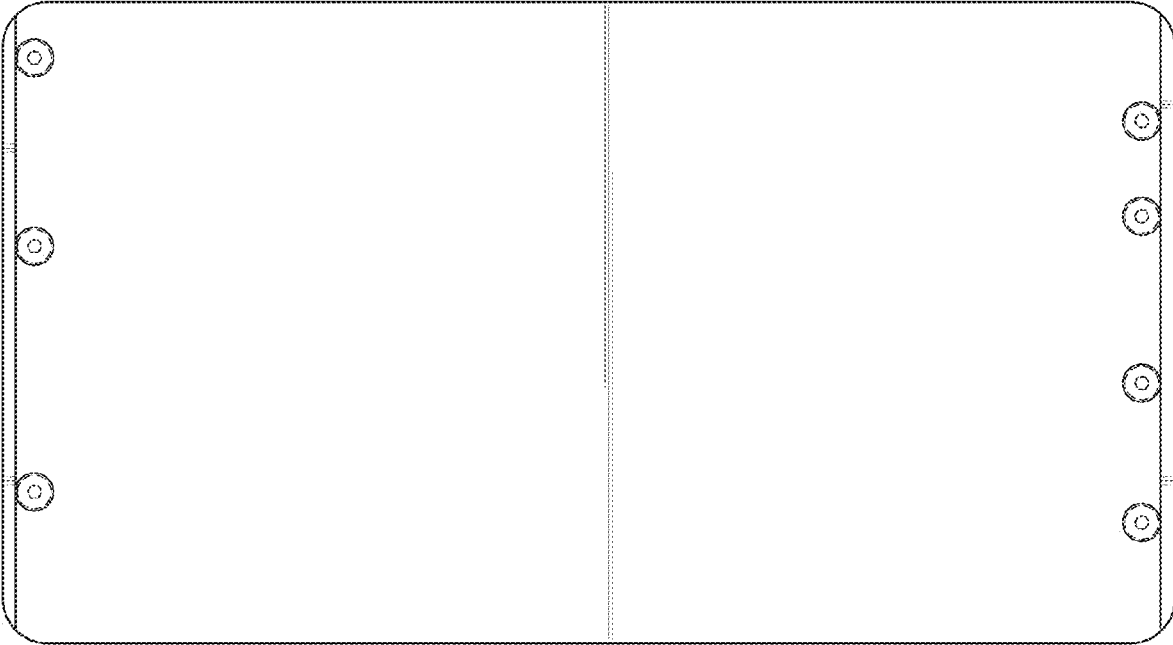


FIG. 4

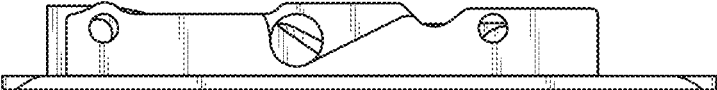


FIG. 5



FIG. 6

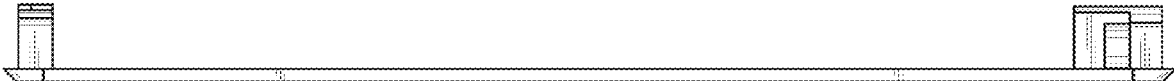


FIG. 7

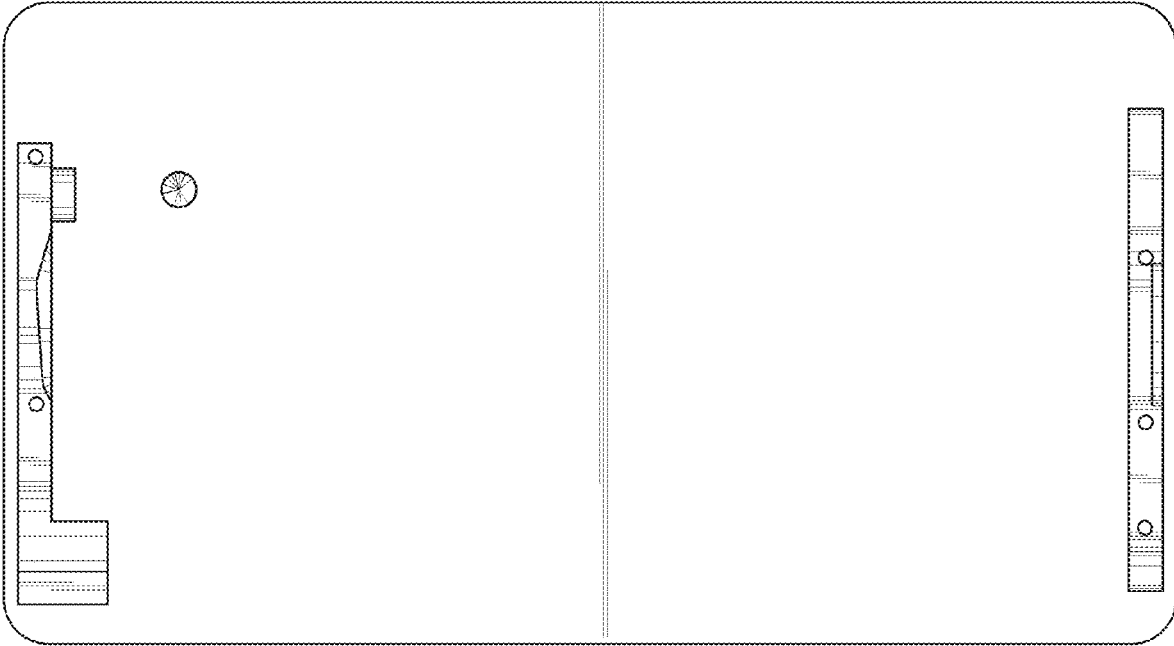


FIG. 8

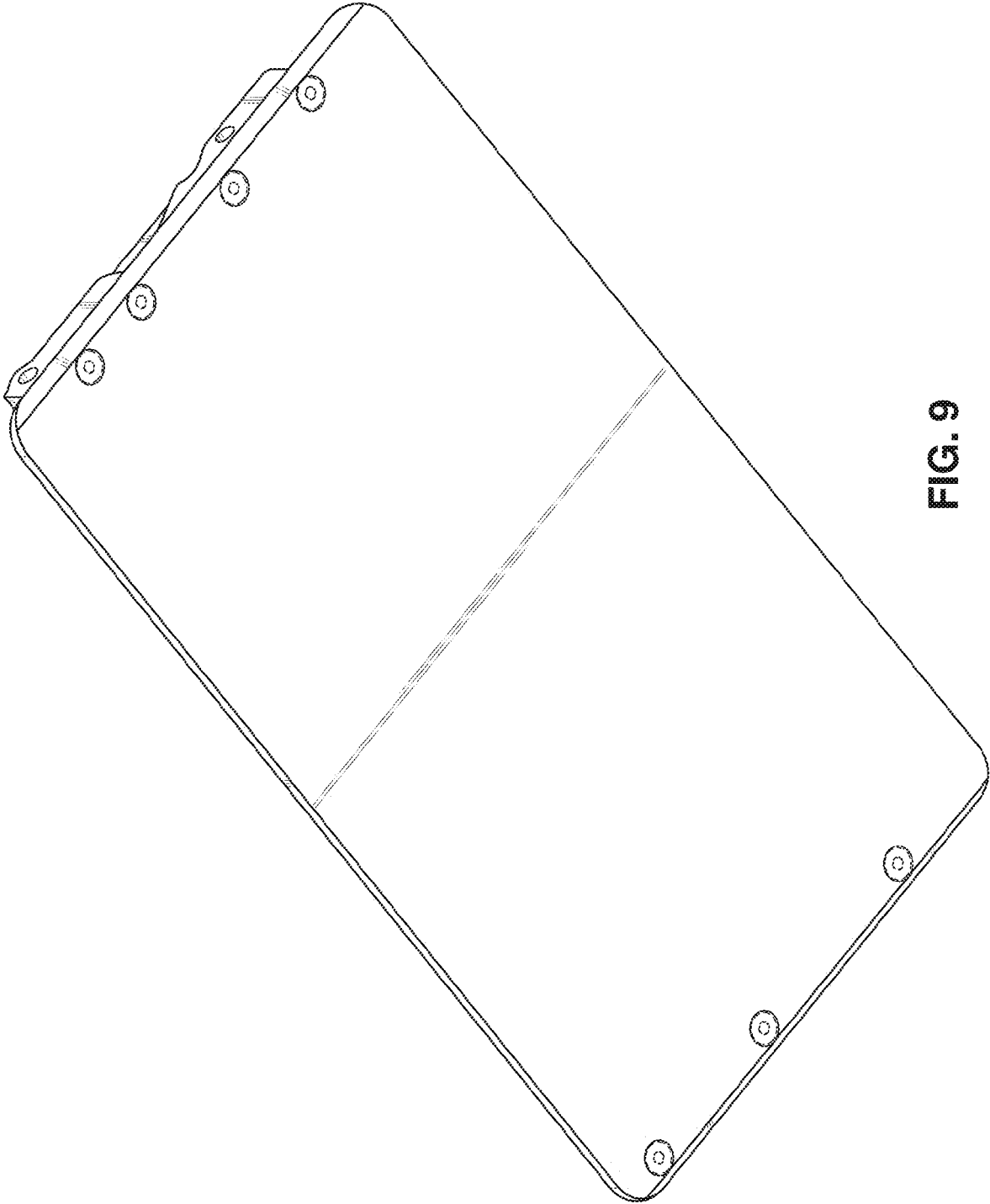


FIG. 9