

(12) NACH DEM VERTRAG ÜBER DIE INTERNATIONALE ZUSAMMENARBEIT AUF DEM GEBIET DES PATENTWESENS (PCT) VERÖFFENTLICHTE INTERNATIONALE ANMELDUNG

(19) Weltorganisation für geistiges Eigentum
Internationales Büro



(43) Internationales Veröffentlichungsdatum
9. November 2006 (09.11.2006)

PCT

(10) Internationale Veröffentlichungsnummer
WO 2006/117172 A3

- (51) Internationale Patentklassifikation:
G02B 5/00 (2006.01) **G02B 21/00** (2006.01)
- (21) Internationales Aktenzeichen: PCT/EP2006/004045
- (22) Internationales Anmeldedatum:
29. April 2006 (29.04.2006)
- (25) Einreichungssprache: Deutsch
- (26) Veröffentlichungssprache: Deutsch
- (30) Angaben zur Priorität:
10 2005 020 542.9 3. Mai 2005 (03.05.2005) DE
- (71) Anmelder (für alle Bestimmungsstaaten mit Ausnahme von US): **CARL ZEISS JENA GMBH** [DE/DE]; Carl-Zeiss-Promenade 10, 07745 Jena (DE).
- (72) Erfinder; und
- (75) Erfinder/Anmelder (nur für US): **KLOSE, Heinrich** [DE/DE]; Rudolf-Straubel-Strasse 13, 07745 Jena (DE).

BARTZKE, Karlheinz [DE/DE]; Schulstrasse 16, 07749 Jena (DE). **HEISE, Jürgen** [DE/DE]; Kahlaische Str. 53, 07745 Jena (DE). **WOLLESCHENSKY, Ralf** [DE/DE]; An der Promenade 3, 99510 Apolda (DE). **BURKHARDT, Matthias** [DE/DE]; Dorfstr. 28, 07768 Eichenberg (DE).

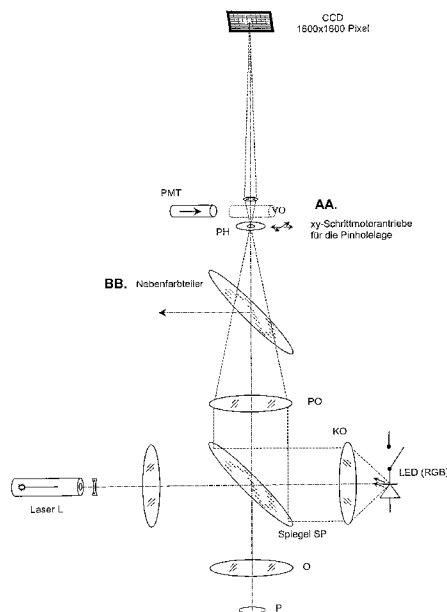
(74) Gemeinsamer Vertreter: **CARL ZEISS JENA GMBH**; Attn.: Hampe, Holger, Carl-Zeiss-Promenade 10, 07745 Jena (DE).

(81) Bestimmungsstaaten (soweit nicht anders angegeben, für jede verfügbare nationale Schutzrechtsart): AE, AG, AL, AM, AT, AU, AZ, BA, BB, BG, BR, BW, BY, BZ, CA, CH, CN, CO, CR, CU, CZ, DK, DM, DZ, EC, EE, EG, ES, FI, GB, GD, GE, GH, GM, HR, HU, ID, IL, IN, IS, JP, KE, KG, KM, KN, KP, KR, KZ, LC, LK, LR, LS, LT, LU, LV, LY, MA, MD, MG, MK, MN, MW, MX, MZ, NA, NG, NI, NO, NZ, OM, PG, PH, PL, PT, RO, RU, SC, SD, SE, SG,

[Fortsetzung auf der nächsten Seite]

(54) Title: DEVICE AND METHOD FOR THE REPRODUCIBLE ADJUSTMENT OF THE PIN HOLE OPENING AND PIN HOLE POSITION IN LASER SCANNING MICROSCOPES

(54) Bezeichnung: EINRICHTUNG UND VERFAHREN ZUR REPRODUZIERBAREN EINSTELLUNG DER PINHOLEÖFFNUNG UND PINHOLELAGE IN LASERSCANMIKROSKOPEN



Laserscanmikroskop mit CCD UND LAGEMARKIERUNG UND REPRODUZIERBAREN EINSTELLUNG DER PINHOLEÖFFNUNG (VORDERSEITIGE AUSLEUCHTUNG DES PINHOLES)

LASER SCANNING MICROSCOPE WITH CCD AND LED FOR MARKING THE POSITION OF AND REPRODUCIBLY ADJUST THE PIN HOLE OPENING (FRONTAL ILLUMINATION OF THE PIN HOLE)
AA...XY STEPPER DRIVES FOR THE PIN HOLE POSITION
BB...SECONDARY COLOR SPLITTER
SP...MIRROR

(57) Abstract: Disclosed is a device for adjusting the position and/or size of a pin hole in a laser scanning microscope (LSM). According to the invention, the pin hole is illuminated via a separate light source or the LSM laser, and the pin hole is displaced perpendicular to the optical axis until a maximum intensity is provided on a receiver, and the pin hole position is detected and is stored along with data pertaining to removable optical components.

(57) Zusammenfassung: Vorrichtung zur Einstellung der Lage und/oder Größe eines Pinholes in einem Laser Scanning Mikroskop (LSM), wobei über eine separate Lichtquelle oder den LSM - Laser eine Beleuchtung des Pinholes erfolgt und eine Verschiebung des Pinholes quer zur optischen Achse erfolgt, bis ein Intensitätsmaximum auf einem Empfänger vorliegt und eine Erfassung der Pinholelage erfolgt und diese gemeinsam mit zu auswechselbaren optischen Komponenten gehörigen Daten abgespeichert wird.

WO 2006/117172 A3



SK, SL, SM, SY, TJ, TM, TN, TR, TT, TZ, UA, UG, US,
UZ, VC, VN, YU, ZA, ZM, ZW.

- (84) Bestimmungsstaaten** (soweit nicht anders angegeben, für jede verfügbare regionale Schutzrechtsart): ARIPO (BW, GH, GM, KE, LS, MW, MZ, NA, SD, SL, SZ, TZ, UG, ZM, ZW), eurasisches (AM, AZ, BY, KG, KZ, MD, RU, TJ, TM), europäisches (AT, BE, BG, CH, CY, CZ, DE, DK, EE, ES, FI, FR, GB, GR, HU, IE, IS, IT, LT, LU, LV, MC, NL, PL, PT, RO, SE, SI, SK, TR), OAPI (BF, BJ, CF, CG, CI, CM, GA, GN, GQ, GW, ML, MR, NE, SN, TD, TG).

Erklärung gemäß Regel 4.17:

— *Erfindererklärung (Regel 4.17 Ziffer iv)*

Veröffentlicht:

— *mit internationalem Recherchenbericht*

(88) Veröffentlichungsdatum des internationalen

Recherchenberichts:

22. März 2007

Zur Erklärung der Zweibuchstaben-Codes und der anderen Abkürzungen wird auf die Erklärungen ("Guidance Notes on Codes and Abbreviations") am Anfang jeder regulären Ausgabe der PCT-Gazette verwiesen.

INTERNATIONAL SEARCH REPORT

International application No
PCT/EP2006/004045

A. CLASSIFICATION OF SUBJECT MATTER
INV. G02B5/00 G02B21/00

According to International Patent Classification (IPC) or to both national classification and IPC

B. FIELDS SEARCHED

Minimum documentation searched (classification system followed by classification symbols)
G02B

Documentation searched other than minimum documentation to the extent that such documents are included in the fields searched

Electronic data base consulted during the international search (name of data base and, where practical, search terms used)

EPO-Internal, PAJ

C. DOCUMENTS CONSIDERED TO BE RELEVANT

Category*	Citation of document, with indication, where appropriate, of the relevant passages	Relevant to claim No.
X	US 5 084 612 A (IWASAKI ET AL) 28 January 1992 (1992-01-28) column 5, line 66 - column 6, line 45 column 8, line 37 - line 55 figure 1 column 8, line 50 - column 9, line 14 -----	1,4,5,7, 21
X	US 6 563 632 B1 (SCHOEPPE GUENTER ET AL) 13 May 2003 (2003-05-13) column 4, line 41 - line 67 claim 3 figures 1,2,5 ----- -/--	1,2,4,5, 7,21

Further documents are listed in the continuation of Box C.

See patent family annex.

* Special categories of cited documents :

"A" document defining the general state of the art which is not considered to be of particular relevance

"E" earlier document but published on or after the international filing date

"L" document which may throw doubts on priority claim(s) or which is cited to establish the publication date of another citation or other special reason (as specified)

"O" document referring to an oral disclosure, use, exhibition or other means

"P" document published prior to the international filing date but later than the priority date claimed

"T" later document published after the international filing date or priority date and not in conflict with the application but cited to understand the principle or theory underlying the invention

"X" document of particular relevance; the claimed invention cannot be considered novel or cannot be considered to involve an inventive step when the document is taken alone

"Y" document of particular relevance; the claimed invention cannot be considered to involve an inventive step when the document is combined with one or more other such documents, such combination being obvious to a person skilled in the art.

"&" document member of the same patent family

Date of the actual completion of the international search

26 July 2006

Date of mailing of the international search report

10. 10. 2006

Name and mailing address of the ISA/

European Patent Office, P.B. 5818 Patentlaan 2
NL - 2280 HV Rijswijk
Tel. (+31-70) 340-2040, Tx. 31 651 epo nl,
Fax: (+31-70) 340-3016

Authorized officer

von Hentig, Roger

INTERNATIONAL SEARCH REPORT

International application No

PCT/EP2006/004045

C(Continuation). DOCUMENTS CONSIDERED TO BE RELEVANT		
Category*	Citation of document, with indication, where appropriate, of the relevant passages	Relevant to claim No.
X	PATENT ABSTRACTS OF JAPAN vol. 2003, no. 01, 14 January 2003 (2003-01-14) -& JP 2002 277746 A (OLYMPUS OPTICAL CO LTD), 25 September 2002 (2002-09-25) abstract paragraph [0009] - paragraph [0015] paragraph [0027] - paragraph [0030] -----	1,2,4,5, 7,21
X	WO 2004/104647 A (CARL ZEISS JENA GMBH; LASSER, THEO; LOPEZ, ANTONIO; SIDLER, THOMAS; FA) 2 December 2004 (2004-12-02) claims 9,10; figure 3 -----	1,7,21
X	US 6 185 035 B1 (OTSUKI SHINYA ET AL) 6 February 2001 (2001-02-06) column 1, line 11 - line 34 figure 1 -----	1,3-5,7, 21

INTERNATIONAL SEARCH REPORT

International application No.
PCT/EP2006/004045**Box No. II Observations where certain claims were found unsearchable (Continuation of item 2 of first sheet)**

This international search report has not been established in respect of certain claims under Article 17(2)(a) for the following reasons:

1. Claims Nos.:
because they relate to subject matter not required to be searched by this Authority, namely:

2. Claims Nos.: 1,2,3,4,5,7,21
because they relate to parts of the international application that do not comply with the prescribed requirements to such an extent that no meaningful international search can be carried out, specifically:
See supplemental sheet PCT/ISA/210

3. Claims Nos.:
because they are dependent claims and are not drafted in accordance with the second and third sentences of Rule 6.4(a).

Box No. III Observations where unity of invention is lacking (Continuation of item 3 of first sheet)

This International Searching Authority found multiple inventions in this international application, as follows:

See supplemental sheet

1. As all required additional search fees were timely paid by the applicant, this international search report covers all searchable claims.
2. As all searchable claims could be searched without effort justifying additional fees, this Authority did not invite payment of additional fees.
3. As only some of the required additional search fees were timely paid by the applicant, this international search report covers only those claims for which fees were paid, specifically claims Nos.:

4. No required additional search fees were timely paid by the applicant. Consequently, this international search report is restricted to the invention first mentioned in the claims; it is covered by claims Nos.:
siehe Anhang

Remark on Protest

- The additional search fees were accompanied by the applicant's protest and, where applicable, the payment of a protest fee.
- The additional search fees were accompanied by the applicant's protest but the applicable protest fee was not paid within the time limit specified in the invitation.
- No protest accompanied the payment of additional search fees.

Continuation of Box II.2

Claims 1, 2, 3, 4, 5, 7, 21

A substantial part of the claims attempts to define a device for adjusting a pin hole by the desired interaction of components of a laser scanning microscope or by vague functional indications. It does not, however, mention concrete structural features of the device which are inherent to the claimed device. Furthermore, the independent claims only refer to the problem, but do not mention concrete features in order to solve the problem in question. Moreover, it is questionable which features do imply the method steps mentioned in the claims and which of said features constitute the subject matter of the claims. The introduction of the application cites a document which is not specified in more detail and which refers to an adjustable pin hole that, according to the applicant, describes the prior art.

It is therefore impossible to carry out a meaningful search on the basis of this set of claims, since, due to a lack of concretisation, it is not clear to which subject matter the patent application could be directed to.

Considering the application documents in their entirety, the question remains whether the subject matter of the claims is directed to an adjustment device per se, which is, however, not specified in more detail, or to a confocal laser scanning microscope with a pin hole and said adjustment device. Owing to the lack of concrete features, the claims were not searched, and, consequently, the description and figures were used for the purpose of clarification of the substantive matter.

Due to the fact that the embodiments have no common inventive concept, the search was thus based on the embodiment described in figure 1 and in the text from page 3, last paragraph, to page 4, first paragraph, which, as far as comprehensible, appears to contain a reasonable definition of the invention for which protection is sought.

The applicant is advised that claims relating to inventions in respect of which no international search report has been established cannot normally be the subject of an international preliminary examination (PCT Rule 66.1(e)). In its capacity as International Preliminary Examining Authority the EPO generally will not carry out a preliminary examination for subject matter that has not been searched. This also applies in cases where the claims were amended after receipt of the international search report (PCT Article 19) or where the applicant submits new claims in the course of the procedure under PCT Chapter II. However, after entry into the regional phase before the EPO an additional search may be carried out in the course of the examination (cf. EPO Guidelines, C-VI, 8.5) if the deficiencies that led to the declaration under PCT Article 17(2) have been corrected.

The International Searching Authority has found that the international application contains multiple (groups of) inventions, as follows:

1. Claims 1, 2, 3, 4, 5, 7, 21

The description (page 3, last paragraph, to page 4, first paragraph) mentions a modification of the embodiment described in document US5084612. The essential conceptual novelty appears to concern the illumination of the adjustable pin hole with an additional collimating broadband light source which is mounted on the object side of the pin hole, and a magnifying optics projecting the image of the pin hole on a CCD. In addition to claim 1, claims 2-5, 7 and 21 can also form part of this group.

2. Claims 11, 12

Figures 2 and 6 as well as the description (page 4, paragraphs 2 to 3, and page 5, last paragraph, to page 7, first paragraph) mention a second embodiment which has a complementary configuration of that described in figure 1. The essential conceptual novelty appears to concern the illumination of the adjustable pin hole with an additional collimating broadband light source which is mounted on the object side of the pin hole, an additional pivotable mirror for operating the microscope and an optics projecting the image of the pin hole on a CCD. The pivotable mirror for operating the microscope and for adjusting the pin hole in the beam path of the microscope appears to be indispensable for this arrangement.

3. Claims 17-20

Figures 3, 11 and 12 as well as the description (page 4, paragraphs 4 to 5; page 8, last paragraph, to page 9, first paragraph) propose a fundamentally modified illumination concept of the pin hole. The essential novelty is the mounting of an reflecting element (ring mirror, retrofoil, tribel prism) in the collimating part of the beam path of the laser scanning microscope in such a way that the focus of the reflected laser beam comes to rest in the plane of the pin hole.

4. Claims 6, 8, 9, 10, 13-16

Figures 7, 8, 9 and 10 as well as the description (page 6, 2nd paragraph to page 8, penultimate paragraph) propose another fundamentally modified illumination concept of the pin hole. The essential novelty is the fact that an illuminated aperture is projected in the plane of the pin hole by means of the optics of the laser scanning microscope.

INTERNATIONAL SEARCH REPORT

Information on patent family members

International application No

PCT/EP2006/004045

Patent document cited in search report	Publication date	Publication date	Patent family member(s)	Publication date
US 5084612	A	28-01-1992	NONE	
US 6563632	B1	13-05-2003	US 6167173 A	26-12-2000
			US 6486458 B1	26-11-2002
JP 2002277746	A	25-09-2002	NONE	
WO 2004104647	A	02-12-2004	DE 10323922 A1	16-12-2004
			EP 1625427 A1	15-02-2006
US 6185035	B1	06-02-2001	JP 11271622 A	08-10-1999

INTERNATIONALER RECHERCHENBERICHT

Internationales Aktenzeichen

PCT/EP2006/004045

A. KLASSIFIZIERUNG DES ANMELDUNGSGEGENSTANDES
 INV. G02B5/00 G02B21/00

Nach der Internationalen Patentklassifikation (IPC) oder nach der nationalen Klassifikation und der IPC

B. RECHERCHIERTE GEBIETE

Recherchierter Mindestprüfstoff (Klassifikationssystem und Klassifikationssymbole)
 G02B

Recherchierte, aber nicht zum Mindestprüfstoff gehörende Veröffentlichungen, soweit diese unter die recherchierten Gebiete fallen

Während der internationalen Recherche konsultierte elektronische Datenbank (Name der Datenbank und evtl. verwendete Suchbegriffe)

EPO-Internal, PAJ

C. ALS WESENTLICH ANGESEHENE UNTERLAGEN

Kategorie*	Bezeichnung der Veröffentlichung, soweit erforderlich unter Angabe der in Betracht kommenden Teile	Betr. Anspruch Nr.
X	US 5 084 612 A (IWASAKI ET AL) 28. Januar 1992 (1992-01-28) Spalte 5, Zeile 66 - Spalte 6, Zeile 45 Spalte 8, Zeile 37 - Zeile 55 Abbildung 1 Spalte 8, Zeile 50 - Spalte 9, Zeile 14 -----	1,4,5,7, 21
X	US 6 563 632 B1 (SCHOEPPE GUENTER ET AL) 13. Mai 2003 (2003-05-13) Spalte 4, Zeile 41 - Zeile 67 Anspruch 3 Abbildungen 1,2,5 ----- -/--	1,2,4,5, 7,21

Weitere Veröffentlichungen sind der Fortsetzung von Feld C zu entnehmen Siehe Anhang Patentfamilie

* Besondere Kategorien von angegebenen Veröffentlichungen :

"A" Veröffentlichung, die den allgemeinen Stand der Technik definiert, aber nicht als besonders bedeutsam anzusehen ist

"E" älteres Dokument, das jedoch erst am oder nach dem internationalen Anmeldedatum veröffentlicht worden ist

"L" Veröffentlichung, die geeignet ist, einen Prioritätsanspruch zweifelhaft erscheinen zu lassen, oder durch die das Veröffentlichungsdatum einer anderen im Recherchenbericht genannten Veröffentlichung belegt werden soll oder die aus einem anderen besonderen Grund angegeben ist (wie ausgeführt)

"O" Veröffentlichung, die sich auf eine mündliche Offenbarung, eine Benutzung, eine Ausstellung oder andere Maßnahmen bezieht

"P" Veröffentlichung, die vor dem internationalen Anmeldedatum, aber nach dem beanspruchten Prioritätsdatum veröffentlicht worden ist

"T" Spätere Veröffentlichung, die nach dem internationalen Anmeldedatum oder dem Prioritätsdatum veröffentlicht worden ist und mit der Anmeldung nicht kollidiert, sondern nur zum Verständnis des der Erfindung zugrundeliegenden Prinzips oder der ihr zugrundeliegenden Theorie angegeben ist

"X" Veröffentlichung von besonderer Bedeutung; die beanspruchte Erfindung kann allein aufgrund dieser Veröffentlichung nicht als neu oder auf erfinderischer Tätigkeit beruhend betrachtet werden

"Y" Veröffentlichung von besonderer Bedeutung; die beanspruchte Erfindung kann nicht als auf erfinderischer Tätigkeit beruhend betrachtet werden, wenn die Veröffentlichung mit einer oder mehreren anderen Veröffentlichungen dieser Kategorie in Verbindung gebracht wird und diese Verbindung für einen Fachmann naheliegend ist

"&" Veröffentlichung, die Mitglied derselben Patentfamilie ist

Datum des Abschlusses der internationalen Recherche	Absenddatum des internationalen Recherchenberichts
26. Juli 2006	10. 10. 2006

Name und Postanschrift der Internationalen Recherchenbehörde Europäisches Patentamt, P.B. 5818 Patentlaan 2 NL - 2280 HV Rijswijk Tel. (+31-70) 340-2040, Tx. 31 651 epo nl, Fax: (+31-70) 340-3016	Bevollmächtigter Bediensteter von Hentig, Roger
---	--

INTERNATIONALER RECHERCHENBERICHT

Internationales Aktenzeichen

PCT/EP2006/004045

C. (Fortsetzung) ALS WESENTLICH ANGESEHENE UNTERLAGEN		
Kategorie*	Bezeichnung der Veröffentlichung, soweit erforderlich unter Angabe der in Betracht kommenden Teile	Betr. Anspruch Nr.
X	PATENT ABSTRACTS OF JAPAN Bd. 2003, Nr. 01, 14. Januar 2003 (2003-01-14) - & JP 2002 277746 A (OLYMPUS OPTICAL CO LTD), 25. September 2002 (2002-09-25) Zusammenfassung Absatz [0009] - Absatz [0015] Absatz [0027] - Absatz [0030] -----	1,2,4,5, 7,21
X	WO 2004/104647 A (CARL ZEISS JENA GMBH; LASSER, THEO; LOPEZ, ANTONIO; SIDLER, THOMAS; FA) 2. Dezember 2004 (2004-12-02) Ansprüche 9,10; Abbildung 3 -----	1,7,21
X	US 6 185 035 B1 (OTSUKI SHINYA ET AL) 6. Februar 2001 (2001-02-06) Spalte 1, Zeile 11 - Zeile 34 Abbildung 1 -----	1,3-5,7, 21

INTERNATIONALER RECHERCHENBERICHT

Internationales Aktenzeichen
PCT/EP2006/004045

Feld II Bemerkungen zu den Ansprüchen, die sich als nicht recherchierbar erwiesen haben (Fortsetzung von Punkt 2 auf Blatt 1)

Gemäß Artikel 17(2)a) wurde aus folgenden Gründen für bestimmte Ansprüche kein Recherchenbericht erstellt:

1. Ansprüche Nr. _____
weil sie sich auf Gegenstände beziehen, zu deren Recherche die Behörde nicht verpflichtet ist, nämlich

2. Ansprüche Nr. **1,2,3,4,5,7,21**
weil sie sich auf Teile der internationalen Anmeldung beziehen, die den vorgeschriebenen Anforderungen so wenig entsprechen, daß eine sinnvolle internationale Recherche nicht durchgeführt werden kann, nämlich
siehe BEIBLATT PCT/ISA/210

3. Ansprüche Nr. _____
weil es sich dabei um abhängige Ansprüche handelt, die nicht entsprechend Satz 2 und 3 der Regel 6.4 a) abgefaßt sind.

Feld III Bemerkungen bei mangelnder Einheitlichkeit der Erfindung (Fortsetzung von Punkt 3 auf Blatt 1)

Die internationale Recherchenbehörde hat festgestellt, daß diese internationale Anmeldung mehrere Erfindungen enthält:

siehe Zusatzblatt

1. Da der Anmelder alle erforderlichen zusätzlichen Recherchegebühren rechtzeitig entrichtet hat, erstreckt sich dieser internationale Recherchenbericht auf alle recherchierbaren Ansprüche.

2. Da für alle recherchierbaren Ansprüche die Recherche ohne einen Arbeitsaufwand durchgeführt werden konnte, der eine zusätzliche Recherchegebühr gerechtfertigt hätte, hat die Behörde nicht zur Zahlung einer solchen Gebühr aufgefordert.

3. Da der Anmelder nur einige der erforderlichen zusätzlichen Recherchegebühren rechtzeitig entrichtet hat, erstreckt sich dieser internationale Recherchenbericht nur auf die Ansprüche, für die Gebühren entrichtet worden sind, nämlich auf die Ansprüche Nr. _____

4. Der Anmelder hat die erforderlichen zusätzlichen Recherchegebühren nicht rechtzeitig entrichtet. Der internationale Recherchenbericht beschränkt sich daher auf die in den Ansprüchen zuerst erwähnte Erfindung; diese ist in folgenden Ansprüchen erfaßt:
siehe Anhang

Bemerkungen hinsichtlich eines Widerspruchs Die zusätzlichen Gebühren wurden vom Anmelder unter Widerspruch gezahlt.

Die Zahlung zusätzlicher Recherchegebühren erfolgte ohne Widerspruch.

WEITERE ANGABEN

PCT/ISA/ 210

Fortsetzung von Feld II.2

Ansprüche Nr.: 1,2,3,4,5,7,21

Ein wesentlicher Teil der Ansprüche versucht eine Vorrichtung zur Einstellung eines Pinholes durch die gewünschte Wechselwirkung mit Komponenten eines Laser Scanning Mikroskops oder vage funktionelle Angaben zu definieren, ohne jedoch konkrete strukturelle Merkmale der Vorrichtung anzugeben, die der beanspruchten Vorrichtung zueigen sind. Zudem wird in den unabhängigen Ansprüchen lediglich auf die Aufgabe verwiesen, ohne jedoch konkrete Merkmale zur Lösung dieser Aufgabe zu benennen. Darüber hinaus bleibt fraglich, welche Merkmale die in den Ansprüchen genannten Verfahrensschritte implizieren und welche dieser Merkmale Gegenstand der Ansprüche sind. Die Einleitung der Anmeldung verweist auf ein nicht näher spezifiziertes Dokument mit einem verstellbaren Pinhole, das laut Anmelderin Stand der Technik beschreibt.

Eine sinnvolle Recherche auf Grundlage des Anspruchssatzes ist daher nicht möglich, weil aufgrund der mangelnden Konkretisierung nicht erkennbar ist, auf welchen Gegenstand oder welche Gegenstände der Patentantrag gerichtet sein könnte.

In der Gesamtschau der Anmeldeunterlagen bleibt zudem fraglich, ob der Gegenstand der Ansprüche auf eine Verstellvorrichtung per se gerichtet ist, die jedoch als solche nicht weiter spezifiziert ist oder auf ein konfokales Laser-Scanning-Mikroskop mit Pinhole und besagter Verstellvorrichtung gerichtet ist. Da aufgrund fehlender konkreter Merkmale die Ansprüche nicht recherchiert werden konnten, wurden die Beschreibung und die Figuren zur Klärung des Sachverhalts herangezogen.

Da den Ausführungsbeispielen jedoch kein gemeinsames erfinderische Konzept zugrunde liegt, wurde die Recherche daher auf das in Abbildungen 1 und Seite 3, letzter Absatz - Seite 4 erster Absatz dargestellte Ausführungsbeispiel gestützt, die, soweit verständlich, eine vernünftige Definition der Erfindung zu umfassen scheint, für die Schutz begehrt wird.

Der Anmelder wird darauf hingewiesen, dass Patentansprüche auf Erfindungen, für die kein internationaler Recherchenbericht erstellt wurde, normalerweise nicht Gegenstand einer internationalen vorläufigen Prüfung sein können (Regel 66.1(e) PCT). In seiner Eigenschaft als mit der internationalen vorläufigen Prüfung beauftragte Behörde wird das EPA also in der Regel keine vorläufige Prüfung für Gegenstände durchführen, zu denen keine Recherche vorliegt. Dies gilt auch für den Fall, dass die Patentansprüche nach Erhalt des internationalen Recherchenberichtes geändert wurden (Art. 19 PCT), oder für den Fall, dass der Anmelder im Zuge des Verfahrens gemäss Kapitel II PCT neue Patentansprüche vorlegt. Nach Eintritt in die regionale Phase vor dem EPA kann jedoch im Zuge der Prüfung eine weitere Recherche durchgeführt werden (Vgl. EPA-Richtlinien C-VI, 8.5), sollten die Mängel behoben sein, die zu der Erklärung gemäss Art. 17 (2) PCT geführt haben.

WEITERE ANGABEN

PCT/ISA/ 210

Die internationale Recherchenbehörde hat festgestellt, dass diese internationale Anmeldung mehrere (Gruppen von) Erfindungen enthält, nämlich:

1. Ansprüche: 1, 2, 3, 4, 5, 7, 21

Die Beschreibung (Seite 3, letzter Absatz - Seite 4 erster Absatz) und Figur 1 beschreiben eine Modifikation, des in Dokument US5084612 aufgeführten Ausführungsbeispiels. Die wesentliche konzeptuelle Neuerung dürfte die Beleuchtung des einzustellenden Pinholes mit einer zusätzlichen kollimierten breitbandigen Lichtquelle betreffen, die auf der Objektseite des Pinholes angebracht ist und eine Vergrößerungsoptik, die das Bild des Pinholes auf ein CCD abgebildet. Neben Anspruch 1 lassen sich auch Ansprüche 2 - 5, 7, 21 dieser Gruppe zuordnen.

2. Ansprüche: 11, 12

Abbildungen 2, 6 sowie die Beschreibung (Seite 4, Absätze 2 - 3 und Seite 5, letzter Absatz - Seite 7, 1. Absatz) schlagen eine zweite, zu dem in Figur 1 dargestellten Ausführungsbeispiel komplementäre Gestaltung vor. Die wesentliche konzeptuelle Neuerung dürfte dabei die Beleuchtung des einzustellenden Pinholes mit einer zusätzlichen kollimierten breitbandigen Lichtquelle betreffen, die auf der Bildseite des Pinholes angebracht ist, einen zusätzlichen, zum Betrieb des Mikroskops ausschwenkbaren Spiegel und einer Optik, die das Bild des Pinholes auf ein CCD abbildet. Der zum Betrieb des Mikroskops ausschwenkbare und zur Justierung des Pinholes in den Strahlengang des Mikroskops einschwenkbare Spiegel scheint für diese Anordnung unabdingbar zu sein.

3. Ansprüche: 17-20

Abbildungen 3, 11 und 12 und die Beschreibung (Seite 4, 4. - 5. Absatz; Seite 8, letzter Absatz - Seite 9, 1. Absatz) schlagen ein grundsätzlich geändertes Beleuchtungskonzept des Pinholes vor. Die dabei wesentliche Neuerung ist, daß ein reflektierendes Element (Ringspiegel, Retrofolie, Tripelprisma) derart im kollimierten Teil des Strahlengangs des Laser-scanning-Mikroskops angebracht, daß der Fokus des reflektierten Laserstrahls in der Ebene des Pinholes zu liegen kommt.

4. Ansprüche: 6, 8, 9, 10, 13-16

WEITERE ANGABEN

PCT/ISA/ 210

Abbildungen 7, 8, 9, 10 sowie die Beschreibung (Seite 6, 2. Absatz - Seite 8, vorletzter Absatz) schlagen ein weiteres grundsätzlich geändertes Beleuchtungskonzept des Pinholes vor. Die dabei wesentliche Neuerung ist, daß eine beleuchtete Apertur mittels der Optik des Laser-scanning-Mikroskops in die Pinholeebene abgebildet wird.

INTERNATIONALER RECHERCHENBERICHT

Angaben zu Veröffentlichungen, die zur selben Patentfamilie gehören

Internationales Aktenzeichen

PCT/EP2006/004045

Im Recherchenbericht angeführtes Patentdokument	Datum der Veröffentlichung	Mitglied(er) der Patentfamilie	Datum der Veröffentlichung
US 5084612	A	28-01-1992	KEINE
US 6563632	B1	13-05-2003	US 6167173 A 26-12-2000 US 6486458 B1 26-11-2002
JP 2002277746	A	25-09-2002	KEINE
WO 2004104647	A	02-12-2004	DE 10323922 A1 16-12-2004 EP 1625427 A1 15-02-2006
US 6185035	B1	06-02-2001	JP 11271622 A 08-10-1999