

(19) World Intellectual Property Organization  
International Bureau



(43) International Publication Date  
26 June 2008 (26.06.2008)

PCT

(10) International Publication Number  
WO 2008/076232 A3

(51) International Patent Classification:  
F16M 1/00 (2006.01)

(21) International Application Number:  
PCT/US2007/025130

(22) International Filing Date:  
6 December 2007 (06.12.2007)

(25) Filing Language: English

(26) Publication Language: English

(30) Priority Data:  
11/639,367 14 December 2006 (14.12.2006) US

(71) Applicant (for all designated States except US): **ITT MANUFACTURING ENTERPRISES, INC.** [US/US]; 1105 North Market Street, Suite 1217, Wilmington, Delaware 19801 (US).

(72) Inventors; and

(75) Inventors/Applicants (for US only): **DANG, Thang Q.** [US/US]; 18492 Goodwin Lane, Huntington, California 92646 (US). **JACKSON, JR., Jim L.** [US/US]; 2813 Declaration Circle, Lago Vista, TX 78645 (US). **MALLIK, Vijay** [US/US]; 13886 Plumrose Place, Chino Hills, CA 91709 (US). **FONG, John** [US/US]; 22245 Anthony Drive, Lake Forest, CA 92630 (US).

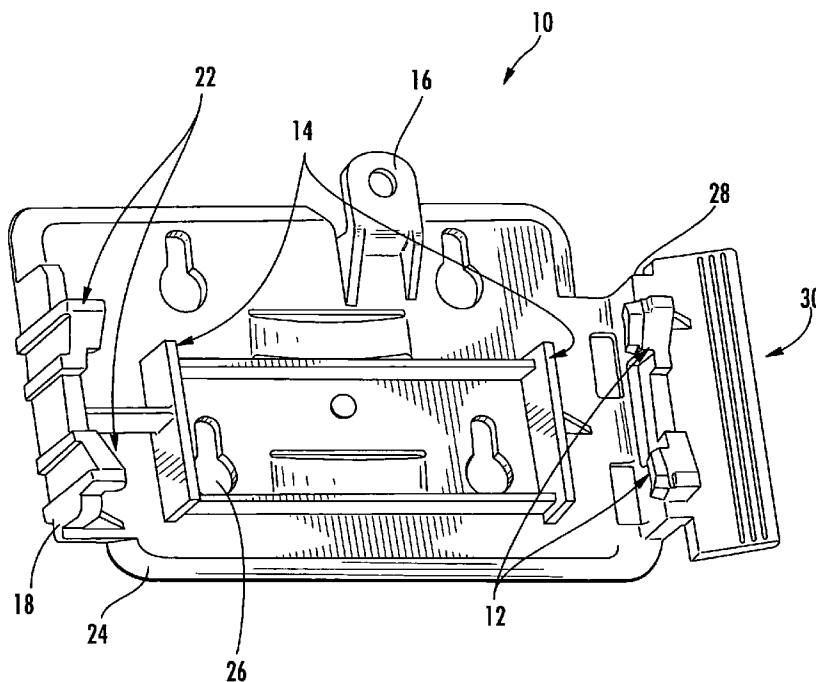
(74) Agent: **BARBER, William, J.**; Ware, Fressola, Van Der Sluys & Adolphson LLP, 755 Main Street, P.O. Box 224, Monroe, Connecticut 06468 (US).

(81) Designated States (unless otherwise indicated, for every kind of national protection available): AE, AG, AL, AM, AT, AU, AZ, BA, BB, BG, BH, BR, BW, BY, BZ, CA, CH, CN, CO, CR, CU, CZ, DE, DK, DM, DO, DZ, EC, EE, EG, ES, FI, GB, GD, GE, GH, GM, GT, HN, HR, HU, ID, IL, IN, IS, JP, KE, KG, KM, KN, KP, KR, KZ, LA, LC, LK, LR, LS, LT, LU, LY, MA, MD, ME, MG, MK, MN, MW, MX, MY, MZ, NA, NG, NI, NO, NZ, OM, PG, PH, PL, PT, RO, RS, RU, SC, SD, SE, SG, SK, SL, SM, SV, SY, TJ, TM, TN, TR, TT, TZ, UA, UG, US, UZ, VC, VN, ZA, ZM, ZW.

(84) Designated States (unless otherwise indicated, for every kind of regional protection available): ARIPO (BW, GH, GM, KE, LS, MW, MZ, NA, SD, SL, SZ, TZ, UG, ZM, ZW), Eurasian (AM, AZ, BY, KG, KZ, MD, RU, TJ, TM), European (AT, BE, BG, CH, CY, CZ, DE, DK, EE, ES, FI, FR, GB, GR, HU, IE, IS, IT, LT, LU, LV, MC, MT, NL, PL, PT, RO, SE, SI, SK, TR), OAPI (BF, BJ, CF, CG, CI, CM, GA, GN, GQ, GW, ML, MR, NE, SN, TD, TG).

[Continued on next page]

(54) Title: MOUNTING BRACKET FOR A PUMP



(57) Abstract: A mounting bracket may include a base plate, at least one stationary clip disposed on the base plate, a push releasing plate disposed in spaced apart relation to the at least one stationary clip, and at least one movable clip operatively coupled to and movable with the push releasing plate. The stationary clip or clips and movable clip or clips are disposed and configured to mate with cavities in respective ends of a pump when the push releasing plate is in a non-pivoted position

WO 2008/076232 A3



**Published:**

— *with international search report*

**(88) Date of publication of the international search report:**

14 August 2008

**INTERNATIONAL SEARCH REPORT**

International application No.  
PCT/US 07/25130

**A. CLASSIFICATION OF SUBJECT MATTER**  
 IPC(8) - F16M 1/00 (2008.01)  
 USPC - 248/674  
 According to International Patent Classification (IPC) or to both national classification and IPC

**B. FIELDS SEARCHED**  
 Minimum documentation searched (classification system followed by classification symbols)  
 IPC(8): F16M 1/00 (2008.01)  
 USPC: 248/674

Documentation searched other than minimum documentation to the extent that such documents are included in the fields searched  
 IPC(8): F16M 1/00, F16M 11/00 (2008.01)-see keywords below  
 USPC: 248/674, 220,205.01,637,689,290,644,646,126,645-see keywords below

Electronic data base consulted during the international search (name of data base and, where practicable, search terms used)  
 PubWEST(USPT,PGPB,EPAB,JPAB); DialogPRO(Engineering); Google Scholar  
 Search Terms: pump, clip, base, plate, push, release (ing), stationary, moveable, ribbed, bracket, track, fastner, clamp, clasp, snap,wall, mount, spring, valvehook, tray, board

**C. DOCUMENTS CONSIDERED TO BE RELEVANT**

Category*	Citation of document, with indication, where appropriate, of the relevant passages	Relevant to claim No.
X	US 5,664,292 A (Chen) 09 September 1997 (09.09.1997), see Fig.2,4,5,7,9,10, entire document	1-10
Y	US 5,996,184 A (Mah et al.) 07 December 1999 (07.12.1999), see Fig. 1-10, entire documnet	2, 3, 5, 8, 9
Y	US 3,684,406 A (Edwards) 15 August 1972 (15.08.1972), see Fig.2,5, entire document	1-10
A	US 7,100,882 B2 (Behroozi) 05 September 2006 (05.09.2006), Fig.2,7,10,1322,23	1-10
A	US 6,318,687 B2 (Trana et al.) 20 November 2001 (20.11.2001), see Fig.2	1-10
A	US 5,645,540 A (Henniges et al.) 08 July 1997 (08.07.1997), see Fig.5	6

Further documents are listed in the continuation of Box C.

\* Special categories of cited documents:  
 "A" document defining the general state of the art which is not considered to be of particular relevance  
 "E" earlier application or patent but published on or after the international filing date  
 "L" document which may throw doubts on priority claim(s) or which is cited to establish the publication date of another citation or other special reason (as specified)  
 "O" document referring to an oral disclosure, use, exhibition or other means  
 "P" document published prior to the international filing date but later than the priority date claimed  
 "T" later document published after the international filing date or priority date and not in conflict with the application but cited to understand the principle or theory underlying the invention  
 "X" document of particular relevance; the claimed invention cannot be considered novel or cannot be considered to involve an inventive step when the document is taken alone  
 "Y" document of particular relevance; the claimed invention cannot be considered to involve an inventive step when the document is combined with one or more other such documents, such combination being obvious to a person skilled in the art  
 "&" document member of the same patent family

Date of the actual completion of the international search 30 March 2008 (30.03.2008)	Date of mailing of the international search report <b>28 APR 2008</b>
---	--

Name and mailing address of the ISA/US Mail Stop PCT, Attn: ISA/US, Commissioner for Patents P.O. Box 1450, Alexandria, Virginia 22313-1450 Facsimile No. 571-273-3201	Authorized officer: Lee W. Young PCT Helpdesk: 571-272-4300 PCT OSP: 571-272-7774
---	--