

(19) World Intellectual Property Organization
International Bureau



(43) International Publication Date
20 April 2006 (20.04.2006)

PCT

(10) International Publication Number
WO 2006/041767 A3

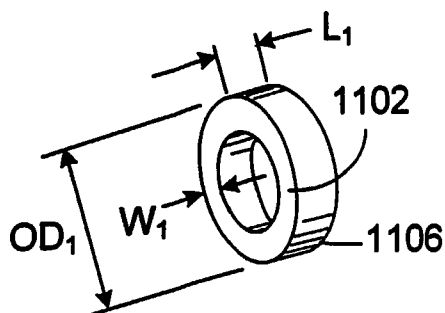
- (51) International Patent Classification: **A61F 2/00** (2006.01) (US). **CAMPO, Cheryl, J.** [US/US]; 3880 Mayfield Road, Apt. 101, Cleveland Heights, OH 44121 (US).
- (21) International Application Number: PCT/US2005/035444 (74) Agents: **GAGEL, John, J.** et al.; Fish & Richardson, P.C., P.O. Box 1022, Minneapolis, MN 55440-1022 (US).
- (22) International Filing Date: 5 October 2005 (05.10.2005) (81) Designated States (unless otherwise indicated, for every kind of national protection available): AE, AG, AL, AM, AT, AU, AZ, BA, BB, BG, BR, BW, BY, BZ, CA, CH, CN, CO, CR, CU, CZ, DE, DK, DM, DZ, EC, EE, EG, ES, FI, GB, GD, GE, GH, GM, HR, HU, ID, IL, IN, IS, JP, KE, KG, KM, KP, KR, KZ, LC, LK, LR, LS, LT, LU, LV, LY, MA, MD, MG, MK, MN, MW, MX, MZ, NA, NG, NI, NO, NZ, OM, PG, PH, PL, PT, RO, RU, SC, SD, SE, SG, SK, SL, SM, SY, TJ, TM, TN, TR, TT, TZ, UA, UG, US (patent), UZ, VC, VN, YU, ZA, ZM, ZW.
- (25) Filing Language: English (84) Designated States (unless otherwise indicated, for every kind of regional protection available): ARIPO (BW, GH, GM, KE, LS, MW, MZ, NA, SD, SL, SZ, TZ, UG, ZM, ZW), Eurasian (AM, AZ, BY, KG, KZ, MD, RU, TJ, TM), European (AT, BE, BG, CH, CY, CZ, DE, DK, EE, ES, FI, FR, GB, GR, HU, IE, IS, IT, LT, LU, LV, MC, NL, PL, PT, RO, SE, SI, SK, TR), OAPI (BF, BJ, CF, CG, CI, CM, GA, GN, GQ, GW, ML, MR, NE, SN, TD, TG).
- (26) Publication Language: English
- (30) Priority Data: 10/958,435 5 October 2004 (05.10.2004) US
- (63) Related by continuation (CON) or continuation-in-part (CIP) to earlier application: US 10/958,435 (CON) Filed on 5 October 2004 (05.10.2004)
- (71) Applicants (for all designated States except US): **BOSTON SCIENTIFIC LIMITED** [IE/BB]; P.O. Box 1317, Seaston House, Hastings, Christ Church (BB). **UNIVERSITY OF CONNECTICUT** [US/US]; P.O. Box U-133, Storrs, CT 06269-133 (US).
- (72) Inventors; and
- (75) Inventors/Applicants (for US only): **SAHATJIAN, Ronald, A.** [US/US]; 29 Saddle Club Road, Lexington, MA 02420 (US). **TAN, Francisca** [US/US]; 104 Queensberry St, Apartment 12A, Boston, MA 02215 (US). **MATHER, Patrick, T.** [US/US]; 48 Green Valley Drive, Chagrin Falls, OH 44022 (US). **LIU, Changdeng** [CN/US]; 1 Northwood Road, Apt. 114, Storrs, CT 06268

Published:
— with international search report

(88) Date of publication of the international search report:
25 January 2007

For two-letter codes and other abbreviations, refer to the "Guidance Notes on Codes and Abbreviations" appearing at the beginning of each regular issue of the PCT Gazette.

(54) Title: IMPLANTABLE MEDICAL DEVICES



(57) Abstract: An implantable endoprosthesis (1102, 1106) comprising a tubular member having a first transverse direction that on exposure to an elevated temperature can be expanded to a second transverse direction that is at least fifty percent larger than the first transverse direction.

WO 2006/041767 A3

INTERNATIONAL SEARCH REPORT

International application No
PCT/US2005/035444

A. CLASSIFICATION OF SUBJECT MATTER INV. A61F2/00		
According to International Patent Classification (IPC) or to both national classification and IPC		
B. FIELDS SEARCHED		
Minimum documentation searched (classification system followed by classification symbols) A61F C08G C08L		
Documentation searched other than minimum documentation to the extent that such documents are included in the fields searched		
Electronic data base consulted during the international search (name of data base and, where practical, search terms used) EPO-Internal		
C. DOCUMENTS CONSIDERED TO BE RELEVANT		
Category*	Citation of document, with indication, where appropriate, of the relevant passages	Relevant to claim No.
X	WO 2004/032799 A (SCIMED LIFE SYSTEMS, INC) 22 April 2004 (2004-04-22) page 8, line 23 - page 13, line 18; claims; figures	1-9, 13-17
X	WO 2004/073690 A (MNEMOSCIENCE GMBH; LENDLEIN, ANDREAS; LANGER, ROBERT, S) 2 September 2004 (2004-09-02) abstract; figures 1,2	1-5,7,8, 10-15
A	WO 2004/033539 A (UNIVERSITY OF CONNECTICUT; MATHER, PATRICK, T; LIU, CHANGDENG) 22 April 2004 (2004-04-22) page 6, line 23; claims	1-17
----- -/--		
<input checked="" type="checkbox"/> Further documents are listed in the continuation of Box C. <input checked="" type="checkbox"/> See patent family annex.		
* Special categories of cited documents :		
"A" document defining the general state of the art which is not considered to be of particular relevance "E" earlier document but published on or after the international filing date "L" document which may throw doubts on priority claim(s) or which is cited to establish the publication date of another citation or other special reason (as specified) "O" document referring to an oral disclosure, use, exhibition or other means "P" document published prior to the international filing date but later than the priority date claimed		"T" later document published after the international filing date or priority date and not in conflict with the application but cited to understand the principle or theory underlying the invention "X" document of particular relevance; the claimed invention cannot be considered novel or cannot be considered to involve an inventive step when the document is taken alone "Y" document of particular relevance; the claimed invention cannot be considered to involve an inventive step when the document is combined with one or more other such documents, such combination being obvious to a person skilled in the art. "&" document member of the same patent family
Date of the actual completion of the international search 16 March 2006		Date of mailing of the international search report 08. 08. 2006
Name and mailing address of the ISA/ European Patent Office, P.B. 5818 Patentlaan 2 NL - 2280 HV Rijswijk Tel. (+31-70) 340-2040, Tx. 31 651 epo nl, Fax: (+31-70) 340-3016		Authorized officer Serra i Verdaguer, J

INTERNATIONAL SEARCH REPORT

Internati application No
PCT/US2005/035444

C(Continuation). DOCUMENTS CONSIDERED TO BE RELEVANT		
Category*	Citation of document, with indication, where appropriate, of the relevant passages	Relevant to claim No.
X	WO 03/015840 A (ADVANCED BIO PROSTHETIC SURFACES, LTD; BOYLE, CHRISTOPHER, T; BAILEY,) 27 February 2003 (2003-02-27) the whole document -----	10-13
A	EP 0 183 372 A (RAYCHEM CORPORATION) 4 June 1986 (1986-06-04) abstract -----	1-17

INTERNATIONAL SEARCH REPORT

International application No.
PCT/US2005/035444

Box II Observations where certain claims were found unsearchable (Continuation of item 2 of first sheet)

This International Search Report has not been established in respect of certain claims under Article 17(2)(a) for the following reasons:

1. Claims Nos.: 18-20
because they relate to subject matter not required to be searched by this Authority, namely:
Rule 39.1(iv) PCT - Method for treatment of the human or animal body by surgery
2. Claims Nos.:
because they relate to parts of the International Application that do not comply with the prescribed requirements to such an extent that no meaningful International Search can be carried out, specifically:
3. Claims Nos.:
because they are dependent claims and are not drafted in accordance with the second and third sentences of Rule 6.4(a).

Box III Observations where unity of invention is lacking (Continuation of item 3 of first sheet)

This International Searching Authority found multiple inventions in this international application, as follows:

see additional sheet

1. As all required additional search fees were timely paid by the applicant, this International Search Report covers all searchable claims.
2. As all searchable claims could be searched without effort justifying an additional fee, this Authority did not invite payment of any additional fee.
3. As only some of the required additional search fees were timely paid by the applicant, this International Search Report covers only those claims for which fees were paid, specifically claims Nos.:
4. No required additional search fees were timely paid by the applicant. Consequently, this International Search Report is restricted to the invention first mentioned in the claims; it is covered by claims Nos.:

1-17

Remark on Protest

- The additional search fees were accompanied by the applicant's protest.
 No protest accompanied the payment of additional search fees.

FURTHER INFORMATION CONTINUED FROM PCT/ISA/ 210

This International Searching Authority found multiple (groups of) inventions in this international application, as follows:

1. claims: 1-17

An implantable endoprosthesis that expands on exposure to an elevated temperature

2. claims: 21, 22

A balloon catheter and an expandable member being made of a polymer that during expansion does not flow.

INTERNATIONAL SEARCH REPORT

Information on patent family members

International application No

PCT/US2005/035444

Patent document cited in search report		Publication date	Patent family member(s)	Publication date
WO 2004032799	A	22-04-2004	AU 2003277332	A1 04-05-2004
			AU 2003284088	A1 04-05-2004
			CA 2501617	A1 22-04-2004
			CA 2501643	A1 22-04-2004
			EP 1560612	A2 10-08-2005
			EP 1554328	A2 20-07-2005
			JP 2006503170	T 26-01-2006
			WO 2004033515	A2 22-04-2004

WO 2004073690	A	02-09-2004	BR PI0407682	A 01-03-2006
			CA 2516285	A1 02-09-2004
			CN 1750813	A 22-03-2006
			EP 1594475	A1 16-11-2005

WO 2004033539	A	22-04-2004	AU 2003300377	A1 04-05-2004
			CA 2501549	A1 22-04-2004
			EP 1558671	A1 03-08-2005
			JP 2006503172	T 26-01-2006

WO 03015840	A	27-02-2003	CA 2457012	A1 27-02-2003
			EP 1416978	A2 12-05-2004
			JP 2004538097	T 24-12-2004

EP 0183372	A	04-06-1986	JP 61098254	A 16-05-1986
