



US00D577667S

(12) **United States Design Patent**  
**Beedham**

(10) **Patent No.:** **US D577,667 S**

(45) **Date of Patent:** **\*\* Sep. 30, 2008**

(54) **CHARGER FOR TOOTHBRUSH**

(75) Inventor: **Martyn Beedham**, Amsterdam (NL)

(73) Assignee: **Koninklijke Philips Electronics N.V.**,  
Eindhoven (NL)

(\*\*) Term: **14 Years**

(21) Appl. No.: **29/297,889**

(22) Filed: **Nov. 21, 2007**

(30) **Foreign Application Priority Data**

May 24, 2007 (EM) ..... 000728464-0006

(51) **LOC (8) Cl.** ..... **13-02**

(52) **U.S. Cl.** ..... **D13/108**

(58) **Field of Classification Search** ..... D13/107-110,  
D13/118-119, 184; D14/251, 253, 432,  
D14/434; 320/107-115

See application file for complete search history.

(56) **References Cited**

**U.S. PATENT DOCUMENTS**

- D197,208 S \* 12/1963 Cassidy et al. .... D4/101
- D221,824 S \* 9/1971 Cook ..... D4/199
- D221,825 S \* 9/1971 Cook ..... D4/199

- D221,826 S \* 9/1971 Cook ..... D4/199
- D240,433 S \* 7/1976 Krapowicz ..... D13/108
- D292,264 S \* 10/1987 Staufenberg et al. .... D8/330
- D325,369 S \* 4/1992 Ullmann ..... D13/108
- D353,490 S \* 12/1994 Hartwein ..... D4/108
- D486,787 S \* 2/2004 Krieger et al. .... D13/108
- D541,215 S \* 4/2007 Vu ..... D13/108
- D548,179 S \* 8/2007 Vu ..... D13/108
- D548,978 S \* 8/2007 Vu ..... D13/108

\* cited by examiner

*Primary Examiner*—Jennifer Rivard

*Assistant Examiner*—Rosemary K Tarcza

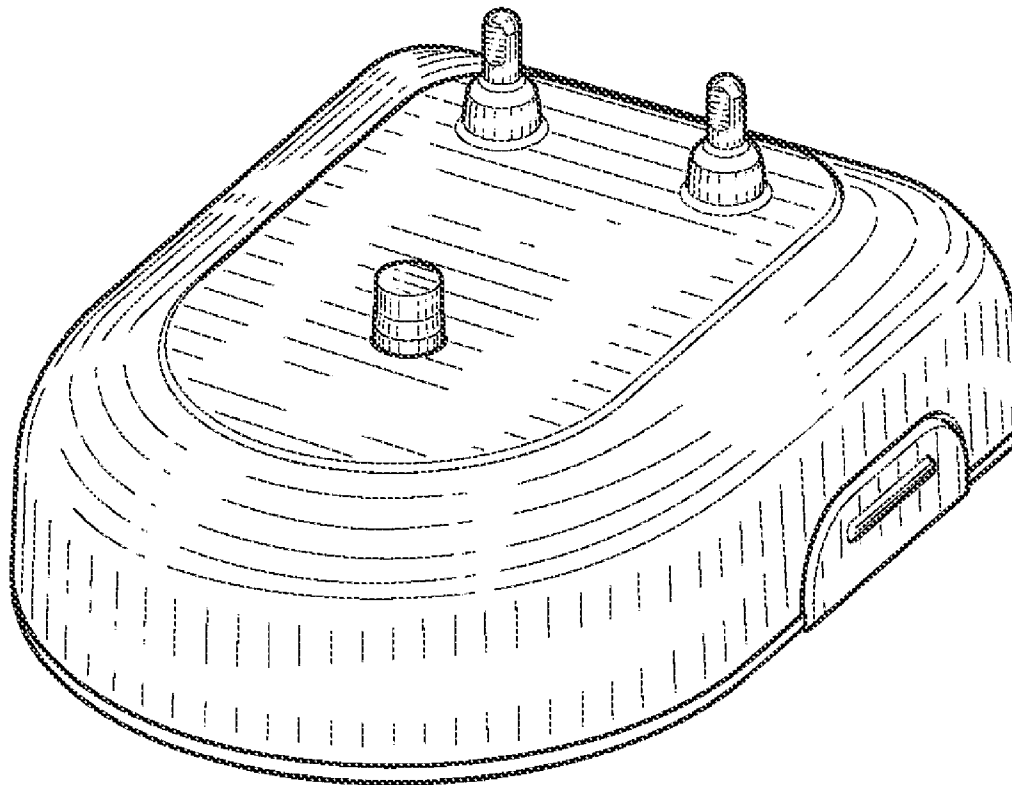
(57) **CLAIM**

The ornamental design for a charger for toothbrush, as shown.

**DESCRIPTION**

- FIG. 1 is a perspective view showing my design;
- FIG. 2 is a front elevational view thereof;
- FIG. 3 is a rear elevational view thereof;
- FIG. 4 is a right side elevational view thereof;
- FIG. 5 is a left side elevational view thereof;
- FIG. 6 is a top plan view thereof; and,
- FIG. 7 is a bottom plan view thereof.

**1 Claim, 4 Drawing Sheets**



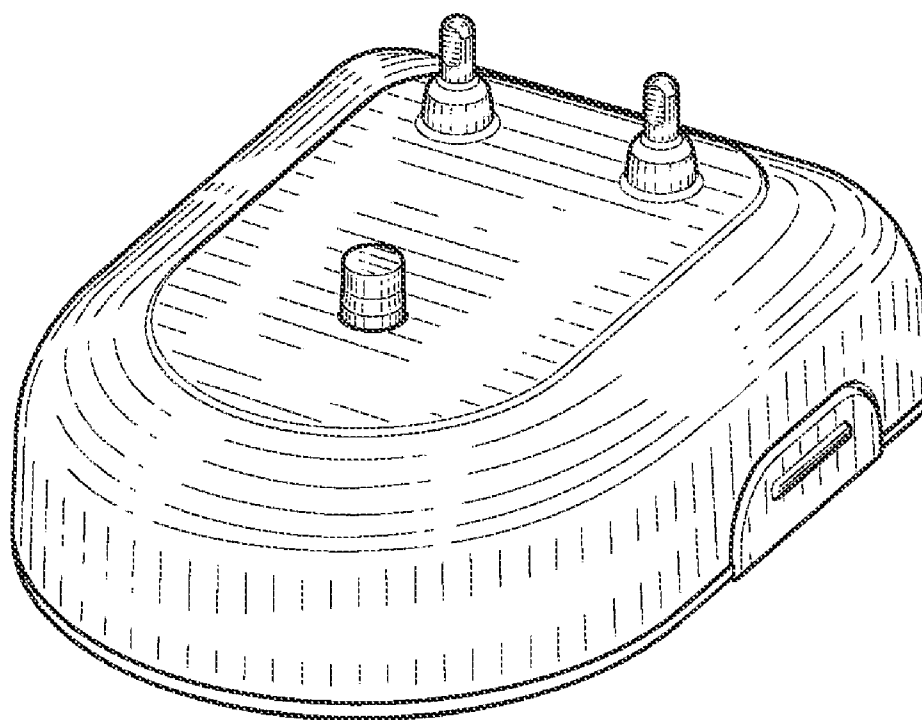


FIG. 1

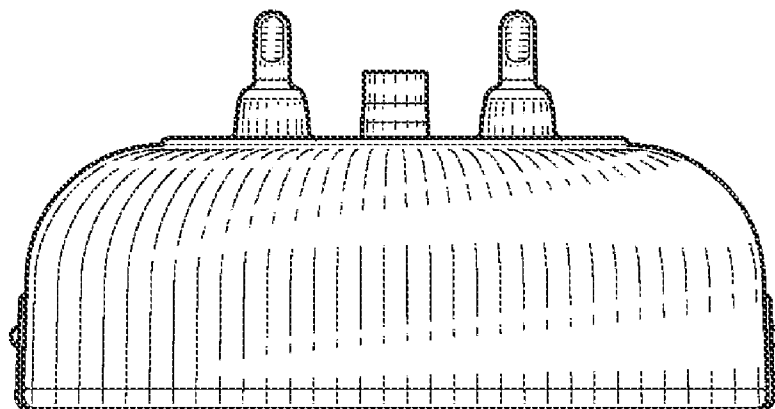


FIG. 2

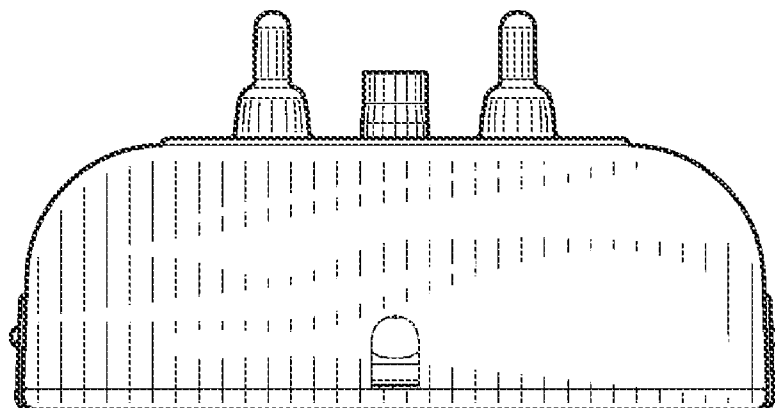


FIG. 3

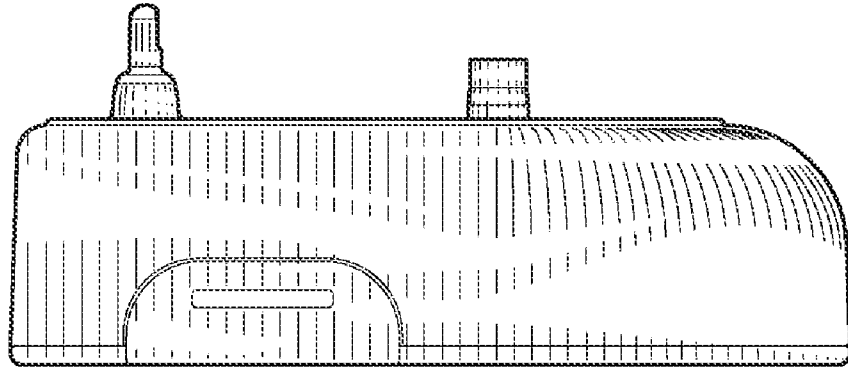


FIG. 4

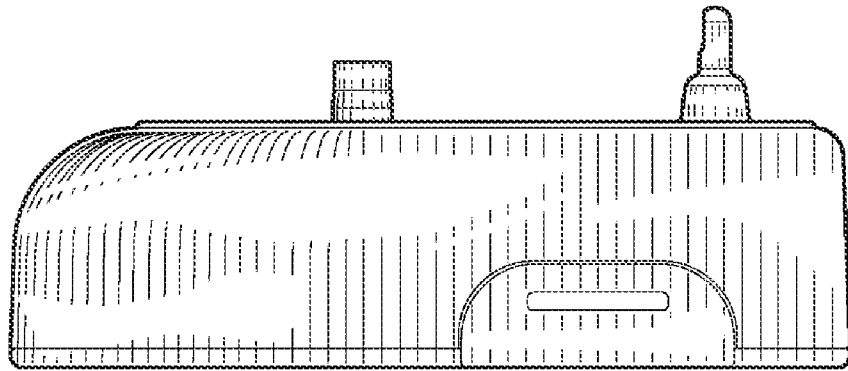


FIG. 5

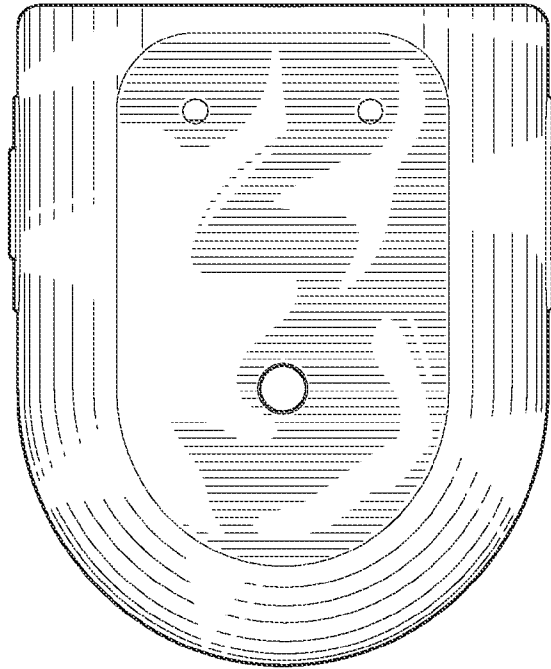


FIG. 6

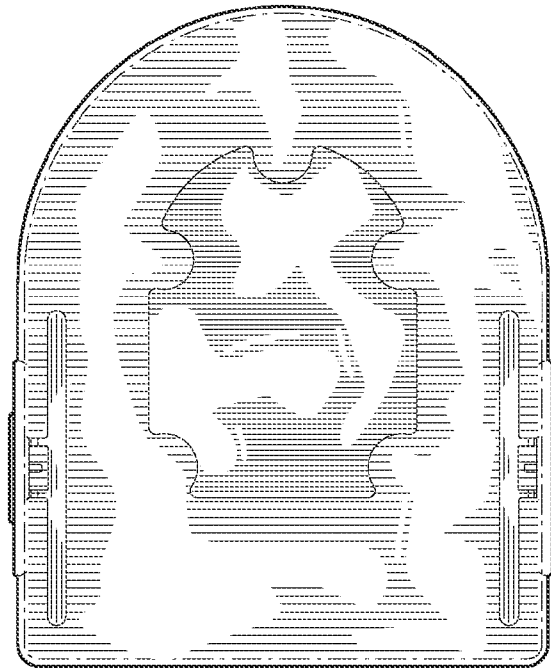


FIG. 7