

CORRECTED VERSION

(19) World Intellectual Property
Organization
International Bureau

(43) International Publication Date
25 June 2020 (25.06.2020)



(10) International Publication Number
WO 2020/131268 A8

(51) International Patent Classification:
F16J 15/34 (2006.01)

(21) International Application Number:
PCT/US2019/061919

(22) International Filing Date:
18 November 2019 (18.11.2019)

(25) Filing Language: English

(26) Publication Language: English

(30) Priority Data:
16/222,502 17 December 2018 (17.12.2018) US

(71) Applicant: CATERPILLAR INC. [US/US]; 100 NE
Adams Street, Peoria, Illinois 61629-9510 (US).

(72) Inventors: JONES, Benjamin; 9 Holiday Ave., Bartonville, IL 61607 (US). HAKES, David; 11420 Chase Lane, Brimfield, Illinois 61517 (US). PITMAN, Jacob; 4034 N Harvard Ave, Peoria, Illinois 61614 (US). ELLMANN, Thomas; 604 Wildwood Drive, Groveland, IL 61535 (US).

(74) Agent: FISHER, Bart A. et al.; Caterpillar Inc., 100 NE Adams Street - AH9510, Peoria, IL 61629-9510 (US).

(81) Designated States (unless otherwise indicated, for every kind of national protection available): AE, AG, AL, AM, AO, AT, AU, AZ, BA, BB, BG, BH, BN, BR, BW, BY, BZ, CA, CH, CL, CN, CO, CR, CU, CZ, DE, DJ, DK, DM, DO, DZ, EC, EE, EG, ES, FI, GB, GD, GE, GH, GM, GT, HN, HR, HU, ID, IL, IN, IR, IS, JO, JP, KE, KG, KH, KN, KP, KR, KW, KZ, LA, LC, LK, LR, LS, LU, LY, MA, MD, ME,

(54) Title: PLATE BETWEEN RING ASSEMBLIES OF A RING SEAL SYSTEM

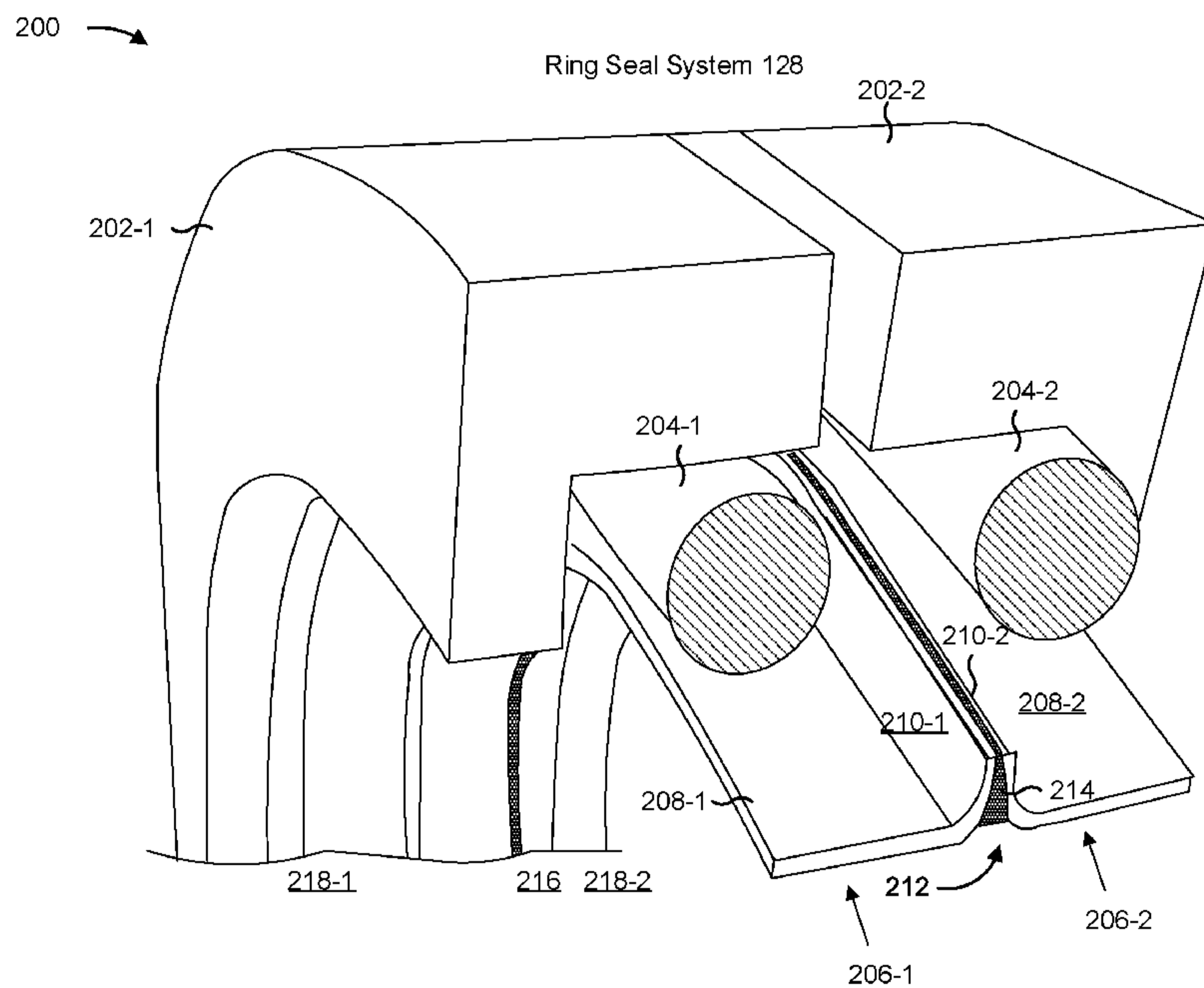


FIG. 2

(57) Abstract: A ring seal system is disclosed. The ring seal system may include a first ring assembly (206-1) that includes a first sealing surface. The ring seal system may include a second ring assembly (206-2) that includes a second sealing surface. The ring seal system may include a plate (214), between the first ring assembly and the second ring assembly, that includes a first contact surface and a second contact surface. The ring seal system may include a coating on the first contact surface and the second contact surface. The first contact surface may be mechanically connected to the first sealing surface to form a first seal with the first sealing surface. The second contact surface may be mechanically connected to the second sealing surface form a second seal with the second sealing surface.



WO 2020/131268 A8

MG, MK, MN, MW, MX, MY, MZ, NA, NG, NI, NO, NZ,
OM, PA, PE, PG, PH, PL, PT, QA, RO, RS, RU, RW, SA,
SC, SD, SE, SG, SK, SL, SM, ST, SV, SY, TH, TJ, TM, TN,
TR, TT, TZ, UA, UG, US, UZ, VC, VN, ZA, ZM, ZW.

(84) Designated States (*unless otherwise indicated, for every kind of regional protection available*): ARIPO (BW, GH, GM, KE, LR, LS, MW, MZ, NA, RW, SD, SL, ST, SZ, TZ, UG, ZM, ZW), Eurasian (AM, AZ, BY, KG, KZ, RU, TJ, TM), European (AL, AT, BE, BG, CH, CY, CZ, DE, DK, EE, ES, FI, FR, GB, GR, HR, HU, IE, IS, IT, LT, LU, LV, MC, MK, MT, NL, NO, PL, PT, RO, RS, SE, SI, SK, SM, TR), OAPI (BF, BJ, CF, CG, CI, CM, GA, GN, GQ, GW, KM, ML, MR, NE, SN, TD, TG).

Published:

— *with international search report (Art. 21(3))*

(48) Date of publication of this corrected version:

22 July 2021 (22.07.2021)

(15) Information about Correction:

see Notice of 22 July 2021 (22.07.2021)