



US0D1082020S

(12) **United States Design Patent**
Ji et al.

(10) **Patent No.:** **US D1,082,020 S**

(45) **Date of Patent:** **** Jul. 1, 2025**

(54) **APPARATUS FOR BEAUTY TREATMENT USING HIGH FREQUENCY**

(71) Applicant: **APR Co., Ltd.**, Seoul (KR)

(72) Inventors: **Jong Chul Ji**, Seoul (KR); **Gyoun Jung Lee**, Seoul (KR); **Seung Woo Park**, Seoul (KR)

(73) Assignee: **APR Co., Ltd.**, Seoul (KR)

(**) Term: **15 Years**

(21) Appl. No.: **29/894,831**

(22) Filed: **Jun. 14, 2023**

(30) **Foreign Application Priority Data**

May 23, 2023 (KR) 30-2023-0019697

(51) **LOC (15) Cl.** **24-01**

(52) **U.S. Cl.**
USPC **D24/200; D24/216**

(58) **Field of Classification Search**
USPC D24/200, 214, 215; D32/45, 52
CPC A61H 7/001; A61H 7/002; A61H 7/003;
A61H 7/004; A61H 7/005; A61H 7/007;
A61H 7/008; A61H 2201/1671; A61H
2205/022; A61H 2205/025; A61H
2205/06; A61H 2205/10; A61H 2207/00
See application file for complete search history.

(56) **References Cited**

U.S. PATENT DOCUMENTS

D599,029 S * 8/2009 Ferber D24/215
D752,235 S * 3/2016 Levi D24/200

D768,867 S * 10/2016 Hetzel D24/214
D969,333 S * 11/2022 Brown D24/215
D1,024,348 S * 4/2024 Brown D24/215
D1,067,038 S * 3/2025 Graham D9/443
2010/0051039 A1* 3/2010 Ferrara A61H 7/005
128/898
2022/0395421 A1* 12/2022 Brown A61H 9/0057

* cited by examiner

Primary Examiner — Justin M Jonaitis
Assistant Examiner — Holly M Rodriguez
(74) *Attorney, Agent, or Firm* — POKALSKY
WILCZYNSKI BROZEK LLP; Patricia A Wilczynski
Brozek

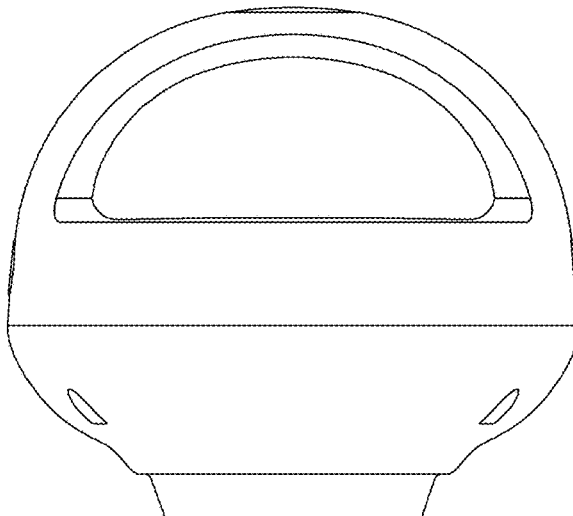
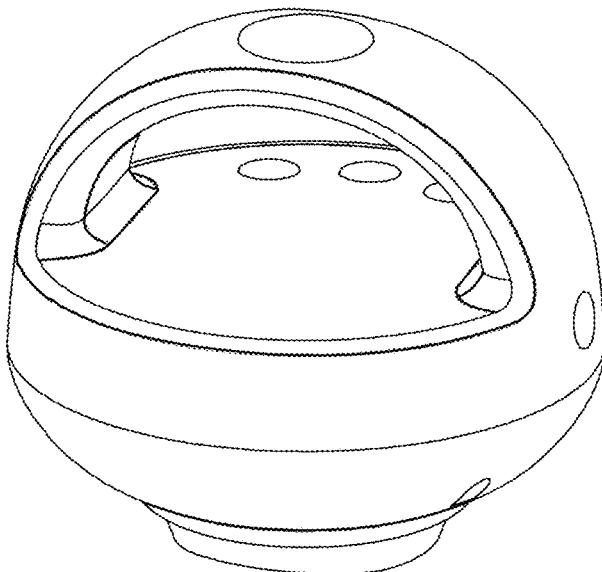
(57) **CLAIM**

The ornamental design for an apparatus for beauty treatment using high frequency, as shown and described.

DESCRIPTION

FIG. 1 is a perspective view of an apparatus for beauty treatment using high frequency showing the new design; FIG. 2 is a front elevation view thereof; FIG. 3 is a back elevation view thereof; FIG. 4 is a left side view thereof; FIG. 5 is a right side view thereof; FIG. 6 is a top plan view thereof; and, FIG. 7 is a bottom plan view thereof. The broken lines shown in FIGS. 3 and 7 are for the purpose of illustrating portions of the apparatus for beauty treatment using high frequency that form no part of the claimed design.

1 Claim, 4 Drawing Sheets



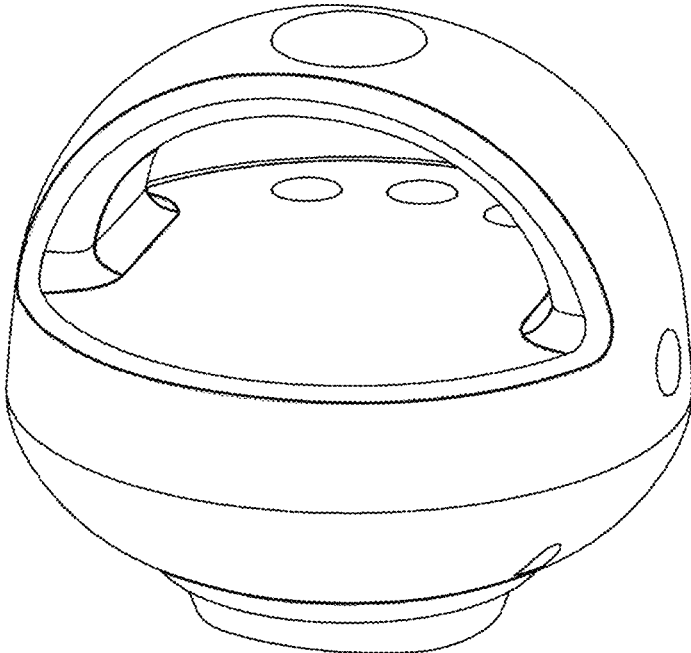


Fig. 1

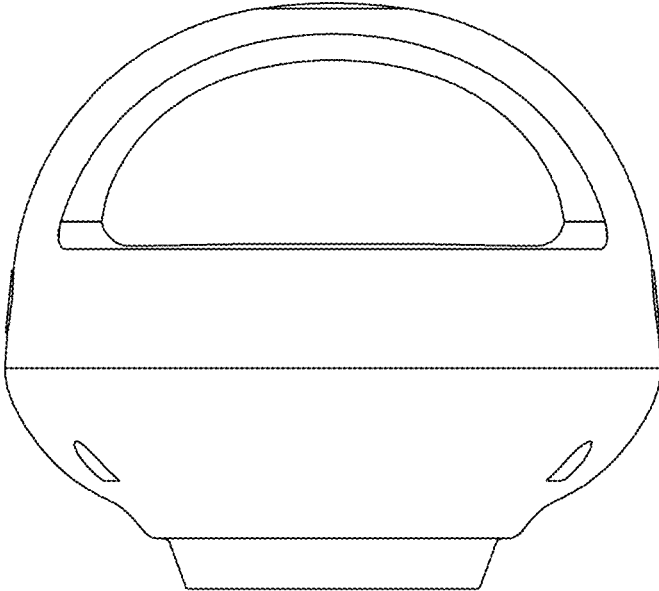


Fig. 2

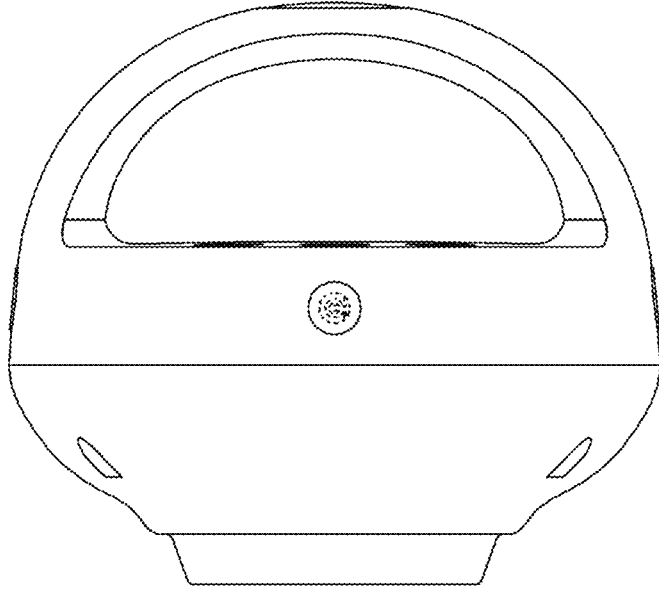


Fig. 3

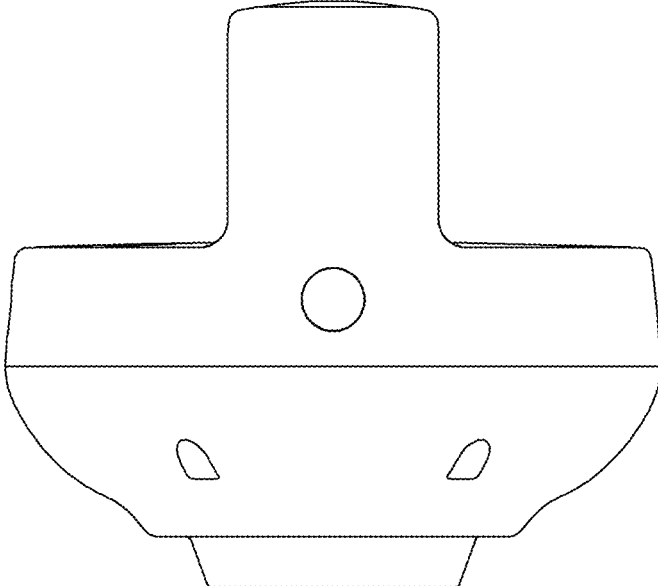


Fig. 4

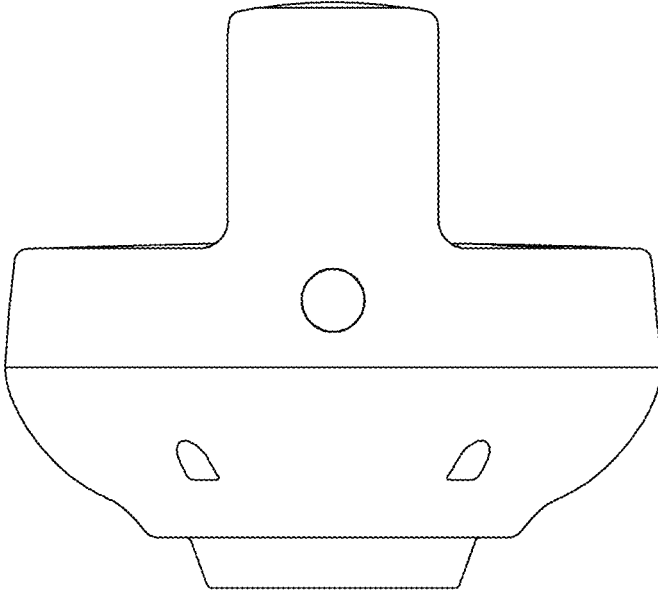


Fig. 5

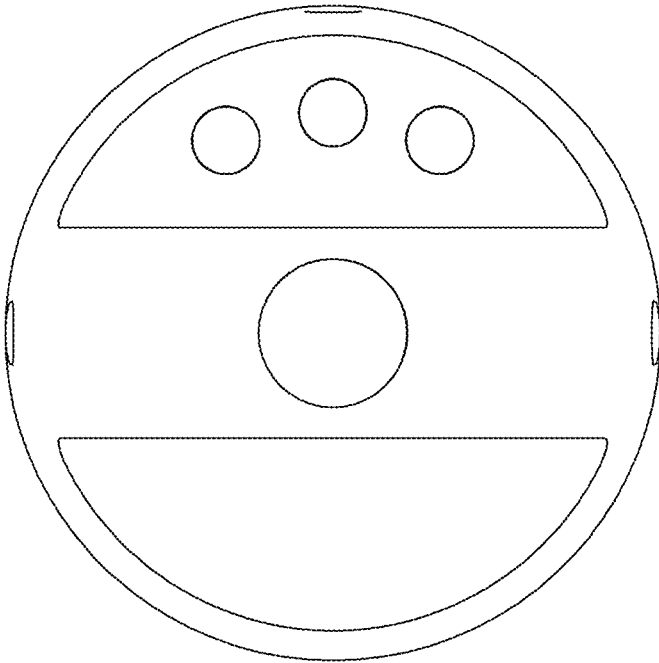


Fig. 6

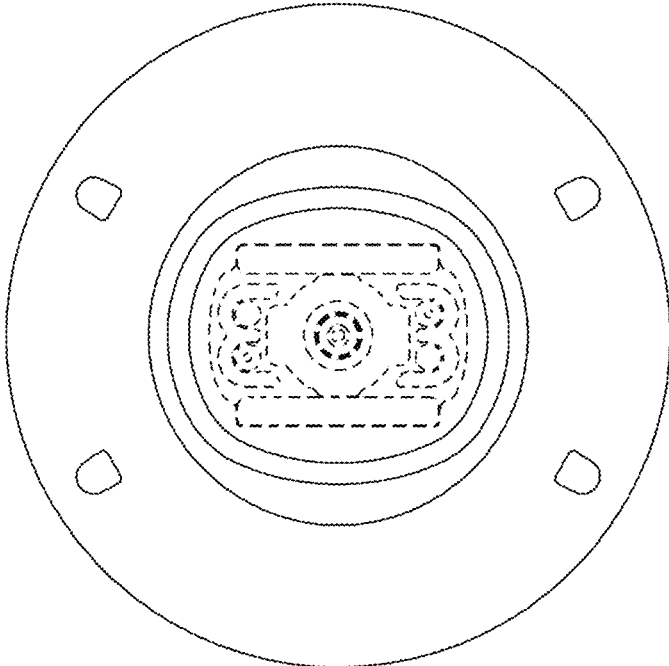


Fig. 7