



US00D679662S

(12) **United States Design Patent**
Svelnis et al.

(10) **Patent No.:** **US D679,662 S**

(45) **Date of Patent:** **** Apr. 9, 2013**

(54) **PLUG FOR HI POWER CONNECTOR**

(75) Inventors: **Christine M Svelnis**, Boylston, MA (US); **Craig H Baker**, Shrewsbury, MA (US); **Jeffrey S Burkhardt**, Brookline, NH (US)

(73) Assignee: **Anderson Power Products, Inc.**, Sterling, MA (US)

(**) Term: **14 Years**

(21) Appl. No.: **29/386,621**

(22) Filed: **Mar. 3, 2011**

Related U.S. Application Data

(63) Continuation-in-part of application No. 29/368,435, filed on Aug. 24, 2010, now abandoned.

(51) **LOC (9) Cl.** **13-03**

(52) **U.S. Cl.** **D13/154; D13/133; D13/156**

(58) **Field of Classification Search** D13/133, D13/146, 147, 154, 156, 184, 199; 439/304, 439/310, 325, 338, 344, 345, 347, 350, 367, 439/370, 374, 527, 533, 607.53, 894, 901, 439/903

See application file for complete search history.

(56) **References Cited**

U.S. PATENT DOCUMENTS

D306,426 S *	3/1990	Endo et al.	D13/133
D311,379 S *	10/1990	Kuzuno et al.	D13/147
D311,733 S *	10/1990	Kuzuno et al.	
D319,043 S *	8/1991	Hayashi et al.	D13/133
5,127,848 A	7/1992	Taguchi	

5,651,689 A	7/1997	Plyler et al.	
D415,999 S	11/1999	Esposito	
6,171,136 B1	1/2001	Liu et al.	
D472,524 S *	4/2003	Yamawaki et al.	D13/147
D503,150 S	3/2005	Yamawaki et al.	
D521,934 S *	5/2006	Zhuang et al.	D13/147
D522,459 S	6/2006	Chen et al.	
D544,843 S	6/2007	Sugita et al.	
D599,297 S	9/2009	Chen	
D636,346 S *	4/2011	Svelnis et al.	D13/154
D643,371 S *	8/2011	Svelnis et al.	D13/154
D672,725 S *	12/2012	Svelnis et al.	D13/151
D672,726 S *	12/2012	Svelnis et al.	D13/151

* cited by examiner

Primary Examiner — Daniel Bui

(74) *Attorney, Agent, or Firm* — Maine Cernota & Rardin

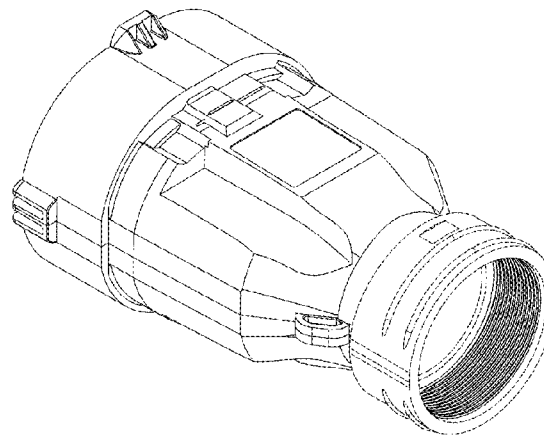
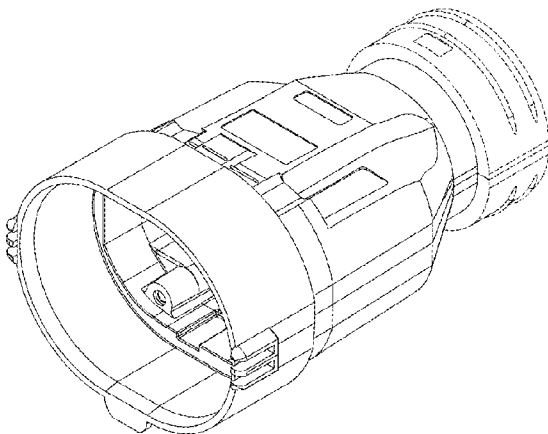
(57) **CLAIM**

The ornamental design for a plug for hi power connector, as shown and described.

DESCRIPTION

FIG. 1 is a front view of a plug for hi power connector showing our new design; FIG. 2 is a top view thereof; FIG. 3 is a bottom view thereof; FIG. 4 is a right side view thereof; FIG. 5 is a left side view thereof; FIG. 6 is a back view thereof; FIG. 7 is a front, top perspective view thereof; and, FIG. 8 is a back, bottom perspective view thereof. The broken line portion of the figure drawings is included to show unclaimed subject matter only and forms no part of the claimed design.

1 Claim, 8 Drawing Sheets



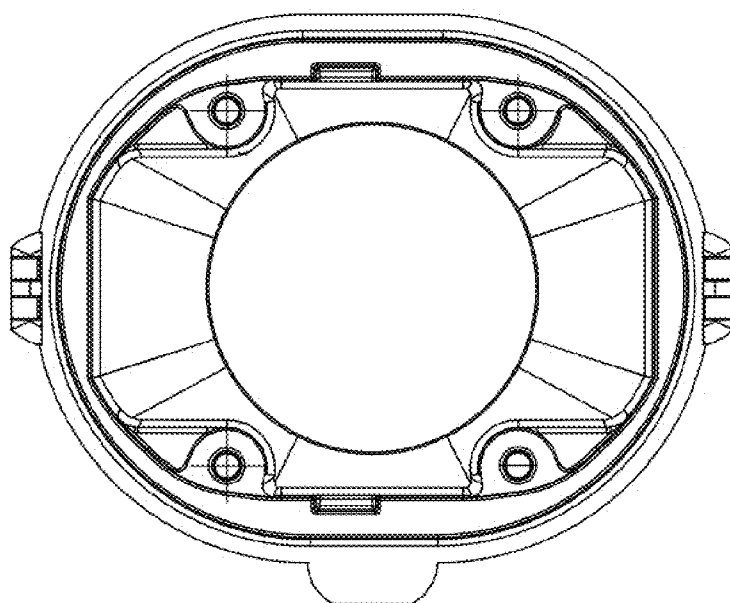


FIG. 1

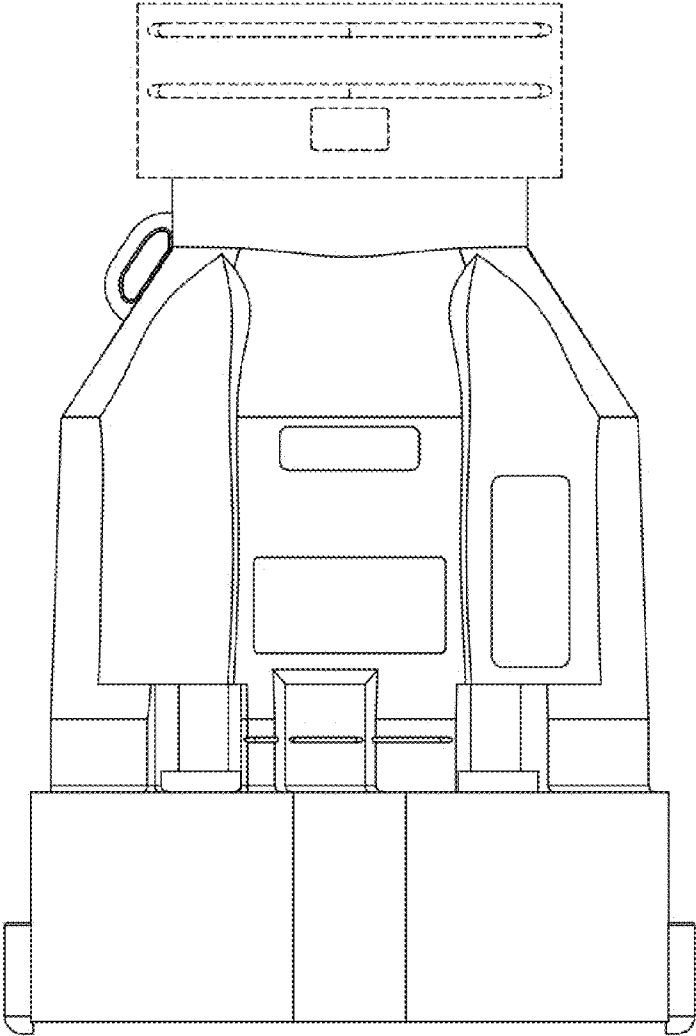


FIG. 2

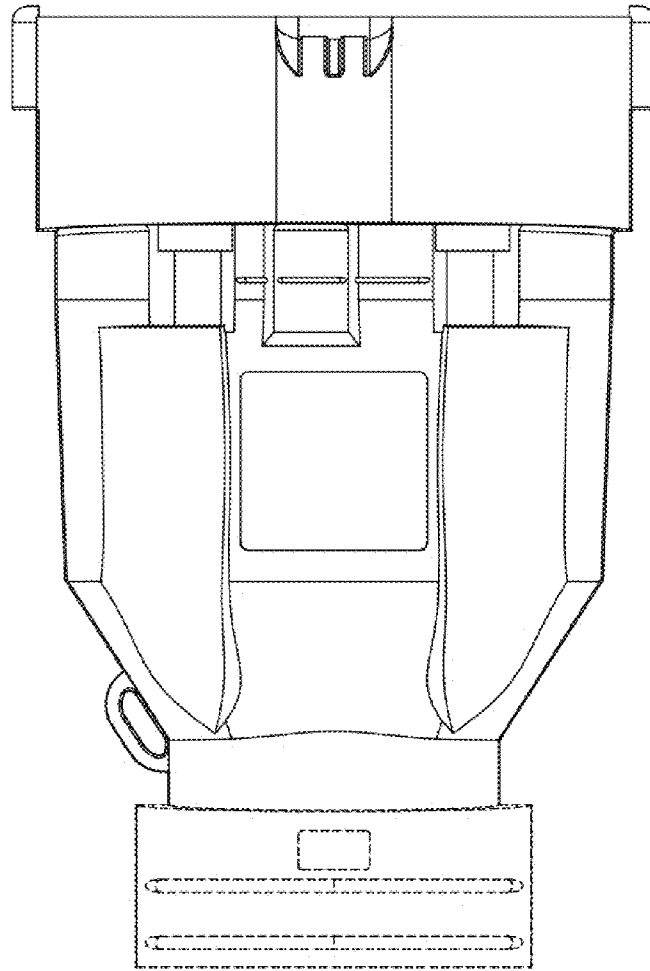


FIG. 3

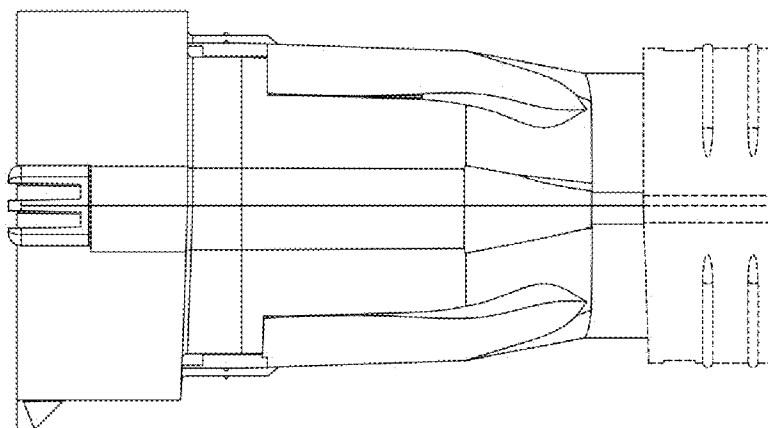


FIG. 4

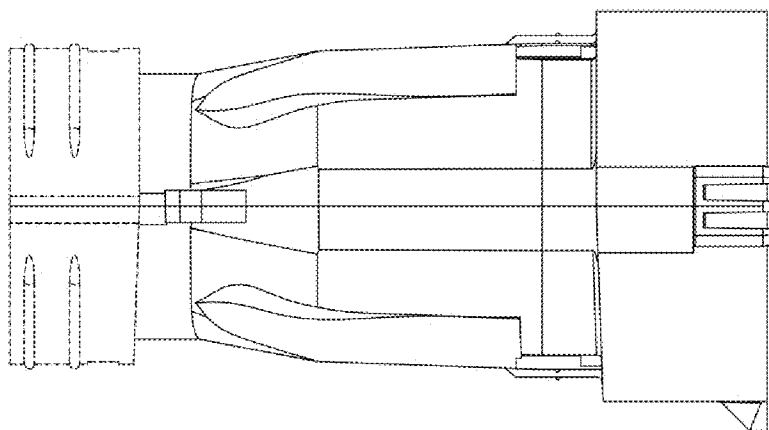


FIG. 5

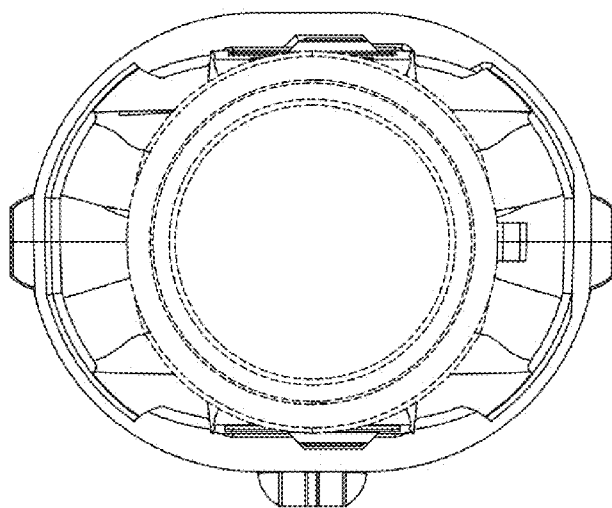


FIG. 6

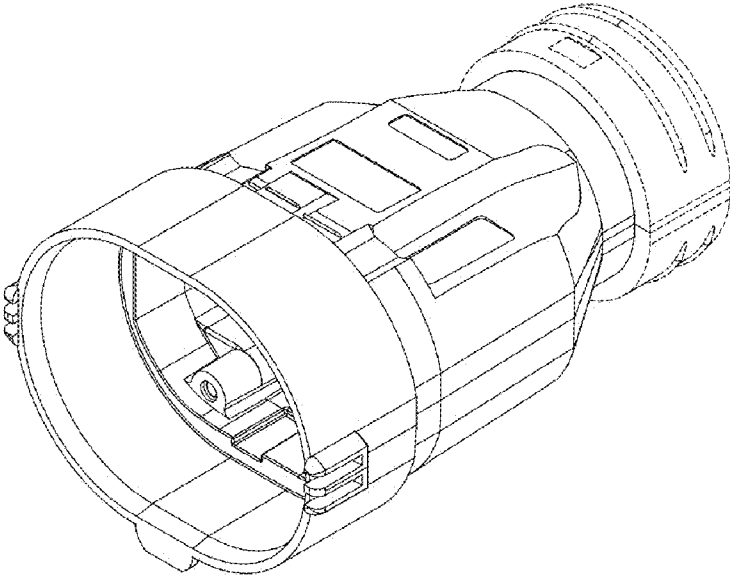


FIG. 7

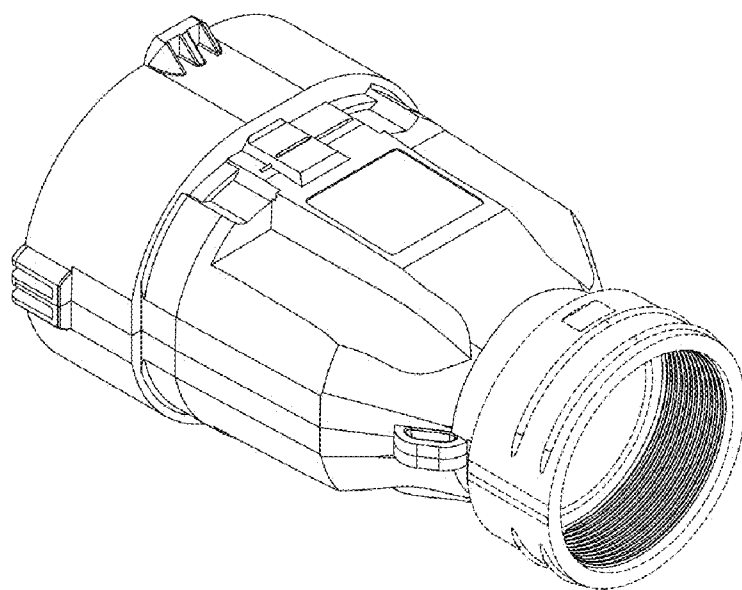


FIG. 8