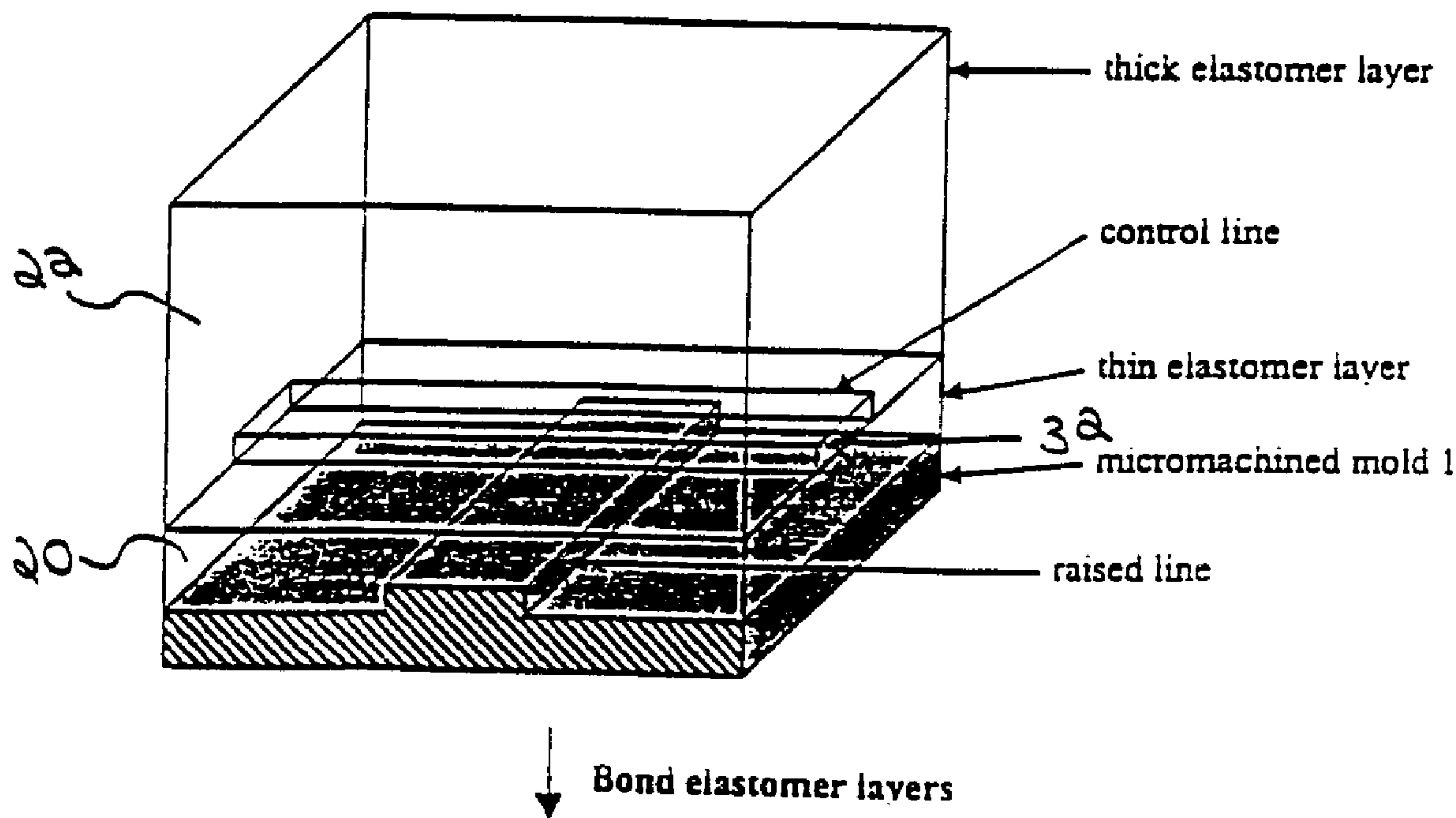




(86) Date de dépôt PCT/PCT Filing Date: 2000/06/27
 (87) Date publication PCT/PCT Publication Date: 2001/01/04
 (85) Entrée phase nationale/National Entry: 2001/12/18
 (86) N° demande PCT/PCT Application No.: US 2000/017740
 (87) N° publication PCT/PCT Publication No.: 2001/001025
 (30) Priorités/Priorities: 1999/06/28 (60/141,503) US;
 1999/08/30 (60/147,199) US; 2000/03/03 (60/186,856) US

(51) Cl.Int.⁷/Int.Cl.⁷ F04B 43/04, F15C 5/00
 (71) Demandeur/Applicant:
 CALIFORNIA INSTITUTE OF TECHNOLOGY, US
 (72) Inventeurs/Inventors:
 UNGER, MARC A., US;
 CHOU, HOU-PU, US;
 THORSEN, TODD A., US;
 SCHERER, AXEL, US;
 QUAKE, STEPHEN R., US
 (74) Agent: FETHERSTONHAUGH & CO.

(54) Titre : **OBTURATEUR ELASTOMERE MICRO-USINE ET SYSTEMES DE POMPE**
 (54) Title: **MICROFABRICATED ELASTOMERIC VALVE AND PUMP SYSTEMS**



(57) **Abrégé/Abstract:**

A method of fabricating an elastomeric structure, comprising : forming a first elastomeric layer on top of a first micromachined mold, the first micromachined mold having a first raised protrusion which forms a first recess extending along a bottom surface of the first elastomeric layer; forming a second elastomeric layer on top of a second micromachined mold, the second micromachined mold having a second raised protrusion which forms a second recess extending along a bottom surface of the second elastomeric layer; bonding the bottom surface of the second elastomeric layer onto a top surface of the first elastomeric layer such that a control channel forms in the second recess between the first and second elastomeric layers; and positioning the first elastomeric layer on top of a planar substrate such that a flow channel forms in the first recess between the first elastomeric layer and the planar substrate.

(12) INTERNATIONAL APPLICATION PUBLISHED UNDER THE PATENT COOPERATION TREATY (PCT)

(19) World Intellectual Property Organization
International Bureau(43) International Publication Date
4 January 2001 (04.01.2001)

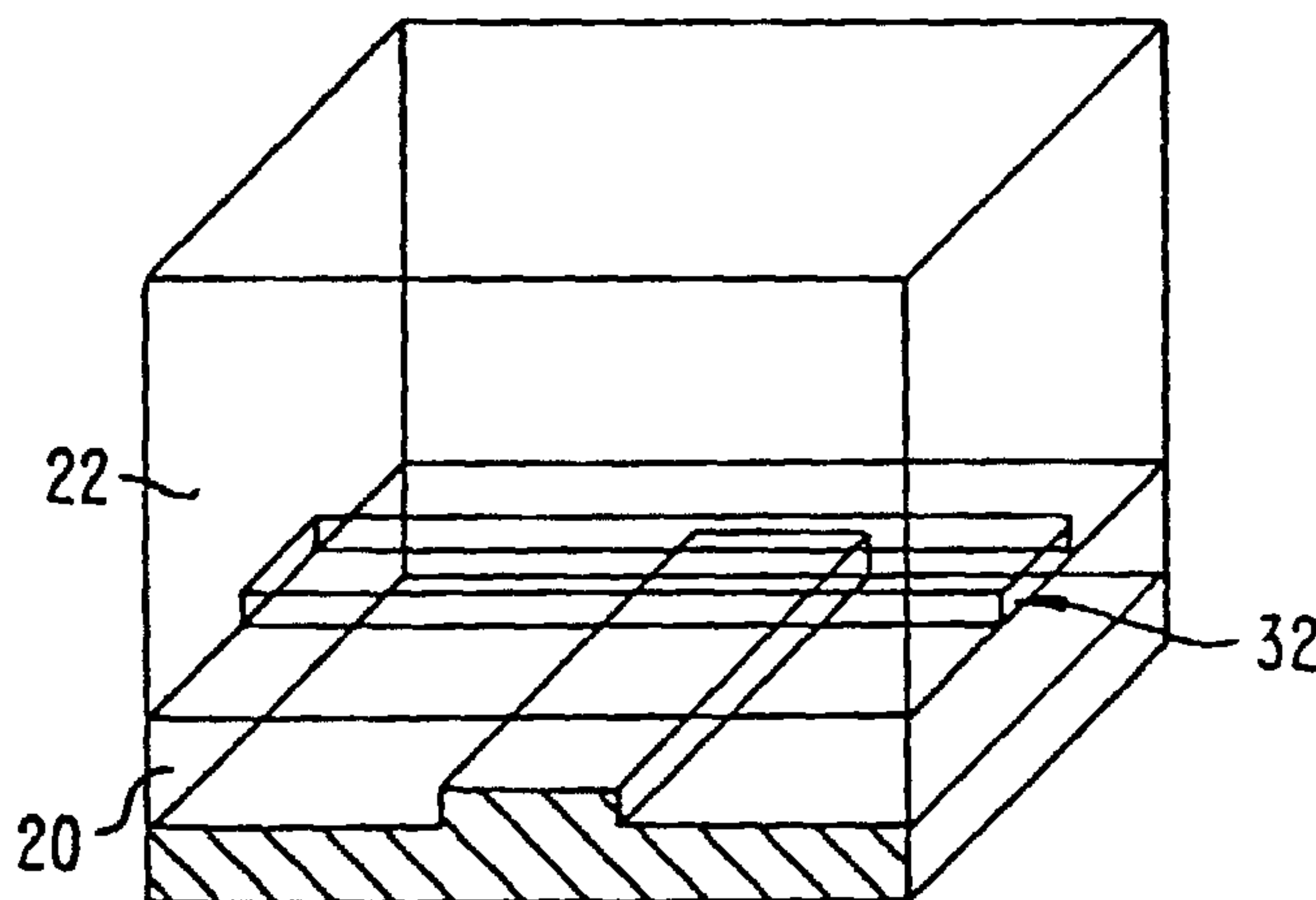
PCT

(10) International Publication Number
WO 01/01025 A3

- (51) International Patent Classification⁷: F04B 43/04, F15C 5/00
- (21) International Application Number: PCT/US00/17740
- (22) International Filing Date: 27 June 2000 (27.06.2000)
- (25) Filing Language: English
- (26) Publication Language: English
- (30) Priority Data:
- | | | |
|------------|-----------------------------|----|
| 60/141,503 | 28 June 1999 (28.06.1999) | US |
| 60/147,199 | 30 August 1999 (30.08.1999) | US |
| 60/186,856 | 3 March 2000 (03.03.2000) | US |
- (63) Related by continuation (CON) or continuation-in-part (CIP) to earlier applications:
- | | |
|----------|-----------------------------|
| US | 60/141,503 (CON) |
| Filed on | 28 June 1999 (28.06.1999) |
| US | 60/147,199 (CON) |
| Filed on | 30 August 1999 (30.08.1999) |
| US | 60/186,856 (CON) |
| Filed on | 3 March 2000 (03.03.2000) |
- (71) Applicant (for all designated States except US): CALIFORNIA INSTITUTE OF TECHNOLOGY [US/US]; 1200 East California Blvd., Pasadena, CA 92115 (US).
- (72) Inventors; and
- (75) Inventors/Applicants (for US only): UNGER, Marc, A. [US/US]; 48 S. Oak Avenue, #5, Pasadena, CA 91107 (US). CHOU, Hou-Pu [—/US]; 1028 E. Del Mar Blvd. #207, Pasadena, CA 91106 (US). THORSEN, Todd, A. [US/US]; 810 N. Michigan Avenue, Pasadena, CA 91104 (US). SCHERER, Axel [US/US]; 1900 Catalina Street, Laguna Beach, CA 92651 (US). QUAKE, Stephen, R. [US/US]; 744 Plymouth Road, San Marino, CA 91108 (US).
- (74) Agents: TOBIN, Kent et al.; Townsend and Townsend and Crew LLP, Two Embarcadero Center, 8th Floor, San Francisco, CA 94111 (US).
- (81) Designated States (national): AE, AL, AM, AT, AU, AZ, BA, BB, BG, BR, BY, CA, CH, CN, CR, CU, CZ, DE, DK, DM, DZ, EE, ES, FI, GB, GD, GE, GH, GM, HR, HU, ID, IL, IN, IS, JP, KE, KG, KP, KR, KZ, LC, LK, LR, LS, LT, LU, LV, MA, MD, MG, MK, MN, MW, MX, NO, NZ, PL, PT, RO, RU, SD, SE, SG, SI, SK, SL, TJ, TM, TR, TT, TZ, UA, UG, US, UZ, VN, YU, ZA, ZW.
- (84) Designated States (regional): ARIPO patent (GH, GM, KE, LS, MW, MZ, SD, SL, SZ, TZ, UG, ZW), Eurasian patent (AM, AZ, BY, KG, KZ, MD, RU, TJ, TM), European patent (AT, BE, CH, CY, DE, DK, ES, FI, FR, GB, GR, IE,

[Continued on next page]

(54) Title: MICROFABRICATED ELASTOMERIC VALVE AND PUMP SYSTEMS



(57) Abstract: A method of fabricating an elastomeric structure, comprising : forming a first elastomeric layer on top of a first micromachined mold, the first micromachined mold having a first raised protrusion which forms a first recess extending along a bottom surface of the first elastomeric layer; forming a second elastomeric layer on top of a second micromachined mold, the second micromachined mold having a second raised protrusion which forms a second recess extending along a bottom surface of the second elastomeric layer; bonding the bottom surface of the second elastomeric layer onto a top surface of the first elastomeric layer such that a control channel forms in the second recess between the first and second elastomeric layers; and positioning the first elastomeric layer on top of a planar substrate such that a flow channel forms in the first recess between the first elastomeric layer and the planar substrate.

WO 01/01025 A3

5

MICROFABRICATED ELASTOMERIC VALVE AND PUMP SYSTEMS

CROSS-REFERENCE TO RELATED APPLICATIONS

This nonprovisional patent application claims the benefit of the following previously filed provisional patent applications: U.S. provisional patent application no. 60/141,503 filed June 28, 1999, U.S. provisional patent application no. 60/147,199 filed August 3, 1999, and U.S. provisional patent application no. 60/186,856 filed March 3, 2000. The text of these prior provisional patent applications is hereby incorporated by reference.

15

STATEMENT AS TO RIGHTS TO INVENTIONS MADE UNDER FEDERALLY SPONSORED RESEARCH AND DEVELOPMENT

The U.S. Government has a paid-up license in this invention and the right in limited circumstances to require the patent owner to license others on reasonable terms as provided for by the terms of Grant No. HG-01642-02. awarded by the National Institute of Health.

20

TECHNICAL FIELD

The present invention relates to microfabricated structures and methods for producing microfabricated structures, and to microfabricated systems for regulating fluid-flow.

25

BACKGROUND OF THE INVENTION

Various approaches to designing micro-fluidic pumps and valves have been attempted. Unfortunately, each of these approaches suffers from its own limitations.

The two most common methods of producing microelectromechanical (MEMS) structures such as pumps and valves are silicon-based bulk micro-machining (which is a subtractive fabrication method whereby single crystal silicon is lithographically patterned and then etched to form three-dimensional structures), and surface micro-machining (which is an additive method where layers of semiconductor-

30

type materials such as polysilicon, silicon nitride, silicon dioxide, and various metals are sequentially added and patterned to make three-dimensional structures).

A limitation of the first approach of silicon-based micro-machining is that the stiffness of the semiconductor materials used necessitates high actuation forces, which in turn result in large and complex designs. In fact, both bulk and surface micro-machining methods are limited by the stiffness of the materials used. In addition, adhesion between various layers of the fabricated device is also a problem. For example, in bulk micro-machining, wafer bonding techniques must be employed to create multilayer structures. On the other hand, when surface micro-machining, thermal stresses between the various layers of the device limits the total device thickness, often to approximately 20 microns. Using either of the above methods, clean room fabrication and careful quality control are required.

SUMMARY OF THE INVENTION

The present invention sets forth systems for fabricating and operating microfabricated structures such as on/off valves, switching valves, and pumps e.g. made out of various layers of elastomer bonded together. The present structures and methods are ideally suited for controlling and channeling fluid movement, but are not so limited.

In a preferred aspect, the present invention uses a multilayer soft lithography process to build integrated (i.e.: monolithic) microfabricated elastomeric structures.

Advantages of fabricating the present structures by binding together layers of soft elastomeric materials include the fact that the resulting devices are reduced by more than two orders of magnitude in size as compared to silicon-based devices. Further advantages of rapid prototyping, ease of fabrication, and biocompatibility are also achieved.

In preferred aspects of the invention, separate elastomeric layers are fabricated on top of micromachined molds such that recesses are formed in each of the various elastomeric layers. By bonding these various elastomeric layers together, the recesses extending along the various elastomeric layers form flow channels and control lines through the resulting monolithic, integral elastomeric structure. In various aspects of the invention, these flow channels and control lines which are formed in the elastomeric structure can be actuated to function as micro-pumps and micro-valves, as will be explained.

In further optional aspects of the invention, the monolithic elastomeric structure is sealed onto the top of a planar substrate, with flow channels being formed between the surface of the planar substrate and the recesses which extend along the bottom surface of the elastomeric structure.

5 In one preferred aspect, the present monolithic elastomeric structures are constructed by bonding together two separate layers of elastomer with each layer first being separately cast from a micromachined mold. Preferably, the elastomer used is a two-component addition cure material in which the bottom elastomeric layer has an excess of one component, while the top elastomeric layer has an excess of another
10 component. In an exemplary embodiment, the elastomer used is silicone rubber. Two layers of elastomer are cured separately. Each layer is separately cured before the top layer is positioned on the bottom layer. The two layers are then bonded together. Each layer preferably has an excess of one of the two components, such that reactive molecules remain at the interface between the layers. The top layer is assembled on top of the
15 bottom layer and heated. The two layers bond irreversibly such that the strength of the interface approaches or equals the strength of the bulk elastomer. This creates a monolithic three-dimensional patterned structure composed entirely of two layers of bonded together elastomer. Additional layers may be added by simply repeating the process, wherein new layers, each having a layer of opposite "polarity" are cured, and
20 thereby bonded together.

In a second preferred aspect, a first photoresist layer is deposited on top of a first elastomeric layer. The first photoresist layer is then patterned to leave a line or pattern of lines of photoresist on the top surface of the first elastomeric layer. Another layer of elastomer is then added and cured, encapsulating the line or pattern of lines of
25 photoresist. A second photoresist layer is added and patterned, and another layer of elastomer added and cured, leaving line and patterns of lines of photoresist encapsulated in a monolithic elastomer structure. This process may be repeated to add more encapsulated patterns and elastomer layers. Thereafter, the photoresist is removed leaving flow channel(s) and control line(s) in the spaces which had been occupied by the
30 photoresist. This process may be repeated to create elastomer structures having a multitude of layers.

An advantage of patterning moderate sized features (≥ 10 microns) using a photoresist method is that a high resolution transparency film can be used as a contact

mask. This allows a single researcher to design, print, pattern the mold, and create a new set of cast elastomer devices, typically all within 24 hours.

5 A further advantage of either above embodiment of the present invention is that due to its monolithic or integral nature, (i.e., all the layers are composed of the same material) is that interlayer adhesion failures and thermal stress problems are completely avoided.

10 Further advantages of the present invention's preferred use of a silicone rubber or elastomer such as RTV 615 manufactured by General Electric, is that it is transparent to visible light, making a multilayer optical trains possible, thereby allowing optical interrogation of various channels or chambers in the microfluidic device. As appropriately shaped elastomer layers can serve as lenses and optical elements, bonding of layers allows the creation of multilayer optical trains. In addition, GE RTV 615 elastomer is biocompatible. Being soft, closed valves form a good seal even if there are small particulates in the flow channel. Silicone rubber is also bio-compatible and
15 inexpensive, especially when compared with a single crystal silicon.

Monolithic elastomeric valves and pumps also avoid many of the practical problems affecting flow systems based on electro-osmotic flow. Typically, electro-osmotic flow systems suffer from bubble formation around the electrodes and the flow is strongly dependent on the composition of the flow medium. Bubble formation seriously
20 restricts the use of electro-osmotic flow in microfluidic devices, making it difficult to construct functioning integrated devices. The magnitude of flow and even its direction typically depends in a complex fashion on ionic strength and type, the presence of surfactants and the charge on the walls of the flow channel. Moreover, since electrolysis is taking place continuously, the eventual capacity of buffer to resist pH changes may also
25 be reached. Furthermore, electro-osmotic flow always occurs in competition with electrophoresis. As different molecules may have different electrophoretic mobilities, unwanted electrophoretic separation may occur in the electro-osmotic flow. Finally, electro-osmotic flow can not easily be used to stop flow, halt diffusion, or to balance pressure differences.

30 A further advantage of the present monolithic elastomeric valve and pump structures are that they can be actuated at very high speeds. For example, the present inventors have achieved a response time for a valve with aqueous solution therein on the order of one millisecond, such that the valve opens and closes at speeds approaching or exceeding 100 Hz. In particular, a non-exclusive list of ranges of cycling speeds for the

opening and closing of the valve structure include between about 0.001 and 10000 ms, between about 0.01 and 1000 ms, between about 0.1 and 100 ms, and between about 1 and 10 ms. The cycling speeds depend upon the composition and structure of a valve used for a particular application and the method of actuation, and thus cycling speeds outside of
5 the listed ranges would fall within the scope of the present invention.

Further advantages of the present pumps and valves are that their small size makes them fast and their softness contributes to making them durable. Moreover, as they close linearly with differential applied pressure, this linear relationship allows fluid metering and valve closing in spite of high back pressures.

10 In various aspects of the invention, a plurality of flow channels pass through the elastomeric structure with a second flow channel extending across and above a first flow channel. In this aspect of the invention, a thin membrane of elastomer separates the first and second flow channels. As will be explained, downward movement of this membrane (due to the second flow channel being pressurized or the membrane
15 being otherwise actuated) will cut off flow passing through the lower flow channel.

In optional preferred aspects of the present systems, a plurality of individually addressable valves are formed connected together in an elastomeric structure and are then activated in sequence such that peristaltic pumping is achieved. More complex systems including networked or multiplexed control systems, selectably
20 addressable valves disposed in a grid of valves, networked or multiplexed reaction chamber systems and biopolymer synthesis systems are also described.

One embodiment of a microfabricated elastomeric structure in accordance with the present invention comprises an elastomeric block formed with first and second microfabricated recesses therein, a portion of the elastomeric block deflectable when the
25 portion is actuated.

One embodiment of a method of microfabricating an elastomeric structure comprises the steps of microfabricating a first elastomeric layer, microfabricating a second elastomeric layer; positioning the second elastomeric layer on top of the first elastomeric layer, and bonding a bottom surface of the second elastomeric layer onto a
30 top surface of the first elastomeric layer.

A first alternative embodiment of a method of microfabricating an elastomeric structure comprises the steps of forming a first elastomeric layer on top of a first micromachined mold, the first micromachined mold having at least one first raised protrusion which forms at least one first channel in the bottom surface of the first

elastomeric layer. A second elastomeric layer is formed on top of a second micromachined mold, the second micromachined mold having at least one second raised protrusion which forms at least one second channel in the bottom surface of the second elastomeric layer. The bottom surface of the second elastomeric layer is bonded onto a top surface of the first elastomeric layer such that the at least one second channel is enclosed between the first and second elastomeric layers.

A second alternative embodiment of a method of microfabricating an elastomeric structure in accordance with the present invention comprises the steps of forming a first elastomeric layer on top of a substrate, curing the first elastomeric layer, and depositing a first sacrificial layer on the top surface of the first elastomeric layer. A portion of the first sacrificial layer is removed such that a first pattern of sacrificial material remains on the top surface of the first elastomeric layer. A second elastomeric layer is formed over the first elastomeric layer thereby encapsulating the first pattern of sacrificial material between the first and second elastomeric layers. The second elastomeric layer is cured and then sacrificial material is removed thereby forming at least one first recess between the first and second layers of elastomer.

An embodiment of a method of actuating an elastomeric structure in accordance with the present invention comprises providing an elastomeric block formed with first and second microfabricated recesses therein, the first and second microfabricated recesses being separated by a portion of the structure which is deflectable into either of the first or second recesses when the other of the first and second recesses. One of the recesses is pressurized such that the portion of the elastomeric structure separating the second recess from the first recess is deflected into the other of the two recesses.

In other optional preferred aspects, magnetic or conductive materials can be added to make layers of the elastomer magnetic or electrically conducting, thus enabling the creation of all elastomer electromagnetic devices.

BRIEF DESCRIPTION OF THE DRAWINGS

30

Part I - Figs. 1 to 7A illustrate successive steps of a first method of fabricating the present invention, as follows:

Fig. 1 is an illustration of a first elastomeric layer formed on top of a micromachined mold.

Fig. 2 is an illustration of a second elastomeric layer formed on top of a micromachined mold.

Fig. 3 is an illustration of the elastomeric layer of Fig. 2 removed from the micromachined mold and positioned over the top of the elastomeric layer of Fig. 1

5 Fig. 4 is an illustration corresponding to Fig. 3, but showing the second elastomeric layer positioned on top of the first elastomeric layer.

Fig. 5 is an illustration corresponding to Fig. 4, but showing the first and second elastomeric layers bonded together.

10 Fig. 6 is an illustration corresponding to Fig. 5, but showing the first micromachine mold removed and a planar substrate positioned in its place.

Fig. 7A is an illustration corresponding to Fig. 6, but showing the elastomeric structure sealed onto the planar substrate.

Figs. 7B is a front sectional view corresponding to Fig. 7A, showing an open flow channel.

15 Figs. 7C-7G are illustrations showing steps of a method for forming an elastomeric structure having a membrane formed from a separate elastomeric layer.

Part II - Fig. 7H show the closing of a first flow channel by pressurizing a second flow channel, as follows:

20 Fig. 7H corresponds to Fig. 7A, but shows a first flow channel closed by pressurization in second flow channel.

Part III - Figs. 8 to 18 illustrate successive steps of a second method of fabricating the present invention, as follows:

25 Fig. 8 is an illustration of a first elastomeric layer deposited on a planar substrate.

Fig. 9 is an illustration showing a first photoresist layer deposited on top of the first elastomeric layer of Fig. 8.

30 Fig. 10 is an illustration showing the system of Fig. 9, but with a portion of the first photoresist layer removed, leaving only a first line of photoresist.

Fig. 11 is an illustration showing a second elastomeric layer applied on top of the first elastomeric layer over the first line of photoresist of Fig. 10, thereby encasing the photoresist between the first and second elastomeric layers.

Fig. 12 corresponds to Fig. 11, but shows the integrated monolithic structure produced after the first and second elastomer layers have been bonded together.

Fig. 13 is an illustration showing a second photoresist layer deposited on top of the integral elastomeric structure of Fig. 12.

5 Fig. 14 is an illustration showing the system of Fig. 13, but with a portion of the second photoresist layer removed, leaving only a second line of photoresist.

Fig. 15 is an illustration showing a third elastomer layer applied on top of the second elastomeric layer and over the second line of photoresist of Fig. 14, thereby encapsulating the second line of photoresist between the elastomeric structure of Fig. 12
10 and the third elastomeric layer.

Fig. 16 corresponds to Fig. 15, but shows the third elastomeric layer cured so as to be bonded to the monolithic structure composed of the previously bonded first and second elastomer layers.

Fig. 17 corresponds to Fig. 16, but shows the first and second lines of
15 photoresist removed so as to provide two perpendicular overlapping, but not intersecting, flow channels passing through the integrated elastomeric structure.

Fig. 18 is an illustration showing the system of Fig. 17, but with the planar substrate thereunder removed.

20 **Part IV - Figs. 19 and 20 show further details of different flow channel cross-sections, as follows:**

Fig. 19 shows a rectangular cross-section of a first flow channel.

Fig. 20 shows the flow channel cross section having a curved upper
surface.

25

Part V - Figs. 21 to 24 show experimental results achieved by preferred embodiments of the present microfabricated valve:

Fig. 21 illustrates valve opening vs. applied pressure for various flow channels.

30 Fig. 22 illustrates time response of a $100\mu\text{m}\times 100\mu\text{m}\times 10\mu\text{m}$ RTV microvalve.

Part VI – Figs. 23A to 33 show various microfabricated structures, networked together according to aspects of the present invention:

Fig. 23A is a top schematic view of an on/off valve.

Fig. 23B is a sectional elevation view along line 23B-23B in Fig. 23A

5 Fig. 24 is a top schematic view of a peristaltic pumping system.

Fig. 24B is a sectional elevation view along line 24B-24B in Fig. 24A

Fig. 25 is a graph showing experimentally achieved pumping rates vs. frequency for an embodiment of the peristaltic pumping system of Fig. 24.

10 Fig. 26A is a top schematic view of one control line actuating multiple flow lines simultaneously.

Fig. 26B is a sectional elevation view along line 26B-26B in Fig. 26A

Fig. 27 is a schematic illustration of a multiplexed system adapted to permit flow through various channels.

15 Fig. 28A is a plan view of a flow layer of an addressable reaction chamber structure.

Fig. 28B is a bottom plan view of a control channel layer of an addressable reaction chamber structure.

20 Fig. 28C is an exploded perspective view of the addressable reaction chamber structure formed by bonding the control channel layer of Fig 28B to the top of the flow layer of Fig 28A.

Fig. 28D is a sectional elevation view corresponding to Fig. 28C, taken along line 28D-28D in Fig. 28C.

Fig. 29 is a schematic of a system adapted to selectively direct fluid flow into any of an array of reaction wells.

25 Fig. 30 is a schematic of a system adapted for selectable lateral flow between parallel flow channels.

Fig. 31A is a bottom plan view of first layer (i.e.: the flow channel layer) of elastomer of a switchable flow array.

30 Fig. 31B is a bottom plan view of a control channel layer of a switchable flow array.

Fig. 31C shows the alignment of the first layer of elastomer of Fig. 31A with one set of control channels in the second layer of elastomer of Fig. 31B.

Fig. 31D also shows the alignment of the first layer of elastomer of Fig. 31A with the other set of control channels in the second layer of elastomer of Fig. 31B.

Fig. 32 is a schematic of an integrated system for biopolymer synthesis.

Fig. 33 is a schematic of a further integrated system for biopolymer synthesis.

Fig. 34 is an optical micrograph of a section of a test structure having seven layers of elastomer bonded together.

Figs. 35A-35D show the steps of one embodiment of a method for fabricating an elastomer layer having a vertical via formed therein.

Fig. 36 shows one embodiment of a sorting apparatus in accordance with the present invention.

Fig. 37 shows an embodiment of an apparatus for flowing process gases over a semiconductor wafer in accordance with the present invention.

Fig. 38 shows an exploded view of one embodiment of a micro-mirror array structure in accordance with the present invention.

Fig. 39 shows a perspective view of a first embodiment of a refractive device in accordance with the present invention.

Fig. 40 shows a perspective view of a second embodiment of a refractive device in accordance with the present invention.

Fig. 41 shows a perspective view of a third embodiment of a refractive device in accordance with the present invention.

Figs. 42A-42J show views of one embodiment of a normally-closed valve structure in accordance with the present invention.

Figs. 43 shows a plan view of one embodiment of a device for performing separations in accordance with the present invention.

Figs. 44A-44D show plan views illustrating operation of one embodiment of a cell pen structure in accordance with the present invention.

Figs. 45A-45B show plan and cross-sectional views illustrating operation of one embodiment of a cell cage structure in accordance with the present invention.

Figs. 46A-46B show cross-sectional views illustrating operation of one embodiment of a cell grinder structure in accordance with the present invention.

Fig. 47 shows a plan view of one embodiment of a pressure oscillator structure in accordance with the present invention.

Figs. 48A and 48B show plan views illustrating operation of one embodiment of a side-actuated valve structure in accordance with the present invention.

Fig. 49 plots Young's modulus versus percentage dilution of GE RTV 615 elastomer with GE SF96-50 silicone fluid.

DETAILED DESCRIPTION OF THE PRESENT INVENTION

5 The present invention comprises a variety of microfabricated elastomeric structures which may be used as pumps or valves. Methods of fabricating the preferred elastomeric structures are also set forth.

Methods of Fabricating the Present Invention:

10 Two exemplary methods of fabricating the present invention are provided herein. It is to be understood that the present invention is not limited to fabrication by one or the other of these methods. Rather, other suitable methods of fabricating the present microstructures, including modifying the present methods, are also contemplated.

Figs. 1 to 7B illustrate sequential steps of a first preferred method of
15 fabricating the present microstructure, (which may be used as a pump or valve). Figs. 8 to 18 illustrate sequential steps of a second preferred method of fabricating the present microstructure, (which also may be used as a pump or valve).

As will be explained, the preferred method of Figs. 1 to 7B involves using pre-cured elastomer layers which are assembled and bonded. Conversely, the preferred
20 method of Figs. 8 to 18 involves curing each layer of elastomer "in place". In the following description "channel" refers to a recess in the elastomeric structure which can contain a flow of fluid or gas.

The First Exemplary Method:

25 Referring to Fig. 1, a first micro-machined mold 10 is provided. Micro-machined mold 10 may be fabricated by a number of conventional silicon processing methods, including but not limited to photolithography, ion-milling, and electron beam lithography.

As can be seen, micro-machined mold 10 has a raised line or protrusion 11
30 extending therealong. A first elastomeric layer 20 is cast on top of mold 10 such that a first recess 21 will be formed in the bottom surface of elastomeric layer 20, (recess 21 corresponding in dimension to protrusion 11), as shown.

As can be seen in Fig. 2, a second micro-machined mold 12 having a raised protrusion 13 extending therealong is also provided. A second elastomeric layer 22

is cast on top of mold 12, as shown, such that a recess 23 will be formed in its bottom surface corresponding to the dimensions of protrusion 13.

As can be seen in the sequential steps illustrated in Figs. 3 and 4, second elastomeric layer 22 is then removed from mold 12 and placed on top of first elastomeric layer 20. As can be seen, recess 23 extending along the bottom surface of second elastomeric layer 22 will form a flow channel 32.

Referring to Fig. 5, the separate first and second elastomeric layers 20 and 22 (Fig. 4) are then bonded together to form an integrated (i.e.: monolithic) elastomeric structure 24.

As can be seen in the sequential step of Figs. 6 and 7A, elastomeric structure 24 is then removed from mold 10 and positioned on top of a planar substrate 14. As can be seen in Fig. 7A and 7B, when elastomeric structure 24 has been sealed at its bottom surface to planar substrate 14, recess 21 will form a flow channel 30.

The present elastomeric structures form a reversible hermetic seal with nearly any smooth planar substrate. An advantage to forming a seal this way is that the elastomeric structures may be peeled up, washed, and re-used. In preferred aspects, planar substrate 14 is glass. A further advantage of using glass is that glass is transparent, allowing optical interrogation of elastomer channels and reservoirs. Alternatively, the elastomeric structure may be bonded onto a flat elastomer layer by the same method as described above, forming a permanent and high-strength bond. This may prove advantageous when higher back pressures are used.

As can be seen in Fig. 7A and 7B, flow channels 30 and 32 are preferably disposed at an angle to one another with a small membrane 25 of substrate 24 separating the top of flow channel 30 from the bottom of flow channel 32.

In preferred aspects, planar substrate 14 is glass. An advantage of using glass is that the present elastomeric structures may be peeled up, washed and reused. A further advantage of using glass is that optical sensing may be employed. Alternatively, planar substrate 14 may be an elastomer itself, which may prove advantageous when higher back pressures are used.

The method of fabrication just described may be varied to form a structure having a membrane composed of an elastomeric material different than that forming the walls of the channels of the device. This variant fabrication method is illustrated in Figs. 7C-7G.

Referring to Fig. 7C, a first micro-machined mold 10 is provided. Micro-machined mold 10 has a raised line or protrusion 11 extending therealong. In Fig. 7D, first elastomeric layer 20 is cast on top of first micro-machined mold 10 such that the top of the first elastomeric layer 20 is flush with the top of raised line or protrusion 11. This may be accomplished by carefully controlling the volume of elastomeric material spun onto mold 10 relative to the known height of raised line 11. Alternatively, the desired shape could be formed by injection molding.

In Fig. 7E, second micro-machined mold 12 having a raised protrusion 13 extending therealong is also provided. Second elastomeric layer 22 is cast on top of second mold 12 as shown, such that recess 23 is formed in its bottom surface corresponding to the dimensions of protrusion 13.

In Fig. 7F, second elastomeric layer 22 is removed from mold 12 and placed on top of third elastomeric layer 222. Second elastomeric layer 22 is bonded to third elastomeric layer 20 to form integral elastomeric block 224 using techniques described in detail below. At this point in the process, recess 23 formerly occupied by raised line 13 will form flow channel 23.

In Fig. 7G, elastomeric block 224 is placed on top of first micro-machined mold 10 and first elastomeric layer 20. Elastomeric block and first elastomeric layer 20 are then bonded together to form an integrated (i.e.: monolithic) elastomeric structure 24 having a membrane composed of a separate elastomeric layer 222.

When elastomeric structure 24 has been sealed at its bottom surface to a planar substrate in the manner described above in connection with FIG. 7A, the recess formerly occupied by raised line 11 will form flow channel 30.

The variant fabrication method illustrated above in conjunction with FIGS. 7C-7G offers the advantage of permitting the membrane portion to be composed of a separate material than the elastomeric material of the remainder of the structure. This is important because the thickness and elastic properties of the membrane play a key role in operation of the device. Moreover, this method allows the separate elastomer layer to readily be subjected to conditioning prior to incorporation into the elastomer structure. As discussed in detail below, examples of potentially desirable condition include the introduction of magnetic or electrically conducting species to permit actuation of the membrane, and/or the introduction of dopant into the membrane in order to alter its elasticity.

While the above method is illustrated in connection with forming various shaped elastomeric layers formed by replication molding on top of a micromachined mold, the present invention is not limited to this technique. Other techniques could be employed to form the individual layers of shaped elastomeric material that are to be bonded together. For example, a shaped layer of elastomeric material could be formed by laser cutting or injection molding, or by methods utilizing chemical etching and/or sacrificial materials as discussed below in conjunction with the second exemplary method.

10 **The Second Exemplary Method:**

A second exemplary method of fabricating an elastomeric structure which may be used as a pump or valve is set forth in the sequential steps shown in Figs. 8-18.

In this aspect of the invention, flow and control channels are defined by first patterning photoresist on the surface of an elastomeric layer (or other substrate, which may include glass) leaving a raised line photoresist where a channel is desired. Next, a second layer of elastomer is added thereover and a second photoresist is patterned on the second layer of elastomer leaving a raised line photoresist where a channel is desired. A third layer of elastomer is deposited thereover. Finally, the photoresist is removed by dissolving it out of the elastomer with an appropriate solvent, with the voids formed by removal of the photoresist becoming the flow channels passing through the substrate.

Referring first to Fig. 8, a planar substrate 40 is provided. A first elastomeric layer 42 is then deposited and cured on top of planar substrate 40. Referring to Fig. 9, a first photoresist layer 44A is then deposited over the top of elastomeric layer 42. Referring to Fig. 10, a portion of photoresist layer 44A is removed such that only a first line of photoresist 44B remains as shown. Referring to Fig. 11, a second elastomeric layer 46 is then deposited over the top of first elastomeric layer 42 and over the first line of photoresist 44B as shown, thereby encasing first line of photoresist 44B between first elastomeric layer 42 and second elastomeric layer 46. Referring to Fig. 12, elastomeric layers 46 is then cured on layer 42 to bond the layers together to form a monolithic elastomeric substrate 45.

Referring to Fig. 13, a second photoresist layer 48A is then deposited over elastomeric structure 45. Referring to Fig. 14, a portion of second photoresist layer 48A is removed, leaving only a second photoresist line 48B on top of elastomeric structure 45 as

shown. Referring to Fig. 15, a third elastomeric layer 50 is then deposited over the top of elastomeric structure 45 (comprised of second elastomeric layer 42 and first line of photoresist 44B) and second photoresist line 48B as shown, thereby encasing the second line of photoresist 48B between elastomeric structure 45 and third elastomeric layer 50.

5 Referring to Fig. 16, third elastomeric layer 50 and elastomeric structure 45 (comprising first elastomeric layer 42 and second elastomeric layer 46 bonded together) is then bonded together forming a monolithic elastomeric structure 47 having photoresist lines 44B and 48B passing therethrough as shown. Referring to Fig. 17, photoresist lines 44B, 48B are then removed (for example, by an solvent) such that a first
10 flow channel 60 and a second flow channel 62 are provided in their place, passing through elastomeric structure 47 as shown. Lastly, referring to Fig. 18, planar substrate 40 can be removed from the bottom of the integrated monolithic structure.

The method described in Figs. 8-18 fabricates a patterned elastomer structure utilizing development of photoresist encapsulated within elastomer material.
15 However, the methods in accordance with the present invention are not limited to utilizing photoresist. Other materials such as metals could also serve as sacrificial materials to be removed selective to the surrounding elastomer material, and the method would remain within the scope of the present invention. For example, as described in detail below in connection with Figs. 35A-35D, gold metal may be etched selective to
20 RTV 615 elastomer utilizing the appropriate chemical mixture.

Preferred Layer and Channel Dimensions:

Microfabricated refers to the size of features of an elastomeric structure fabricated in accordance with an embodiment of the present invention. In general,
25 variation in at least one dimension of microfabricated structures is controlled to the micron level, with at least one dimension being microscopic (i.e. below 1000 μm). Microfabrication typically involves semiconductor or MEMS fabrication techniques such as photolithography and spincoating that are designed for to produce feature dimensions on the microscopic level, with at least some of the dimension of the microfabricated
30 structure requiring a microscope to reasonably resolve/image the structure.

In preferred aspects, flow channels 30, 32, 60 and 62 preferably have width-to-depth ratios of about 10:1. A non-exclusive list of other ranges of width-to-depth ratios in accordance with embodiments of the present invention is 0.1:1 to 100:1,

more preferably 1:1 to 50:1, more preferably 2:1 to 20:1, and most preferably 3:1 to 15:1. In an exemplary aspect, flow channels 30, 32, 60 and 62 have widths of about 1 to 1000 microns. A non-exclusive list of other ranges of widths of flow channels in accordance with embodiments of the present invention is 0.01 to 1000 microns, more preferably 0.05 to 1000 microns, more preferably 0.2 to 500 microns, more preferably 1 to 250 microns, and most preferably 10 to 200 microns. Exemplary channel widths include 0.1 μm , 1 μm , 2 μm , 5 μm , 10 μm , 20 μm , 30 μm , 40 μm , 50 μm , 60 μm , 70 μm , 80 μm , 90 μm , 100 μm , 110 μm , 120 μm , 130 μm , 140 μm , 150 μm , 160 μm , 170 μm , 180 μm , 190 μm , 200 μm , 210 μm , 220 μm , 230 μm , 240 μm , and 250 μm .

Flow channels 30, 32, 60, and 62 have depths of about 1 to 100 microns. A non-exclusive list of other ranges of depths of flow channels in accordance with embodiments of the present invention is 0.01 to 1000 microns, more preferably 0.05 to 500 microns, more preferably 0.2 to 250 microns, and more preferably 1 to 100 microns, more preferably 2 to 20 microns, and most preferably 5 to 10 microns. Exemplary channel depths include including 0.01 μm , 0.02 μm , 0.05 μm , 0.1 μm , 0.2 μm , 0.5 μm , 1 μm , 2 μm , 3 μm , 4 μm , 5 μm , 7.5 μm , 10 μm , 12.5 μm , 15 μm , 17.5 μm , 20 μm , 22.5 μm , 25 μm , 30 μm , 40 μm , 50 μm , 75 μm , 100 μm , 150 μm , 200 μm , and 250 μm .

The flow channels are not limited to these specific dimension ranges and examples given above, and may vary in width in order to affect the magnitude of force required to deflect the membrane as discussed at length below in conjunction with Fig. 27. For example, extremely narrow flow channels having a width on the order of 0.01 μm may be useful in optical and other applications, as discussed in detail below. Elastomeric structures which include portions having channels of even greater width than described above are also contemplated by the present invention, and examples of applications of utilizing such wider flow channels include fluid reservoir and mixing channel structures.

Elastomeric layer 22 may be cast thick for mechanical stability. In an exemplary embodiment, layer 22 is 50 microns to several centimeters thick, and more preferably approximately 4 mm thick. A non-exclusive list of ranges of thickness of the elastomer layer in accordance with other embodiments of the present invention is between about 0.1 micron to 10 cm, 1 micron to 5 cm, 10 microns to 2 cm, 100 microns to 10 mm.

Accordingly, membrane 25 of Fig. 7B separating flow channels 30 and 32 has a typical thickness of between about 0.01 and 1000 microns, more preferably 0.05 to 500 microns, more preferably 0.2 to 250, more preferably 1 to 100 microns, more preferably 2 to 50 microns, and most preferably 5 to 40 microns. As such, the thickness of elastomeric layer 22 is about 100 times the thickness of elastomeric layer 20.

Exemplary membrane thicknesses include 0.01 μm , 0.02 μm , 0.03 μm , 0.05 μm , 0.1 μm , 0.2 μm , 0.3 μm , 0.5 μm , 1 μm , 2 μm , 3 μm , 5 μm , 7.5 μm , 10 μm , 12.5 μm , 15 μm , 17.5 μm , 20 μm , 22.5 μm , 25 μm , 30 μm , 40 μm , 50 μm , 75 μm , 100 μm , 150 μm , 200 μm , 250 μm , 300 μm , 400 μm , 500 μm , 750 μm , and 1000 μm

Similarly, first elastomeric layer 42 may have a preferred thickness about equal to that of elastomeric layer 20 or 22; second elastomeric layer 46 may have a preferred thickness about equal to that of elastomeric layer 20; and third elastomeric layer 50 may have a preferred thickness about equal to that of elastomeric layer 22.

Multilayer Soft Lithography Construction Techniques and Materials:

Soft Lithographic Bonding:

Preferably, elastomeric layers 20 and 22 (or elastomeric layers 42, 46 and 50) are bonded together chemically, using chemistry that is intrinsic to the polymers comprising the patterned elastomer layers. Most preferably, the bonding comprises two component "addition cure" bonding.

In a preferred aspect, the various layers of elastomer are bound together in a heterogenous bonding in which the layers have a different chemistry. Alternatively, a homogenous bonding may be used in which all layers would be of the same chemistry. Thirdly, the respective elastomer layers may optionally be glued together by an adhesive instead. In a fourth aspect, the elastomeric layers may be thermoset elastomers bonded together by heating.

In one aspect of homogeneous bonding, the elastomeric layers are composed of the same elastomer material, with the same chemical entity in one layer reacting with the same chemical entity in the other layer to bond the layers together. In one embodiment, bonding between polymer chains of like elastomer layers may result from activation of a crosslinking agent due to light, heat, or chemical reaction with a separate chemical species.

Alternatively in a heterogeneous aspect, the elastomeric layers are composed of different elastomeric materials, with a first chemical entity in one layer reacting with a second chemical entity in another layer. In one exemplary heterogenous aspect, the bonding process used to bind respective elastomeric layers together may
5 comprise bonding together two layers of RTV 615 silicone. RTV 615 silicone is a two-part addition-cure silicone rubber. Part A contains vinyl groups and catalyst; part B contains silicon hydride (Si-H) groups. The conventional ratio for RTV 615 is 10A:1B. For bonding, one layer may be made with 30A:1B (i.e. excess vinyl groups) and the other with 3A:1B (i.e. excess Si-H groups). Each layer is cured separately. When the two
10 layers are brought into contact and heated at elevated temperature, they bond irreversibly forming a monolithic elastomeric substrate.

In an exemplary aspect of the present invention, elastomeric structures are formed utilizing Sylgard 182, 184 or 186, or aliphatic urethane diacrylates such as (but not limited to) Ebecryl 270 or Irr 245 from UCB Chemical.

15 In one embodiment in accordance with the present invention, two-layer elastomeric structures were fabricated from pure acrylated Urethane Ebe 270. A thin bottom layer was spin coated at 8000 rpm for 15 seconds at 170°C. The top and bottom layers were initially cured under ultraviolet light for 10 minutes under nitrogen utilizing a Model ELC 500 device manufactured by Electrolite corporation. The assembled layers
20 were then cured for an additional 30 minutes. Reaction was catalyzed by a 0.5% vol/vol mixture of Irgacure 500 manufactured by Ciba-Geigy Chemicals. The resulting elastomeric material exhibited moderate elasticity and adhesion to glass.

In another embodiment in accordance with the present invention, two-layer elastomeric structures were fabricated from a combination of 25% Ebe 270 / 50% Irr245
25 / 25% isopropyl alcohol for a thin bottom layer, and pure acrylated Urethane Ebe 270 as a top layer. The thin bottom layer was initially cured for 5 min, and the top layer initially cured for 10 minutes, under ultraviolet light under nitrogen utilizing a Model ELC 500 device manufactured by Electrolite corporation. The assembled layers were then cured for an additional 30 minutes. Reaction was catalyzed by a 0.5% vol/vol mixture of Irgacure
30 500 manufactured by Ciba-Geigy Chemicals. The resulting elastomeric material exhibited moderate elasticity and adhered to glass.

Alternatively, other bonding methods may be used, including activating the elastomer surface, for example by plasma exposure, so that the elastomer layers/substrate will bond when placed in contact. For example, one possible approach to

bonding together elastomer layers composed of the same material is set forth by Duffy et al, "Rapid Prototyping of Microfluidic Systems in Poly (dimethylsiloxane)", Analytical Chemistry (1998), 70, 4974-4984, incorporated herein by reference. This paper discusses that exposing polydimethylsiloxane (PDMS) layers to oxygen plasma causes oxidation of the surface, with irreversible bonding occurring when the two oxidized layers are placed
5 into contact.

Yet another approach to bonding together successive layers of elastomer is to utilize the adhesive properties of uncured elastomer. Specifically, a thin layer of uncured elastomer such as RTV 615 is applied on top of a first cured elastomeric layer.
10 Next, a second cured elastomeric layer is placed on top of the uncured elastomeric layer. The thin middle layer of uncured elastomer is then cured to produce a monolithic elastomeric structure. Alternatively, uncured elastomer can be applied to the bottom of a first cured elastomer layer, with the first cured elastomer layer placed on top of a second cured elastomer layer. Curing the middle thin elastomer layer again results in formation
15 of a monolithic elastomeric structure.

Where encapsulation of sacrificial layers is employed to fabricate the elastomer structure as described above in Figs. 8-18, bonding of successive elastomeric layers may be accomplished by pouring uncured elastomer over a previously cured elastomeric layer and any sacrificial material patterned thereupon. Bonding between
20 elastomer layers occurs due to interpenetration and reaction of the polymer chains of an uncured elastomer layer with the polymer chains of a cured elastomer layer. Subsequent curing of the elastomeric layer will create a bond between the elastomeric layers and create a monolithic elastomeric structure.

Referring to the first method of Figs. 1 to 7B, first elastomeric layer 20
25 may be created by spin-coating an RTV mixture on microfabricated mold 12 at 2000 rpm's for 30 seconds yielding a thickness of approximately 40 microns. Second elastomeric layer 22 may be created by spin-coating an RTV mixture on microfabricated mold 11. Both layers 20 and 22 may be separately baked or cured at about 80°C for 1.5 hours. The second elastomeric layer 22 may be bonded onto first elastomeric layer 20 at
30 about 80°C for about 1.5 hours.

Micromachined molds 10 and 12 may be patterned photoresist on silicon wafers. In an exemplary aspect, a Shipley SJR 5740 photoresist was spun at 2000 rpm patterned with a high resolution transparency film as a mask and then developed yielding

an inverse channel of approximately 10 microns in height. When baked at approximately 200°C for about 30 minutes, the photoresist reflows and the inverse channels become rounded. In preferred aspects, the molds may be treated with trimethylchlorosilane (TMCS) vapor for about a minute before each use in order to prevent adhesion of silicone
5 rubber.

Using the various multilayer soft lithography construction techniques and materials set forth herein, the present inventors have experimentally succeeded in creating channel networks comprises of up to seven separate elastomeric layers thick, with each layer being about 40 μm thick. It is foreseeable that devices comprising more than seven
10 separate elastomeric layers bonded together could be developed.

Suitable Elastomeric Materials:

Allcock et al, Contemporary Polymer Chemistry, 2nd Ed. describes elastomers in general as polymers existing at a temperature between their glass transition
15 temperature and liquefaction temperature. Elastomeric materials exhibit elastic properties because the polymer chains readily undergo torsional motion to permit uncoiling of the backbone chains in response to a force, with the backbone chains recoiling to assume the prior shape in the absence of the force. In general, elastomers deform when force is applied, but then return to their original shape when the force is removed. The elasticity
20 exhibited by elastomeric materials may be characterized by a Young's modulus. Elastomeric materials having a Young's modulus of between about 1 Pa – 1 TPa, more preferably between about 10 Pa – 100 GPa, more preferably between about 20 Pa – 1 GPa, more preferably between about 50 Pa – 10 MPa, and more preferably between about 100 Pa – 1 MPa are useful in accordance with the present invention, although elastomeric
25 materials having a Young's modulus outside of these ranges could also be utilized depending upon the needs of a particular application.

The systems of the present invention may be fabricated from a wide variety of elastomers. In an exemplary aspect, elastomeric layers 20, 22, 42, 46 and 50 may preferably be fabricated from silicone rubber. However, other suitable elastomers
30 may also be used.

In an exemplary aspect of the present invention, the present systems are fabricated from an elastomeric polymer such as GE RTV 615 (formulation), a vinyl-silane crosslinked (type) silicone elastomer (family). However, the present systems are

not limited to this one formulation, type or even this family of polymer; rather, nearly any elastomeric polymer is suitable. An important requirement for the preferred method of fabrication of the present microvalves is the ability to bond multiple layers of elastomers together. In the case of multilayer soft lithography, layers of elastomer are cured
5 separately and then bonded together. This scheme requires that cured layers possess sufficient reactivity to bond together. Either the layers may be of the same type, and are capable of bonding to themselves, or they may be of two different types, and are capable of bonding to each other. Other possibilities include the use of an adhesive between layers and the use of thermoset elastomers.

10 Given the tremendous diversity of polymer chemistries, precursors, synthetic methods, reaction conditions, and potential additives, there are a huge number of possible elastomer systems that could be used to make monolithic elastomeric microvalves and pumps. Variations in the materials used will most likely be driven by the need for particular material properties, i.e. solvent resistance, stiffness, gas
15 permeability, or temperature stability.

 There are many, many types of elastomeric polymers. A brief description of the most common classes of elastomers is presented here, with the intent of showing that even with relatively "standard" polymers, many possibilities for bonding exist. Common elastomeric polymers include polyisoprene, polybutadiene, polychloroprene,
20 polyisobutylene, poly(styrene-butadiene-styrene), the polyurethanes, and silicones.

Polyisoprene, polybutadiene, polychloroprene:

 Polyisoprene, polybutadiene, and polychloroprene are all polymerized from diene monomers, and therefore have one double bond per monomer when polymerized.
25 This double bond allows the polymers to be converted to elastomers by vulcanization (essentially, sulfur is used to form crosslinks between the double bonds by heating). This would easily allow homogeneous multilayer soft lithography by incomplete vulcanization of the layers to be bonded; photoresist encapsulation would be possible by a similar mechanism.

30

Polyisobutylene:

 Pure polyisobutylene has no double bonds, but is crosslinked to use as an elastomer by including a small amount (~1%) of isoprene in the polymerization.

The isoprene monomers give pendant double bonds on the polyisobutylene backbone, which may then be vulcanized as above.

Poly(styrene-butadiene-styrene):

5 Poly(styrene-butadiene-styrene) is produced by living anionic polymerization (that is, there is no natural chain-terminating step in the reaction), so “live” polymer ends can exist in the cured polymer. This makes it a natural candidate for the present photoresist encapsulation system (where there will be plenty of unreacted monomer in the liquid layer poured on top of the cured layer).
10 Incomplete curing would allow homogeneous multilayer soft lithography (A to A bonding). The chemistry also facilitates making one layer with extra butadiene (“A”) and coupling agent and the other layer (“B”) with a butadiene deficit (for *heterogeneous* multilayer soft lithography). SBS is a “thermoset elastomer”, meaning that above a certain temperature it melts and becomes plastic (as opposed
15 to elastic); reducing the temperature yields the elastomer again. Thus, layers can be bonded together by heating.

Polyurethanes:

Polyurethanes are produced from di-isocyanates (A-A) and di-alcohols or di-
20 amines (B-B); since there are a large variety of di-isocyanates and di-alcohols/amines, the number of different types of polyurethanes is huge. The A vs. B nature of the polymers, however, would make them useful for heterogeneous multilayer soft lithography just as RTV 615 is: by using excess A-A in one layer and excess B-B in the other layer.

25

Silicones:

Silicone polymers probably have the greatest structural variety, and almost certainly have the greatest number of commercially available formulations. The vinyl-to-(Si-H) crosslinking of RTV 615 (which allows both heterogeneous
30 multilayer soft lithography and photoresist encapsulation) has already been discussed, but this is only one of several crosslinking methods used in silicone polymer chemistry.

Cross Linking Agents:

In addition to the use of the simple "pure" polymers discussed above, crosslinking agents may be added. Some agents (like the monomers bearing pendant double bonds for vulcanization) are suitable for allowing homogeneous (A to A) multilayer soft lithography or photoresist encapsulation; in such an approach the same agent is incorporated into both elastomer layers. Complementary agents (i.e. one monomer bearing a pendant double bond, and another bearing a pendant Si-H group) are suitable for heterogeneous (A to B) multilayer soft lithography. In this approach complementary agents are added to adjacent layers.

10

Other Materials:

In addition, polymers incorporating materials such as chlorosilanes or methyl-, ethyl-, and phenylsilanes, and polydimethylsiloxane (PDMS) such as Dow Chemical Corp. Sylgard 182, 184 or 186, or aliphatic urethane diacrylates such as (but not limited to) Ebecryl 270 or Irr 245 from UCB Chemical may also be used.

15

The following is a non-exclusive list of elastomeric materials which may be utilized in connection with the present invention: polyisoprene, polybutadiene, polychloroprene, polyisobutylene, poly(styrene-butadiene-styrene), the polyurethanes, and silicone polymers; or poly(bis(fluoroalkoxy)phosphazene) (PNF, Eypel-F), poly(carborane-siloxanes) (Dexsil), poly(acrylonitrile-butadiene) (nitrile rubber), poly(1-butene), poly(chlorotrifluoroethylene-vinylidene fluoride) copolymers (Kel-F), poly(ethyl vinyl ether), poly(vinylidene fluoride), poly(vinylidene fluoride – hexafluoropropylene) copolymer (Viton), elastomeric compositions of polyvinylchloride (PVC), polysulfone, polycarbonate, polymethylmethacrylate (PMMA), and polytetrafluoroethylene (Teflon).

20

Doping and Dilution:

Elastomers may also be "doped" with uncrosslinkable polymer chains of the same class. For instance RTV 615 may be diluted with GE SF96-50 Silicone Fluid. This serves to reduce the viscosity of the uncured elastomer and reduces the Young's modulus of the cured elastomer. Essentially, the crosslink-capable polymer chains are spread further apart by the addition of "inert" polymer chains, so this is called "dilution". RTV 615 cures at up to 90% dilution, with a dramatic reduction in Young's modulus.

25

Fig. 49 plots Young's modulus versus percentage dilution with GE SF96-50 diluent of GE RTV 615 elastomer having a ratio of 30:1 A:B. FIG. 49 shows that the

flexibility of the elastomer material, and hence the responsiveness of the valve membrane to an applied actuation force, can be controlled during fabrication of the device.

Other examples of doping of elastomer material may include the introduction of electrically conducting or magnetic species, as described in detail below in conjunction with alternative methods of actuating the membrane of the device. Should it be desired, doping with fine particles of material having an index of refraction different than the elastomeric material (i.e. silica, diamond, sapphire) is also contemplated as a system for altering the refractive index of the material. Strongly absorbing or opaque particles may be added to render the elastomer colored or opaque to incident radiation. This may conceivably be beneficial in an optically addressable system.

Finally, by doping the elastomer with specific chemical species, these doped chemical species may be presented at the elastomer surface, thus serving as anchors or starting points for further chemical derivitization.

15 Pre-Treatment and Surface Coating

Once the elastomeric material has been molded or etched into the appropriate shape, it may be necessary to pre-treat the material in order to facilitate operation in connection with a particular application.

For example, one possible application for an elastomeric device in accordance with the present invention is to sort biological entities such as cells or DNA. In such an application, the hydrophobic nature of the biological entity may cause it to adhere to the hydrophobic elastomer of the walls of the channel. Therefore, it may be useful to pre-treat the elastomeric structure order to impart a hydrophilic character to the channel walls. In an embodiment of the present invention utilizing the General Electric RTV 615 elastomer, this can be accomplished by boiling the shaped elastomer in acid (e.g. 0.01% HCl in water, pH 2.7, at 60°C for 40 min).

Other types of pre-treatment of elastomer material are also contemplated by the present application. For example, certain portions of elastomer may be pre-treated to create anchors for surface chemistry reactions (for example in the formation of peptide chains), or binding sites for antibodies, as would be advantageous in a given application. Other examples of pre-treatment of elastomer material may include the introduction of reflective material on the elastomer surface, as described in detail below in conjunction with the micro-mirror array application.

Methods of Operating the Present Invention:

Figs. 7B and 7H together show the closing of a first flow channel by pressurizing a second flow channel, with Fig. 7B (a front sectional view cutting through flow channel 32 in corresponding Fig. 7A), showing an open first flow channel 30; with
5 Fig. 7H showing first flow channel 30 closed by pressurization of the second flow channel 32.

Referring to Fig. 7B, first flow channel 30 and second flow channel 32 are shown. Membrane 25 separates the flow channels, forming the top of first flow channel 30 and the bottom of second flow channel 32. As can be seen, flow channel 30 is “open”.

10 As can be seen in Fig. 7H, pressurization of flow channel 32 (either by gas or liquid introduced therein) causes membrane 25 to deflect downward, thereby pinching off flow F passing through flow channel 30. Accordingly, by varying the pressure in channel 32, a linearly actuatable valving system is provided such that flow channel 30 can be opened or closed by moving membrane 25 as desired. (For illustration purposes only,
15 channel 30 in Fig. 7G is shown in a “mostly closed” position, rather than a “fully closed” position).

It is to be understood that exactly the same valve opening and closing methods can be achieved with flow channels 60 and 62.

Since such valves are actuated by moving the roof of the channels themselves (i.e.:
20 moving membrane 25) valves and pumps produced by this technique have a truly zero dead volume, and switching valves made by this technique have a dead volume approximately equal to the active volume of the valve, for example about $100 \times 100 \times 10 \mu\text{m} = 100\text{pL}$. Such dead volumes and areas consumed by the moving membrane are approximately two orders of magnitude smaller than known conventional microvalves.
25 Smaller and larger valves and switching valves are contemplated in the present invention, and a non-exclusive list of ranges of dead volume includes 1 aL to 1 uL, 100 aL to 100 nL, 1 fL to 10 nL, 100 fL to 1 nL, and 1 pL to 100 pL

The extremely small volumes capable of being delivered by pumps and valves in accordance with the present invention represent a substantial advantage.

30 Specifically, the smallest known volumes of fluid capable of being manually metered is around $0.1 \mu\text{l}$. The smallest known volumes capable of being metered by automated systems is about ten-times larger ($1 \mu\text{l}$). Utilizing pumps and valves in accordance with the present invention, volumes of liquid of 10 nl or smaller can routinely be metered and

dispensed. The accurate metering of extremely small volumes of fluid enabled by the present invention would be extremely valuable in a large number of biological applications, including diagnostic tests and assays.

Equation 1 represents a highly simplified mathematical model of deflection of a rectangular, linear, elastic, isotropic plate of uniform thickness by an applied pressure:

(1) $w = (BPb^4)/(Eh^3)$, where:

w = deflection of plate;
 B = shape coefficient (dependent upon length vs. width and support of edges of plate);
 P = applied pressure;
 b = plate width
 E = Young's modulus; and
 h = plate thickness.

Thus even in this extremely simplified expression, deflection of an elastomeric membrane in response to a pressure will be a function of: the length, width, and thickness of the membrane, the flexibility of the membrane (Young's modulus), and the applied actuation force. Because each of these parameters will vary widely depending upon the actual dimensions and physical composition of a particular elastomeric device in accordance with the present invention, a wide range of membrane thicknesses and elasticities, channel widths, and actuation forces are contemplated by the present invention.

It should be understood that the formula just presented is only an approximation, since in general the membrane does not have uniform thickness, the membrane thickness is not necessarily small compared to the length and width, and the deflection is not necessarily small compared to length, width, or thickness of the membrane. Nevertheless, the equation serves as a useful guide for adjusting variable parameters to achieve a desired response of deflection versus applied force.

Figs. 21a and 21b illustrate valve opening vs. applied pressure for a 100 μm wide first flow channel 30 and a 50 μm wide second flow channel 32. The membrane of this device was formed by a layer of General Electric Silicones RTV 615 having a thickness of approximately 30 μm and a Young's modulus of approximately 750 kPa. Figs. 21a and 21b show the extent of opening of the valve to be substantially linear over

most of the range of applied pressures. While the present invention does not require this linear actuation behavior, embodiments of the invention <insert here>.

Air pressure was applied to actuate the membrane of the device through a 10 cm long piece of plastic tubing having an outer diameter of 0.025" connected to a 25 mm piece of stainless steel hypodermic tubing with an outer diameter of 0.025" and an inner diameter of 0.013". This tubing was placed into contact with the control channel by insertion into the elastomeric block in a direction normal to the control channel. Air pressure was applied to the hypodermic tubing from an external LHDA miniature solenoid valve manufactured by Lee Co.

Connection of conventional microfluidic devices to an external fluid flow poses a number of problems avoided by the external configuration just described. One such problem is the fragility of their connections with the external environment. Specifically, conventional microfluidic devices are composed of hard, inflexible materials (such as silicon), to which pipes or tubing allowing connection to external elements must be joined. The rigidity of the conventional material creates significant physical stress at points of contact with small and delicate external tubing, rendering conventional microfluidic devices prone to fracture and leakage at these contact points.

By contrast, the elastomer of the present invention is flexible and can be easily penetrated for external connection by a tube composed a hard material. For example, in an elastomer structure fabricated utilizing the method shown in Figs. 1-7B, a hole extending from the exterior surface of the structure into the control channel can be made by penetrating the elastomer with metal hypodermic tubing after the upper elastomer piece has been removed from the mold (as shown in Fig. 3) and before this piece has been bonded to the lower elastomer piece (as shown in Fig. 4). Between these steps, the roof of the control channel is exposed to the user's view and is accessible to insertion and proper positioning of the hole. Following completion of fabrication of the device, the metal hypodermic tubing is inserted into the hole to complete the fluid connection.

Moreover, the elastomer of the present invention will flex in response to physical strain at the point of contact with an external connection, rendering the external physical connection more robust. This flexibility substantially reduces the chance of leakage or fracture of the present device.

Another disadvantage of conventional microfluidic devices is the difficulty in establishing an effective seal between the device and its external links. Because of the

extremely narrow diameter of the channels of these devices, even moderate rates of fluid flow can require extremely high pressures. Unwanted leakage at the junction between the device and external connections may result. However, the flexibility of the elastomer of the present device also aids in overcoming leakage relating to pressure. In particular, the flexible elastomeric material flexes to conform around inserted tubing in order to form a pressure resistant seal.

While control of the flow of material through the device has so far been described utilizing applied gas pressure, other fluids could be used. For example, air is compressible, and thus experiences some finite delay between the time of application of pressure by the external solenoid valve and the time that this pressure is experienced by the membrane. In an alternative embodiment of the present invention, pressure could be applied from an external source to a noncompressible fluid such as water or hydraulic oils, resulting in a near-instantaneous transfer of applied pressure to the membrane. However, if the displaced volume of the valve is large or the control channel is narrow, higher viscosity of a control fluid may contribute to delay in actuation. The optimal medium for transferring pressure will therefore depend upon the particular application and device configuration, and both gaseous and liquid media are contemplated by the invention.

While external applied pressure as described above has been applied by a pump/tank system through a pressure regulator and external miniature valve, other methods of applying external pressure are also contemplated in the present invention, including gas tanks, compressors, piston systems, and columns of liquid. Also contemplated is the use of naturally occurring pressure sources such as may be found inside living organisms, such as blood pressure, gastric pressure, the pressure present in the cerebro-spinal fluid, pressure present in the intra-ocular space, and the pressure exerted by muscles during normal flexure. Other methods of regulating external pressure are also contemplated, such as miniature valves, pumps, macroscopic peristaltic pumps, pinch valves, and other types of fluid regulating equipment such as is known in the art.

As can be seen, the response of valves in accordance with embodiments of the present invention have been experimentally shown to be almost perfectly linear over a large portion of its range of travel, with minimal hysteresis. Accordingly, the present valves are ideally suited for microfluidic metering and fluid control. The linearity of the valve response demonstrates that the individual valves are well modeled as Hooke's Law springs. Furthermore, high pressures in the flow channel (i.e.: back pressure) can be

countered simply by increasing the actuation pressure. Experimentally, the present inventors have achieved valve closure at back pressures of 70 kPa, but higher pressures are also contemplated. The following is a nonexclusive list of pressure ranges encompassed by the present invention: 10 Pa - 25 MPa; 100 Pa - 10 Mpa, 1 kPa - 1 MPa, 5 1 kPa - 300 kPa, 5 kPa-200 kPa, and 15 kPa - 100 kPa.

While valves and pumps do not require linear actuation to open and close, linear response does allow valves to more easily be used as metering devices. In one embodiment of the invention, the opening of the valve is used to control flow rate by being partially actuated to a known degree of closure. Linear valve actuation makes it 10 easier to determine the amount of actuation force required to close the valve to a desired degree of closure. Another benefit of linear actuation is that the force required for valve actuation may be easily determined from the pressure in the flow channel. If actuation is linear, increased pressure in the flow channel may be countered by adding the same pressure (force per unit area) to the actuated portion of the valve.

15 Linearity of a valve depends on the structure, composition, and method of actuation of the valve structure. Furthermore, whether linearity is a desirable characteristic in a valve depends on the application. Therefore, both linearly and non-linearly actuatable valves are contemplated in the present invention, and the pressure ranges over which a valve is linearly actuatable will vary with the specific embodiment.

20 Fig. 22 illustrates time response (i.e.: closure of valve as a function of time in response to a change in applied pressure) of a $100\mu\text{m}\times 100\mu\text{m}\times 10\mu\text{m}$ RTV microvalve with 10-cm-long air tubing connected from the chip to a pneumatic valve as described above.

Two periods of digital control signal, actual air pressure at the end of the 25 tubing and valve opening are shown in Fig. 22. The pressure applied on the control line is 100 kPa, which is substantially higher than the ~ 40 kPa required to close the valve. Thus, when closing, the valve is pushed closed with a pressure 60 kPa greater than required. When opening, however, the valve is driven back to its rest position only by its own spring force (≤ 40 kPa). Thus, τ_{close} is expected to be smaller than τ_{open} . There is 30 also a lag between the control signal and control pressure response, due to the limitations of the miniature valve used to control the pressure. Calling such lags t and the $1/e$ time constants τ , the values are: $t_{\text{open}} = 3.63$ ms, $\tau_{\text{open}} = 1.88$ ms, $t_{\text{close}} = 2.15$ ms, $\tau_{\text{close}} = 0.51$

ms. If 3τ each are allowed for opening and closing, the valve runs comfortably at 75 Hz when filled with aqueous solution.

If one used another actuation method which did not suffer from opening and closing lag, this valve would run at ~ 375 Hz. Note also that the spring constant can be adjusted by changing the membrane thickness; this allows optimization for either fast opening or fast closing. The spring constant could also be adjusted by changing the elasticity (Young's modulus) of the membrane, as is possible by introducing dopant into the membrane or by utilizing a different elastomeric material to serve as the membrane (described above in conjunction with Figs. 7C-7H.)

When experimentally measuring the valve properties as illustrated in Figs. 21 and 22, the valve opening was measured by fluorescence. In these experiments, the flow channel was filled with a solution of fluorescein isothiocyanate (FITC) in buffer (pH ≥ 8) and the fluorescence of a square area occupying the center $\sim 1/3$ rd of the channel is monitored on an epi-fluorescence microscope with a photomultiplier tube with a 10 kHz bandwidth. The pressure was monitored with a Wheatstone-bridge pressure sensor (SenSym SCC15GD2) pressurized simultaneously with the control line through nearly identical pneumatic connections.

Flow Channel Cross Sections:

The flow channels of the present invention may optionally be designed with different cross sectional sizes and shapes, offering different advantages, depending upon their desired application. For example, the cross sectional shape of the lower flow channel may have a curved upper surface, either along its entire length or in the region disposed under an upper cross channel). Such a curved upper surface facilitates valve sealing, as follows.

Referring to Fig. 19, a cross sectional view (similar to that of Fig. 7B) through flow channels 30 and 32 is shown. As can be seen, flow channel 30 is rectangular in cross sectional shape. In an alternate preferred aspect of the invention, as shown in Fig. 20, the cross-section of a flow channel 30 instead has an upper curved surface.

Referring first to Fig. 19, when flow channel 32 is pressurized, the membrane portion 25 of elastomeric block 24 separating flow channels 30 and 32 will move downwardly to the successive positions shown by the dotted lines 25A, 25B, 25C,

25D, and 25E. As can be seen, incomplete sealing may possibly result at the edges of flow channel 30 adjacent planar substrate 14.

In the alternate preferred embodiment of Fig. 20, flow channel 30a has a curved upper wall 25A. When flow channel 32 is pressurized, membrane portion 25 will
5 move downwardly to the successive positions shown by dotted lines 25A2, 25A3, 25A4 and 25A5, with edge portions of the membrane moving first into the flow channel, followed by top membrane portions. An advantage of having such a curved upper surface at membrane 25A is that a more complete seal will be provided when flow channel 32 is
10 pressurized. Specifically, the upper wall of the flow channel 30 will provide a continuous contacting edge against planar substrate 14, thereby avoiding the "island" of contact seen between wall 25 and the bottom of flow channel 30 in Fig. 19.

Another advantage of having a curved upper flow channel surface at membrane 25A is that the membrane can more readily conform to the shape and volume of the flow channel in response to actuation. Specifically, where a rectangular flow
15 channel is employed, the entire perimeter (2x flow channel height, plus the flow channel width) must be forced into the flow channel. However where an arched flow channel is used, a smaller perimeter of material (only the semi-circular arched portion) must be forced into the channel. In this manner, the membrane requires less change in perimeter for actuation and is therefore more responsive to an applied actuation force to block the
20 flow channel

In an alternate aspect, (not illustrated), the bottom of flow channel 30 is rounded such that its curved surface mates with the curved upper wall 25A as seen in Fig. 20 described above.

In summary, the actual conformational change experienced by the
25 membrane upon actuation will depend upon the configuration of the particular elastomeric structure. Specifically, the conformational change will depend upon the length, width, and thickness profile of the membrane, its attachment to the remainder of the structure, and the height, width, and shape of the flow and control channels and the material properties of the elastomer used. The conformational change may also depend
30 upon the method of actuation, as actuation of the membrane in response to an applied pressure will vary somewhat from actuation in response to a magnetic or electrostatic force.

Moreover, the desired conformational change in the membrane will also vary depending upon the particular application for the elastomeric structure. In the

simplest embodiments described above, the valve may either be open or closed, with metering to control the degree of closure of the valve. In other embodiments however, it may be desirable to alter the shape of the membrane and/or the flow channel in order to achieve more complex flow regulation. For instance, the flow channel could be provided with raised protrusions beneath the membrane portion, such that upon actuation the membrane shuts off only a percentage of the flow through the flow channel, with the percentage of flow blocked insensitive to the applied actuation force.

Many membrane thickness profiles and flow channel cross-sections are contemplated by the present invention, including rectangular, trapezoidal, circular, ellipsoidal, parabolic, hyperbolic, and polygonal, as well as sections of the above shapes. More complex cross-sectional shapes, such as the embodiment with protrusions discussed immediately above or an embodiment having concavities in the flow channel, are also contemplated by the present invention.

Alternate Valve Actuation Techniques:

In addition to pressure based actuation systems described above, optional electrostatic and magnetic actuation systems are also contemplated, as follows.

Electrostatic actuation can be accomplished by forming oppositely charged electrodes (which will tend to attract one another when a voltage differential is applied to them) directly into the monolithic elastomeric structure. For example, referring to Fig. 7B, an optional first electrode 70 (shown in phantom) can be positioned on (or in) membrane 25 and an optional second electrode 72 (also shown in phantom) can be positioned on (or in) planar substrate 14. When electrodes 70 and 72 are charged with opposite polarities, an attractive force between the two electrodes will cause membrane 25 to deflect downwardly, thereby closing the "valve" (i.e.: closing flow channel 30).

For the membrane electrode to be sufficiently conductive to support electrostatic actuation, but not so mechanically stiff so as to impede the valve's motion, a sufficiently flexible electrode must be provided in or over membrane 25. Such an electrode may be provided by a thin metallization layer, doping the polymer with conductive material, or making the surface layer out of a conductive material.

In an exemplary aspect, the electrode present at the deflecting membrane can be provided by a thin metallization layer which can be provided, for example, by sputtering a thin layer of metal such as 20 nm of gold. In addition to the formation of a metallized membrane by sputtering, other metallization approaches such as chemical

epitaxy, evaporation, electroplating, and electroless plating are also available. Physical transfer of a metal layer to the surface of the elastomer is also available, for example by evaporating a metal onto a flat substrate to which it adheres poorly, and then placing the elastomer onto the metal and peeling the metal off of the substrate.

5 A conductive electrode 70 may also be formed by depositing carbon black (i.e. Cabot Vulcan XC72R) on the elastomer surface, either by wiping on the dry powder or by exposing the elastomer to a suspension of carbon black in a solvent which causes swelling of the elastomer, (such as a chlorinated solvent in the case of PDMS).
Alternatively, the electrode 70 may be formed by constructing the entire layer 20 out of
10 elastomer doped with conductive material (i.e. carbon black or finely divided metal particles). Yet further alternatively, the electrode may be formed by electrostatic deposition, or by a chemical reaction that produces carbon. In experiments conducted by the present inventors, conductivity was shown to increase with carbon black
concentration from 5.6×10^{-16} to about $5 \times 10^{-3} (\Omega\text{-cm})^{-1}$. The lower electrode 72, which
15 is not required to move, may be either a compliant electrode as described above, or a conventional electrode such as evaporated gold, a metal plate, or a doped semiconductor electrode.

Alternatively, magnetic actuation of the flow channels can be achieved by fabricating the membrane separating the flow channels with a magnetically polarizable
20 material such as iron, or a permanently magnetized material such as polarized NdFeB. In experiments conducted by the present inventors, magnetic silicone was created by the addition of iron powder (about 1 μm particle size), up to 20% iron by weight.

Where the membrane is fabricated with a magnetically polarizable material, the membrane can be actuated by attraction in response to an applied magnetic
25 field. Where the membrane is fabricated with a material capable of maintaining permanent magnetization, the material can first be magnetized by exposure to a sufficiently high magnetic field, and then actuated either by attraction or repulsion in response to the polarity of an applied inhomogenous magnetic field.

The magnetic field causing actuation of the membrane can be generated in
30 a variety of ways. In one embodiment, the magnetic field is generated by an extremely small inductive coil formed in or proximate to the elastomer membrane. The actuation effect of such a magnetic coil would be localized, allowing actuation of individual pump and/or valve structures. Alternatively, the magnetic field could be generated by a larger,

more powerful source, in which case actuation would be global and would actuate multiple pump and/or valve structures at one time.

It is further possible to combine pressure actuation with electrostatic or magnetic actuation. Specifically, a bellows structure in fluid communication with a recess could be electrostatically or magnetically actuated to change the pressure in the recess and thereby actuate a membrane structure adjacent to the recess.

In addition to electrical or magnetic actuation as described above, optional electrolytic and electrokinetic actuation systems are also contemplated by the present invention. For example, actuation pressure on the membrane could arise from an electrolytic reaction in a recess overlying the membrane. In such an embodiment, electrodes present in the recess would apply a voltage across an electrolyte in the recess. This potential difference would cause electrochemical reaction at the electrodes and result in the generation of gas species, giving rise to a pressure differential in the recess.

Alternatively, actuation pressure on the membrane could arise from an electrokinetic fluid flow in the control channel. In such an embodiment, electrodes present at opposite ends of the control channel would apply a potential difference across an electrolyte present in the control channel. Migration of charged species in the electrolyte to the respective electrodes could give rise to a pressure differential.

Finally, it is also possible to actuate the device by causing a fluid flow in the control channel based upon the application of thermal energy, either by thermal expansion or by production of gas from liquid. Similarly, chemical reactions generating gaseous products may produce an increase in pressure sufficient for membrane actuation.

Networked Systems:

Figs. 23A and 23B show a views of a single on/off valve, identical to the systems set forth above, (for example in Fig. 7A). Figs. 24A and 24B shows a peristaltic pumping system comprised of a plurality of the single addressable on/off valves as seen in Fig. 23, but networked together. Fig. 25 is a graph showing experimentally achieved pumping rates vs. frequency for the peristaltic pumping system of Fig. 24. Figs. 26A and 26B show a schematic view of a plurality of flow channels which are controllable by a single control line. This system is also comprised of a plurality of the single addressable on/off valves of Fig. 23, multiplexed together, but in a different arrangement than that of Fig. 23. Fig. 27 is a schematic illustration of a multiplexing system adapted to permit

fluid flow through selected channels, comprised of a plurality of the single on/off valves of Fig. 23, joined or networked together.

Referring first to Figs. 23A and 23B, a schematic of flow channels 30 and 32 is shown. Flow channel 30 preferably has a fluid (or gas) flow F passing therethrough. Flow channel 32, (which crosses over flow channel 30, as was already explained herein), is pressurized such that membrane 25 separating the flow channels may be depressed into the path of flow channel 30, shutting off the passage of flow F therethrough, as has been explained. As such, "flow channel" 32 can also be referred to as a "control line" which actuates a single valve in flow channel 30. In Figs. 23 to 26, a plurality of such addressable valves are joined or networked together in various arrangements to produce pumps, capable of peristaltic pumping, and other fluidic logic applications.

Referring to Fig. 24A and 24B, a system for peristaltic pumping is provided, as follows. A flow channel 30 has a plurality of generally parallel flow channels (i.e.: control lines) 32A, 32B and 32C passing thereover. By pressurizing control line 32A, flow F through flow channel 30 is shut off under membrane 25A at the intersection of control line 32A and flow channel 30. Similarly, (but not shown), by pressurizing control line 32B, flow F through flow channel 30 is shut off under membrane 25B at the intersection of control line 32B and flow channel 30, etc.

Each of control lines 32A, 32B, and 32C is separately addressable. Therefore, peristalsis may be actuated by the pattern of actuating 32A and 32C together, followed by 32A, followed by 32A and 32B together, followed by 32B, followed by 32B and C together, etc. This corresponds to a successive "101, 100, 110, 010, 011, 001" pattern, where "0" indicates "valve open" and "1" indicates "valve closed." This peristaltic pattern is also known as a 120° pattern (referring to the phase angle of actuation between three valves). Other peristaltic patterns are equally possible, including 60° and 90° patterns.

In experiments performed by the inventors, a pumping rate of 2.35 nL/s was measured by measuring the distance traveled by a column of water in thin (0.5 mm i.d.) tubing; with 100x100x10 μm valves under an actuation pressure of 40 kPa. The pumping rate increased with actuation frequency until approximately 75 Hz, and then was nearly constant until above 200 Hz. The valves and pumps are also quite durable and the elastomer membrane, control channels, or bond have never been observed to fail. In experiments performed by the inventors, none of the valves in the peristaltic pump

described herein show any sign of wear or fatigue after more than 4 million actuations. In addition to their durability, they are also gentle. A solution of *E. Coli* pumped through a channel and tested for viability showed a 94% survival rate.

Fig. 25 is a graph showing experimentally achieved pumping rates vs. frequency for the peristaltic pumping system of Fig. 24.

Figs. 26A and 26B illustrates another way of assembling a plurality of the addressable valves of Fig. 21. Specifically, a plurality of parallel flow channels 30A, 30B, and 30C are provided. Flow channel (i.e.: control line) 32 passes thereover across flow channels 30A, 30B, and 30C. Pressurization of control line 32 simultaneously shuts off flows F1, F2 and F3 by depressing membranes 25A, 25B, and 25C located at the intersections of control line 32 and flow channels 30A, 30B, and 30C.

Fig. 27 is a schematic illustration of a multiplexing system adapted to selectively permit fluid to flow through selected channels, as follows. The downward deflection of membranes separating the respective flow channels from a control line passing thereabove (for example, membranes 25A, 25B, and 25C in Figs. 26A and 26B) depends strongly upon the membrane dimensions. Accordingly, by varying the widths of flow channel control line 32 in Figs. 26A and 26B, it is possible to have a control line pass over multiple flow channels, yet only actuate (i.e.: seal) desired flow channels. Fig. 27 illustrates a schematic of such a system, as follows.

A plurality of parallel flow channels 30A, 30B, 30C, 30D, 30E and 30F are positioned under a plurality of parallel control lines 32A, 32B, 32C, 32D, 32E and 32F. Control channels 32A, 32B, 32C, 32D, 32E and 32F are adapted to shut off fluid flows F1, F2, F3, F4, F5 and F6 passing through parallel flow channels 30A, 30B, 30C, 30D, 30E and 30F using any of the valving systems described above, with the following modification.

Each of control lines 32A, 32B, 32C, 32D, 32E and 32F have both wide and narrow portions. For example, control line 32A is wide in locations disposed over flow channels 30A, 30C and 30E. Similarly, control line 32B is wide in locations disposed over flow channels 30B, 30D and 30F, and control line 32C is wide in locations disposed over flow channels 30A, 30B, 30E and 30F.

At the locations where the respective control line is wide, its pressurization will cause the membrane (25) separating the flow channel and the control line to depress significantly into the flow channel, thereby blocking the flow passage therethrough. Conversely, in the locations where the respective control line is narrow, membrane (25)

will also be narrow. Accordingly, the same degree of pressurization will not result in membrane (25) becoming depressed into the flow channel (30). Therefore, fluid passage thereunder will not be blocked.

For example, when control line 32A is pressurized, it will block flows F1, F3 and F5 in flow channels 30A, 30C and 30E. Similarly, when control line 32C is pressurized, it will block flows F1, F2, F5 and F6 in flow channels 30A, 30B, 30E and 30F. As can be appreciated, more than one control line can be actuated at the same time. For example, control lines 32A and 32C can be pressurized simultaneously to block all fluid flow except F4 (with 32A blocking F1, F3 and F5; and 32C blocking F1, F2, F5 and F6).

By selectively pressurizing different control lines (32) both together and in various sequences, a great degree of fluid flow control can be achieved. Moreover, by extending the present system to more than six parallel flow channels (30) and more than four parallel control lines (32), and by varying the positioning of the wide and narrow regions of the control lines, very complex fluid flow control systems may be fabricated. A property of such systems is that it is possible to turn on any one flow channel out of n flow channels with only $2(\log_2 n)$ control lines.

The inventors have succeeded in fabricating microfluidic structures with densities of 30 devices /mm², but greater densities are achievable.

Selectively Addressable Reaction Chambers Along Flow Lines:

In a further embodiment of the invention, illustrated in Figs. 28A, 28B, 28C and 28D, a system for selectively directing fluid flow into one more of a plurality of reaction chambers disposed along a flow line is provided.

Fig. 28A shows a top view of a flow channel 30 having a plurality of reaction chambers 80A and 80B disposed therealong. Preferably flow channel 30 and reaction chambers 80A and 80B are formed together as recesses into the bottom surface of a first layer 100 of elastomer.

Fig. 28B shows a bottom plan view of another elastomeric layer 110 with two control lines 32A and 32B each being generally narrow, but having wide extending portions 33A and 33B formed as recesses therein.

As seen in the exploded view of Fig. 28C, and assembled view of Fig. 28D, elastomeric layer 110 is placed over elastomeric layer 100. Layers 100 and 110 are then bonded together, and the integrated system operates to selectively direct fluid flow F

(through flow channel 30) into either or both of reaction chambers 80A and 80B, as follows. Pressurization of control line 32A will cause the membrane 25 (i.e.: the thin portion of elastomer layer 100 located below extending portion 33A and over regions 82A of reaction chamber 80A) to become depressed, thereby shutting off fluid flow passage in regions 82A, effectively sealing reaction chamber 80 from flow channel 30. As can also be seen, extending portion 33A is wider than the remainder of control line 32A. As such, pressurization of control line 32A will not result in control line 32A sealing flow channel 30.

As can be appreciated, either or both of control lines 32A and 32B can be actuated at once. When both control lines 32A and 32B are pressurized together, sample flow in flow channel 30 will enter neither of reaction chambers 80A or 80B.

The concept of selectably controlling fluid introduction into various addressable reaction chambers disposed along a flow line (Figs. 28) can be combined with concept of selectably controlling fluid flow through one or more of a plurality of parallel flow lines (Fig. 27) to yield a system in which a fluid sample or samples can be sent to any particular reaction chamber in an array of reaction chambers. An example of such a system is provided in Fig. 29, in which parallel control channels 32A, 32B and 32C with extending portions 34 (all shown in phantom) selectively direct fluid flows F1 and F2 into any of the array of reaction wells 80A, 80B, 80C or 80D as explained above; while pressurization of control lines 32C and 32D selectively shuts off flows F2 and F1, respectively.

In yet another novel embodiment, fluid passage between parallel flow channels is possible. Referring to Fig. 30, either or both of control lines 32A or 32D can be depressurized such that fluid flow through lateral passageways 35 (between parallel flow channels 30A and 30B) is permitted. In this aspect of the invention, pressurization of control lines 32C and 32D would shut flow channel 30A between 35A and 35B, and would also shut lateral passageways 35B. As such, flow entering as flow F1 would sequentially travel through 30A, 35A and leave 30B as flow F4.

Switchable Flow Arrays

In yet another novel embodiment, fluid passage can be selectively directed to flow in either of two perpendicular directions. An example of such a "switchable flow array" system is provided in Figs. 31A to 31D. Fig. 31A shows a bottom view of a first layer of elastomer 90, (or any other suitable substrate), having a bottom surface with a

pattern of recesses forming a flow channel grid defined by an array of solid posts 92, each having flow channels passing therearound.

In preferred aspects, an additional layer of elastomer is bound to the top surface of layer 90 such that fluid flow can be selectively directed to move either in direction F1, or perpendicular direction F2. . Fig. 31 is a bottom view of the bottom surface of the second layer of elastomer 95 showing recesses formed in the shape of alternating “vertical” control lines 96 and “horizontal” control lines 94. “Vertical” control lines 96 have the same width therealong, whereas “horizontal” control lines 94 have alternating wide and narrow portions, as shown.

Elastomeric layer 95 is positioned over top of elastomeric layer 90 such that “vertical” control lines 96 are positioned over posts 92 as shown in Fig. 31C and “horizontal” control lines 94 are positioned with their wide portions between posts 92, as shown in Fig. 31D.

As can be seen in Fig. 31C, when “vertical” control lines 96 are pressurized, the membrane of the integrated structure formed by the elastomeric layer initially positioned between layers 90 and 95 in regions 98 will be deflected downwardly over the array of flow channels such that flow is only able to pass in flow direction F2 (i.e.: vertically), as shown.

As can be seen in Fig. 31D, when “horizontal” control lines 94 are pressurized, the membrane of the integrated structure formed by the elastomeric layer initially positioned between layers 90 and 95 in regions 99 will be deflected downwardly over the array of flow channels, (but only in the regions where they are widest), such that flow is only able to pass in flow direction F1 (i.e.: horizontally), as shown.

The design illustrated in Figs. 31 allows a switchable flow array to be constructed from only two elastomeric layers, with no vertical vias passing between control lines in different elastomeric layers required. If all vertical flow control lines 94 are connected, they may be pressurized from one input. The same is true for all horizontal flow control lines 96.

Biopolymer Synthesis

The present elastomeric valving structures can also be used in biopolymer synthesis, for example, in synthesizing oligonucleotides, proteins, peptides, DNA, etc. In a preferred aspect, such biopolymer synthesis systems may comprise an integrated system comprising an array of reservoirs, fluidic logic (according to the present invention) for

selecting flow from a particular reservoir, an array of channels or reservoirs in which synthesis is performed, and fluidic logic (also according to the present invention) for determining into which channels the selected reagent flows. An example of such a system 200 is illustrated in Fig. 32, as follows.

5 Four reservoirs 150A, 150B, 150C and 150D have bases A, C, T and G respectively disposed therein, as shown. Four flow channels 30A, 30B, 30C and 30D are connected to reservoirs 150A, 150B, 150C and 150D. Four control lines 32A, 32B, 32C and 32D (shown in phantom) are disposed thereacross with control line 32A permitting flow only through flow channel 30A (i.e.: sealing flow channels 30B, 30C and 30D),
10 when control line 32A is pressurized. Similarly, control line 32B permits flow only through flow channel 30B when pressurized. As such, the selective pressurization of control lines 32A, 32B, 32C and 32D sequentially selects a desired base A, C, T and G from a desired reservoir 150A, 150B, 150C or 150D. The fluid then passes through flow channel 120 into a multiplexed channel flow controller 125, (including, for example, any
15 system as shown in Figs. 26A to 31D) which in turn directs fluid flow into one or more of a plurality of synthesis channels or chambers 122A, 122B, 122C, 122D or 122E in which solid phase synthesis may be carried out.

Fig. 33 shows a further extension of this system on which a plurality of reservoirs R1 to R13 (which may contain bases A, T, C and G, or any other reactants,
20 such as would be used in combinatorial chemistry), are connected to systems 200 as set forth in Figs. 32. Systems 200 are connected to a multiplexed channel flow controller 125, (including, for example, any system as shown in Figs. 26A to 31D) which is in turn connected to a switchable flow array (for example as shown in Figs. 31). An advantage of this system is that both of multiplexed channel flow controllers 125 and fluid selection
25 systems 200 can be controlled by the same pressure inputs 170 and 172, provided a “close horizontal” and a “close vertical” control lines (160 and 162, in phantom) are also provided.

In further alternate aspects of the invention, a plurality of multiplexed channel flow controllers (such as 125) may be used, with each flow controller initially
30 positioned stacked above one another on a different elastomeric layer, with vertical vias or interconnects between the elastomer layers (which may be created by lithographically patterning an etch resistant layer on top of a elastomer layer, then etching the elastomer and finally removing the etch resist before adding the last layer of elastomer).

For example, a vertical via in an elastomer layer can be created by etching a hole down onto a raised line on a micromachined mold, and bonding the next layer such that a channel passes over that hole. In this aspect of the invention, multiple synthesis with a plurality of multiplexed channel flow controllers 125 is possible.

5 The bonding of successive layers of molded elastomer to form a multi-layer structure is shown in Fig. 34, which is an optical micrograph of a section of a test structure composed of seven layers of elastomer. The scale bar of Fig. 34 is 200 μm .

One method for fabricating an elastomer layer having the vertical via feature utilized in a multi-layer structure is shown in FIGS. 35A-35D. FIG. 35A shows
10 formation of elastomer layer 3500 over micromachined mold 3502 including raised line 3502a.

FIG. 35B shows formation of metal etch blocking layer 3504 over elastomer layer 3500, followed by the patterning of photoresist mask 3506 over etch blocking layer 3504 to cover masked regions 3508 and leave exposed unmasked regions
15 3510. FIG. 35C shows the exposure to solvent which removes etch blocking layer 3504 in unmasked regions 3510.

FIG. 35D shows removal of the patterned photoresist, followed by subsequent etching of underlying elastomer 3500 in unmasked regions 3510 to form vertical via 3512. Subsequent exposure to solvent removes remaining etch blocking layer
20 3504 in masked regions 3508 selective to the surrounding elastomer 3500 and mold 3502. This elastomer layer may then be incorporated into an elastomer structure by multilayer soft lithography.

This series of steps can be repeated as necessary to form a multi-layered structure having the desired number and orientation of vertical vias between channels of
25 successive elastomer layers.

The inventors of the present invention have succeeded in etching vias through GE RTV 615 layers using a solution of Tetrabutylammonium fluoride in organic solvent. Gold serves as the etch blocking material, with gold removed selective to GE RTV 615 utilizing a KI/I₂/H₂O mixture.

30 Alternatively, vertical vias between channels in successive elastomer layers could be formed utilizing a negative mask technique. In this approach, a negative mask of a metal foil is patterned, and subsequent formation of an etch blocking layer is inhibited where the metal foil is present. Once the etch blocking material is patterned, the

negative metal foil mask is removed, permitting selective etching of the elastomer as described above.

In yet another approach, vertical vias could be formed in an elastomer layer using ablation of elastomer material through application of radiation from an applied laser beam.

While the above approach is described in connection with the synthesis of biopolymers, the invention is not limited to this application. The present invention could also function in a wide variety of combinatorial chemical synthesis approaches.

Other Applications:

Advantageous applications of the present monolithic microfabricated elastomeric valves and pumps are numerous. Accordingly, the present invention is not limited to any particular application or use thereof. In preferred aspects, the following uses and applications for the present invention are contemplated.

1. Cell/DNA Sorting

The present microfluidic pumps and valves can also be used in flow cytometers for cell sorting and DNA sizing. Sorting of objects based upon size is extremely useful in many technical fields.

For example, many assays in biology require determination of the size of molecular-sized entities. Of particular importance is the measurement of length distribution of DNA molecules in a heterogeneous solution. This is commonly done using gel electrophoresis, in which the molecules are separated by their differing mobility in a gel matrix in an applied electric field, and their positions detected by absorption or emission of radiation. The lengths of the DNA molecules are then inferred from their mobility.

While powerful, electrophoretic methods pose disadvantages. For medium to large DNA molecules, resolution, i.e. the minimum length difference at which different molecular lengths may be distinguished, is limited to approximately 10% of the total length. For extremely large DNA molecules, the conventional sorting procedure is not workable. Moreover, gel electrophoresis is a relatively lengthy procedure, and may require on the order of hours or days to perform.

The sorting of cellular-sized entities is also an important task. Conventional flow cell sorters are designed to have a flow chamber with a nozzle and are

based on the principle of hydrodynamic focusing with sheath flow. Most conventional cell sorters combine the technology of piezo-electric drop generation and electrostatic deflection to achieve droplet generation and high sorting rates. However, this approach offers some important disadvantages. One disadvantage is that the complexity, size, and expense of the sorting device requires that it be reusable in order to be cost-effective. Reuse can in turn lead to problems with residual materials causing contamination of samples and turbulent fluid flow.

Therefore, there is a need in the art for a simple, inexpensive, and easily fabricated sorting device which relies upon the mechanical control of fluid flow rather than upon electrical interactions between the particle and the solute.

FIG. 36 shows one embodiment of a sorting device in accordance with the present invention. Sorting device 3600 is formed from a switching valve structure created from channels present in an elastomeric block. Specifically, flow channel 3602 is T-shaped, with stem 3602a of flow channel 3602 in fluid communication with sample reservoir 3604 containing sortable entities 3606 of different types denoted by shape (square, circle, triangle, etc.). Left branch 3602b of flow channel 3602 is in fluid communication with waste reservoir 3608. Right branch 3602c of flow channel 3602 is in communication with collection reservoir 3610.

Control channels 3612a, 3612b, and 3612c overlie and are separated from stem 3602a of flow channel 3602 by elastomeric membrane portions 3614a, 3614b, and 3614c respectively. Together, stem 3602a of flow channel 3602 and control channels 3612a, 3612b, and 3612c form first peristaltic pump structure 3616 similar to that described at length above in connection with FIG. 24a.

Control channel 3612d overlies and is separated from right branch 3602c of flow channel 3602 by elastomeric membrane portion 3614d. Together, right branch 3602c of flow channel 3602 and control channels 3612d forms first valve structure 3618a. Control channel 3612e overlies and is separated from left branch 3602c of flow channel 3602 by elastomeric membrane portion 3614e. Together, left branch 3602c of flow channel 3602 and control channel 3612e forms second valve structure 3618b.

As shown in FIG. 36, stem 3602a of flow channel 3602 narrows considerably as it approaches detection window 3620 adjacent to the junction of stem 3602a, right branch 3602b, and left branch 3602c. Detection window 3620 is of sufficient width to allow for uniform illumination of this region. In one embodiment, the

width of the stem narrows from 100 μm to 5 μm at the detection window. The width of the stem at the detection window can be precisely formed using the soft lithography or photoresist encapsulation fabrication techniques described extensively above, and will be depend upon the nature and size of the entity to be sorted.

5 Operation of sorting device in accordance with one embodiment of the present invention is as follows.

 The sample is diluted to a level such that only a single sortable entity would be expected to be present in the detection window at any time. Peristaltic pump 3616 is activated by flowing a fluid through control channels 3612a-c as described
10 extensively above. In addition, second valve structure 3618b is closed by flowing fluid through control channel 3612e. As a result of the pumping action of peristaltic pump 3616 and the blocking action of second valve 3618b, fluid flows from sample reservoir 3604 through detection window 3620 into waste reservoir 3608. Because of the narrowing of stem 3604, sortable entities present in sample reservoir 3604 are carried by
15 this regular fluid flow, one at a time, through detection window 3620.

 Radiation 3640 from source 3642 is introduced into detection window 3620. This is possible due to the transmissive property of the elastomeric material. Absorption or emission of radiation 3640 by sortable entity 3606 is then detected by detector 3644.

20 If sortable entity 3606a within detection window 3620 is intended to be segregated and collected by sorting device 3600, first valve 3618a is activated and second valve 3618b is deactivated. This has the effect of drawing sortable entity 3606a into collection reservoir 3610, and at the same time transferring second sortable entity 3606b into detection window 3620. If second sortable entity 3602b is also identified for
25 collection, peristaltic pump 3616 continues to flow fluid through right branch 3602c of flow channel 3602 into collection reservoir 3610. However, if second entity 3606b is not to be collected, first valve 3618a opens and second valve 3618b closes, and first peristaltic pump 3616 resumes pumping liquid through left branch 3602b of flow channel 3602 into waste reservoir 3608.

30 While one specific embodiment of a sorting device and a method for operation thereof is described in connection with FIG. 36, the present invention is not limited to this embodiment. For example, fluid need not be flowed through the flow channels using the peristaltic pump structure, but could instead be flowed under pressure

with the elastomeric valves merely controlling the directionality of flow. In yet another embodiment, a plurality of sorting structures could be assembled in series in order to perform successive sorting operations, with the waste reservoir of FIG. 36 simply replaced by the stem of the next sorting structure.

5 Moreover, a high throughput method of sorting could be employed, wherein a continuous flow of fluid from the sample reservoir through the window and junction into the waste reservoir is maintained until an entity intended for collection is detected in the window. Upon detection of an entity to be collected, the direction of fluid flow by the pump structure is temporarily reversed in order to transport the desired
10 particle back through the junction into the collection reservoir. In this manner, the sorting device could utilize a higher flow rate, with the ability to backtrack when a desired entity is detected. Such an alternative high throughput sorting technique could be used when the entity to be collected is rare, and the need to backtrack infrequent.

 Sorting in accordance with the present invention would avoid the
15 disadvantages of sorting utilizing conventional electrokinetic flow, such as bubble formation, a strong dependence of flow magnitude and direction on the composition of the solution and surface chemistry effects, a differential mobility of different chemical species, and decreased viability of living organisms in the mobile medium.

20 **2. Semiconductor Processing**

 Systems for semiconductor gas flow control, (particularly for epitaxial applications in which small quantities of gases are accurately metered), are also contemplated by the present invention. For example, during fabrication of semiconductor devices solid material is deposited on top of a semiconductor substrate utilizing chemical
25 vapor deposition (CVD). This is accomplished by exposing the substrate to a mixture of gas precursor materials, such that these gases react and the resulting product crystallizes on top of the substrate.

 During such CVD processes, conditions must be carefully controlled to ensure uniform deposition of material free of defects that could degrade the operation of
30 the electrical device. One possible source of nonuniformity is variation in the flow rate of reactant gases to the region over the substrate. Poor control of the gas flow rate can also lead to variations in the layer thicknesses from run to run, which is another source of error. Unfortunately, there has been a significant problem in controlling the amount of

gas flowed into the processing chamber, and maintaining stable flow rates in conventional gas delivery systems.

Accordingly, FIG. 37A shows one embodiment of the present invention adapted to convey, at precisely-controllable flow rates, processing gas over the surface of a semiconductor wafer during a CVD process. Specifically, semiconductor wafer 3700 is positioned upon wafer support 3702 located within a CVD chamber. Elastomeric structure 3704 containing a large number of evenly distributed orifices 3706 is positioned just above the surface of wafer 3700.

A variety of process gases are flowed at carefully controlled rates from reservoirs 3708a and 3708b, through flow channels in elastomeric block 3704, and out of orifices 3706. As a result of the precisely controlled flow of process gases above wafer 3700, solid material 3710 having an extremely uniform structure is deposited.

Precise metering of reactant gas flow rates utilizing valve and/or pump structures of the present invention is possible for several reasons. First, gases can be flowed through valves that respond in a linear fashion to an applied actuation pressure, as is discussed above in connection with Figs. 21A and 21B. Alternatively or in addition to metering of gas flow using valves, the predictable behavior of pump structures in accordance with the present invention can be used to precisely meter process gas flow.

In addition to the chemical vapor deposition processes described above, the present technique is also useful to control gas flow in techniques such as molecular beam epitaxy and reactive ion etching.

3. Micro Mirror Arrays

While the embodiments of the present invention described thus far relate to operation of a structure composed entirely of elastomeric material, the present invention is not limited to this type of structure. Specifically, it is within the scope of the present invention to combine an elastomeric structure with a conventional, silicon-based semiconductor structure.

For example, further contemplated uses of the present microfabricated pumps and valves are in optical displays in which the membrane in an elastomeric structure reflects light either as a flat planar or as a curved surface depending upon whether the membrane is activated. As such, the membrane acts as a switchable pixel. An array of such switchable pixels, with appropriate control circuitry, could be employed as a digital or analog micro mirror array.

Accordingly, FIG. 38 shows an exploded view of a portion of one embodiment of a micro mirror array in accordance with the present invention.

Micro mirror array 3800 includes first elastomer layer 3802 overlying and separated from and underlying semiconductor structure 3804 by second elastomer layer 3806. Surface 3804a of semiconductor structure 3804 bears a plurality of electrodes 3810. Electrodes 3810 are individually addressable through conducting row and column lines, as would be known to one of ordinary skill in the art.

First elastomeric layer 3802 includes a plurality of intersecting channels 3822 underlying an electrically conducting, reflecting elastomeric membrane portion 3802a. First elastomeric layer 3802 is aligned over second elastomeric layer 3806 and underlying semiconductor device 3804 such that points of intersection of channels 3822 overlies electrodes 3810.

In one embodiment of a method of fabrication in accordance with the present invention, first elastomeric layer 3822 may be formed by spincoating elastomeric material onto a mold featuring intersecting channels, curing the elastomer, removing the shaped elastomer from the mold, and introducing electrically conducting dopant into surface region of the shaped elastomer. Alternatively as described in connection with Figs. 7C-7G above, first elastomeric layer 3822 may be formed from two layers of elastomer by inserting elastomeric material into a mold containing intersecting channels such that the elastomeric material is flush with the height of the channel walls, and then bonding a separate doped elastomer layer to the existing elastomeric material to form a membrane on the top surface.

Alternatively, the first elastomeric layer 3802 may be produced from electrically conductive elastomer, where the electrical conductivity is due either to doping or to the intrinsic properties of the elastomer material.

During operation of reflecting structure 3800, electrical signals are communicated along a selected row line and column line to electrode 3810a. Application of voltage to electrode 3810a generates an attractive force between electrode 3810a and overlying membrane 3802a. This attractive force actuates a portion of membrane 3802a, causing this membrane portion to flex downward into the cavity resulting from intersection of the channels 3822. As a result of distortion of membrane 3802a from planar to concave, light is reflected differently at this point in the surface of elastomer structure 3802 than from the surrounding planar membrane surface. A pixel image is thereby created.

The appearance of this pixel image is variable, and may be controlled by altering the magnitude of voltage applied to the electrode. A higher voltage applied to the electrode will increase the attractive force on the membrane portion, causing further distortion in its shape. A lower voltage applied to the electrode will decrease the attractive force on the membrane, reducing distortion in its shape from the planar. Either of these changes will affect the appearance of the resulting pixel image.

A variable micro mirror array structure as described could be used in a variety of applications, including the display of images. Another application for a variable micro mirror array structure in accordance with an embodiment of the present invention would be as a high capacity switch for a fiber optics communications system, with each pixel capable of affecting the reflection and transfer of a component of an incident light signal.

5. Refracting Structures

The micro-mirror array structure just described controls reflection of incident light. However, the present invention is not limited to controlling reflection. Yet another embodiment of the present invention enables the exercise of precise control over refraction of incident light in order to create lens and filter structures.

FIG. 39 shows one embodiment of a refractive structure in accordance with the present invention. Refractive structure 3900 includes first elastomeric layer 3902 and second elastomeric layer 3904 composed of elastomeric material capable of transmitting incident light 3906.

First elastomeric layer 3902 has convex portion 3902a which may be created by curing elastomeric material formed over a micromachined mold having a concave portion. Second elastomeric layer 3904 has a flow channel 3905 and may be created from a micromachined mold having a raised line as discussed extensively above.

First elastomer layer 3902 is bonded to second elastomer layer 3904 such that convex portion 3902a is positioned above flow channel 3905. This structure can serve a variety of purposes.

For example, light incident to elastomeric structure 3900 would be focused into the underlying flow channel, allowing the possible conduction of light through the flow channel. Alternatively, in one embodiment of an elastomeric device in accordance with the present invention, fluorescent or phosphorescent liquid could be flowed through

the flow channel, with the resulting light from the fluid refracted by the curved surface to form a display.

FIG. 40 shows another embodiment of a refractive structure in accordance with the present invention. Refractive structure 4000 is a multilayer optical train based upon a Fresnel lens design. Specifically, refractive structure 4000 is composed of four successive elastomer layers 4002, 4004, 4006, and 4008, bonded together. The upper surfaces of each of first, second, and third elastomer layers 4002, 4004, and 4006 bear uniform serrations 4010 regularly spaced by a distance X that is much larger than the wavelength of the incident light. Serrations 4010 serve to focus the incident light, and may be formed through use of a micromachined mold as described extensively above. First, second, and third elastomer layers 4002, 4004, and 4006 function as Fresnel lenses as would be understood of one of ordinary skill in the art.

Fourth elastomeric layer 4008 bears uniform serrations 4012 having a much smaller size than the serrations of the overlying elastomeric layers. Serrations 4012 are also spaced apart by a much smaller distance Y than the serrations of the overlying elastomeric layers, with Y on the order of the wavelength of incident light. such that elastomeric layer 4008 functions as a diffraction grating.

FIG. 41 illustrates an embodiment of a refractive structure in accordance with the present invention which utilizes difference in material refractive index to primarily accomplish diffraction. Refractive structure 4100 includes lower elastomeric portion 4102 covered by upper elastomeric portion 4104. Both lower elastomeric portion 4102 and upper elastomeric portion 4104 are composed of material transmitting incident light 4106. Lower elastomeric portion 4102 includes a plurality of serpentine flow channels 4108 separated by elastomeric lands 4110. Flow channels 4108 include fluid 4112 having a different refractive index than the elastomeric material making up lands 4110. Fluid 4112 is pumped through serpentine flow channels 4108 by the operation of pump structure 4114 made up of parallel control channels 4116a and 4116b overlying and separated from inlet portion 4108a of flow channel 4108 by moveable membrane 4118.

Light 4106 incident to refractive structure 4100 encounters a series of uniformly-spaced fluid-filled flow channels 4108 separated by elastomeric lands 4110. As a result of the differing optical properties of material present in these respective fluid/elastomer regions, portions of the incident light are not uniformly refracted and interact to form an interference pattern. A stack of refractive structures of the manner just described can accomplish even more complex and specialized refraction of incident light.

The refractive elastomeric structures just described can fulfill a variety of purposes. For example, the elastomeric structure could act as a filter or optical switch to block selected wavelengths of incident light. Moreover, the refractive properties of the structure could be readily adjusted depending upon the needs of a particular application.

5 For example, the composition (and hence refractive index) of fluid flowed through the flow channels could be changed to affect diffraction. Alternatively, or in conjunction with changing the identity of the fluid flowed, the distance separating adjacent flow channels can be precisely controlled during fabrication of the structure in order to generate an optical interference pattern having the desired characteristics.

10

6. Normally-Closed Valve Structure

FIGS. 7B and 7H above depict a valve structure in which the elastomeric membrane is moveable from a first relaxed position to a second actuated position in which the flow channel is blocked. However, the present invention is not limited to this particular valve configuration.

15

FIGS. 42A-42J show a variety of views of a normally-closed valve structure in which the elastomeric membrane is moveable from a first relaxed position blocking a flow channel, to a second actuated position in which the flow channel is open, utilizing a negative control pressure.

20

FIG. 42A shows a plan view, and FIG. 42B shows a cross sectional view along line 42B-42B', of normally-closed valve 4200 in an unactuated state. Flow channel 4202 and control channel 4204 are formed in elastomeric block 4206 overlying substrate 4205. Flow channel 4202 includes a first portion 4202a and a second portion 4202b separated by separating portion 4208. Control channel 4204 overlies separating portion 4208. As shown in FIG. 42B, in its relaxed, unactuated position, separating portion 4008 remains positioned between flow channel portions 4202a and 4202b, interrupting flow channel 4202.

25

FIG. 42C shows a cross-sectional view of valve 4200 wherein separating portion 4208 is in an actuated position. When the pressure within control channel 4204 is reduced to below the pressure in the flow channel (for example by vacuum pump), separating portion 4208 experiences an actuating force drawing it into control channel 4204. As a result of this actuation force membrane 4208 projects into control channel 4204, thereby removing the obstacle to a flow of material through flow channel 4202 and creating a passageway 4203. Upon elevation of pressure within control channel 4204,

30

separating portion 4208 will assume its natural position, relaxing back into and obstructing flow channel 4202.

The behavior of the membrane in response to an actuation force may be changed by varying the width of the overlying control channel. Accordingly, FIGS. 42D-42H show plan and cross-sectional views of an alternative embodiment of a normally-closed valve 4201 in which control channel 4207 is substantially wider than separating portion 4208. As shown in cross-sectional views Fig. 42E-F along line 42E-42E' of Fig. 42D, because a larger area of elastomeric material is required to be moved during actuation, the actuation force necessary to be applied is reduced.

FIGS. 42G and H show a cross-sectional views along line 40G-40G' of Fig. 40D. In comparison with the unactuated valve configuration shown in FIG. 42G, FIG. 42H shows that reduced pressure within wider control channel 4207 may under certain circumstances have the unwanted effect of pulling underlying elastomer 4206 away from substrate 4205, thereby creating undesirable void 4212.

Accordingly, Fig. 42I shows a plan view, and 42J a cross-sectional view along line 42J-42J' of Fig. 42I, of valve structure 4220 which avoids this problem by featuring control line 4204 with a minimum width except in segment 4204a overlapping separating portion 4208. As shown in Fig. 42J, even under actuated conditions the narrower cross-section of control channel 4204 reduces the attractive force on the underlying elastomer material 4206, thereby preventing this elastomer material from being drawn away from substrate 4205 and creating an undesirable void.

While a normally-closed valve structure actuated in response to pressure is shown in Figs. 42A-42J, a normally-closed valve in accordance with the present invention is not limited to this configuration. For example, the separating portion obstructing the flow channel could alternatively be manipulated by electric or magnetic fields, as described extensively above.

7. Separation of Materials

In a further application of the present invention, an elastomeric structure can be utilized to perform separation of materials. Fig. 43 shows one embodiment of such a device.

Separation device 4300 features an elastomeric block 4301 including fluid reservoir 4302 in communication with flow channel 4304. Fluid is pumped from fluid reservoir 4306 through flow channel 4308 by peristaltic pump structure 4310 formed by

control channels 4312 overlying flow channel 4304, as has been previously described at length. Alternatively, where a peristaltic pump structure in accordance with the present invention is unable to provide sufficient back pressure, fluid from a reservoir positioned outside the elastomeric structure may be pumped into the elastomeric device utilizing an external pump.

Flow channel 4304 leads to separation column 4314 in the form of a channel packed with separation matrix 4316 behind porous frit 4318. As is well known in the art of chromatography, the composition of the separation matrix 4316 depends upon the nature of the materials to be separated and the particular chromatography technique employed. The elastomeric separation structure is suitable for use with a variety of chromatographic techniques, including but not limited to gel exclusion, gel permeation, ion exchange, reverse phase, hydrophobic interaction, affinity chromatography, fast protein liquid chromatography (FPLC) and all formats of high pressure liquid chromatography (HPLC). The high pressures utilized for HPLC may require the use of urethane, dicyclopentadiene or other elastomer combinations.

Samples are introduced into the flow of fluid into separation column 4314 utilizing load channel 4319. Load channel 4319 receives fluid pumped from sample reservoir 4320 through pump 4321. Upon opening of valve 4322 and operation of pump 4321, sample is flowed from load channel 4319 into flow channel 4304. The sample is then flowed through separation column 4314 by the action of pump structure 4312. As a result of differential mobility of the various sample components in separation matrix 4316, these sample components become separated and are eluted from column 4314 at different times.

Upon elution from separation column 4314, the various sample components pass into detection region 4324. As is well known in the art of chromatography, the identity of materials eluted into detection region 4324 can be determined utilizing a variety of techniques, including but not limited to fluorescence, UV/visible/IR spectroscopy, radioactive labeling, amperometric detection, mass spectroscopy, and nuclear magnetic resonance (NMR).

A separation device in accordance with the present invention offers the advantage of extremely small size, such that only small volumes of fluid and sample are consumed during the separation. In addition, the device offers the advantage of increased sensitivity. In conventional separation devices, the size of the sample loop will prolong the injection of the sample onto the column, causing width of the eluted peaks to

potentially overlap with one another. The extremely small size and capacity of the load channel in general prevents this peak diffusion behavior from becoming a problem.

The separation structure shown in Fig. 43 represents only one embodiment of such a device, and other structures are contemplated by the present invention. For example, while the separation device of Fig. 43 features a flow channel, load loop, and separation column oriented in a single plane, this is not required by the present invention. One or more of the fluid reservoir, the sample reservoir, the flow channel, the load loop, and the separation column could be oriented perpendicular to one another and/or to the plane of the elastomeric material utilizing via structures whose formation is described at length above in connection with Fig. 35A-D.

8. Cell Pen/Cell Cage/Cell Grinder

In yet a further application of the present invention, an elastomeric structure can be utilized to manipulate organisms or other biological material. Figs. 44A-44D show plan views of one embodiment of a cell pen structure in accordance with the present invention.

Cell pen array 4400 features an array of orthogonally-oriented flow channels 4402, with an enlarged "pen" structure 4404 at the intersection of alternating flow channels. Valve 4406 is positioned at the entrance and exit of each pen structure 4404. Peristaltic pump structures 4408 are positioned on each horizontal flow channel and on the vertical flow channels lacking a cell pen structure.

Cell pen array 4400 of Fig. 44A has been loaded with cells A-H that have been previously sorted, perhaps by a sorting structure as described above in conjunction with Fig. 36. Figs. 44B-44C show the accessing and removal of individually stored cell C by 1) opening valves 4406 on either side of adjacent pens 4404a and 4404b, 2) pumping horizontal flow channel 4402a to displace cells C and G, and then 3) pumping vertical flow channel 4402b to remove cell C. Fig. 44D shows that second cell G is moved back into its prior position in cell pen array 4400 by reversing the direction of liquid flow through horizontal flow channel 4402a.

The cell pen array 4404 described above is capable of storing materials within a selected, addressable position for ready access. However, living organisms such as cells may require a continuous intake of foods and expulsion of wastes in order to remain viable. Accordingly, Figs. 45A and 45B show plan and cross-sectional views

(along line 45B-45B') respectively, of one embodiment of a cell cage structure in accordance with the present invention.

Cell cage 4500 is formed as an enlarged portion 4500a of a flow channel 4501 in an elastomeric block 4503 in contact with substrate 4505. Cell cage 4500 is similar to an individual cell pen as described above in Figs. 44A-44D, except that ends 4500b and 4500c of cell cage 4500 do not completely enclose interior region 4500a. Rather, ends 4500a and 4500b of cage 4500 are formed by a plurality of retractable pillars 4502. Pillars 4502 may be part of a membrane structure of a normally-closed valve structure as described extensively above in connection with Figs. 42A-42J.

Specifically, control channel 4504 overlies pillars 4502. When the pressure in control channel 4504 is reduced, elastomeric pillars 4502 are drawn upward into control channel 4504, thereby opening end 4500b of cell cage 4500 and permitting a cell to enter. Upon elevation of pressure in control channel 4504, pillars 4502 relax downward against substrate 4505 and prevent a cell from exiting cage 4500.

Elastomeric pillars 4502 are of a sufficient size and number to prevent movement of a cell out of cage 4500, but also include gaps 4508 which allow the flow of nutrients into cage interior 4500a in order to sustain cell(s) stored therein. Pillars 4502 on opposite end 4500c are similarly configured beneath second control channel 4506 to permit opening of the cage and removal of the cell as desired.

Under certain circumstances, it may be desirable to grind/disrupt cells or other biological materials in order to access component pieces.

Accordingly, Figs. 46A and 46B show plan and cross sectional views (along line 46B-46B') respectively, of one embodiment of cell grinder structure 4600 in accordance with the present invention. Cell grinder 4600 includes a system of interdigitated posts 4602 within flow channel 4604 which close together upon actuation of integral membrane 4606 by overlying control channel 4608. By closing together, posts 4602 crush material present between them.

Posts 4602 may be spaced at intervals appropriate to disrupt entities (cells) of a given size. For disruption of cellular material, spacing of posts 4602 at an interval of about 2 μm is appropriate. In alternative embodiments of a cell grinding structure in accordance with the present invention, posts 4602 may be located entirely on the above-lying membrane, or entirely on the floor of the control channel.

9. Pressure Oscillator

In yet a further application of the present invention, an elastomeric structure can be utilized to create a pressure oscillator structure analogous to oscillator circuits frequently employed in the field of electronics. Fig. 47 shows a plan view of one embodiment of such a pressure oscillator structure.

Pressure oscillator 4700 comprises an elastomeric block 4702 featuring flow channel 4704 formed therein. Flow channel 4704 includes an initial portion 4704a proximate to pressure source 4706, and a serpentine portion 4704b distal from pressure source 4706. Initial portion 4704a is in contact with via 4708 in fluid communication with control channel 4710 formed in elastomeric block 4702 above the level of flow channel 4704. At a location more distal from pressure source 4706 than via 4708, control channel 4710 overlies and is separated from flow channel 4704 by an elastomeric membrane, thereby forming valve 4712 as previously described.

Pressure oscillator structure 4700 operates as follows. Initially, pressure source 4706 provides pressure along flow channel 4704 and control channel 4710 through via 4708. Because of the serpentine shape of flow channel 4704b, pressure is lower in region 4704b as compared with flow channel 4710. At valve 4712, the pressure difference between serpentine flow channel portion 4704b and overlying control channel 4710 eventually causes the membrane of valve 4712 to project downward into serpentine flow channel portion 4704b, closing valve 4712. Owing to the continued operation of pressure source 4706 however, pressure begins to build up in serpentine flow channel portion 4704b behind closed valve 4712. Eventually the pressure equalizes between control channel 4710 and serpentine flow channel portion 4704b, and valve 4712 opens.

Given the continuous operation of the pressure source, the above-described build up and release of pressure will continue indefinitely, resulting in a regular oscillation of pressure. Such a pressure oscillation device may perform any number of possible functions, including but not limited to timing.

9. Side-Actuated Valve

While the above description has focused upon microfabricated elastomeric valve structures in which a control channel is positioned above and separated by an intervening elastomeric membrane from an underlying flow channel, the present invention is not limited to this configuration. Figs. 48A and 48B show plan views of one

embodiment of a side-actuated valve structure in accordance with one embodiment of the present invention.

Fig. 48A shows side-actuated valve structure 4800 in an unactuated position. Flow channel 4802 is formed in elastomeric layer 4804. Control channel 4806
5 abutting flow channel 4802 is also formed in elastomeric layer 4804. Control channel 4806 is separated from flow channel 4802 by elastomeric membrane portion 4808. A second elastomeric layer (not shown) is bonded over bottom elastomeric layer 4804 to enclose flow channel 4802 and control channel 4806.

Fig. 48B shows side-actuated valve structure 4800 in an actuated position.
10 In response to a build up of pressure within control channel 4806, membrane 4808 deforms into flow channel 4802, blocking flow channel 4802. Upon release of pressure within control channel 4806, membrane 4808 would relax back into control channel 4806 and open flow channel 4802.

While a side-actuated valve structure actuated in response to pressure is
15 shown in Figs. 48A and 48B, a side-actuated valve in accordance with the present invention is not limited to this configuration. For example, the elastomeric membrane portion located between the abutting flow and control channels could alternatively be manipulated by electric or magnetic fields, as described extensively above.

20 **10. Additional Applications**

The following represent further aspects of the present invention: present valves and pumps can be used for drug delivery (for example, in an implantable drug delivery device); and for sampling of biological fluids (for example, by storing samples sequentially in a column with plugs of spacer fluid therebetween, wherein the samples
25 can be shunted into different storage reservoirs, or passed directly to appropriate sensor(s). Such a fluid sampling device could also be implanted in the patient's body.

The present systems can also be used for devices which relieve over-pressure *in vivo* using a micro-valve or pump. For example, an implantable bio-compatible micro-valve can be used to relieve over-pressures in the eye which result from
30 glaucoma. Other contemplated uses of the present switchable micro-valves include implantation in the spermatic duct or fallopian tube allowing reversible long-term or short-term birth control without the use of drugs.

Further uses of the present invention include DNA sequencing whereby the DNA to be sequenced is provided with a polymerase and a primer, and is then

exposed to one type of DNA base (A, C, T, or G) at a time in order to rapidly assay for base incorporation. In such a system, the bases must be flowed into the system and excess bases washed away rapidly. Pressure driven flow, gated by elastomeric micro-valves in accordance with the present invention would be ideally suited to allow for such rapid flow
5 and washing of reagents.

Other contemplated uses of the present micro-valve and micro-pump systems include uses with DNA chips. For example, a sample can be flowed into a looped channel and pumped around the loop with a peristaltic action such that the sample can make many passes over the probes of the DNA array. Such a device would give the
10 sample that would normally be wasted sitting over the non-complimentary probes the chance to bind to a complimentary probe instead. An advantage of such a looped-flow system is that it would reduce the necessary sample volume, and thereby increase assay sensitivity.

Further applications exist in high throughput screening in which
15 applications could benefit by the dispensing of small volumes of liquid, or by bead-based assays wherein ultrasensitive detection would substantially improve assay sensitivity.

Another contemplated application is the deposition of array of various chemicals, especially oligonucleotides, which may or may not have been chemically fabricated in a previous action of the device before deposition in a pattern or array on a
20 substrate via contact printing through fluid channel outlets in the elastomeric device in close proximity to a desired substrate, or by a process analogous to ink-jet printing.

The present microfabricated elastomeric valves and pumps could also be used to construct systems for reagent dispensing, mixing and reaction for synthesis of oligonucleotides, peptides or other biopolymers.

25 Further applications for the present invention include ink jet printer heads, in which small apertures are used to generate a pressure pulse sufficient to expel a droplet. An appropriately actuated micro-valve in accordance with the present invention can create such a pressure pulse. The present micro-valves and pumps can also be used to digitally dispense ink or pigment, in amounts not necessarily as small as single droplets.
30 The droplet would be brought into contact with the medium being printed on rather than be required to be fired through the air.

Yet other uses of the present systems are in fluidic logic circuits which offer the advantages of being useable in radiation resistant applications. A further

advantage of such fluidic logic circuits is that, being non-electronic, such fluidic logic circuitry may not be probed by electro magnetic sensors, thus offering a security benefit.

Yet further uses of the present invention would take advantage of the ready removal and reattachment of the structure from an underlying substrate such as glass, utilizing a glass substrate patterned with a binding or other material. This allows separate construction of a patterned substrate and elastomer structure. For instance, a glass substrate could be patterned with a DNA microarray, and an elastomer valve and pump structure sealed over the array in a subsequent step.

11. Additional Aspects of the Invention

The following represent further aspects of the present invention: the use of a deflectable membrane to control flow of a fluid in a microfabricated channel of an elastomeric structure; the use of elastomeric layers to make a microfabricated elastomeric device containing a microfabricated movable portion; and the use of an elastomeric material to make a microfabricated valve or pump.

A microfabricated elastomeric structure in accordance with one embodiment of the present invention comprises an elastomeric block formed with microfabricated recesses therein, a portion of the elastomeric block deflectable when the portion is actuated. The recesses comprise a first microfabricated channel and a first microfabricated recess, and the portion comprises an elastomeric membrane deflectable into the first microfabricated channel when the membrane is actuated. The recesses have a width in the range of 10 μm to 200 μm and the portion has a thickness of between about 2 μm and 50 μm . The microfabricated elastomeric structure may be actuated at a speed of 100 Hz or greater and contains substantially no dead volume when the portion is actuated.

A method of actuating an elastomeric structure comprises providing an elastomeric block formed with first and second microfabricated recesses therein, the first and second microfabricated recesses separated by a membrane portion of the elastomeric block deflectable into one of the first and second recesses in response to an actuation force, and applying an actuation force to the membrane portion such that the membrane portion is deflected into one of the first and the second recesses.

A method of microfabricating an elastomeric structure in accordance with one embodiment of the present invention comprises forming a first elastomeric layer on a

substrate, curing the first elastomeric layer, and patterning a first sacrificial layer over the first elastomeric layer. A second elastomeric layer is formed over the first elastomeric layer, thereby encapsulating the first patterned sacrificial layer between the first and second elastomeric layers, the second elastomeric layer is cured, and the first patterned sacrificial layer is removed selective to the first elastomeric layer and the second elastomeric layer, thereby forming at least one first recess between the first and second layers of elastomer.

An alternative embodiment of a method of fabricating further comprises patterning a second sacrificial layer over the substrate prior to forming the first elastomeric layer, such that the second patterned sacrificial layer is removed during removal of the first patterned sacrificial layer to form at least one recess along a bottom of the first elastomeric layer.

A microfabricated elastomeric structure in accordance with one embodiment of the present invention comprises an elastomeric block, a first channel and a second channel separated by a separating portion of the elastomeric structure, and a microfabricated recess in the elastomeric block adjacent to the separating portion such that the separating portion may be actuated to deflect into the microfabricated recess. 66. Deflection of the separating portion opens a passageway between the first and second channels.

A method of controlling fluid or gas flow through an elastomeric structure comprises providing an elastomeric block, the elastomeric block having first, second, and third microfabricated recesses, and the elastomeric block having a first microfabricated channel passing therethrough, the first, second and third microfabricated recesses separated from the first channel by respective first, second and third membranes deflectable into the first channel, and deflecting the first, second and third membranes into the first channel in a repeating sequence to peristaltically pump a flow of fluid through the first channel.

A method of microfabricating an elastomeric structure, comprising microfabricating a first elastomeric layer, microfabricating a second elastomeric layer; positioning the second elastomeric layer on top of the first elastomeric layer; and bonding a bottom surface of the second elastomeric layer onto a top surface of the first elastomeric layer.

While the present invention has been described herein with reference to particular embodiments thereof, a latitude of modification, various changes and

substitutions are intended in the foregoing disclosure, and it will be appreciated that in some instances some features of the invention will be employed without a corresponding use of other features without departing from the scope of the invention as set forth.

Therefore, many modifications may be made to adapt a particular situation or material to
5 the teachings of the invention without departing from the essential scope and spirit of the present invention. It is intended that the invention not be limited to the particular embodiment disclosed as the best mode contemplated for carrying out this invention, but that the invention will include all embodiments and equivalents falling within the scope of the claims.

10 Incorporated herein as part of the present specification is the entire contents of Appendix A, "Monolithic Microfabricated Valves and Pumps by Multilayer Soft Lithography", Unger et al., Science, Vol. 288, pp. 113-116 (April 7, 2000), which appears herein before the claims and which is to be construed as part of the present specification for all purposes.

Monolithic Microfabricated Valves and Pumps by Multilayer Soft Lithography

Marc A. Unger, Hou-Pu Chou, Todd Thorsen, Axel Scherer, Stephen R. Quake*

Soft lithography is an alternative to silicon-based micromachining that uses replica molding of nontraditional elastomeric materials to fabricate stamps and microfluidic channels. We describe here an extension to the soft lithography paradigm, multilayer soft lithography, with which devices consisting of multiple layers may be fabricated from soft materials. We used this technique to build active microfluidic systems containing on-off valves, switching valves, and pumps entirely out of elastomer. The softness of these materials allows the device areas to be reduced by more than two orders of magnitude compared with silicon-based devices. The other advantages of soft lithography, such as rapid prototyping, ease of fabrication, and biocompatibility, are retained.

The application of micromachining techniques is growing rapidly, driven by the dramatic success of a few key applications such as microfabricated accelerometers (1, 2), pressure sensors (3), and ink-jet print heads (4). New applications are appearing in other fields, in particular fiber optic communications (5, 6), displays (7), and microfluidics (8–12). The two most widespread methods for the production of microelectromechanical structures (MEMS) are bulk micromachining and surface micromachining. Bulk micromachining is a subtractive fabrication method whereby single-crystal silicon is lithographically patterned and then etched to form three-dimensional (3D) structures. Surface micromachining, in contrast, is an additive method where layers of semiconductor-type materials (polysilicon, metals, silicon nitride, silicon dioxide, and so forth) are sequentially added and patterned to make 3D structures.

Bulk and surface micromachining methods are limited by the materials used. The semiconductor-type materials typically used in bulk and surface micromachining are stiff materials with Young's modulus ~ 100 GPa (13). Because the forces generated by micro-machined actuators are limited, the stiffness of the materials limits the minimum size of many devices. Furthermore, because multiple layers must be built up to make active devices, adhesion between layers is a problem of great practical concern. For bulk micromachining, wafer-bonding techniques must be used to create multilayer structures. For surface micromachining, thermal stress between layers limits the total device thickness to ~ 20 μm . Clean-room fabrication and careful con-

trol of process conditions are required to realize acceptable device yields.

An alternative microfabrication technique based on replication molding is gaining popularity. Typically, an elastomer is patterned by curing on a micromachined mold. Loosely termed soft lithography, this technique has been used to make blazed grating optics (14), stamps for chemical patterning (15), and microfluidic devices (16–20). Soft lithography's advantages include the capacity for rapid prototyping, easy fabrication without expensive capital equipment, and forgiving process parameters. For applications with moderate-sized features (≥ 20 μm) such as microfluidics, molds can be patterned by using a high-resolution transparency film as a contact mask for a thick photoresist layer (21). A single researcher can design, print, pattern the mold, and create a new set of cast-elastomer devices within 1 day, and subsequent elastomer casts can be made in just a few hours. The tolerant process parameters for elastomer casting allow devices to be produced in ambient laboratory conditions instead of a clean room. However, soft lithography also has limitations: It is fundamentally a subtractive method (in the sense that the mold defines where elastomer is removed), and with only one elastomer layer it is difficult to create active devices or moving parts. A method for bonding elastomer components by plasma oxidation has been described previously (21) and has been used to seal microfluidic channels against flat elastomer substrates (20, 22).

We describe here a technique called "multilayer soft lithography" that combines soft lithography with the capability to bond multiple patterned layers of elastomer. Multilayer structures are constructed by bonding layers of elastomer, each of which is separately cast from a micromachined mold (Fig. 1A). The elastomer is a two-component addition-cure

silicone rubber. The bottom layer has an excess of one of the components (A), whereas the upper layer has an excess of the other (B). After separate curing of the layers, the upper layer is removed from its mold and placed on top of the lower layer, where it forms a hermetic seal. Because each layer has an excess of one of the two components, reactive molecules remain at the interface between the layers. Further curing causes the two layers to irreversibly bond: The strength of the interface equals the strength of the bulk elastomer. This process creates a monolithic three-dimensionally patterned structure composed entirely of elastomer. Additional layers are added by simply repeating the process: Each time the device is sealed on a layer of opposite "polarity" (A versus B) and cured, another layer is added.

The ease of producing multilayers makes it possible to have multiple layers of fluidics, a difficult task with conventional micromachining. We created test structures of up to seven patterned layers in this fashion (23), each of ~ 40 μm thickness (Fig. 2F). Because the devices are monolithic (i.e., all of the layers are composed of the same material), interlayer adhesion failures and thermal stress problems are completely avoided. Particulates disturb interlayer adhesion very little, if at all. Perhaps most importantly for the actuation of microstructures, the elastomer is a soft material with Young's modulus (24) ~ 750 kPa, allowing large deflections with small actuation forces. One can also control the physical properties of the material. We created magnetic layers of elastomer by adding fine iron powder and electrically conducting layers by doping with carbon black above the percolation threshold (25). There is thus the possibility of creating all-elastomer electro-magnetic devices (26).

To demonstrate the power of multilayer soft lithography, we fabricated active valves and pumps. Monolithic elastomeric valves and pumps, like other mechanical microfluidic devices, avoid several practical problems affecting flow systems based on electroosmotic flow (8, 9, 20, 27–29) or dielectrophoresis (30, 31), such as electrolytic bubble formation around the electrodes and a strong dependence of flow on the composition of the flow medium (32–34). Electrolytic bubble formation, although not a problem for laboratory devices, seriously restricts the use of electroosmotic flow in integrated microfluidic devices. Also, neither electroosmotic nor dielectrophoretic flow can easily be used to stop flow or balance pressure differences.

We fabricated our valves using a crossed-channel architecture (Fig. 1A). Typical channels are 100 μm wide and 10 μm high, making the active area of the valve 100 μm by 100 μm . The membrane of polymer between the channels is engineered to be rela-

Department of Applied Physics, California Institute of Technology, Pasadena, CA 91125, USA.

*To whom correspondence should be addressed. E-mail: quake@caltech.edu

REPORTS

tively thin (typically 30 μm). When pressure is applied to the upper channel ("control channel"), the membrane deflects downward. Sufficient pressure closes the lower channel ("flow channel"). For optical convenience, we typically seal our structures with glass as

the bottom layer; this bond with glass is reversible, so devices may be peeled up, washed, and reused. We also fabricated devices where the bottom layer is another layer of elastomer, which is useful when higher back pressures are used. The response time of

devices actuated in this fashion is on the order of 1 ms, and the applied pressures are on the order of 100 kPa, so a 100 μm by 100 μm area gives actuation forces on the order of 1 mN. Pneumatic actuation allows active devices to be densely packed; we built microfluidics with densities of 30 devices per square millimeter, and greater densities are achievable. This actuation speed, pressure, and device density are more than adequate for the vast majority of microfluidic applications.

The shape of the flow channel is important for proper actuation of the valve (Fig. 1B). Rectangular and even trapezoidal shaped channels will not close completely under pressure from above. Flow channels with a round cross section close completely; the round shape transfers force from above to the channel edges and causes the channel to close from edges to center. We found that 100 μm by 100 μm by 10 μm valves over trapezoidal channels would not close completely even at 200 kPa of applied pressure, whereas rounded channels sealed completely at only 40 kPa.

Making multiple, independently actuated valves in one device simply requires independent control of the pressure applied to each control line (35). Figure 2, A to E, shows simple configurations resulting in on-off valves (Fig. 2, A and B), a pump (Fig. 2C), a grid of valves (Fig. 2D), and a switching valve (Fig. 2E). Each control line can actuate multiple valves simultaneously. Because the width of the control lines can be varied and membrane deflection depends strongly on membrane dimensions, it is possible to have a control line pass over multiple flow channels and actuate only the desired ones. The active element is the roof of the channel itself, so simple on-off valves (and pumps) produced by this technique have truly zero dead volume; switching valves have a dead volume about equal to the active volume of one valve, that is, $100 \mu\text{m} \times 100 \mu\text{m} \times 10 \mu\text{m} = 100 \text{ pl}$. The dead volume required and the area consumed by the moving membrane are each about two orders of magnitude smaller than any microvalve demonstrated to date (11).

The valve opening can be precisely controlled by varying the pressure applied to the control line. As demonstrated in Fig. 3A, the response of the valve is almost perfectly linear over a large portion of its range of travel, with minimal hysteresis. Thus, these valves can be used for microfluidic metering and flow control. The linearity of the valve response demonstrates that the individual valves are well-modeled as Hooke's law springs. Furthermore, high pressures in the flow channel ("back pressure") can be countered simply by increasing the actuation pressure. Within the experimental range we were able to test (up to 70-kPa back pressure), valve closing was achieved by simply adding the

Fig. 1. (A) Process flow for multilayer soft lithography. The elastomer used here is General Electric Silicones RTV 615. Part "A" contains a polydimethylsiloxane bearing vinyl groups and a platinum catalyst; part "B" contains a cross-linker containing silicon hydride (Si-H) groups, which form a covalent bond with vinyl groups. RTV 615 is normally used at a ratio of 10 A:1 B. For bonding, one layer is made with 30 A:1 B (excess vinyl groups) and the other with 3 A:1 B (excess Si-H groups). The top layer is cast thick (~4 mm) for mechanical stability, whereas the other layers are cast thin. The thin layer was created by spin-coating the RTV mixture on a microfabricated mold at 2000 rpm for 30 s, yielding a thickness of ~40 μm . Each layer was separately baked at 80°C for 1.5 hours. The thick layer was then sealed on the thin layer, and the two were bonded at 80°C for 1.5 hours. Molds were patterned photoresist on silicon wafers. Shipley SJR 5740 photoresist was spun at 2000 rpm, patterned with a high-resolution transparency film as a mask, and developed to yield inverse channels of 10 μm in height. When baked at 200°C for 30 min, the photoresist reflows and the inverse channels become rounded. Molds were treated with trimethylchlorosilane vapor for 1 min before each use to prevent adhesion of silicone rubber. (B) Schematic of valve closing for square and rounded channels. The dotted lines indicate the contour of the top of the channel for rectangular (left) and rounded (right) channels as pressure is increased. Valve sealing can be inspected by observing the elastomer-substrate interface under an optical microscope: it appears as a distinct, visible edge. Incomplete sealing (as observed with rectangular channels) appears as an "island" of contact in the flow channel; complete sealing (as observed with rounded channels) gives a continuous contact edge joining the left and right edges of the flow channel.

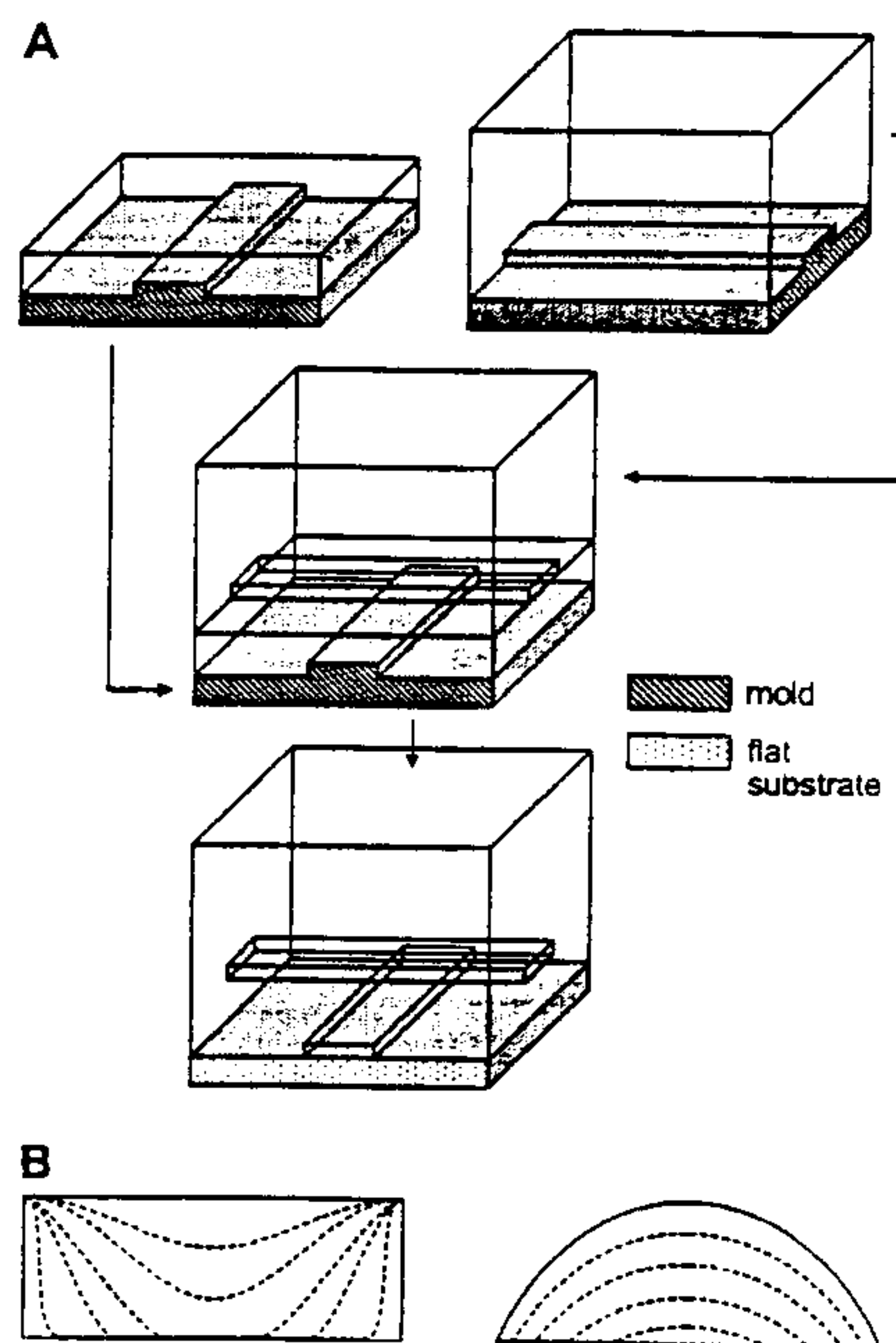
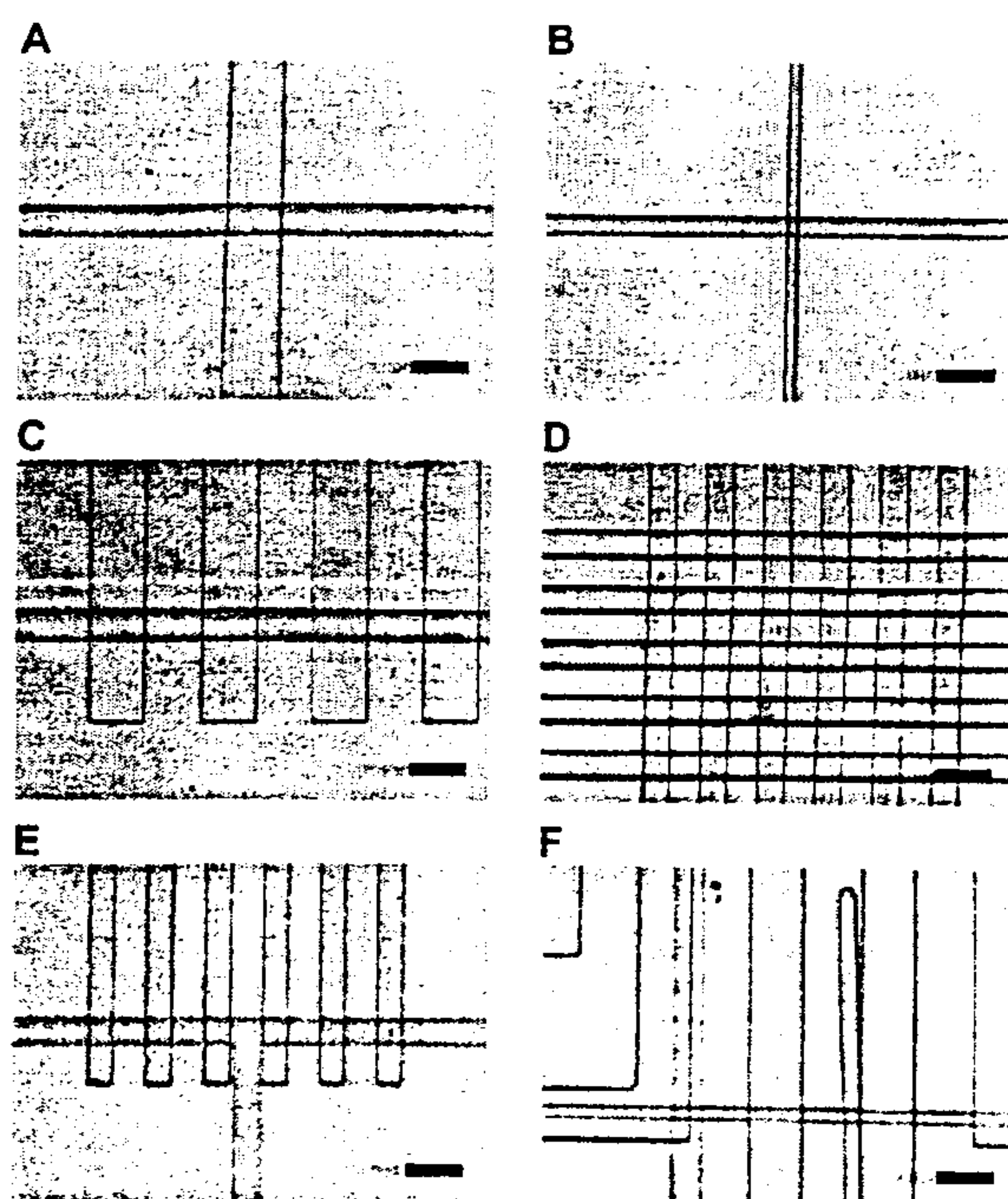


Fig. 2. Optical micrographs of different valve and pump configurations; control lines are oriented vertically. (A) Simple on-off valve with 200- μm control line and 100- μm flow line ("200x100"). (B) 30x50 on-off valve. (C) Peristaltic pump. Only three of the four control lines shown were used for actuation. (D) Grid of on-off valves. (E) Switching valve. Typically, only the innermost two control lines were used for actuation. (F) Section of the seven-layer test structure mentioned in the text. All scale bars are 200 μm .



REPORTS

back pressure to the minimum closing pressure at zero back pressure.

Monolithic elastomer valves fabricated as described here can be actuated with surprising speed. The time response for a valve filled with aqueous solution is on the order of 1 ms, as shown in Fig. 3B. The valve still opens and closes at 100 Hz, although it does not open completely. The valve responds nearly instantaneously to the applied pressure, but applied pressure lags substantially behind the control signal (36).

We also fabricated a peristaltic pump from three valves arranged on a single channel (Fig. 4A). Pumping rates were determined by measuring the distance traveled by a column of water in thin (0.5 mm interior diameter) tubing; with 100 μm by 100 μm by 10 μm valves, a maximum pumping rate of 2.35 nl/s was measured (Fig. 4B). Consistent with the previous observations of valve actuation speed, the maximum pumping rate is attained at ~ 75 Hz; above this rate, increasing numbers of pump cycles compete with incomplete

valve opening and closing. The pumping rate was nearly constant until above 200 Hz and fell off slowly until 300 Hz. The valves and pumps are also quite durable: We have never observed the elastomer membrane, control channels, or bond to fail. None of the valves in the peristaltic pump described above show any sign of wear or fatigue after more than 4 million actuations. In addition to their durability, they are also gentle. A solution of *Escherichia coli* pumped through a channel and tested for viability showed a 94% survival rate (37).

Monolithic active valves built as described here have several notable advantages over silicon-based microfluidic valves. Because of the low Young's modulus of silicone rubber, the valves' active area is no larger than the channels themselves; this permits exceptionally low dead volumes. Because of the softness of the membrane, complete valve sealing is easily attained, even in the presence of particulates. The valves close linearly with applied pressure, allowing metering and per-

mitting them to close in spite of high back pressure. Their small size makes them fast, and size and softness both contribute to making them durable. Small size, pneumatic actuation, and the ability to cross channels without actuating them allow a dense integration of microfluidic pumps, valves, mixing chambers, and switch valves in a single, easy-to-fabricate microfluidic chip. The greatest advantage, however, is ease of production. Compared with valves and pumps made with conventional silicon-based micromachining (11) [or even hybrid devices incorporating polymers (38-41)], monolithic elastomer valves are simpler and much easier to fabricate.

The use of nontraditional materials gives the multilayer soft lithography method a number of advantages over conventional micromachining, including rapid prototyping, ease of fabrication, and forgiving process parameters. It allows multilayer fabrication without the problems of interlayer adhesion and thermal stress buildup that are endemic to conventional micromachining. This process can be used to construct complex multilayer microfabricated structures such as optical trains and microfluidic valves and pumps. The silicone rubber used here is transparent to visible light, making optical interrogation of microfluidic devices simple. It is also biocompatible—materials in this family are used to fabricate contact lenses. The raw material is inexpensive, especially when compared

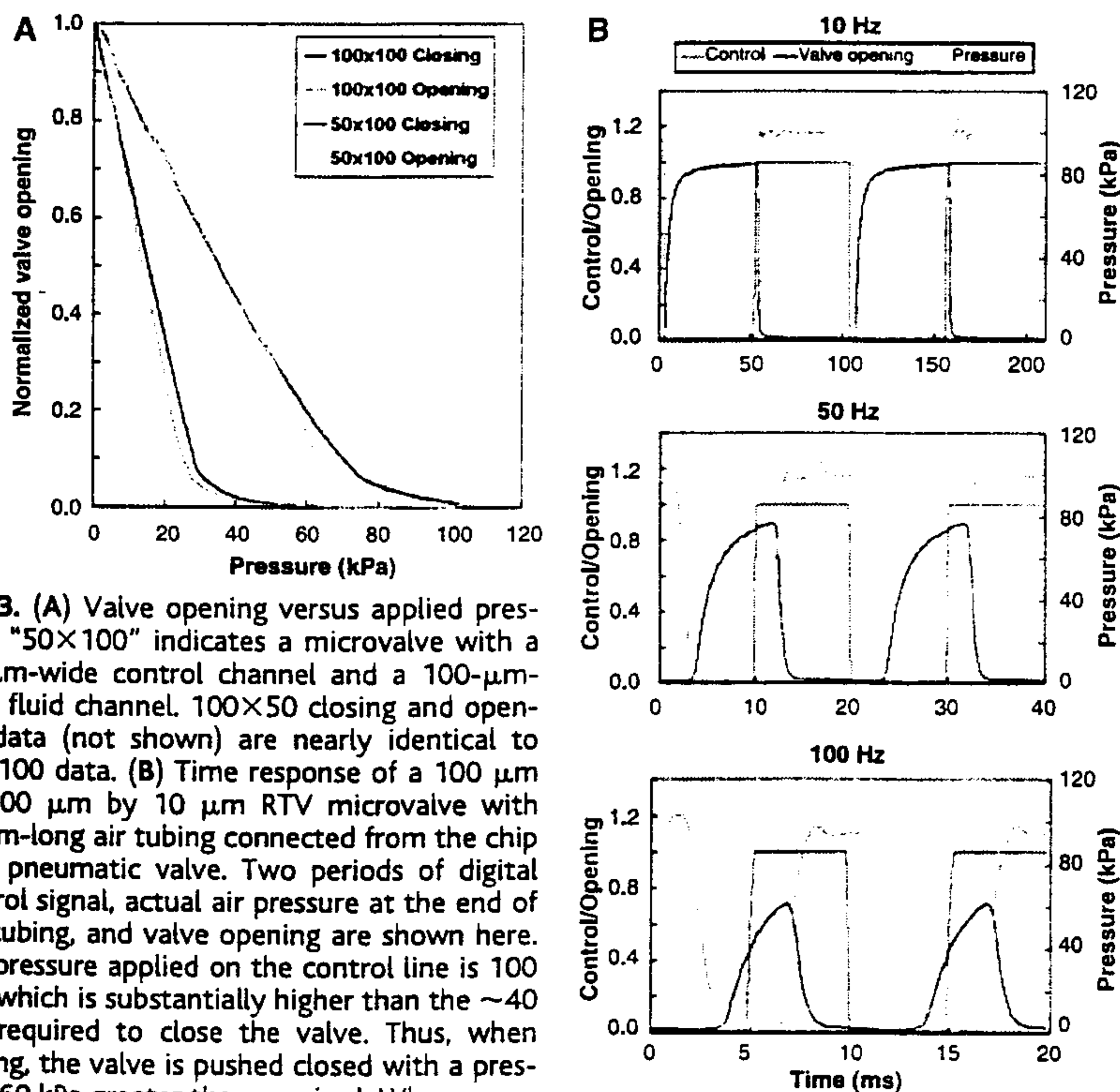


Fig. 3. (A) Valve opening versus applied pressure. "50 \times 100" indicates a microvalve with a 50- μm -wide control channel and a 100- μm -wide fluid channel. 100 \times 50 closing and opening data (not shown) are nearly identical to 50 \times 100 data. (B) Time response of a 100 μm by 100 μm by 10 μm RTV microvalve with 10-cm-long air tubing connected from the chip to a pneumatic valve. Two periods of digital control signal, actual air pressure at the end of the tubing, and valve opening are shown here. The pressure applied on the control line is 100 kPa, which is substantially higher than the ~ 40 kPa required to close the valve. Thus, when closing, the valve is pushed closed with a pressure 60 kPa greater than required. When opening, however, the valve is driven back to its rest position only by its own spring force (≤ 40 kPa). Thus, τ_{close} is expected to be smaller than τ_{open} . There is also a lag between the control signal and control pressure response, due to the limitations of the miniature valve used to control the pressure. Calling such lags t and the $1/e$ time constants τ , the values are $t_{\text{open}} = 3.63$ ms, $\tau_{\text{open}} = 1.88$ ms, $t_{\text{close}} = 2.15$ ms, and $\tau_{\text{close}} = 0.51$ ms. If 3τ each are allowed for opening and closing, the valve runs comfortably at 75 Hz when filled with aqueous solution (36). Valve opening was measured by fluorescence. The flow channel was filled with a solution of fluorescein isothiocyanate in buffer (pH ≥ 8), and the fluorescence of a square area occupying the center third of the channel was monitored on an epi-fluorescence microscope with a photomultiplier tube with a 10-kHz bandwidth. The pressure was monitored with a Wheatstone-bridge pressure sensor (SCC15GD2; Sensym, Milpitas, California) pressurized simultaneously with the control line through nearly identical pneumatic connections.

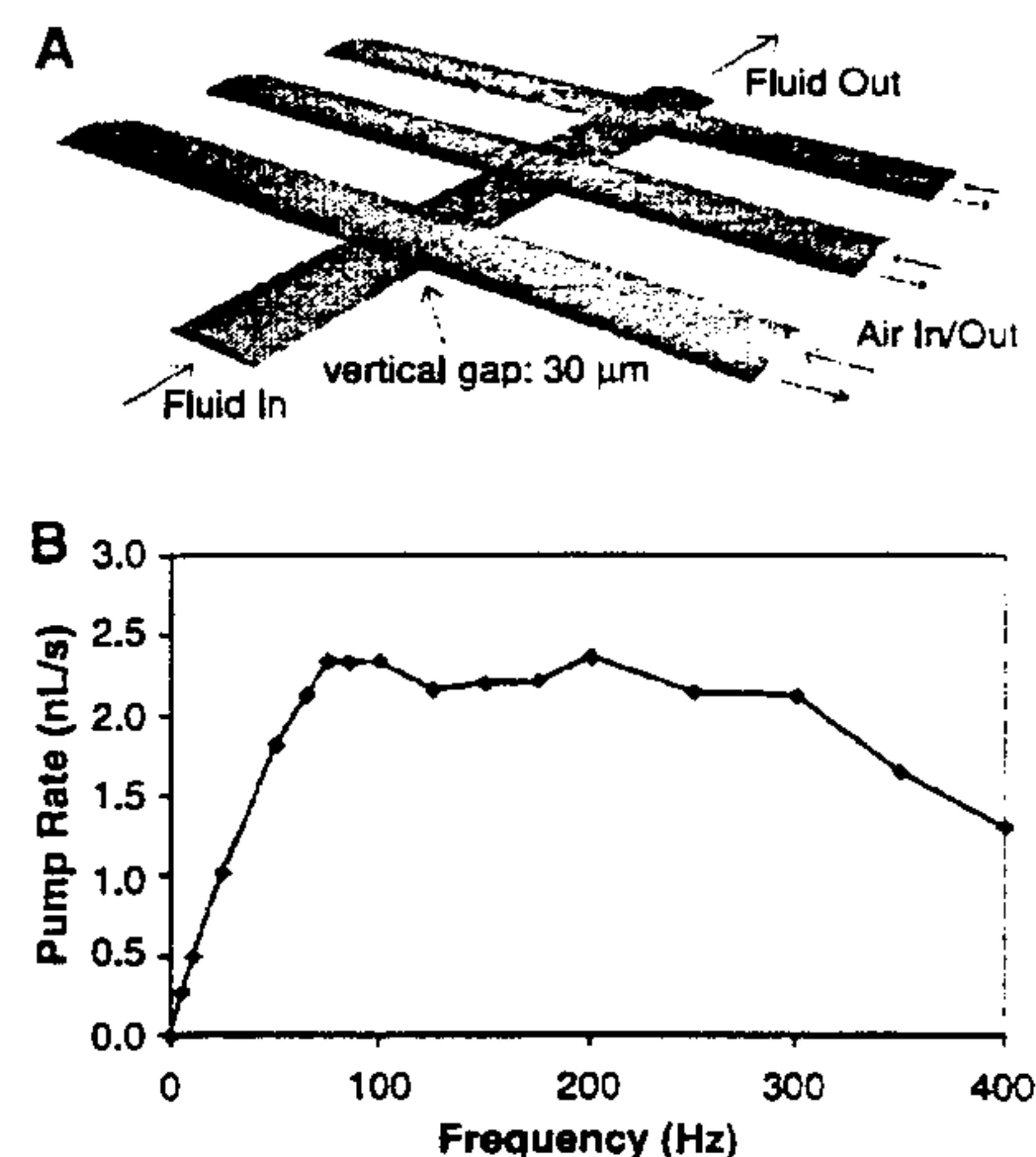


Fig. 4. (A) A 3D scale diagram of an elastomeric peristaltic pump. The channels are 100 μm wide and 10 μm high. Peristalsis was typically actuated by the pattern 101, 100, 110, 010, 011, 001, where 0 and 1 indicate "valve open" and "valve closed," respectively. This pattern is named the "120°" pattern, referring to the phase angle of actuation between the three valves. Other patterns are possible, including 90° and 60° patterns. The differences in pumping rate at a given frequency of pattern cycling were minimal. (B) Pumping rate of a peristaltic micropump versus various driving frequencies. Dimension of microvalves = 100 μm by 100 μm by 10 μm ; applied air pressure = 50 kPa.

REPORTS

with single-crystal silicon ($\sim \$0.05/\text{cm}^3$ compared with $\sim \$2.5/\text{cm}^3$). Most important, it has a low Young's modulus, which allows actuation even of small area devices. Pneumatically actuated valves and pumps will be useful for a wide variety of fluidic manipulation for lab-on-a-chip applications. In the future, it should be possible to design electrically or magnetically actuated valves and pumps that can be used as implantable devices for clinical applications.

Note added in proof: After submission of this manuscript, we learned of related work by J. Anderson *et al.* in the Whitesides group at Harvard University.

References and Notes

- L. M. Roylance and J. B. Angell, *IEEE Trans. Electron Devices* ED-26, 1911 (1979).
- N. Yazdi, F. Ayazi, K. Najafi, *Proc. IEEE* 86, 1640 (1998).
- O. N. Tufte, P. W. Chapman, D. Long, *J. Appl. Phys.* 33, 3322 (1962).
- L. Kuhn, E. Bassous, R. Lane, *IEEE Trans. Electron Devices* ED-25, 1257 (1978).
- L. Y. Lin, E. L. Goldstein, R. W. Tkach, *IEEE J. Selected Top. Quantum Electron.* 5, 4 (1999).
- R. S. Muller and K. Y. Lau, *Proc. IEEE* 86, 1705 (1998).
- L. J. Hornbeck and W. E. Nelson, *OSA Tech. Dig. Ser.* 8, 107 (1988).
- D. J. Harrison *et al.*, *Science* 261, 895 (1993).
- S. C. Jacobson, R. Hergenroder, L. B. Koutny, J. M. Ramsey, *Anal. Chem.* 66, 1114 (1994).
- M. U. Kopp, A. J. de Mello, A. Manz, *Science* 280, 1046 (1998).
- S. Shoji, *Top. Curr. Chem.* 194, 163 (1998).
- P. Gravesen, J. Branebjerg, O. S. Jensen, *J. Micromech. Microeng.* 3, 168 (1993).
- L. Buchaillet, E. Farnault, M. Hoummady, H. Fujita, *Jpn. J. Appl. Phys.* 2 36, L794 (1997).
- Y. N. Xia *et al.*, *Science* 273, 347 (1996).
- Y. N. Xia and G. M. Whitesides, *Angew. Chem. Int. Ed. Engl.* 37, 550 (1998).
- C. S. Effenhauser, G. J. M. Bruin, A. Paulus, M. Ehrat, *Anal. Chem.* 69, 3451 (1997).
- E. Delamar, A. Bernard, H. Schmid, B. Michel, H. Biebuyck, *Science* 276, 779 (1997).
- A. Y. Fu, C. Spence, A. Scherer, F. H. Arnold, S. R. Quake, *Nature Biotechnol.* 17, 1109 (1999).
- K. Hosokawa, T. Fujii, I. Endo, *Anal. Chem.* 71, 4781 (1999).
- D. C. Duffy, O. J. A. Schueller, S. T. Brittain, G. M. Whitesides, *J. Micromech. Microeng.* 9, 211 (1999).
- D. C. Duffy, J. C. McDonald, O. J. A. Schueller, G. M. Whitesides, *Anal. Chem.* 70, 4974 (1998).
- P. J. A. Kenis, R. F. Ismagilov, G. M. Whitesides, *Science* 285, 83 (1999).
- For multilayers, a thick layer was prepared as previously described; each thin layer was baked at 80°C for 20 min. The growing thick layer was assembled on each new thin layer and bonded by baking at 80°C for 20 min. Seven-layer devices have been produced by this method; no obvious limitations exist to limit the number of layers.
- J. C. Lötters, W. Olthuis, P. H. Veltink, P. Bergveld, *J. Micromech. Microeng.* 7, 145 (1997).
- Conductive silicone was created by the addition of a fine carbon black (Vulcan XC72; Cabot, Billerica, MA) at 10% or higher concentration by weight. Conductivity increased with carbon black concentration from 5.6×10^{-16} to $\sim 5 \times 10^{-3}$ ($\text{ohm}\cdot\text{cm}$)⁻¹. Magnetic silicone was created by the addition of iron powder ($\sim 1 \mu\text{m}$ particle size); up to 20% Fe by weight was added. For both conductive and magnetic silicones, multilayer bonding functioned normally.
- K. Ikuta, K. Hirowatari, T. Ogata, in *Proceedings IEEE International MEMS 94 Conference* (IEEE, Piscataway, NJ, 1994), pp. 1-6.
- R. B. M. Schasfoort, S. Schlaumann, J. Hendrikse, A. van den Berg, *Science* 286, 942 (1999).
- S. C. Jacobson, T. E. McKnight, J. M. Ramsey, *Anal. Chem.* 71, 4455 (1999).
- C. S. Effenhauser, G. J. M. Bruin, A. Paulus, *Electrophoresis* 18, 2203 (1997).
- M. Washizu, S. Suzuki, O. Kurosawa, T. Nishizaka, T. Shinohara, *IEEE Trans. Ind. Appl.* 30, 835 (1994).
- R. Pethig and G. H. Markx, *Trends Biotechnol.* 15, 426 (1997).
- R. Brechtel, W. Hoffmann, H. Rudiger, H. Watzig, *J. Chromatogr. A* 716, 97 (1995).
- C. A. Lucy and R. S. Underhill, *Anal. Chem.* 68, 300 (1996).
- The magnitude of flow (and even its direction) depends in a complicated fashion on ionic strength and type, the presence of surfactants, and the charge on the walls of the flow channel; furthermore, because electrolysis is taking place continuously, the capacity of buffer to resist pH changes is finite. Precise control of flow thus requires calibration for each new buffer or solute and can be difficult when the exact composition of a sample is not known in advance. Electroosmotic flow can also induce unwanted electrophoretic separation of molecules, creating demixing problems. Dielectrophoresis does not require electrolysis and therefore does not cause bubble formation but still suffers from sample and solvent sensitivity.
- Each control channel was connected to the common port of a miniature three-way switch valve (LHDA1211111H; Lee Valve, Westbrook, CT), powered by a fast Zener-diode circuit and controlled by a digital data acquisition card (AT-DIO-32HS; National Instruments, Austin, TX). Regulated external pressure was provided to the normally closed port, allowing the control channel to be pressurized or vented to atmosphere by switching the miniature valve.
- If one used another actuation method that did not suffer from opening and closing lag, this valve would run at ~ 375 Hz. The spring constant can be adjusted by changing the membrane thickness; this allows optimization for either fast opening or fast closing.
- E. coli* were pumped at 10 Hz through the channel. Samples of known volume were taken from the output well (pumped) and the input well (control), and serial dilutions of each were plated on Luria-Bertani agar plates and grown overnight at 37°C. Viability was assessed by counting colonies in the control and pumped samples and correcting for sample volumes and dilution.
- J. Fahrenberg *et al.*, *J. Micromech. Microeng.* 5, 77 (1995).
- C. Goll *et al.*, *J. Micromech. Microeng.* 6, 77 (1996).
- X. Yang, C. Grosjean, Y. C. Tai, C. M. Ho, *Sensors Actuators A* 64, 101 (1998).
- A. M. Young, T. M. Bloomstein, S. T. Palmacci, *J. Biomech. Eng. Trans. ASME* 121, 2 (1999).
- This work was partially supported by NIH (NS-11756, DA-9121).

24 November 1999; accepted 14 February 2000

Chain Mobility in the Amorphous Region of Nylon 6 Observed under Active Uniaxial Deformation

Leslie S. Loo, Robert E. Cohen, Karen K. Gleason*

A specially designed solid-state deuterium nuclear magnetic resonance probe was used to examine the effect of uniaxial elongation on the chain mobility in the amorphous region of semicrystalline nylon 6. In measurements conducted near the glass transition temperature, there was measurable deformation-induced enhancement of the mobility of the amorphous chains up to the yield point. This enhanced mobility decayed once deformation was stopped. Enhanced mobility was not observed in deformation at room temperature. The mechanics of deformation can be explained by the Robertson model for glassy polymers near the glass transition temperature, which states that applied stress induces liquid-like behavior in the polymer chains.

Polymers are gradually replacing metals in many important engineering applications. Ongoing research seeks methodologies to design polymers with improved mechanical properties without sacrificing the advantages of low density and ease of processing. This task requires knowledge of deformation mechanisms, which are well understood in metals but less so in thermoplastic polymers. Various models have been proposed to account for plastic deformation in amorphous glassy polymers (1, 2). It is unclear whether such models can be used to

characterize the behavior in the amorphous region of semicrystalline polymers, such as nylon, because the presence of crystallites imposes topological constraints on the chains in the amorphous zones (3, 4).

Experimental elucidation of the deformation mechanism in polymers has focused on reconstructing the phenomenon on the basis of x-ray or nuclear magnetic resonance (NMR) measurements of the orientation or dynamics of the polymer after deformation has ceased, that is, in a "dead" polymer specimen (5, 6). Thus, any motions that may be activated by steady deformation or during yield would not be observed. Furthermore, the lack of long-range order in the amorphous regions of semicrystalline polymers precludes in-depth investigation by x-ray tech-

Department of Chemical Engineering and Center for Materials Science and Engineering, Massachusetts Institute of Technology, Cambridge, MA 02139, USA.

*To whom correspondence should be addressed. E-mail: kkgleasn@mit.edu

WHAT IS CLAIMED IS:

- 1 1. A microfabricated elastomeric structure, comprising:
2 an elastomeric block formed with microfabricated recesses therein, a
3 portion of the elastomeric block deflectable when the portion is actuated.
- 1 2. The microfabricated elastomeric structure of claim 1 wherein the
2 recesses have a width in the range of 0.01 μm to 1000 μm .
- 1 3. The microfabricated elastomeric structure of claim 1 wherein the
2 recesses have a width in the range of 0.2 μm to 500 μm .
- 1 4. The microfabricated elastomeric structure of claim 1 wherein the
2 recesses have a width in the range of 10 μm to 200 μm .
- 1 5. The microfabricated elastomeric structure of claim 1 wherein the
2 recesses have a depth to height ratio of between about 0.1:1 and 100:1.
- 1 6. The microfabricated elastomeric structure of claim 1 wherein the
2 recesses have a depth to height ratio of between about 1:1 and 50:1.
- 1 7. The microfabricated elastomeric structure of claim 1 wherein the
2 recesses have a depth to height ratio of between about 2:1 and 20:1.
- 1 8. The microfabricated elastomeric structure of claim 1 wherein the
2 recesses have a depth of between about 0.01 μm and 1000 μm .
- 1 9. The microfabricated elastomeric structure of claim 1 wherein the
2 recesses have a depth of between about 0.2 μm and 250 μm .
- 1 10. The microfabricated elastomeric structure of claim 1 wherein the
2 recesses have a depth of between about 2 μm and 20 μm .
- 1 11. The microfabricated elastomeric structure of claim 1 wherein the
2 portion has a thickness of between about 0.01 μm and 1000 μm .
- 1 12. The microfabricated elastomeric structure of claim 1 wherein the
2 portion has a thickness of between about 0.2 μm and 250 μm .

1 13. The microfabricated elastomeric structure of claim 1, wherein the
2 portion has a thickness of between about 2 μm and 50 μm .

1 14. The microfabricated elastomeric structure of claim 1, wherein the
2 portion responds linearly to an applied actuation force.

1 15. The microfabricated elastomeric structure of claim 1, wherein the
2 portion is actuated at a speed of 100 Hz or greater.

1 16. The microfabricated elastomeric structure of claim 1, wherein the
2 structure contains substantially no dead volume when the portion is actuated.

1 17. The microfabricated elastomeric structure of claim 1 wherein:
2 the recesses comprise a first microfabricated channel and a second
3 microfabricated channel; and
4 the portion comprises an elastomeric membrane deflectable into either of
5 the first or second microfabricated channels when the membrane is actuated.

1 18. A microfabricated elastomeric structure of claim 1 wherein;
2 the recesses comprise a first microfabricated channel and a first
3 microfabricated recess; and
4 the portion comprises an elastomeric membrane deflectable into the first
5 microfabricated channel when the membrane is actuated.

1 19. A microfabricated elastomeric structure of claim 18 wherein the
2 first microfabricated recess comprises a second microfabricated channel.

1 20. The microfabricated elastomeric structure of claim 18 wherein the
2 membrane is deflectable into the first channel when the first microfabricated recess is
3 pressurized.

1 21. The microfabricated elastomeric structure of claim 18 wherein the
2 membrane is deflectable into the first channel when the membrane is electrostatically
3 actuated.

1 22. The microfabricated elastomeric structure of claim 21 wherein:
2 a first conductive portion is provided in the membrane; and

3 a second conductive portion is disposed on an opposite side of the first
4 channel from the first conductive portion.

1 23. The microfabricated elastomeric structure of claim 22 wherein at
2 least one of the first and second conductive portions comprises an intrinsically conductive
3 elastomer.

1 24. The microfabricated elastomeric structure of claim 22 wherein at
2 least one of the first and second conductive portions comprises an elastomer doped with a
3 conductive material.

1 25. The microfabricated elastomeric structure of claim 24 wherein the
2 conductive material comprises fine metal particles.

1 26. The microfabricated elastomeric structure of claim 24 wherein the
2 conductive material comprises carbon.

1 27. The microfabricated elastomeric structure of claim 18 wherein the
2 membrane is deflectable into the first channel when the membrane is magnetically
3 actuated.

1 28. The microfabricated elastomeric structure of claim 27 wherein:
2 a magnetic portion is provided in the membrane; and
3 means for applying a magnetic field is disposed on an opposite side of the
4 first channel from the magnetic portion.

1 29. The microfabricated elastomeric structure of claim 27 wherein:
2 a magnetic portion is provided in the membrane; and
3 means for applying a magnetic field is disposed on the same side of the
4 first channel as the magnetic portion.

1 30. The microfabricated elastomeric structure of claim 28 wherein the
2 means for applying a magnetic field comprises a magnet.

1 31. The microfabricated elastomeric structure of claim 28 wherein the
2 means for applying a magnetic field comprises a magnetic coil.

1 32. The microfabricated elastomeric structure of claim 28 wherein the
2 means for applying a magnetic field comprises a microfabricated magnetic coil.

1 33. The microfabricated elastomeric structure of claim 28 wherein the
2 magnetic portion comprises an intrinsically magnetic elastomer.

1 34. The microfabricated elastomeric structure of claim 28 wherein the
2 magnetic portion comprises an elastomer doped with a magnetic material.

1 35. The microfabricated elastomeric structure of claim 34 wherein the
2 dopant comprises a magnetically polarizable material.

1 36. The microfabricated elastomeric structure of claim 34 wherein the
2 dopant comprises a permanently magnetized material.

1 37. The microfabricated elastomeric structure of claim 27 wherein:
2 a permanently magnetized portion is provided in the membrane; and
3 means for applying a magnetic field is disposed on the same side of the
4 first channel from the permanently magnetized portion.

1 38. The microfabricated elastomeric structure of claim 27 wherein:
2 a permanently magnetized portion is provided in the membrane; and
3 means for applying a magnetic field is disposed on an opposite side of the
4 first channel from the permanently magnetized portion.

1 39. The microfabricated elastomeric structure of claim 19, wherein the
2 first and second microfabricated channels cross over one another, but do not intersect.

1 40. The microfabricated elastomeric structure of claim 19, wherein the
2 first and second microfabricated channels are disposed at an angle to one another, but do
3 not contact one another.

1 41. The microfabricated elastomeric structure of claim 19 wherein the
2 first and second microfabricated channels both pass through the elastomeric structure.

1 42. The microfabricated elastomeric structure of claim 19 wherein the
2 second microfabricated channel passes through the elastomeric structure and the first
3 microfabricated channel passes along a surface of the elastomeric structure.

1 43. The microfabricated elastomeric structure of claim 42, further
2 comprising:
3 a planar substrate positioned adjacent the surface of the elastomeric
4 structure along which the first microfabricated channel passes.

1 44. The microfabricated elastomeric structure of claim 18, further
2 comprising:
3 second and third recesses separated from the first channel by second and
4 third membranes respectively, which are deflectable into the first channel.

1 45. The microfabricated elastomeric structure of claim 19, further
2 comprising:
3 third and fourth channels disposed parallel to the second channel, wherein
4 the second, third and fourth channels are separated from the first channel by first, second
5 and third membranes respectively, deflectable into the first channel.

1 46. The microfabricated elastomeric structure of claim 45, wherein the
2 first, second, and third membranes are deflectable into the first channel when the second,
3 third and fourth channels, respectively, are pressurized.

1 47. The microfabricated elastomeric structure of claim 44 wherein the
2 first, second, and third membranes are deflectable into the first channel when the
3 membranes are electrostatically actuated.

1 48. The microfabricated elastomeric structure of claim 47, wherein,
2 first, second and third conductive portions are provided in the respective
3 membranes; and
4 fourth, fifth and sixth conductive portions are provided opposite the
5 respective first, second and third conductive portions such that the first and fourth, second
6 and fifth and third and sixth conductive portions are disposed on opposite sides of the first
7 channel.

1 49. The microfabricated elastomeric structure of claim 44, wherein the
2 membranes are deflectable into the first channel when the membranes are magnetically
3 actuated.

1 50. The microfabricated elastomeric structure of claim 49, wherein,
2 first, second and third magnetic portions are provided in the respective
3 first, second and third membranes; and
4 means for applying a magnetic field is disposed on an opposite side of the
5 first channel from the magnetic portion.

1 51. The microfabricated elastomeric structure of claim 49, wherein,
2 first, second and third permanently magnetized portions are provided in
3 the respective first, second and third membranes; and
4 means for applying a magnetic field is disposed on the same side of the
5 first channel from the magnetic portion.

1 52. The microfabricated elastomeric structure of claim 49, wherein,
2 first, second and third permanently magnetized portions are provided in
3 the respective first, second and third membranes; and
4 means for applying a magnetic field is disposed on an opposite side of the
5 first channel from the magnetic portion..

1 53. The microfabricated elastomeric structure of claim 19 further
2 comprising a third microfabricated channel parallel to the first channel, the second
3 channel having both wide and narrow portions disposed along its length, with a wide
4 portion being disposed adjacent the first channel and a narrow portion being disposed
5 adjacent the third channel.

1 54. The microfabricated elastomeric structure of claim 53, wherein
2 pressurizing the second channel causes the membrane separating the
3 second channel from the first channel to be deflected into the first channel but does not
4 cause the membrane separating the third channel from the second channel to be deflected
5 into the third channel.

1 55. The microfabricated elastomeric structure of claim 18 wherein the
2 membrane has a curved bottom surface such that the top of the first channel is curved.

1 56. The microfabricated elastomeric structure of claim 18 wherein at
2 least one of a bottom surface of the membrane and a top surface of the first channel bear
3 protrusions.

1 57. A microfabricated elastomeric structure comprising:
2 an elastomeric block;
3 a first channel and a second channel separated by a separating portion of
4 the elastomeric structure; and
5 a microfabricated recess in the elastomeric block adjacent to the separating
6 portion such that the separating portion may be actuated to deflect into the
7 microfabricated recess.

1 58. The microfabricated elastomeric structure of claim 57 wherein the
2 microfabricated recess experiences a reduced pressure which causes the separating
3 portion to deflect into the microfabricated recess.

1 59. The microfabricated elastomeric structure of claim 57 wherein the
2 separating portion is deflectable into the microfabricated recess when the separating
3 portion is electrostatically actuated.

1 60. The microfabricated elastomeric structure of claim 59 wherein:
2 a first conductive portion is provided in the separating portion; and
3 a second conductive portion is disposed on an opposite side of the
4 microfabricated recess from the first conductive portion.

1 61. The microfabricated elastomeric structure of claim 57 wherein the
2 separating portion is deflectable into the first channel when the separating portion is
3 magnetically actuated.

1 62. The microfabricated elastomeric structure of claim 61 wherein:
2 a first magnetic portion is provided in the separating portion; and
3 means for producing a magnetic field is disposed on an opposite side of
4 the microfabricated recess from the first magnetic portion.

1 63. The microfabricated elastomeric structure of claim 61 wherein:
2 a first permanently magnetized portion is provided in the separating
3 portion; and
4 means for producing a magnetic field is disposed on an opposite side of
5 the microfabricated recess from the first permanently magnetized portion.

1 64. The microfabricated elastomeric structure of claim 61 wherein:
2 a first permanently magnetized portion is provided in the separating
3 portion; and
4 means for producing a magnetic field is disposed on the same side of the
5 microfabricated recess from the first permanently magnetized portion.

1 65. The elastomeric structure of claim 57, further comprising a planar
2 substrate positioned adjacent a surface of the elastomeric structure along which the first
3 and second channels pass.

1 66. The microfabricated elastomeric structure of claim 57 wherein
2 deflection of the separating portion opens a passageway between the first and second
3 channels.

1 67. The elastomeric structure of claim 57, wherein first recess has a
2 wide segment disposed adjacent to the portion.

1 68. The microfabricated elastomeric structure of claim 1 wherein the
2 elastomeric structure comprises a material selected from the group consisting of:
3 polyisoprene, polybutadiene, polychloroprene, polyisobutylene,
4 poly(styrene-butadiene-styrene), the polyurethanes, and silicones.

1 69. The microfabricated elastomeric structure of claim 1 wherein the
2 elastomeric structure comprises a material selected from the group consisting of:
3 poly(bis(fluoroalkoxy)phosphazene) (PNF, Eypel-F), poly(carborane-
4 siloxanes) (Dexsil), poly(acrylonitrile-butadiene) (nitrile rubber), poly(1-butene),
5 poly(chlorotrifluoroethylene-vinylidene fluoride) copolymers (Kel-F), poly(ethyl vinyl

6 ether), poly(vinylidene fluoride), poly(vinylidene fluoride – hexafluoropropylene)
7 copolymer (Viton).

1 70. The microfabricated elastomeric structure of claim 1 wherein the
2 elastomeric structure comprises a material selected from the group consisting of:
3 elastomer compositions of polyvinylchloride (PVC), polysulfone,
4 polycarbonate, polymethylmethacrylate (PMMA), or polytertrafluoroethylene (Teflon).

1 71. The microfabricated elastomeric structure of claim 68 wherein the
2 elastomeric structure comprises a material selected from the group consisting of:
3 polydimethylsiloxane (PDMS) such as General Electric RTV 615, Dow
4 Chemical Corp. Sylgard 182, 184, or 186, and aliphatic urethane diacrylates such as
5 Ebecryl 270 or Irr 245 from UCB Chemicals.

1 72. The microfabricated elastomeric structure of claim 43 wherein the
2 planar substrate is glass.

1 73. The microfabricated elastomeric structure of claim 43 wherein the
2 planar substrate is an elastomeric material.

1 74. A microfabricated elastomeric structure of claim 18 wherein;
2 the first microfabricated channel is T-shaped and includes a stem in fluid
3 communication with a first branch and a second branch;
4 the elastomeric mambrane overlies and is deflectable into the first branch;
5 and
6 the elastomeric structure further comprises a second recess overlying the
7 second branch such that a second elastomeric membrane is deflectable into the second
8 branch when the membrane is actuated, such that a flow of fluid into the stem may be
9 directed into one of the first branch and the second branch by actuating the second
10 elastomeric membrane and the first elastomeric membrane, respectively.

1 METHODS OF ACTUATING

2 75. A method of actuating an elastomeric structure comprising:
3 providing an elastomeric block formed with first and second
4 microfabricated recesses therein, the first and second microfabricated recesses separated

5 by a membrane portion of the elastomeric block deflectable into one of the first and
6 second recesses in response to an actuation force; and

7 applying an actuation force to the membrane portion such that the
8 membrane portion is deflected into one of the first and the second recesses.

1 76. The method of claim 75 wherein the step of applying an actuation
2 force comprises applying a pressure to the second microfabricated recess to deflect the
3 membrane portion into the first microfabricated recess.

1 77. The method of claim 75 wherein the step of applying an actuation
2 force comprises applying an electrical field to attract a conductive portion of the
3 membrane into the first microfabricated recess.

1 78. The method of claim 75 wherein the step of applying an actuation
2 force comprises applying a magnetic field to attract a magnetically polarizable portion of
3 the membrane into the first microfabricated recess.

1 79. The method of claim 75 wherein the step of applying an actuation
2 force comprises applying a magnetic field to attract a permanently magnetized portion of
3 the membrane into the first microfabricated recess.

1 80. The method of claim 75 wherein the step of applying an actuation
2 force comprises applying a magnetic field to repel a permanently magnetized portion of
3 the membrane into the first microfabricated recess.

1 81. A method of controlling fluid or gas flow through an elastomeric
2 structure comprising:

3 providing an elastomeric structure having a first microfabricated channel
4 and a first microfabricated recess, the first microfabricated channel and the first
5 microfabricated recess separated by a membrane deflectable into the first channel;

6 passing a fluid or gas flow through the first channel; and

7 deflecting the membrane into the first channel.

1 82. The method of claim 81 wherein the membrane is deflected into
2 the first channel by increasing pressure within the microfabricated recess.

1 83. The method of claim 82 wherein pressure is increased in the first
2 microfabricated recess by a chemical reaction occurring with in the first microfabricated
3 recess.

1 84. The method of claim 83 wherein the chemical reaction is
2 electrolysis.

1 85. The method of claim 82 wherein the increased pressure is caused
2 by electrostatic actuation of a bellows structure in fluid communication with the first
3 microfabricated recess.

1 86. The method of claim 83 wherein the increased pressure is caused
2 by magnetic actuation of a bellows structure in fluid communication with the first
3 microfabricated recess.

1 87. The method of claim 82 wherein the increased pressure within the
2 first microfabricated recess arises due to an electrokinetic flow within the first
3 microfabricated recess.

1 88. The method of claim 81, further comprising:
2 providing a first conductive portion in the membrane;
3 providing a second conductive portion such that the first and second
4 conductive portions are disposed on opposite sides of the first channel; and
5 applying a voltage to the first and second conductive portions such that the
6 membrane is deflected into the first channel by an attractive electrostatic force.

1 89. The method of claim 81 further comprising:
2 providing a magnetically polarizable portion in the membrane; and
3 applying a magnetic field across the first channel such that the membrane
4 is deflected into the first channel by an attractive magnetic force.

1 90. The method of claim 81 further comprising:
2 providing a permanently magnetized portion in the membrane; and
3 applying a magnetic field across the first channel such that the membrane
4 is deflected into the first channel by an attractive magnetic force.

1 91. The method of claim 81 further comprising:
2 providing a permanently magnetized portion in the membrane; and
3 applying a magnetic field such that the membrane is deflected into the first
4 channel by a repulsive magnetic force.

1 92. A method of controlling fluid or gas flow through an elastomeric
2 structure comprising:

3 providing an elastomeric block, the elastomeric block having first, second,
4 and third microfabricated recesses, and the elastomeric block having a first
5 microfabricated channel passing therethrough, the first, second and third microfabricated
6 recesses separated from the first channel by respective first, second and third membranes
7 deflectable into the first channel; and

8 deflecting the first, second and third membranes into the first channel in a
9 repeating sequence to peristaltically pump a flow of fluid through the first channel.

1 93. The method of claim 92 wherein the first, second and third
2 membranes are deflected into the first channel by increasing pressure within the first,
3 second and third channels.

1 94. The method of claim 92 further comprising:

2 providing first, second and third conductive portions in respective first,
3 second and third membranes;

4 providing a fourth, fifth and sixth second conductive portion opposite the
5 respective first, second and third conductive portions such that the first and fourth, second
6 and fifth, and third and sixth conductive portions are disposed on opposite sides of the
7 first channel; and

8 applying in a repeated sequence voltage to the first and fourth, second and
9 fifth, and third and sixth conductive portions such that the membranes are deflected into
10 the first channel by an attractive electrostatic force.

1 95. The method of claim 92 further comprising:

2 providing first, second and third magnetically polarizable portions in the
3 first, second and third membranes, respectively;

4 applying in a repeated sequence a magnetic field to the first, second, and
5 third magnetically polarizable portions such that the first, second, and third membranes
6 are deflected into the first channel by an attractive magnetic force.

1 96. The method of claim 92 further comprising:

2 providing first, second and third permanently magnetized portions in the
3 first, second and third membranes, respectively;

4 applying in a repeated sequence a magnetic field to the first, second, and
5 third permanently magnetized portions such that the first, second, and third membranes
6 are deflected into the first channel by an attractive magnetic force.

1 97. The method of claim 92 further comprising:
2 providing first, second and third permanently magnetized portions in the
3 first, second and third membranes, respectively;
4 applying in a repeated sequence a magnetic field to the first, second, and
5 third permanently magnetized portions such that the first, second, and third membranes
6 are deflected into the first channel by an repulsive magnetic force.

1 98. A method of controlling fluid or gas flow through an elastomeric
2 structure comprising:
3 providing an elastomeric block having a first microfabricated channel and
4 a second microfabricated channel separated by a separating portion, a first
5 microfabricated recess adjacent to the separating portion;
6 passing a fluid or gas flow through the first channel; and
7 deflecting the separating portion into the first microfabricated recess,
8 thereby creating a passageway between the first microfabricated channel and the second
9 microfabricated channel.

1 99. The method of claim 98 wherein the separating portion is deflected
2 into the first microfabricated recess by decreasing pressure within the first
3 microfabricated recess.

1 100. The method of claim 98, further comprising:
2 providing a first conductive portion in the separating portion;
3 providing a second conductive portion such that the first and second
4 conductive portions are disposed on opposite sides of the first microfabricated recess; and
5 applying a voltage to the first and second conductive portions such that the
6 separating portion is deflected into the first microfabricated recess by an attractive
7 electrostatic force.

1 101. The method of claim 98 further comprising:
2 providing a magnetically polarizable portion in the separating portion; and

3 applying a magnetic field across the first microfabricated recess such that
4 the membrane is deflected into the first microfabricated recess by an attractive magnetic
5 force.

1 102. The method of claim 98 further comprising:
2 providing a permanently magnetized portion in the separating portion; and
3 applying a magnetic field across the first microfabricated recess such that
4 the membrane is deflected into the first microfabricated recess by an attractive magnetic
5 force.

1 103. The method of claim 98 further comprising:
2 providing a permanently magnetized portion in the membrane; and
3 applying a magnetic field such that the membrane is deflected into the first
4 microfabricated recess by a repulsive magnetic force.

1 104. A method of actuating a microfabricated elastomeric structure
2 comprising:
3 providing an elastomeric structure having first and second microfabricated
4 conductive portions, at least one of the first and the second microfabricated conductive
5 portions deflectable when an electrical charge is supplied to the two microfabricated
6 conductive portions; and
7 applying a voltage to the two microfabricated conductive portions, thereby
8 generating an attractive force therebetween such that at least one of the microfabricated
9 conductive portions is deflected.

1 105. A method of actuating a microfabricated elastomeric structure
2 comprising:
3 providing an elastomeric structure having a magnetic portion deflectable
4 when a magnetic field is applied; and
5 applying a magnetic field to the magnetic portion thereby generating an
6 actuating force on the magnetic portion such that the magnetic portion is deflected.

1 106. The use of a deflectable membrane to control flow of a fluid in a
2 microfabricated channel of an elastomeric structure.

1 107. The use of elastomeric layers to make a microfabricated elastomeric
2 device containing a microfabricated movable portion.

1 108. The use of an elastomeric material to make a microfabricated valve
2 or pump.

1 109. A method of microfabricating an elastomeric structure, comprising:
2 microfabricating a first elastomeric layer;
3 microfabricating a second elastomeric layer;
4 positioning the second elastomeric layer on top of the first elastomeric
5 layer; and
6 bonding a bottom surface of the second elastomeric layer onto a top
7 surface of the first elastomeric layer.

1 110. The method of claim 109 wherein the first and second elastomeric
2 layers are microfabricated by replication molding.

1 111. The method of claim 109 wherein the first and second elastomeric
2 layers are microfabricated by laser cutting.

1 112. The method of claim 109 wherein the first and second elastomeric
2 layers are microfabricated by chemical etching.

1 113. The method of claim 113 wherein the first and second elastomeric
2 layers are microfabricated by sacrificial layer methods.

1 114. The method of claim 109 wherein the first and second elastomeric
2 layers are microfabricated by injection molding.

1 115. The method of claim 109 wherein:
2 the first elastomeric layer is fabricated on a first micromachined mold
3 having at least one raised protrusion which forms at least one recess in the bottom of the
4 first elastomeric layer; and
5 the second elastomeric layer is fabricated on a second micromachined
6 mold having at least one raised protrusion which forms at least one recess in the bottom
7 of the first elastomeric layer.

1 116. The method of claim 115 wherein the first micromachined mold
2 has at least one first raised protrusion which forms at least one first channel in the bottom
3 surface of the first elastomeric layer.

1 117. The method of claim 116 wherein the second micromachined mold
2 has at least one second raised protrusion which forms at least one second channel in the
3 bottom surface of the second elastomeric layer.

1 118. The method of claim 117 wherein a bottom surface of the second
2 elastomeric layer is bonded onto a top surface of the first elastomeric layer such that the
3 at least one second channel is enclosed between the first and second elastomeric layers.

1 119. The method of claim 116 further comprising positioning the first
2 elastomeric layer on top of a planar substrate such that the at least one first channel is
3 enclosed between the first elastomeric layer and the planar substrate.

1 120. The method of claim 116 wherein a hermetic seal is formed
2 between the bottom of the first layer and the top of the planar substrate.

1 121. The method of claim 109 further comprising:
2 microfabricating an n^{th} elastomeric layer; and
3 bonding the bottom surface of the $(n-1)^{\text{th}}$ elastomeric layer onto a top
4 surface of the n^{th} elastomeric layer.

1 122. The method of claim 109 further comprising:
2 sequential addition of further elastomeric layers, whereby each layer is
3 added by:
4 microfabricating a successive elastomeric layer; and
5 bonding the bottom surface of the successive elastomeric layer onto a top
6 surface of the elastomeric structure.

1 123. A method of microfabricating an elastomeric structure comprising:
2 providing a first microfabricated elastomeric structure;
3 providing a second microfabricated elastomeric structure; and
4 bonding a surface of the first elastomeric structure onto a surface of the
5 second elastomeric structure.

1 124. The method of claim 109 wherein at least one of the first
2 elastomeric layer and the second elastomeric layer are fabricated from a material selected
3 from the group consisting of:

4 elastomeric compositions of polyisoprene, polybutadiene,
5 polychloroprene, polyisobutylene, poly(styrene-butadiene-styrene), the polyurethanes,
6 and silicones.

1 125. The method of claim 109 wherein at least one of the first
2 elastomeric layer and the second elastomeric layer are fabricated from a material selected
3 from the group consisting of:

4 poly(bis(fluoroalkoxy)phosphazene) (PNF, Eypel-F), poly(carborane-
5 siloxanes) (Dexsil), poly(acrylonitrile-butadiene) (nitrile rubber), poly(1-butene),
6 poly(chlorotrifluoroethylene-vinylidene fluoride) copolymers (Kel-F), poly(ethyl vinyl
7 ether), poly(vinylidene fluoride), poly(vinylidene fluoride – hexafluoropropylene)
8 copolymer (Viton).

1 126. The method of claim 109 wherein at least one of the first
2 elastomeric layer and the second elastomeric layer are fabricated from a composition
3 selected from the group consisting of:

4 polyvinylchloride (PVC), polysulfone, polycarbonate,
5 polymethylmethacrylate (PMMA), or polytertrafluoroethylene (Teflon).

1 127. The method of claim 124 wherein at least one of the first
2 elastomeric layer and the second elastomeric layer are fabricated from a material selected
3 from the group consisting of polydimethylsiloxane (PDMS) such as General Electric
4 RTV 615, Dow Chemical Corp. Sylgard 182, 184, or 186, and aliphatic urethane
5 diacrylates such as Ebecryl 270 or Irr 245 from UCB Chemicals.

1 128. The method of claim 109 wherein the first elastomeric layer has an
2 excess of a first chemical species and the second elastomeric layer has an excess of a
3 second chemical species.

1 129. The method of claim 128 wherein the elastomeric layers comprise
2 thermoset elastomers which are bonded together by heating above an elastic/plastic
3 transition temperature of at least one of the first and second elastomeric layers.

1 130. The method of claim 128 wherein the first and second chemical
2 species comprise different molecules.

1 131. The method of claim 128 wherein the first and second chemical
2 species comprise different polymer chains.

1 132. The method of claim 128 wherein the first and second chemical
2 species comprise different side groups on the same type of polymer chains.

1 133. The method of claim 128 wherein the first chemical species forms
2 bonds with the second chemical species when at least one chemical species is activated.

1 134. The method of claim 133 wherein the at least one chemical species
2 is activated by light.

1 135. The method of claim 133 wherein the at least one chemical species
2 is activated by heat.

1 136. The method of claim 133 wherein the at least one chemical species
2 is activated by the addition of a third chemical species.

1 137. The method of claim 136 wherein the at least one chemical species
2 diffuses through the elastomer structure.

1 138. The method of claim 128 wherein the first and second elastomeric
2 layers are formed of different elastomeric materials.

1 139. The method of claim 128 wherein the first and second elastomeric
2 layers are initially composed of the same elastomeric material, and an additional
3 elastomeric material is added to one of the first and second layers.

1 140. The method of claim 128 wherein the first and second elastomeric
2 layers are composed of the same component materials, but differ in the ratio in which the
3 component materials are mixed together.

1 141. The method of claim 140 wherein each of the elastomeric layers is
2 made of two-part silicone.

1 142. The method of claim 141 wherein each elastomeric layer comprises
2 an addition cure elastomer system.

1 143. The method of claim 141 wherein the silicone comprises two
2 different reactive groups and a catalyst.

1 144. The method of claim 143 wherein the first reactive group
2 comprises silicon hydride moieties, the second reactive group comprises vinyl moieties,
3 and the catalyst comprises platinum.

1 145. The method of claim 144 wherein each elastomeric layer comprises
2 G.E. RTV 615.

1 146. The method of claim 145 wherein the first elastomeric layer is
2 mixed with a ratio of less than 10A:1B (excess Si-H groups) and the second elastomeric
3 layer is mixed with a ratio of more than 10A:1B (excess vinyl groups).

1 147. The method of claim 146 wherein the first elastomeric layer has a
2 ratio of 3A:1B (excess Si-H groups) and the second elastomeric layer has a ratio of
3 30A:1B (excess vinyl groups).

1 148. The method of claim 128 wherein each of the elastomeric layers
2 are made of polyurethane.

1 149. The method of claim 148 wherein the polyurethane comprises
2 Ebecryl 270 or Irr 245 from UCB Chemicals.

1 150. The method of claim 109 wherein the first and second elastomeric
2 layers are made of the same material.

1 151. The method of claim 150 wherein at least one of the first and
2 second elastomeric layers are incompletely cured.

1 152. The method of claim 150 wherein both the first and second
2 elastomeric layers comprise a crosslinking agent.

1 153. The method of claim 152 wherein the crosslinking agent is
2 activated by light.

1 154. The method of claim 152 wherein the crosslinking agent is
2 activated by heat.

1 155. The method of claim 152 wherein the crosslinking agent is
2 activated by an additional chemical species.

1 156. The method of claim 150 wherein the elastomeric layers comprise
2 thermoset elastomers which are bonded together by heating above an elastic/plastic
3 transition temperature of at least one of the first and second elastomeric layers.

1 157. The method of claim 109 wherein the first and second layers are
2 bonded by a layer of adhesive.

1 158. The method of claim 157 wherein the adhesive comprises an
2 uncured elastomer which is cured to bond the first and second elastomeric layers together.

1 159. The method of claim 158 wherein the adhesive comprises the same
2 material as at least one of the first or second elastomeric layers.

1 160. The method of claim 109 wherein at least one of the elastomeric
2 layers further comprises a conductive portion.

1 161. The method of claim 160 wherein the conductive portion is made
2 by metal deposition.

1 162. The method of claim 161 wherein the conductive portion is made
2 by sputtering.

1 163. The method of claim 161 wherein the conductive portion is made
2 by evaporation.

1 164. The method of claim 161 wherein the conductive portion is made
2 by electroplating.

1 165. The method of claim 161 wherein the conductive portion is made
2 by electroless plating.

1 166. The method of claim 161 wherein the conductive portion is made
2 by chemical epitaxy.

1 167. The method of claim 160 wherein the conductive portion is made
2 by made by carbon deposition.

1 168. The method of claim 167 wherein the conductive portion is made
2 by mechanically rubbing material directly onto the elastomeric layer.

1 169. The method of claim 167 wherein the conductive portion is made
2 by exposing the elastomer to a solution of carbon particles in solvent.

1 170. The method of claim 169 wherein the solvent causes swelling of
2 the elastomer.

1 171. The method of claim 169 wherein the elastomer comprises silicone
2 and the solvent comprises a chlorinated solvent.

1 172. The method of claim 167 wherein the conductive portion is made
2 by electrostatic deposition.

1 173. The method of claim 167 wherein the conductive portion is made
2 by a chemical reaction producing carbon.

1 174. The method of claim 160 wherein the conductive portion is made
2 by:
3 patterning a thin layer of metal on a flat substrate;
4 adhering the elastomeric layer onto the flat substrate; and
5 peeling the elastomeric layer off the flat substrate, such that the metal
6 sticks to the elastomeric layer and comes off the flat substrate.

1 175. The method of claim 174 wherein the adhesion of the metal to the
2 flat substrate is weaker than the adhesion of the metal to the elastomer.

1 176. Method of claim 160 wherein the conductive portion is patterned.

1 177. The method of claim 176 wherein the conductive portion is
2 patterned by masking a surface of the conductive portion with a patterned sacrificial
3 material.

1 178. The method of claim 176 wherein the conductive portion is
2 patterned by:
3 depositing a sacrificial material on one of the elastomeric layers,
4 patterning the sacrificial material,
5 depositing a thin coat of conductive material thereover, and
6 removing the sacrificial material.

1 179. The method of claim 176 wherein the conductive portion is
2 patterned by masking the surface with a shadow mask.

1 180. The method of claim 179 wherein the conductive portion is
2 patterned by:
3 positioning a shadow mask adjacent to an elastomeric layer;
4 depositing a thin coat of conductive material through apertures in the
5 shadow mask; and
6 removing the shadow mask.

1 181. The method of claim 176 wherein the conductive portion is
2 patterned by etching.

1 182. The method of claim 181 wherein the conductive portion is
2 patterned by:
3 depositing a mask layer onto one of the elastomeric layers;
4 patterning the mask layer;
5 etching the conductive portion through holes in the mask layer; and
6 removing the mask layer.

1 183. The method of claim 160 wherein the conductive portion is
2 produced by doping the elastomer with a conductive material.

1 184. The method of claim 183 wherein the conductive material
2 comprises a metal.

1 185. The method of claim 183 wherein the conductive material
2 comprises carbon.

1 186. The method of claim 183 wherein the conductive material
2 comprises a conductive polymer.

1 187. The method of claim 183 wherein the elastomer used is inherently
2 conductive.

1 188. The method of claim 160 further comprising sealing the
2 microfabricated elastomeric structure onto a flat substrate, wherein the flat substrate
3 comprises at least one conductive portion.

1 189. The method of claim 188 wherein the flat substrate is covered by
2 an insulating layer.

1 190. The method of claim 54 wherein at least one of the first or second
2 elastomeric layers comprises a magnetic portion.

1 191. The method of claim 190 wherein the magnetic portion is
2 composed of an intrinsically magnetic elastomer.

1 192. The method of claim 190 wherein the magnetic portion is
2 composed of an elastomer doped with a magnetic material.

1 193. The method of claim 192 wherein the magnetic dopant is a
2 magnetically polarizeable material.

1 194. The method of claim 193 wherein the magnetic dopant is fine iron
2 particles.

1 195. The method of claim 192 wherein the magnetic dopant is a
2 permanently magnetized material.

1 196. The method of claim 195 wherein the permanently magnetized
2 material is NdFeB or SmCo magnetized by exposure to a high magnetic field.

1 197. The method of claim 190 wherein pieces of magnetic material are
2 relatively large compared with the size of the magnetic portion are incorporated into the
3 elastomer.

1 198. The method of claim 197 wherein the magnetic material is a
2 magnetically polarizeable material.

1 199. The method of claim 198 wherein the magnetic material is iron.

1 200. The method of claim 197 wherein the magnetic material is
2 permanently magnetized.

1 201. The method of claim 200 wherein the permanently magnetized
2 material is NdFeB or SmCo magnetized by exposure to a high magnetic field.

1 202. The method of claim 190 further comprising providing a structure
2 capable of generating a switchable magnetic field, disposed adjacent to said magnetic
3 portion, such that the application of said magnetic field to the elastomeric structure causes
4 the generation of a force on the magnetic portion.

1 203. The method of claim 202 wherein the structure generating the
2 magnetic field is a magnet coil.

1 204. The method of claim 202 wherein the structure generating the
2 magnetic field is a substrate with at least one microfabricated magnet coil disposed
3 thereon.

1 205. A method of microfabricating an elastomeric structure, comprising:
2 forming a first elastomeric layer on a substrate;
3 curing the first elastomeric layer;
4 patterning a first sacrificial layer over the first elastomeric layer;
5 forming a second elastomeric layer over the first elastomeric layer, thereby
6 encapsulating the first patterned sacrificial layer between the first and second elastomeric
7 layers;
8 curing the second elastomeric layer; and
9 removing the first patterned sacrificial layer selective to the first
10 elastomeric layer and the second elastomeric layer, thereby forming at least one first
11 recess between the first and second layers of elastomer.

1 206. The method of claim 205 further comprising patterning a second
2 sacrificial layer over the substrate prior to forming the first elastomeric layer, such that

3 the second patterned sacrificial layer is removed during removal of the first patterned
4 sacrificial layer to form at least one recess along a bottom of the first elastomeric layer.

1 207. The method of claim 205 further comprising:
2 patterning a second sacrificial layer over the second elastomeric layer;
3 forming a third elastomeric layer over the second elastomeric layer,
4 thereby encapsulating the second patterned sacrificial layer between the second and third
5 elastomeric layers; and
6 curing the third elastomeric layer such that the second patterned sacrificial
7 layer is removed during removal of the first patterned sacrificial layer to form a recess
8 between the second and third elastomeric layers.

1 208. The method of claim 205 further comprising:
2 patterning an (n-1)th sacrificial layer over the nth elastomer layer;
3 forming a (n+1)th elastomeric layer over the (n-1)th patterned sacrificial
4 layer; and
5 bonding the bottom surface of the (n-1)th elastomeric layer onto a top
6 surface of the nth elastomeric layer thereby encapsulating the (n-1)th patterned sacrificial
7 layer between the nth and (n+1)th elastomeric layers; and
8 curing the (n+1) elastomeric layer such that the (n-1)th patterned sacrificial
9 layer is removed during removal of the first patterned sacrificial layer to form a recess
10 between the nth and (n+1)th elastomeric layers.

1 209. The method of claim 205 wherein the first patterned sacrificial
2 layer comprises photoresist.

1 210. The method of claim 205 wherein the at least one of the first and
2 second elastomeric layers are formed by spincoating.

1 211. The method of claim 205 wherein the first recess comprises a
2 channel.

1 212. The method of claim 205 further comprising bonding the first
2 elastomeric layer to the second elastomeric layer.

1 213. The method of claim 207 further comprising:
2 bonding the first elastomeric layer to the second elastomeric layer; and

3 bonding the third elastomeric layer to the second elastomeric layer.

1 214. The method of claim 205 wherein at least one of the first
2 elastomeric layer and the second elastomeric layer are formed from a material selected
3 from the group consisting of:

4 polyisoprene, polybutadiene, polychloroprene, polyisobutylene,
5 poly(styrene-butadiene-styrene), the polyurethanes, and silicones.

1 215. The method of claim 205 wherein at least one of the first
2 elastomeric layer and the second elastomeric layer are formed from a material selected
3 from the group consisting of:

4 poly(bis(fluoroalkoxy)phosphazene) (PNF, Eypel-F), poly(carborane-
5 siloxanes) (Dexsil), poly(acrylonitrile-butadiene) (nitrile rubber), poly(1-butene),
6 poly(chlorotrifluoroethylene-vinylidene fluoride) copolymers (Kel-F), poly(ethyl vinyl
7 ether), poly(vinylidene fluoride), poly(vinylidene fluoride – hexafluoropropylene)
8 copolymer (Viton).

1 216. The method of claim 205 wherein at least one of the first
2 elastomeric layer and the second elastomeric structure are fabricated from a material
3 selected from the group consisting of:

4 elastomeric compositions of polyvinylchloride (PVC), polysulfone,
5 polycarbonate, polymethylmethacrylate (PMMA), or polytetrafluoroethylene (Teflon).

1 217. The method of claim 214 wherein the elastomeric structure is
2 fabricated from a material selected from the group consisting of:

3 polydimethylsiloxane (PDMS) such as General Electric RTV 615, Dow
4 Chemical Corp. Sylgard 182, 184, or 186, and aliphatic urethane diacrylates such as
5 Ebecryl 270 or Irr 245 from UCB Chemicals.

1 218. The method of claim 212 wherein the bonding occurs by
2 interpenetration and reaction of the polymer chains of the uncured elastomer with the
3 polymer chains of the cured elastomer.

1 219. The method of claim 212 wherein the first elastomeric layer has an
2 excess of a first chemical species and the second elastomeric layer has an excess of a
3 second chemical species.

1 220. The method of claim 219 wherein the first and second chemical
2 species comprise different molecules.

1 221. The method of claim 219 wherein the first and second chemical
2 species comprise different polymer chains.

1 222. The method of claim 219 wherein the first and second chemical
2 species comprise different side groups on the same type of polymer chains.

1 223. The method of claim 219 wherein the first chemical species forms
2 bonds with the second chemical species when at least one chemical species is activated.

1 224. The method of claim 223 wherein the at least one chemical species
2 is activated by light.

1 225. The method of claim 223 wherein the at least one chemical species
2 is activated by heat.

1 226. The method of claim 223 wherein the at least one chemical species
2 is activated by the addition of a third chemical species.

1 227. The method of claim 226 wherein the at least one chemical species
2 diffuses through the elastomer structure.

1 228. The method of claim 219 wherein the first and second elastomeric
2 layers are formed of different elastomeric materials.

1 229. The method of claim 219 wherein the first and second elastomeric
2 layers are initially composed of the same elastomeric material, and an additional
3 elastomeric material is added to one of the first and second layers.

1 230. The method of claim 219 wherein the first and second elastomeric
2 layers are composed of the same component materials but differ in the ratio in which the
3 component materials are mixed together.

1 231. The method of claim 230 wherein each of the elastomeric layers is
2 made of two-part silicone.

1 232. The method of claim 231 wherein each elastomeric layer comprises
2 an addition cure elastomer system.

1 233. The method of claim 231 wherein the silicone comprises two
2 different reactive groups and a catalyst.

1 234. The method of claim 233 wherein the first reactive group
2 comprises silicon hydride moieties, the second reactive group comprises vinyl moieties,
3 and the catalyst comprises platinum.

1 235. The method of claim 234 wherein each elastomeric layer comprises
2 G.E. RTV 615.

1 236. The method of claim 235 wherein the first elastomeric layer is
2 mixed with a ratio of less than 10A:1B (excess Si-H groups) and the second elastomeric
3 layer is mixed with a ratio of more than 10A:1B (excess vinyl groups).

1 237. The method of claim 229 wherein the first elastomeric layer has a
2 ratio of 3A:1B (excess Si-H groups) and the second elastomeric layer has a ratio of
3 30A:1B (excess vinyl groups).

1 238. The method of claim 219 wherein each of the elastomeric layers
2 are made of polyurethane.

1 239. The method of claim 238 wherein the polyurethane comprises
2 Ebecryl 270 or Irr 245 from UCB Chemicals.

1 240. The method of claim 212 wherein the first and second elastomeric
2 layers are made of the same material.

1 241. The method of claim 240 wherein at least one of the first and
2 second elastomeric layers are incompletely cured.

1 242. The method of claim 240 wherein the first and second elastomeric
2 layers include a crosslinking agent.

1 243. The method of claim 242 wherein the crosslinking agent is
2 activated by light.

1 244. The method of claim 242 wherein the crosslinking agent is
2 activated by heat.

1 245. The method of claim 242 wherein the crosslinking agent is
2 activated by an additional chemical species.

1 246. The method of claim 212 wherein the elastomeric layers comprise
2 thermoset elastomers which are bonded together by heating above an elastic/plastic
3 transition temperature of at least one of the first and second elastomeric layers.

1 247. The method of claim 205 wherein at least one of the first
2 elastomeric layer and the second elastomeric layer further comprise a conductive portion.

1 248. The method of claim 247 wherein the conductive portion is made
2 by metal deposition.

1 249. The method of claim 247 wherein the conductive portion is made
2 by sputtering.

1 250. The method of claim 247 wherein the conductive portion is made
2 by evaporation.

1 251. The method of claim 248 wherein the conductive portion is made
2 by electroplating.

1 252. The method of claim 248 wherein the conductive portion is made
2 by electroless plating.

1 253. The method of claim 248 wherein the conductive portion is made
2 by chemical epitaxy.

1 254. The method of claim 247 wherein the conductive portion is made
2 by made by carbon deposition.

1 255. The method of claim 254 wherein the conductive portion is made
2 by mechanically rubbing material directly onto the elastomeric layer.

1 256. The method of claim 254 wherein the conductive portion is made
2 by exposing the elastomer to a solution of carbon particles in solvent.

1 257. The method of claim 256 wherein the solvent causes swelling of
2 the elastomer.

1 258. The method of claim 256 wherein the elastomer comprises silicone
2 and the solvent comprises a chlorinated solvent.

1 259. The method of claim 254 wherein the conductive portion is made
2 by electrostatic deposition.

1 260. The method of claim 254 wherein the conductive portion is made
2 by a chemical reaction producing carbon.

1 261. The method of claim 247 wherein the conductive portion is made
2 by:
3 patterning a thin layer of metal on a flat substrate;
4 adhering the elastomeric layer onto the flat substrate; and
5 peeling the elastomeric layer off the flat substrate, such that the metal
6 sticks to the elastomeric layer and comes off the flat substrate.

1 262. The method of claim 261 wherein the adhesion of the metal to the
2 flat substrate is weaker than the adhesion of the metal to the elastomer.

1 263. Method of claim 247 wherein the conductive portion is patterned.

1 264. The method of claim 262 wherein the conductive portion is
2 patterned by masking a surface of the conductive portion with a patterned sacrificial
3 material.

1 265. The method of claim 262 wherein the conductive portion is
2 patterned by:
3 depositing a sacrificial material on one of the elastomeric layers,
4 patterning the sacrificial material,
5 depositing a thin coat of conductive material thereover, and
6 removing the sacrificial material.

1 266. The method of claim 262 wherein the conductive portion is
2 patterned by masking the surface with a shadow mask.

1 267. The method of claim 266 wherein the conductive portion is
2 patterned by:
3 positioning a shadow mask adjacent to elastomeric layer;
4 depositing a thin coat of conductive material through apertures in the
5 shadow mask; and
6 removing the shadow mask.

1 268. The method of claim 262 wherein the conductive portion is
2 patterned by etching.

1 269. The method of claim 268 wherein the conductive portion is
2 patterned by:
3 depositing a mask layer onto one of the elastomeric layers;
4 patterning the mask layer;
5 etching the conductive portion through holes in the mask layer; and
6 removing the mask layer.

1 270. The method of claim 250 wherein the conductive portion is
2 produced by doping the elastomer with a conductive material.

1 271. The method of claim 270 wherein the conductive material
2 comprises a metal.

1 272. The method of claim 270 wherein the conductive material
2 comprises carbon.

1 273. The method of claim 270 wherein the conductive material
2 comprises a conductive polymer.

1 274. The method of claim 269 wherein the elastomer is inherently
2 conductive.

1 275. The method of claim 247 further comprising sealing the
2 microfabricated structure on a flat surface, wherein the flat surface comprises at least one
3 conductive portion.

1 276. The method of claim 275 wherein the flat substrate is covered by
2 an insulating layer.

1 277. The method of claim 205 wherein at least one of the first or second
2 elastomeric layers comprises a magnetic portion.

1 278. The method of claim 277 wherein the magnetic portion is
2 composed of an intrinsically magnetic elastomer.

1 279. The method of claim 277 wherein the magnetic portion is
2 composed of an elastomer doped with a magnetic material.

1 280. The method of claim 279 wherein the magnetic dopant is a
2 magnetically polarizeable material.

1 281. The method of claim 280 wherein the magnetic dopant is fine iron
2 particles.

1 282. The method of claim 279 wherein the magnetic dopant is
2 permanently magnetized.

1 283. The method of claim 282 wherein the magnetic dopant is NdFeB or
2 SmCo magnetized by exposure to a high magnetic field.

1 284. The method of claim 277 wherein pieces of magnetic material are
2 relatively large compared with the size of the magnetic portion are incorporated into the
3 elastomer.

1 285. The method of claim 284 wherein the magnetic material is a
2 magnetically polarizeable material.

1 286. The method of claim 285, wherein the magnetic material is iron.

1 287. The method of claim 284, wherein the magnetic material is
2 permanently magnetized.

1 288. The method of claim 287, wherein the permanently magnetic
2 material is NdFeB or SmCo magnetized by exposure to a high magnetic field.

1 289. The method of claim 286, further comprising providing a structure
2 capable of generating a switchable magnetic field, disposed adjacent to said magnetic
3 portion, such that the application of said magnetic field to the elastomeric structure causes
4 the generation of a force on the magnetic portion.

1 290. The method of claim 286, wherein the structure generating the
2 magnetic field is a magnet coil.

291. The method of claim 286, wherein the structure generating the magnetic field is a substrate with at least one microfabricated magnet coil disposed thereon.

292. A method of fabricating an elastomeric structure, comprising:
forming a first elastomeric layer on top of a first micromachined mold, the first micromachined mold having a first raised protrusion which forms a first recess extending along a bottom surface of the first elastomeric layer;

forming a second elastomeric layer on top of a second micromachined mold, the second micromachined mold having a second raised protrusion which forms a second recess extending along a bottom surface of the second elastomeric layer;

bonding the bottom surface of the second elastomeric layer onto a top surface of the first elastomeric layer such that a control channel forms in the second recess between the first and second elastomeric layers; and

positioning the first elastomeric layer on top of a planar substrate such that a flow channel forms in the first recess between the first elastomeric layer and the planar substrate.

293. The method of claim 292, wherein the first and second elastomeric layers are each casted on top of the micromachined molds.

294. The method of claim 292, wherein the first and second recesses extend fully across the respective bottom surfaces of the first and second elastomeric layers.

295. The method of claim 292, wherein the recesses formed on the first and second elastomeric layers have a width to depth ratio of about 10 to 1.

296. The method of claim 295, wherein the recesses have a width of about 100 um and a depth of about 10 um.

297. The method of claim 292, wherein the first elastomeric layer has a thickness of about 40 um.

298. The method of claim 29, wherein the portion of the first elastomeric layer disposed between the first and second recesses has a thickness of about 30 um.

299. The method of claim 292, wherein the second elastomeric layer has a thickness of about 4 mm.

300. The method of claim 292, wherein the thickness of the second elastomeric layer is about 100 times the thickness of the first elastomeric layer.

301. The method of claim 412, wherein bonding the bottom surface of the second elastomeric layer onto the top surface of the first elastomeric layer comprises a soft lithography process.

302. The method of claim 412, wherein bonding the bottom surface of the second elastomeric layer onto the top surface of the first elastomeric layer by a soft lithography process comprises two-component addition-cure bonding.

303. The method of claim 412, wherein one of the bottom surface of the second elastomeric layer and the top surface of the first elastomeric layer have an excess of a binding component and the other of the bottom surface of the second elastomeric layer and the top surface of the first elastomeric layer have a deficit of the binding component.

304. The method of claim 292, wherein the first and second elastomeric layers are selected from the group of materials consisting of silicone rubber, polyisoprene,

polybutadiene, polychloroprene, polyisobutylene, poly(styrene-butadiene-styrene), the polyurethanes, and silicones.

305. The method of claim 304, wherein the first and second layers are selected from the group of materials consisting of polyvinylchloride (PVC), polysulfone, polycarbonate, polymethylmethacrylate (PMMA), or polytertrafluoroethylene (Teflon).

306. The method of claim 304, wherein the first and second layers are selected from the group of materials consisting of General Electric RTV 615, or of the families including the polydimethylsiloxane (PDMS) such as Dow Chemical Corp. Sylgard 182, 184, or 186, and aliphatic urethane diacrylates such as Ebecryl 270 or Irr 245 from UCB Chemicals.

307. The method of claim 292, wherein the bottom surface of the second elastomeric layer is bonded onto the top surface of the first elastomeric layer such that the first recess on the first elastomeric layer is disposed at an angle to the second recess on the second elastomeric layer.

308. The method of claim 307, wherein the angle is generally perpendicular.

309. The method of claim 292, wherein positioning the first layer on top of a planar substrate comprises:

sealing the first layer on top of the planar substrate.

310. The method of claim 292, further comprising:

sputtering, evaporating or electroplating a metallic powder into at least one of the elastomeric layers so as to form an electrode in a portion of the second elastomeric layer.

311. The method of claim 310, wherein the first electrode is formed on the portion of the second elastomeric layer disposed over the first recess.

312. The method of claim 292, further comprising:

depositing a metallic powder onto a portion of the planar substrate so as to form an electrode in a portion of the planar substrate.

313. The method of claim 312, wherein the portion of the planar substrate is disposed below the first recess.

314. The method of claim 292, further comprising:
depositing a magnetic material into at least one of the elastomeric layers so as to make at least a portion of the second elastomeric layer magnetic.

315. The method of claim 314, wherein the magnetic portion of the first elastomeric layer is disposed above the first recess.

316. The method of claim 292, further comprising:
depositing a metallic powder onto a portion of the planar substrate so as to make a portion of the planar substrate magnetic.

317. The method of claim 316, wherein the magnetic portion of the planar substrate is disposed below the first recess.

318. The method of claim 292, further comprising:
doping at least one of the elastomeric layers with carbon black so as to make at least a portion of the elastomeric layer electrically conductive.

319. A method of controlling fluid or gas flow through the elastomeric structure of claim 292, comprising:
passing a fluid flow through the flow channel; and
pressurizing the control channel such that a portion of the elastomeric structure separating the control channel from the flow channel is deflected into the flow channel so as to block fluid flow through the flow channel.

320. The method of claim 319, wherein the control channel is pressurized by a gas.

321. The method of claim 319, wherein the control channel is pressurized by a liquid.

322. A method of fabricating an elastomeric structure, comprising:

forming a first elastomeric layer on top of a first micromachined mold, the first micromachined mold having a plurality of first raised protrusions which form first recesses extending along a bottom surface of the first elastomeric layer;

forming a second elastomeric layer on top of a second micromachined mold, the second micromachined mold having a second raised protrusion which forms a second recess extending along a bottom surface of the second elastomeric layer;

bonding the bottom surface of the second elastomeric layer onto a top surface of the first elastomeric layer such that a control channel forms in the second recess between the first and second elastomeric layers; and

positioning the first layer on top of a planar substrate such that a plurality of flow channels form in the first recesses between the first elastomeric layer and the planar substrate.

323. The method of claim 322, wherein the plurality of first recesses are generally parallel to one another.

324. The method of claim 322, wherein the plurality of first recesses are generally disposed at an angle to the second recess.

325. The method of claim 324, wherein the angle is generally perpendicular.

326. A method of controlling fluid or gas flow through the elastomeric structure of claim 292, comprising:

passing fluid flows through the flow channels; and

pressurizing the control channel such that portions of the elastomeric structure separating the control channel from the flow channels are deflected into the flow channels so as to block fluid flow through the flow channels.

327. The method of claim 326, wherein the control channel is pressurized by a gas.

328. The method of claim 326, wherein the control channel is pressurized by a liquid.

329. A method of fabricating an elastomeric structure, comprising:

forming a first elastomeric layer on top of a first micromachined mold, the first micromachined mold having a first raised protrusion which forms a first recess extending along a bottom surface of the first elastomeric layer;

forming a second elastomeric layer on top of a second micromachined mold, the second micromachined mold having a plurality of second raised protrusions which form a plurality of second recesses extending along a bottom surface of the second elastomeric layer;

bonding the bottom surface of the second elastomeric layer onto a top surface of the first elastomeric layer such that a plurality of control channels form in the second recesses between the first and second elastomeric layers; and

positioning the first layer on top of a planar substrate such that a flow channel forms in the first recess between the first elastomeric layer and the planar substrate.

330. The method of claim 329, wherein the plurality of second recesses are generally parallel to one another.

331. The method of claim 329, wherein the plurality of second recesses are generally disposed at an angle to the first recess.

332. The method of claim 331 wherein the angle is generally perpendicular.

333. A method of controlling fluid or gas flow through the elastomeric structure of claim 329, comprising:

pressurizing the control channels in a repeating sequence such that portions of the elastomeric structure separating the control channels from the flow channel are deflected into the flow channel in sequence, so as to sequentially push fluid flow through the flow channel, thereby generating a peristaltic pumping affect.

334. The method of claim 329, wherein the control channels are pressurized by a gas.

335. The method of claim 329, wherein the control channels are pressurized by a liquid.

336. A method of fabricating an elastomeric structure, comprising:
forming a first elastomeric layer on top of a substrate;
depositing a first photoresist layer on the top surface of the first elastomeric layer;
removing a portion of the first photoresist layer such that a first line of photoresist remains on the top surface of the first elastomeric layer;
forming a second elastomeric layer over the first elastomeric layer thereby encapsulating the first line of photoresist between the first and second elastomeric layers;
depositing a second photoresist layer on the top surface of the second elastomeric layer;
removing a portion of the second photoresist layer such that a second line of photoresist remains on the top surface of the second elastomeric layer;
forming a third elastomeric layer over the second elastomeric layer thereby encapsulating the second line of photoresist between the second and third elastomeric layers; and
removing the first and second lines of photoresist, thereby forming respective first and second channels passing through the elastomeric structure.

337. The method of claim 425, further comprising:
bonding the second elastomeric layer to the first elastomeric layer by a soft lithography process; and
bonding the third elastomeric layer to the second elastomeric layer by a soft lithography process, thereby forming an integrated elastomeric structure.

338. The method of claim 336, further comprising:
removing the substrate from the bottom of the integrated elastomeric structure.

339. The method of claim 425, wherein bonding of the second elastomeric layer to the first elastomeric layer and of the third elastomeric layer to the second elastomeric layer comprises:

two component addition-cure bonding.

340. The method of claim 336, wherein first line or pattern of photoresist on the first elastomeric layer is disposed at an angle to the second line of photoresist on the second elastomeric layer.

341. The method of claim 340, wherein the angle is generally perpendicular.

342. The method of claim 336, wherein the first and second lines or patterns of photoresist deposited on the first and second elastomeric layers have a width to depth ratio of about 10 to 1.

343. The method of claim 336, wherein the first and second lines or patterns of photoresist deposited on the first and second elastomeric layers have a width of about 100 μm and a depth of about 10 μm .

344. The method of claim 336, wherein the second elastomeric layer has a thickness of about 40 μm .

345. The method of claim 336, wherein the third elastomeric layer has a thickness of about 4 mm.

346. The method of claim 425, wherein the first and second elastomeric layers are cured together.

347. The method of claim 425, wherein the first and second elastomeric layers are cured together.

348. The method of claim 336, wherein the first and second elastomeric layers are selected from the group of materials consisting of silicone rubber, polyisoprene, polybutadiene, polychloroprene, polyisobutylene, poly(styrene-butadiene-styrene), the polyurethanes, and silicones.

349. The method of claim 348, wherein the first and second layers are selected from the group of materials consisting of polyvinylchloride (PVC), polysulfone, polycarbonate, polymethylmethacrylate (PMMA), or polytertrafluoroethylene (Teflon).

350. The method of claim 348, wherein the first and second elastomers layers are selected from the group of materials consisting of General Electric RTV 615, or

of the families including the polydimethylsiloxane (PDMS) such as Dow Chemical Corp. Sylgard 182, 184, or 186, and aliphatic urethane diacrylates such as Ebecryl 270 or Irr 245 from UCB Chemicals.

351. The method of claim 336, further comprising:
any of the steps set out in claims 304 above.

352. A method of controlling fluid or gas flow through the elastomeric structure of claim 1, comprising:

passing a fluid flow through the first channel; and
pressurizing the second channel such that a portion of the elastomeric structure separating the second channel from the first channel is deflected into the first channel so as to block fluid flow through the first channel.

353. The method of claim 336, wherein the second channel is pressurized by a gas.

354. The method of claim 336, wherein the second channel is pressurized by a liquid.

355. A method of fabricating an elastomeric structure, comprising:
forming a first elastomeric layer on top of a substrate;
depositing a first photoresist layer on the top surface of the first elastomeric layer;
removing a portion of the first photoresist layer such that a plurality of first lines of photoresist remain on the top surface of the first elastomeric layer;
forming a second elastomeric layer over the first elastomeric layer thereby encapsulating the first lines of photoresist between the first and second elastomeric layers;
depositing a second photoresist layer on the top surface of the second elastomeric layer;
removing a portion of the second photoresist layer such that a second line of photoresist remains on the top surface of the second elastomeric layer;
forming a third elastomeric layer over the second elastomeric layer thereby encapsulating the second line of photoresist between the second and third elastomeric layers; and

removing the first and second lines of photoresist, thereby forming respective first and second channels passing through the elastomeric structure.

356. The method of claim 425, further comprising:

bonding the second elastomeric layer to the first elastomeric layer by a soft lithography process; and

bonding the third elastomeric layer to the second elastomeric layer by a soft lithography process, thereby forming an integrated elastomeric structure.

357. The method of claim 335, wherein the plurality of first lines of photoresist are generally parallel to one another.

358. The method of claim 335, wherein the plurality of first lines of photoresist are generally disposed at an angle to the second line of photoresist.

359. The method of claim 358, wherein the angle is generally perpendicular.

360. A method of controlling fluid or gas flow through the elastomeric structure of claim 336, comprising:

passing fluid flows through the first channels; and

pressurizing the second channel such that portions of the elastomeric structure separating the second channel from the first channels are deflected into the first channels so as to block fluid flow through the second channels.

361. The method of claim 360, wherein the second channel is pressurized by a gas.

362. The method of claim 360, wherein the second channel is pressurized by a liquid.

363. A method of fabricating an elastomeric structure, comprising:

forming a first elastomeric layer on top of a substrate;

depositing a first photoresist layer on the top surface of the first elastomeric layer;

removing a portion of first photoresist layer such that a first line of photoresist remains on the top surface of the first elastomeric layer;

forming a second elastomeric layer over the first elastomeric layer thereby encapsulating the first line of photoresist between the first and second elastomeric layers;
depositing a second photoresist layer on the top surface of the second elastomeric layer;

removing a portion of the second photoresist layer such that a plurality of second lines of photoresist remain on the top surface of the second elastomeric layer;

depositing a third elastomeric layer over the second elastomeric layer thereby encapsulating the plurality of second lines of photoresist between the second and third elastomeric layers; and

removing the first and second lines of photoresist, thereby forming respective first and second channels passing through the elastomeric structure.

364. The method of claim 363, further comprising:

bonding the second elastomeric layer to the first elastomeric layer; and

bonding the third elastomeric layer to the second elastomeric layer,

thereby forming an integrated elastomeric structure.

365. The method of claim 363, wherein the plurality of second lines of photoresist are generally parallel to one another.

366. The method of claim 363, wherein the plurality of second lines of photoresist are generally disposed at an angle to the first line of photoresist.

367. The method of claim 366, wherein the angle is generally perpendicular.

368. A method of controlling fluid or gas flow through the elastomeric structure of claim 336, comprising:

pressurizing the second channels in a repeating sequence such that portions of the elastomeric structure separating the second channels from the first channel are deflected into the first channel in sequence, so as to sequentially push fluid flow through the first channel, thereby generating a peristaltic pumping affect.

369. The method of claim 368, wherein the second channel is pressurized by a gas.

370. The method of claim 368, wherein the second channel is pressurized by a liquid.

371. An elastomeric structure for regulating fluid or gas flow, comprising: an elastomeric block formed with first and second microfabricated channels passing therethrough, wherein the first and second microfabricated channels cross over one another, but do not intersect.

372. A structure for regulating fluid or gas flow, comprising:
a planar substrate; and
an elastomeric block disposed on the top of the planar substrate, wherein the elastomeric block comprises a first recess extending along its bottom surface, the first recess forming a first microfabricated channel extending along between the planar substrate and the elastomeric block, and wherein the elastomeric block further comprises a second microfabricated channel passing therethrough, wherein the first and second microfabricated channels cross over one another, but do not intersect.

373. The structure of claim 371, wherein the first and second microfabricated channels are disposed at an angle to one another.

374. The structure of claim 373, wherein the angle is perpendicular.

375. The structure of claim 371, wherein the first and second microfabricated channels have a width to height ratio of about 10 to 1.

376. The structure of claim 371, wherein the first and second microfabricated channels have a width of about 100 μm and a height of about 10 μm .

377. The structure of claim 371, wherein the elastomeric structure or block is fabricated according to any of the present methods.

378. The structure of claim 371, wherein the planar substrate is glass.

379. The structure of claim 371, wherein the planar substrate is an elastomeric material.

380. The structure of claim 371, wherein a top surface of the first channel is curved.

381. The structure of claim 371, wherein the portion of the elastomeric structure disposed between the first and second channels at an intersection of the first and second channels has a thickness of about 30 um.

382. The structure of claim 371, wherein the first and second channels are separated by a portion of the structure which is deflectable downward into the second channel when the first channel is pressurized, thereby closing the second channel.

383. The structure of claim 371, wherein the elastomeric block is formed from the group of materials consisting of silicone rubber, polyisoprene, polybutadiene, polychloroprene, polyisobutylene, poly(styrene-butadiene-styrene), the polyurethanes, silicones, General Electric RTV 615, or including polydimethylsiloxane (PDMS) such as Dow Chemical Corp. Sylgard 182, 184, or 186, and aliphatic urethane diacrylates such as Ebecryl 270 or Irr 245 from UCB Chemicals.

384. An elastomeric structure for regulating fluid or gas flow, comprising:
an elastomeric block formed with a plurality of parallel first microfabricated channels passing therethrough, and with a second microfabricated channels passing therethrough, wherein the second microfabricated channel crosses over, but do not intersect the plurality of parallel first microfabricated channels.

385. The elastomeric structure of claim 384, wherein the plurality of parallel first microfabricated channels are disposed at an angle to the second microfabricated channel.

386. The elastomeric structure of claim 385, wherein the angle is perpendicular.

387. A structure for regulating fluid or gas flow, comprising:
a planar substrate; and
an elastomeric block bonded onto the top of the planar substrate, wherein the elastomeric block comprises a plurality of first recesses extending along its bottom surface, the plurality of first recesses forming a plurality of first channels extending along between the planar substrate and the elastomeric block, and wherein the elastomeric block further comprises a second channel passing therethrough, wherein the second channel crosses over, but does not intersect the plurality of first channels.

388. The structure of claim 387, wherein the plurality of first channels are disposed at an angle to the second microfabricated channel.

389. The elastomeric structure of claim 388, wherein the angle is perpendicular.

390. An elastomeric structure for regulating fluid or gas flow, comprising: an elastomeric block formed with a first microfabricated channel passing therethrough, and with a of plurality of parallel second microfabricated channels passing therethrough, wherein the plurality of second microfabricated channels crosses over, but does not intersect the first microfabricated channel.

391. The elastomeric structure of claim 390, wherein the first microfabricated channel is disposed at an angle to the plurality of parallel second microfabricated channel.

392. The elastomeric structure of claim 391, wherein the angle is perpendicular.

393. A structure for regulating fluid or gas flow, comprising:
a planar substrate; and
an elastomeric block bonded onto the top of the planar substrate, wherein the elastomeric block comprises a first recess extending along its bottom surface, the first recess forming a first channel extending along between the planar substrate and the elastomeric block, and wherein the elastomeric block further comprises a plurality of parallel second channels passing therethrough, wherein the plurality of parallel second channels cross over, but do not intersect the first channel.

394. The structure of claim 393, wherein the first channel is disposed at an angle to the plurality of second microfabricated channels.

395. The structure of claim 394, wherein the angle is perpendicular.

396. A method as set forth in claim 322, wherein the control channel has both wide and narrow portions disposed along its length, with wide portions disposed over at least one of the flow channels, and narrow portions disposed over the remainder of the flow channels.

397. A method as set forth in claim 326, wherein the control channel has both wide and narrow portions disposed along its length, with the wide portions disposed over at least one of the flow channels, and the narrow portions disposed over the remainder of the flow channels, wherein pressurizing the control channel causes portions of the elastomeric structure separating the control channel from the flow channels to be deflected into only those flow channels

over which a wide portion of the control channel is disposed.

398. A method as set forth in claim 355 or a structure as set forth in claim 93, wherein the second channel has both wide and narrow portions disposed along its length, with wide portions disposed over at least one of the flow channels, and narrow portions disposed over the remainder of the flow channels.

399. A method as set forth in claim 326 or a structure as set forth in claim 96, wherein the second channel has both wide and narrow portions disposed along its length, with the wide portions disposed over at least one of the flow channels, and the narrow portions disposed over the remainder of the flow channels, wherein pressurizing the control channel causes portions of the elastomeric structure separating the control channel from the flow channels to be deflected into only those flow channels over which a wide portion of the control channel is disposed.

400. A method of fabricating an elastomeric structure, comprising:

forming a first elastomeric layer on top of a first micromachined mold, the first micromachined mold having a first raised protrusion which forms a first recess in the bottom surface of the first elastomeric layer;

forming a second elastomeric layer on top of a second micromachined mold, the second micromachined mold having a second raised protrusion which forms a second recess in the bottom surface of the second elastomeric layer;

bonding the bottom surface of the second elastomeric layer onto a top surface of the first elastomeric layer such that the second recess is enclosed between the first and second elastomeric layers; and

positioning the first elastomeric layer on top of a planar substrate such that the first recess is enclosed between the first elastomeric layer and the planar substrate.

401. The method of claim 400, whereby the two cross channels cross, but do not intersect.

402. The method of claim 400, whereby the dimensions are correct for the elastomeric structure to function as a valve.

403. A method of fabricating an elastomeric structure, comprising:
forming a first elastomeric layer on top of a substrate;
depositing a first photoresist layer on the top surface of the first elastomeric layer;
removing a portion of the first photoresist layer such that a first pattern of photoresist remains on the top surface of the first elastomeric layer;
forming a second elastomeric layer over the first elastomeric layer thereby encapsulating the first pattern of photoresist between the first and second elastomeric layers;
depositing a second photoresist layer on the top surface of the second elastomeric layer;
removing a portion of the second photoresist layer such that a second pattern of photoresist remains on the top surface of the second elastomeric layer;
forming a third elastomeric layer over the second elastomeric layer thereby encapsulating the second pattern of photoresist between the second and third elastomeric layers; and
removing the first and second patterns of photoresist, thereby forming respective first and second layers of recesses passing through the elastomeric structure.

404. The method of claim 402, whereby the two cross channels cross, but do not intersect.

405. The method of claim 403, whereby the dimensions are correct for the elastomeric structure to function as a valve.

406. An elastomeric structure, formed with multiple microfabricated recesses, wherein the recesses may cross over one another but do not intersect.

407. The elastomeric structure of claim 406, whereby the two cross channels cross, but do not intersect.

408. The elastomeric structure of claim 406, whereby the dimensions are correct for the elastomeric structure to function as a valve.

409. A microfabricated structure, comprising:
a planar substrate; and
an elastomeric block disposed on top of the planar substrate, wherein the elastomeric block is formed with multiple microfabricated recesses, including recesses on the bottom of the block which may be sealed by the planar substrate, where the recesses may cross one another but do not intersect.

410. The microfabricated structure of claim 409, whereby the two cross channels cross, but do not intersect.

411. The microfabricated structure of claim 409, whereby the dimensions are correct for the elastomeric structure to function as a valve.

412. A method for bonding two layers of cured elastomer, comprising:
forming a first cured layer of elastomer;
forming a second cured layer of elastomer;
bringing the two layers into contact; and
bonding the two layers together.

413. The method of claim 412, where the two layers are chemically different.

414. The method of claim 413, where the elastomer is formed from a mixture of two or more components, and the layers differ in the ratio of the components.

415. The method of claim 414, where the elastomer is a two-part silicone rubber.

416. The method of claim 412, where the elastomer is G.E. RTV 615, and the two layers are mixed in the ratios 3A:1B (excess Si-H groups) and 30A:1B (excess vinyl groups).

417. The method of claim 414, where the elastomer is a two-part polyurethane.

418. The method of claim 417, where the elastomer is Ebecryl 270 or Irr 245 from UCB Chemicals.

419. The method of claim 417, where the elastomer is any of the materials listed in claims 13, 14 or 15.

420. The method of claim 412, where the two layers are of the same composition.

421. The method of claim 417, where the layers are incompletely cured.

422. The method of claim 417, where the layers contain a crosslinking agent which may be activated after the layers are cured.

423. The method of claim 417, where the layers may be bonded by heating.

424. The method of claim 412, where the two layers are bonded using a thin layer of adhesive.

425. A method for encapsulating a patternable resist layer, comprising:
forming a first cured layer of elastomer;
coating the first cured layer with a patternable resist layer;
patterning the resist layer;
adding a second layer of uncured elastomer;
curing the second layer of elastomer to form a monolithic elastomer block and encapsulate the patterned resist; and
removing the patterned resist from the elastomer.

426. The method of claim 425, whereby multiple layers of resist are encapsulated in the elastomer.

427. The method of claim 425, whereby the composition of each layer of elastomer is the same.

428. The method of claim 425, whereby the composition of different layers of elastomer differs.

429. The method of claim 425, whereby the composition of each layer comprises any of the materials listed in claim 304.

430. A method of actuating the elastomeric structure of claim 292, comprising:

pressurizing the second channel such that a portion of the elastomeric structure separating the second channel from the first channel is deflected into the first channel.

431. The method of claim 319, whereby the control channel is pressurized such that a portion of the elastomeric structure separating the control channel from the flow channel is deflected into the flow channel so as to block fluid flow through the flow channel.

432. A method of actuating the elastomeric structure of claim 292, comprising:

further providing electrodes on the substrate and the membrane separating the two channels; and

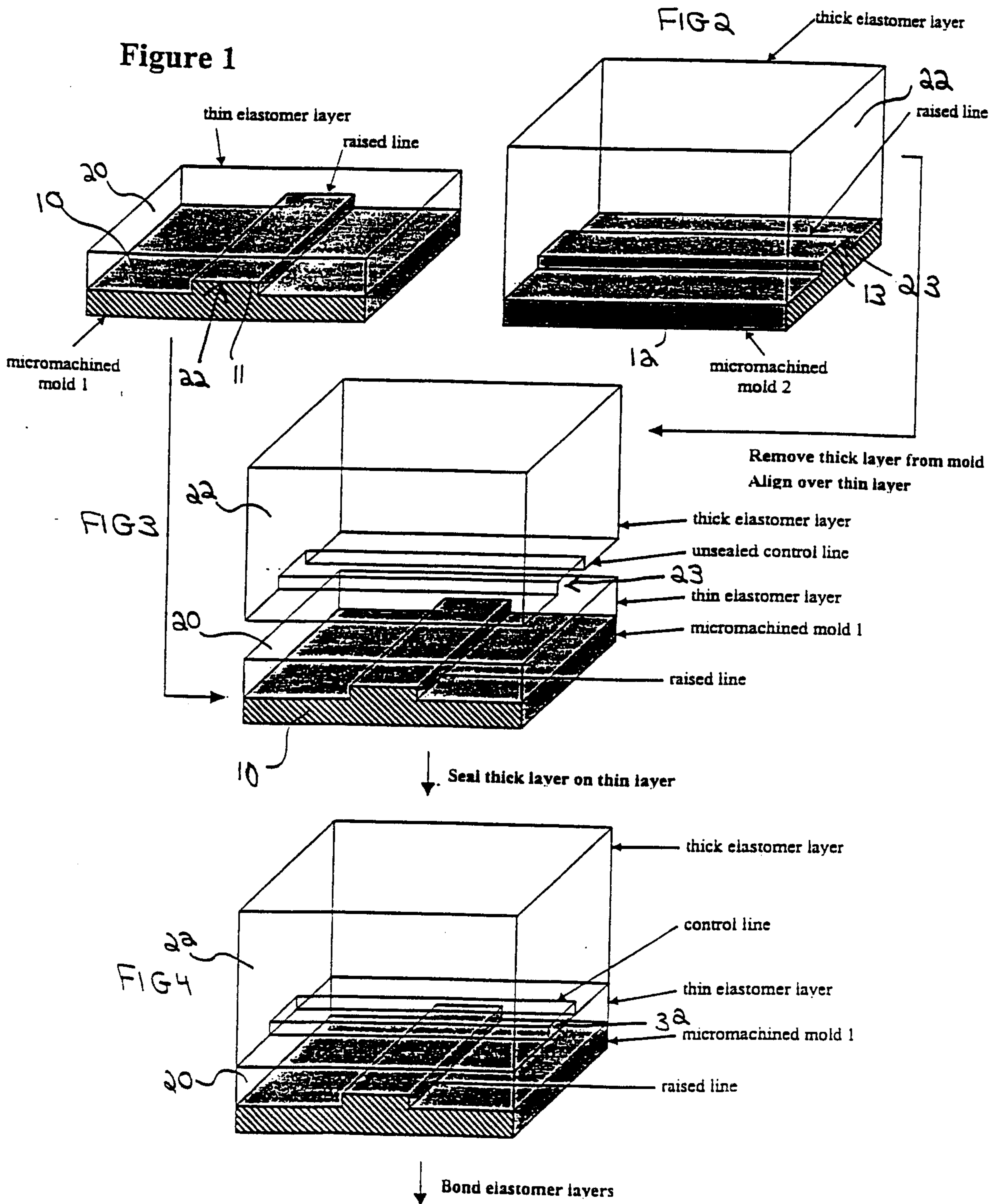
applying a voltage between the two electrodes, thus generating an attractive force between them.

433. A method of actuation the elastomeric structure of claim 292, comprising:

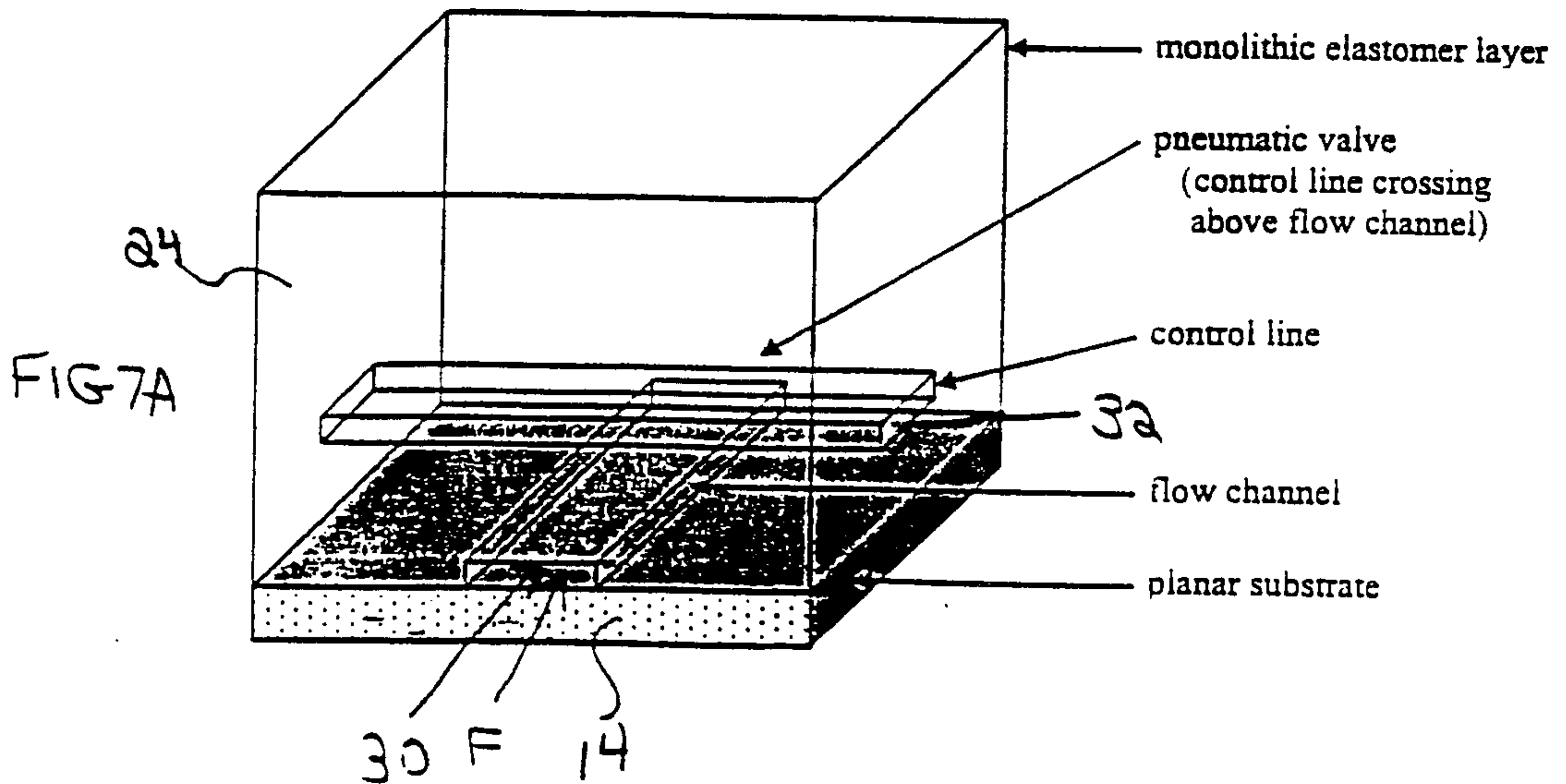
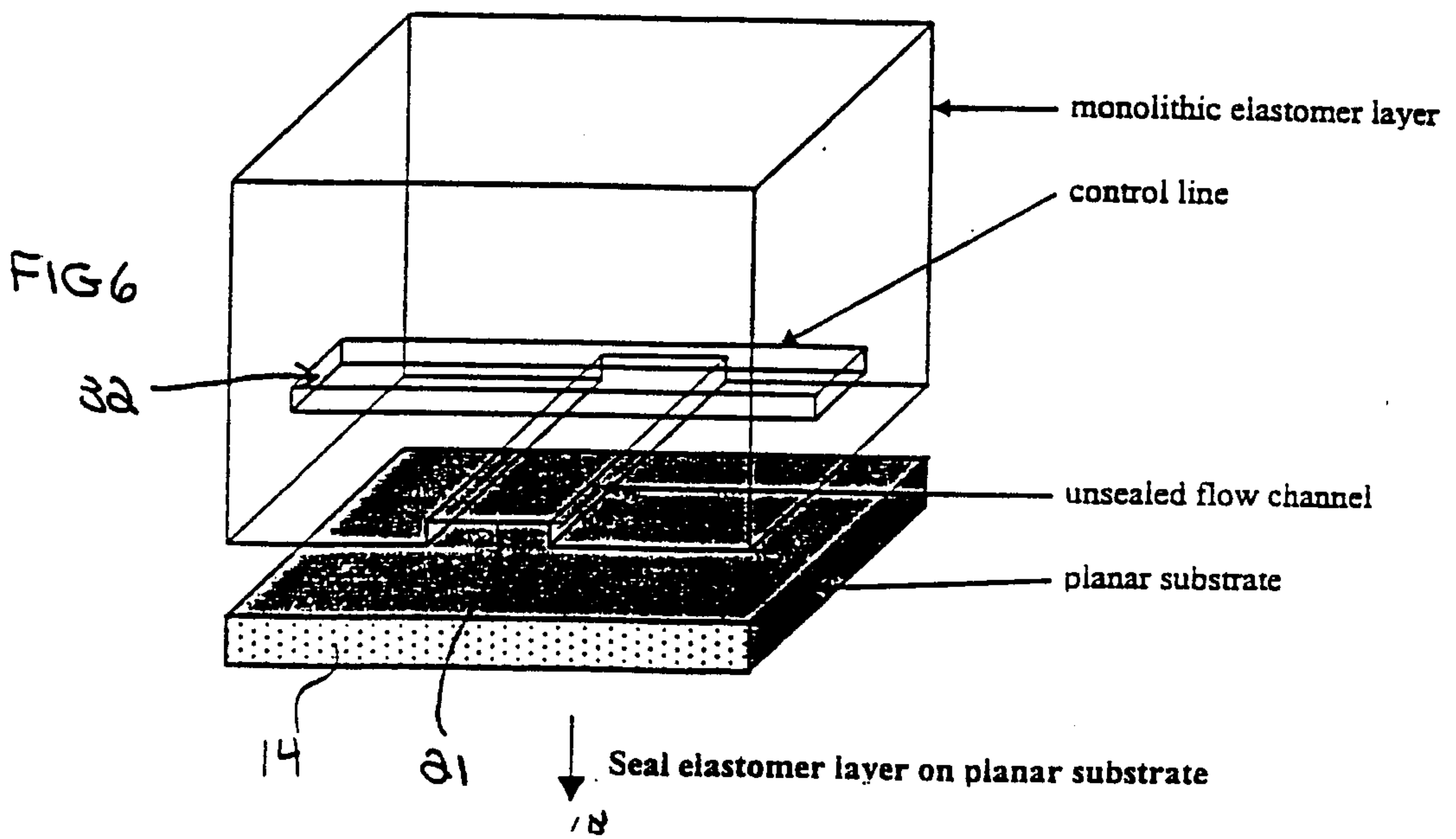
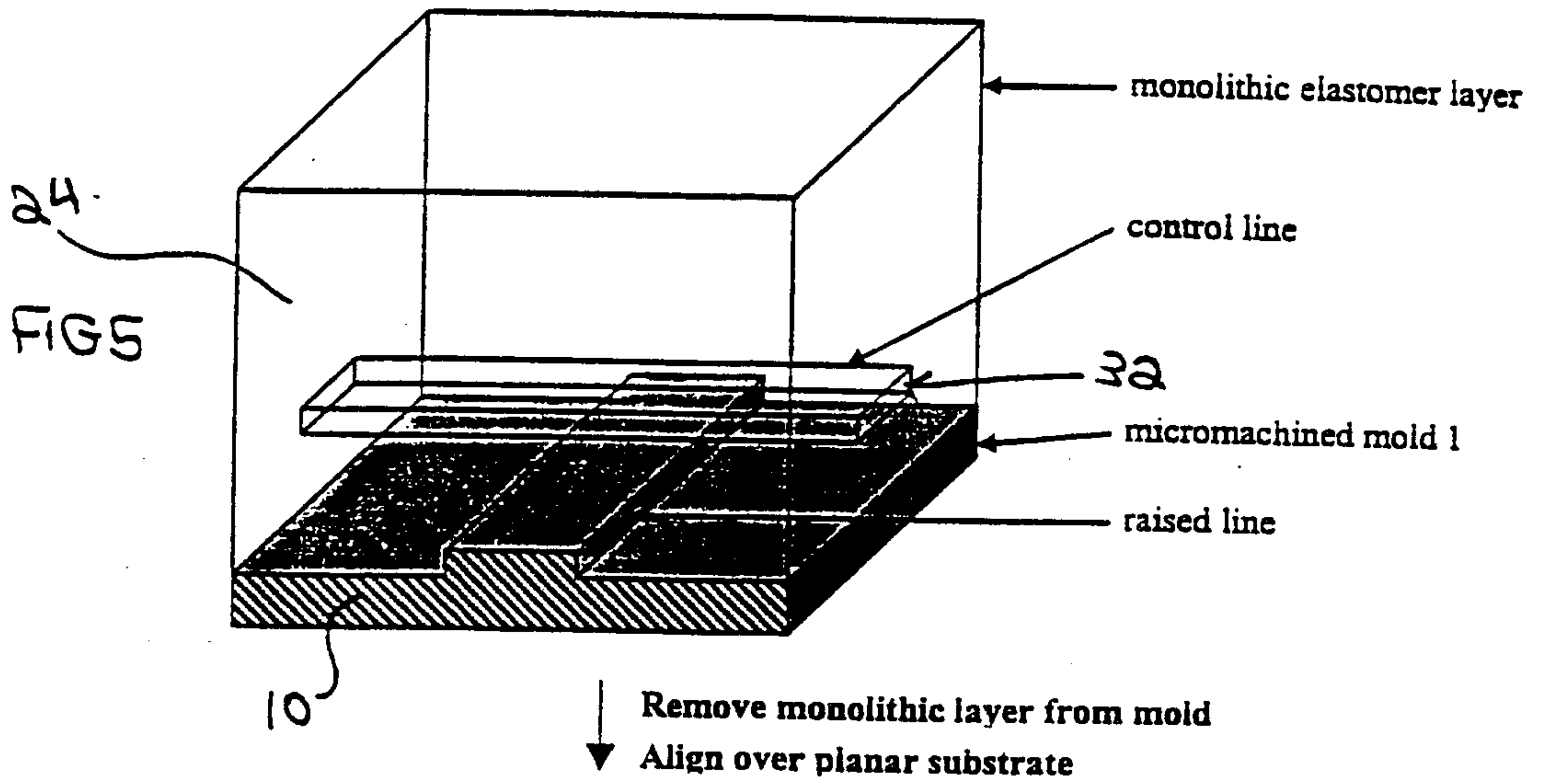
constructing the membrane separating the two channels of magnetically active elastomer; and

applying a magnetic field to generate an attractive force towards the substrate.

1/39



2/39



3/39

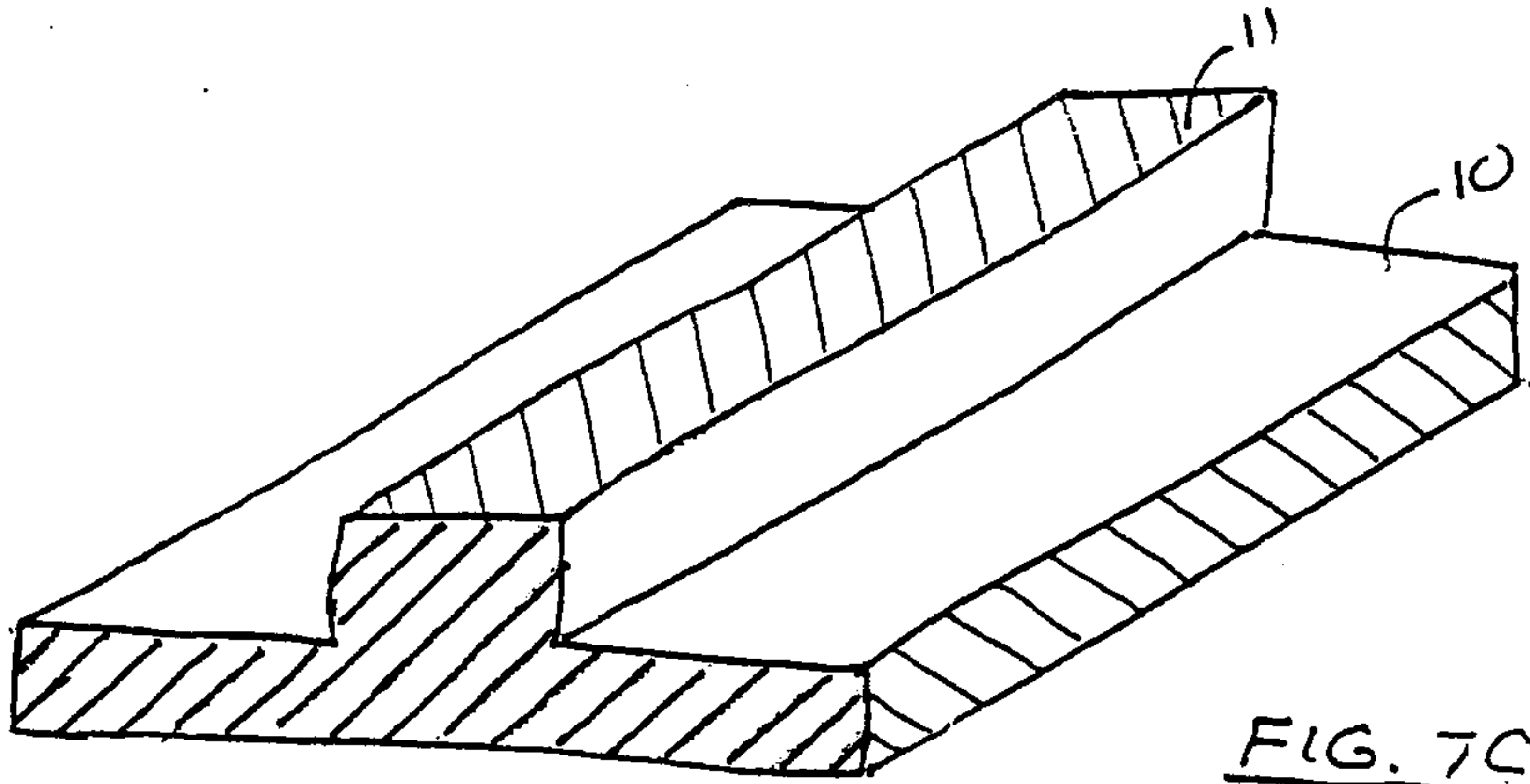


FIG. 7C

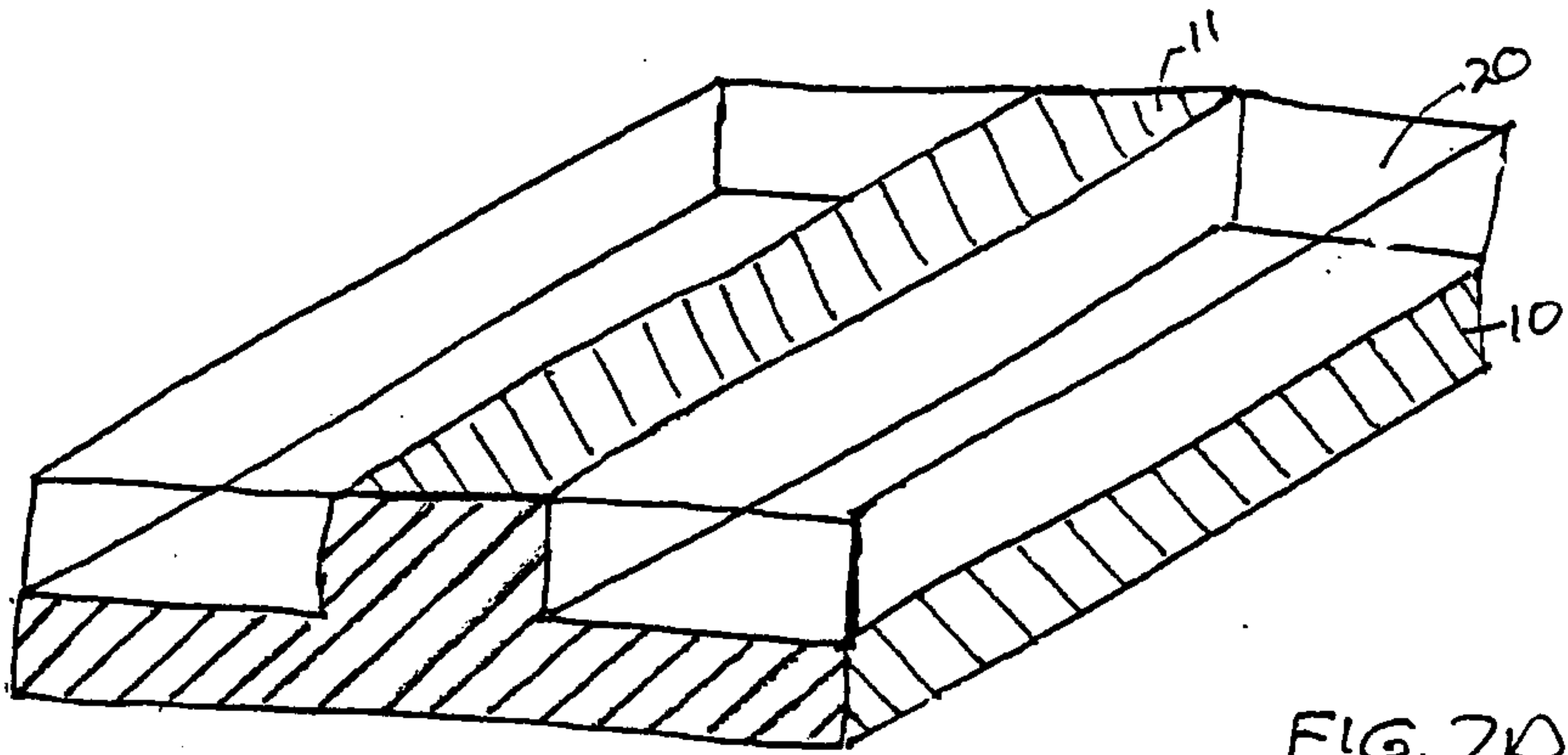


FIG. 7D

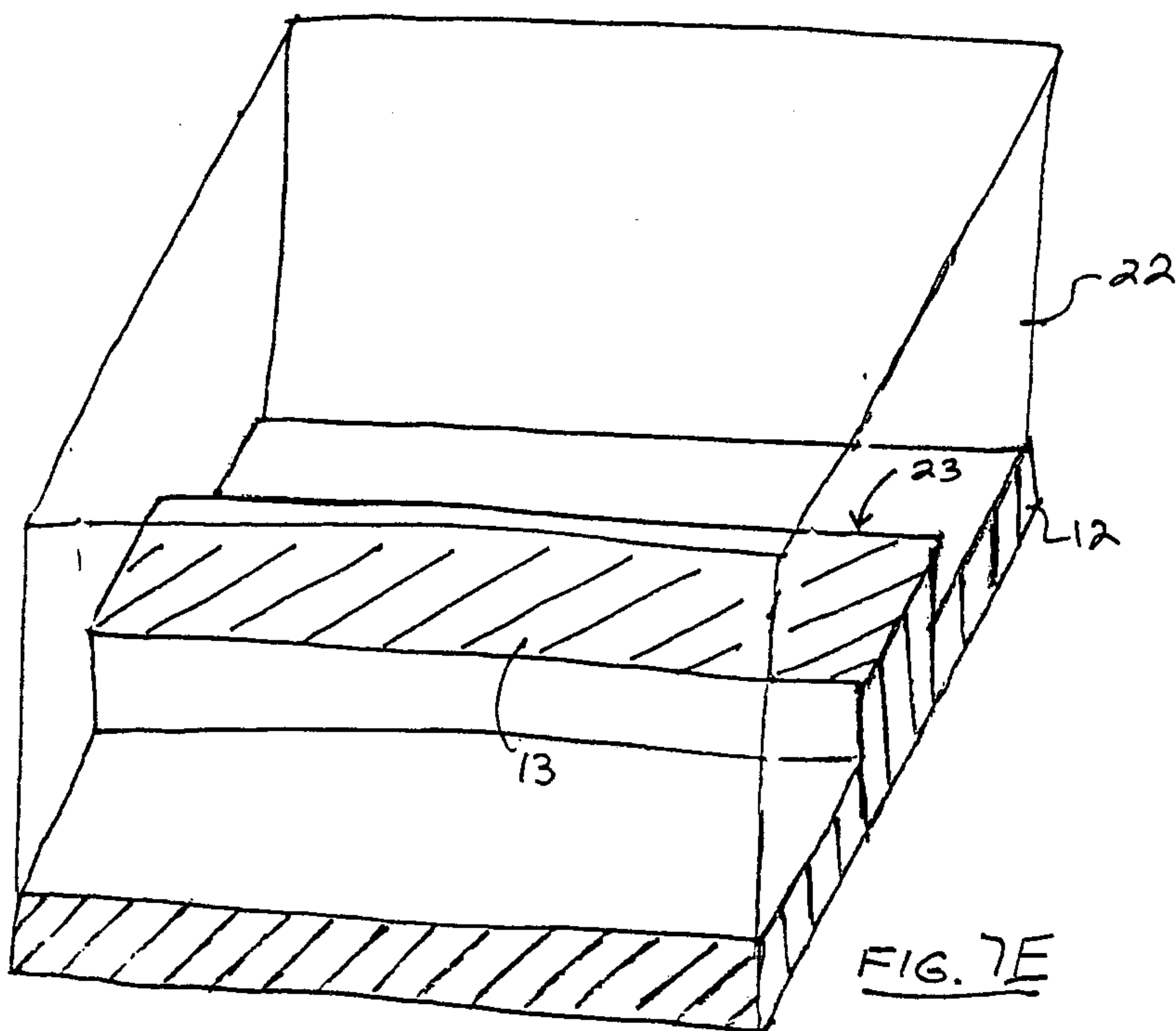


FIG. 7E

4/39

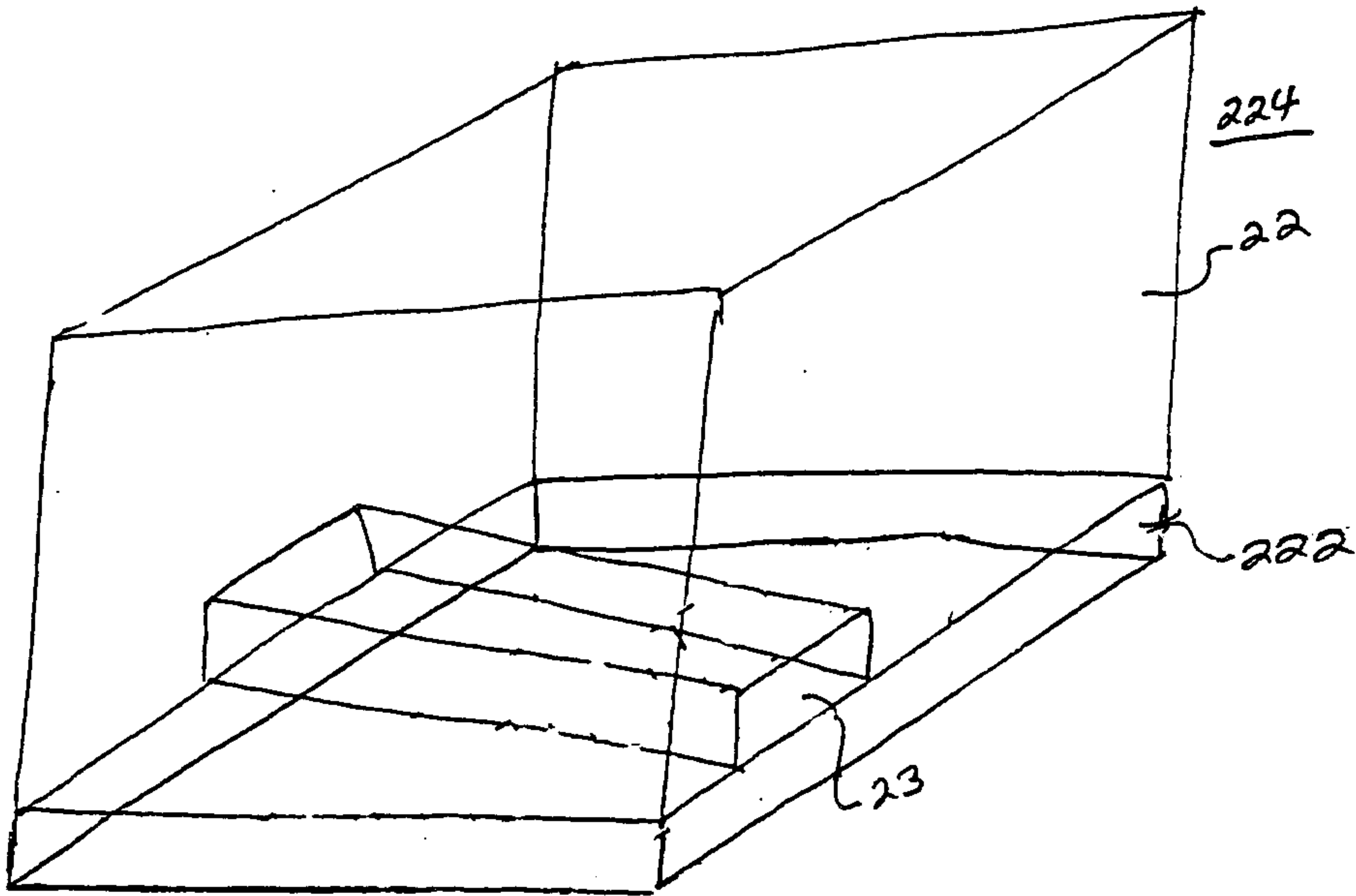


FIG. 7E

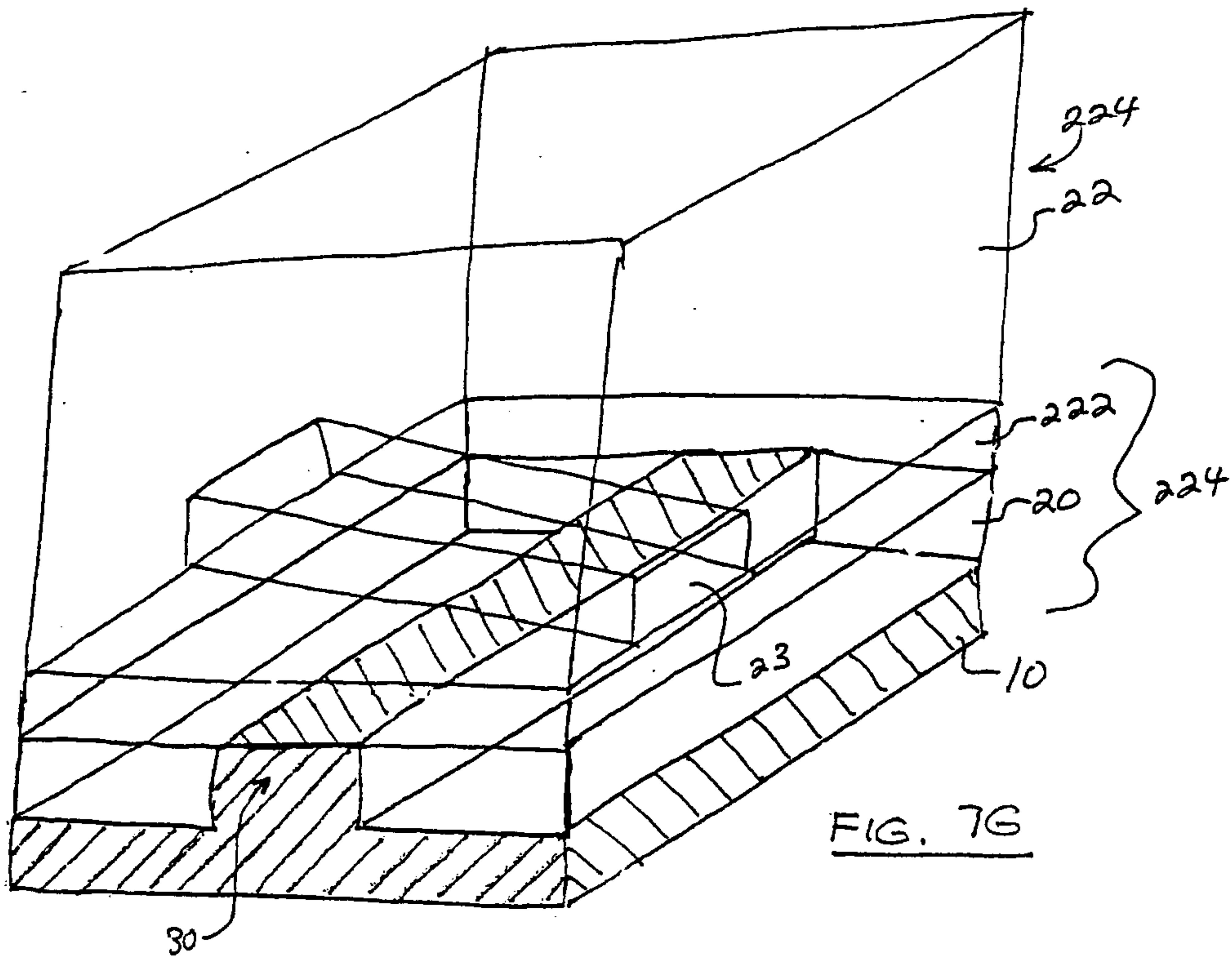


FIG. 7G

5/39

FIG 7B

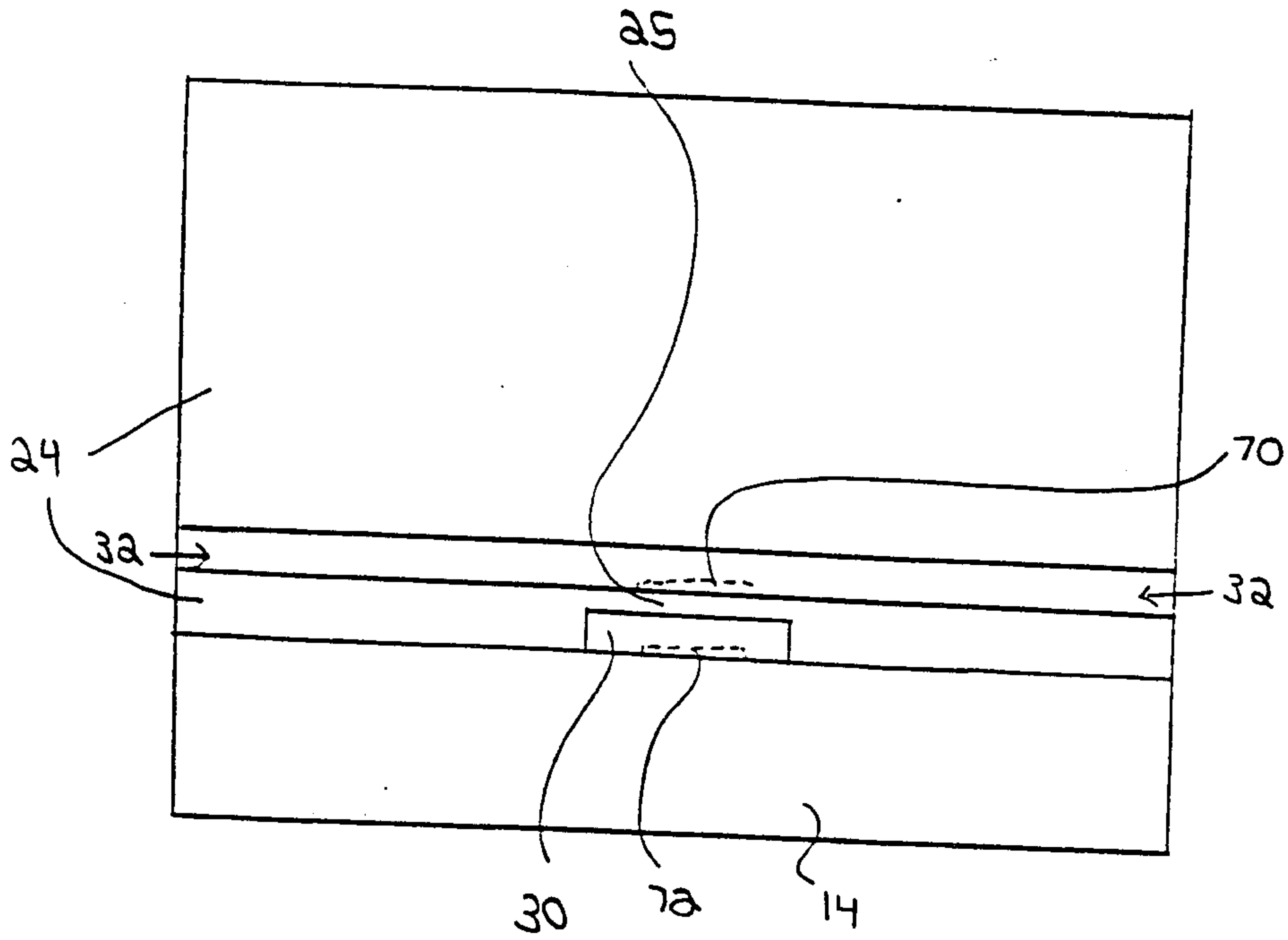
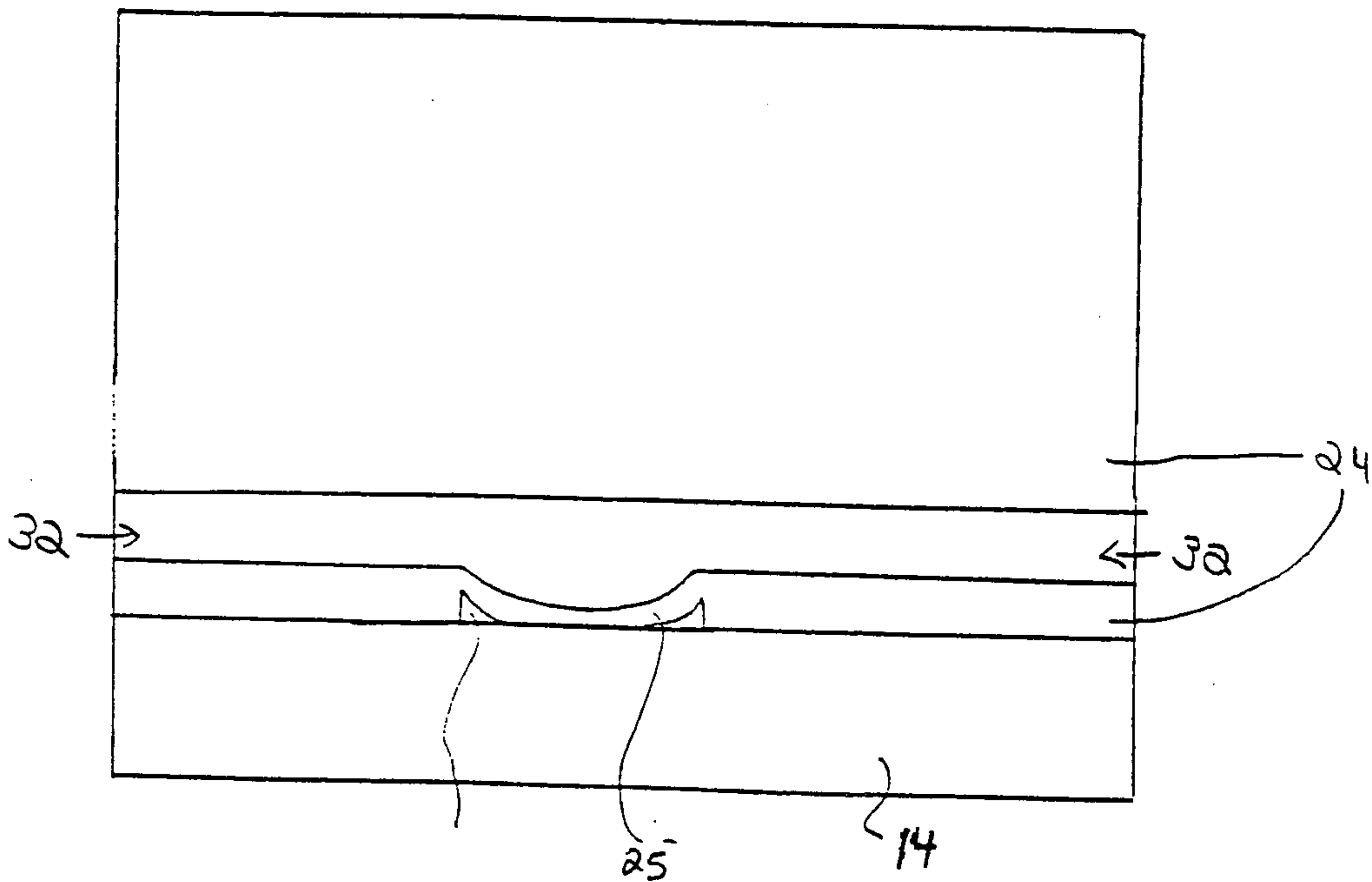
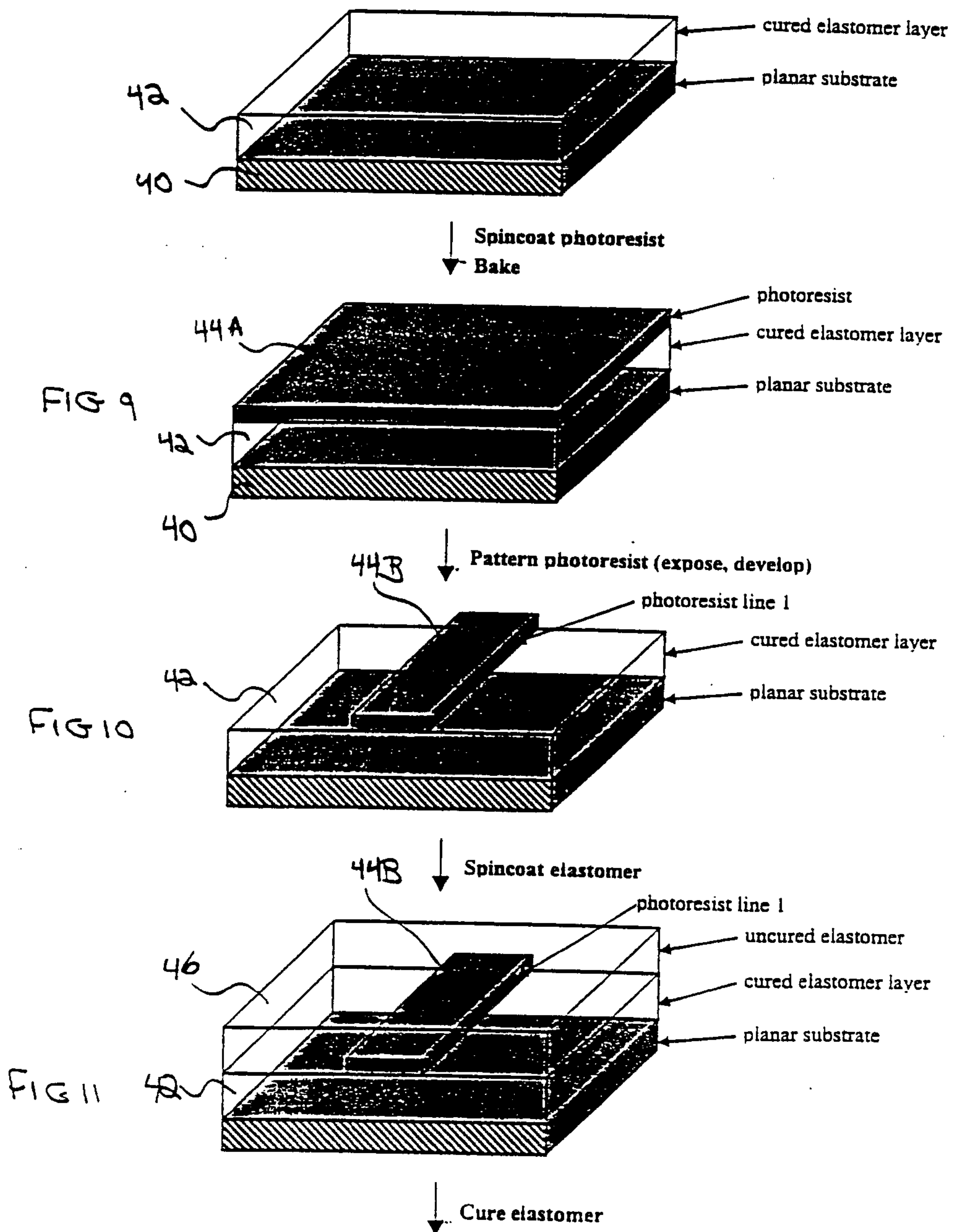


FIG 7H

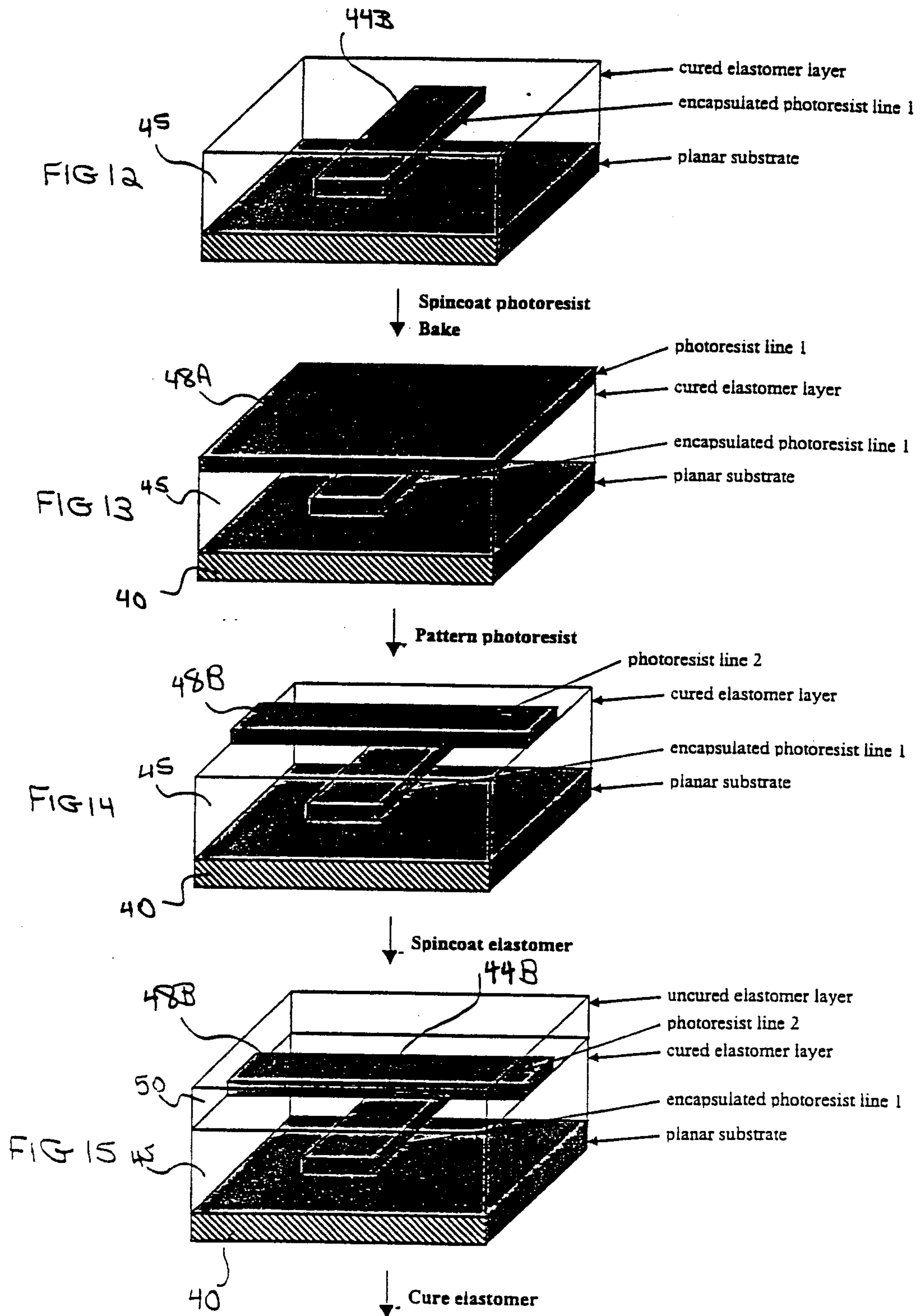


6/39

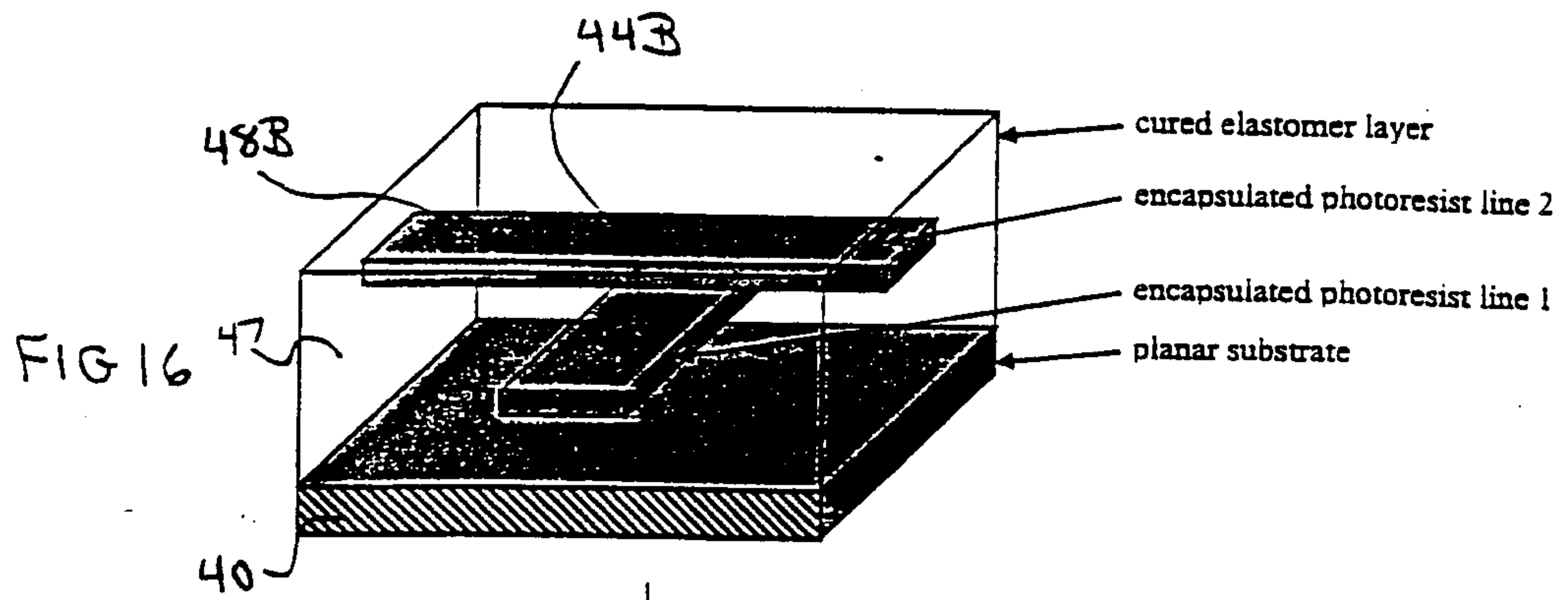
Figure 8



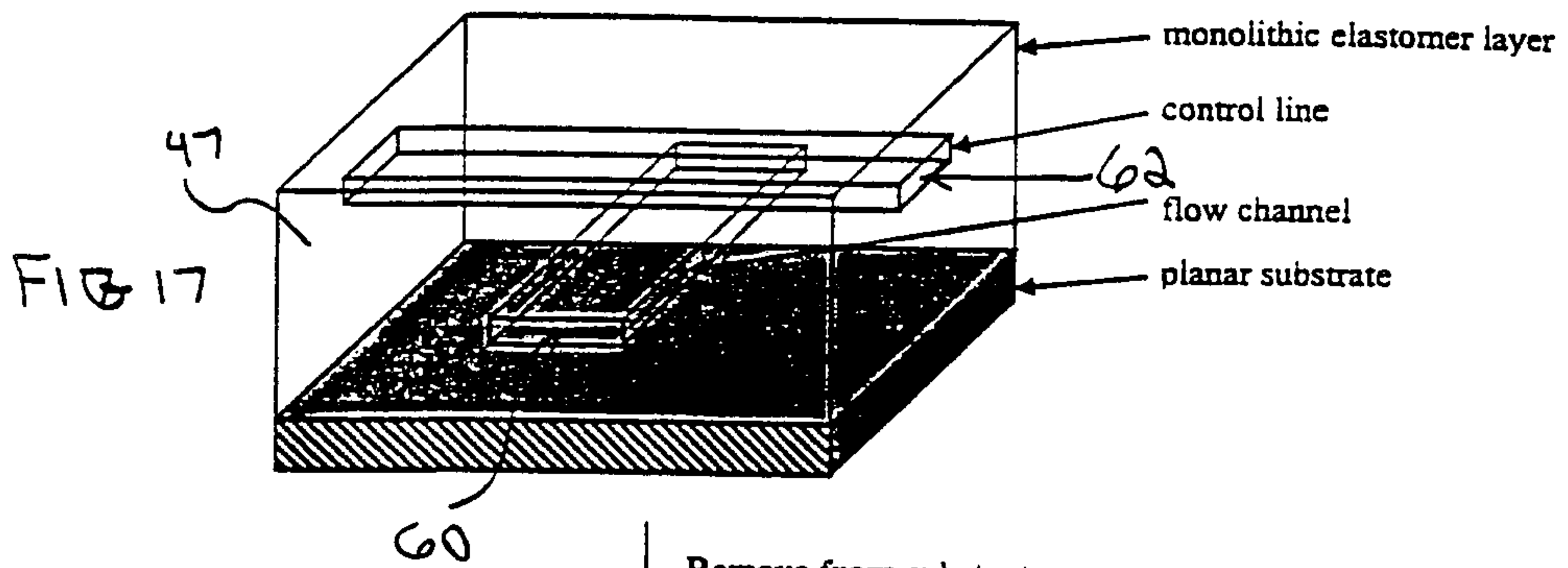
7/39



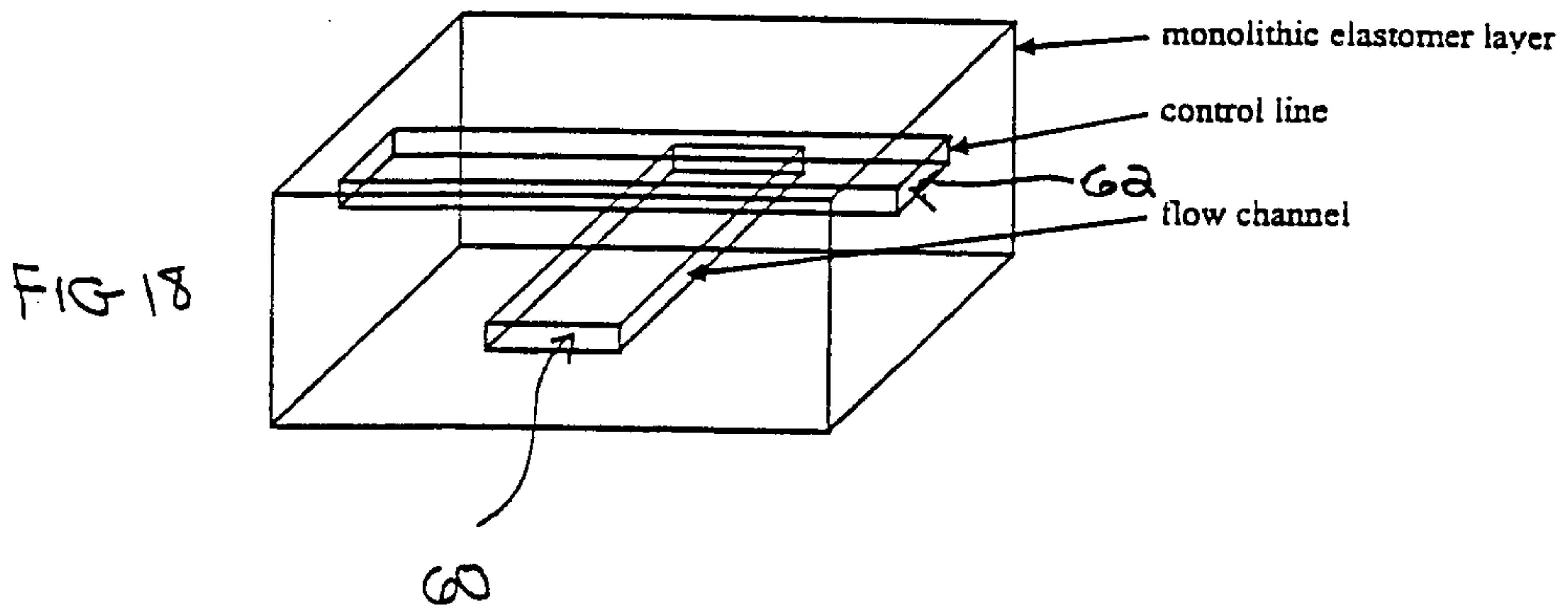
8/39



↓ Dissolve photoresist



↓ Remove from substrate



9/39

FIG 19

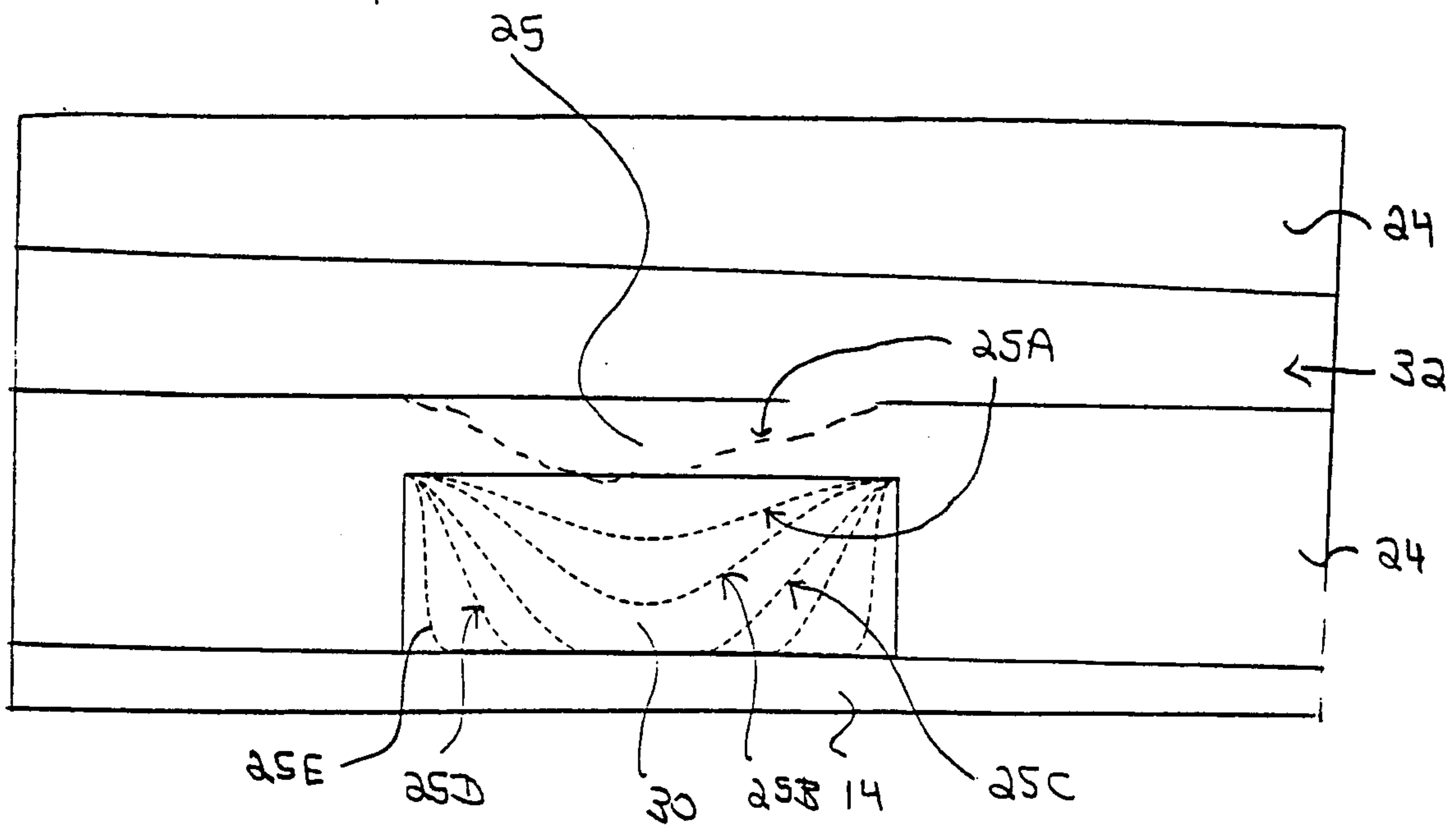
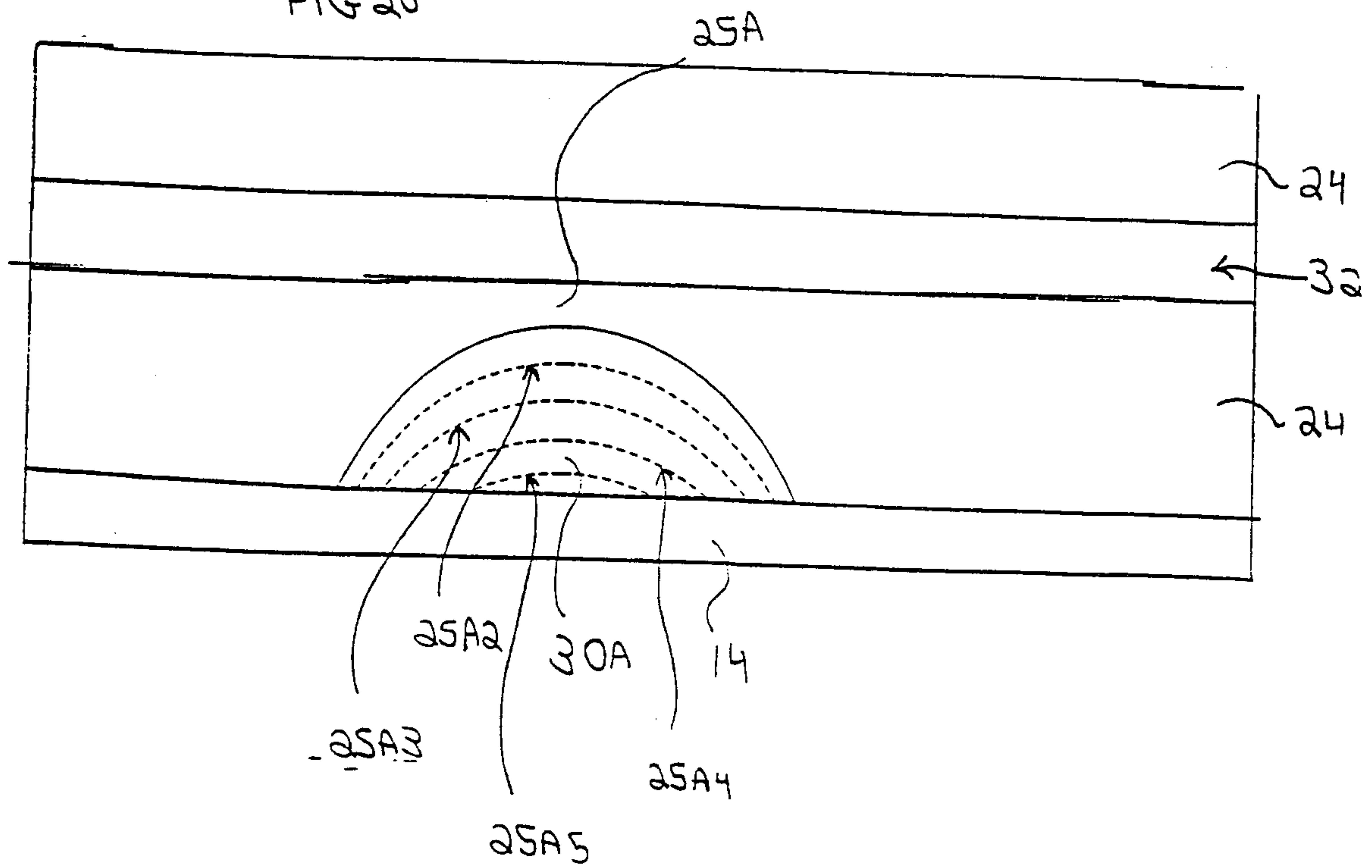
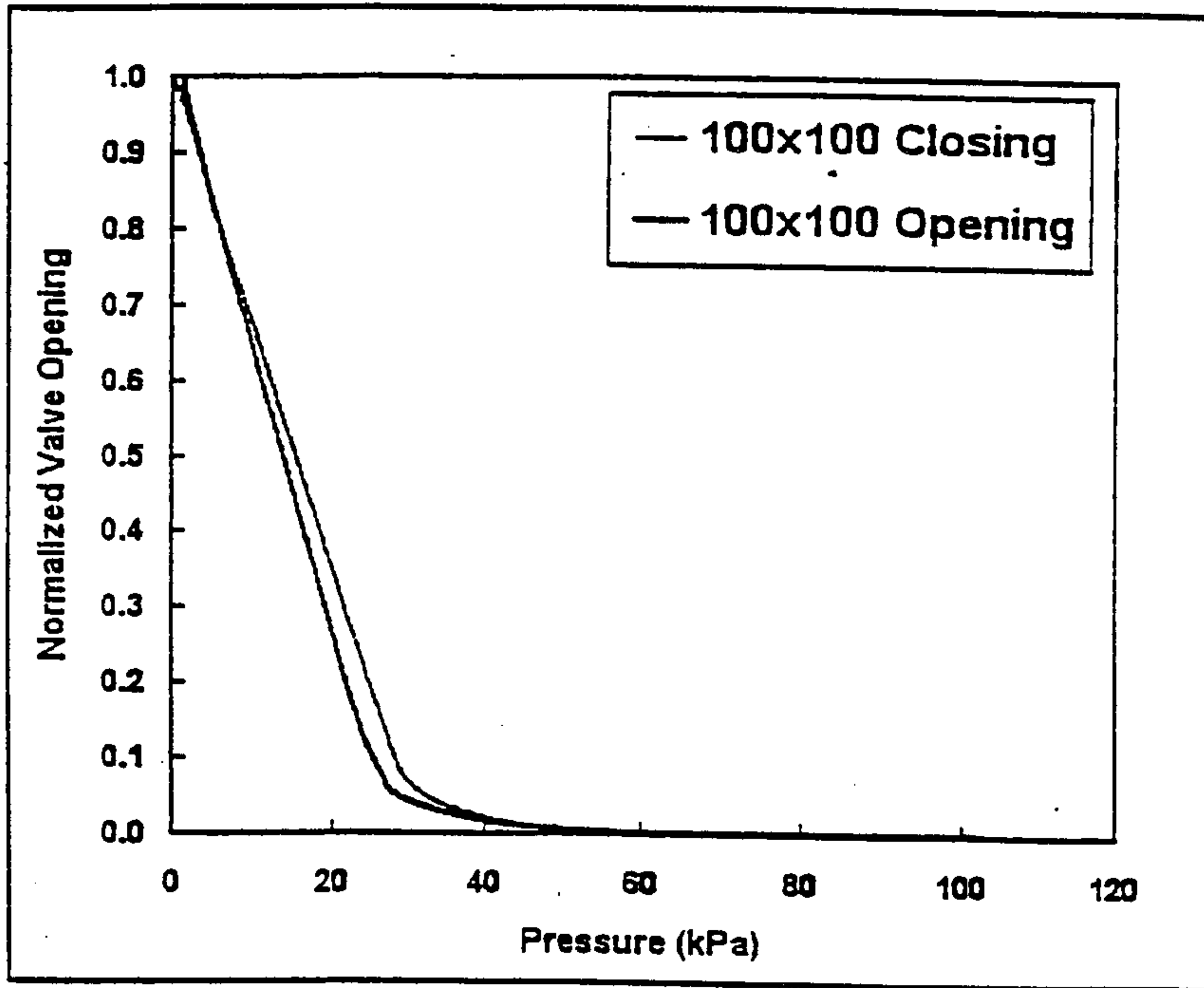


FIG 20

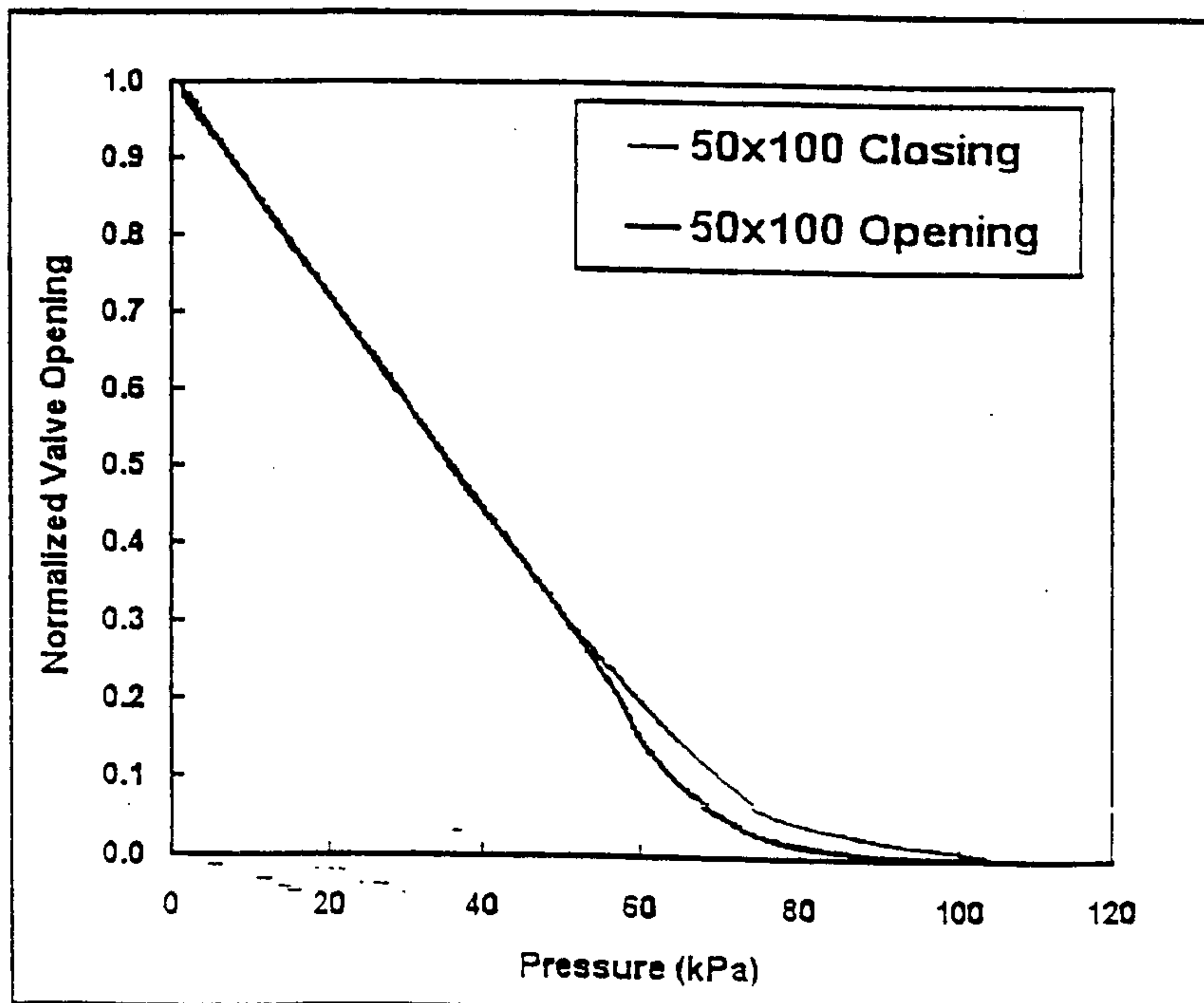


10/39

FIG 21



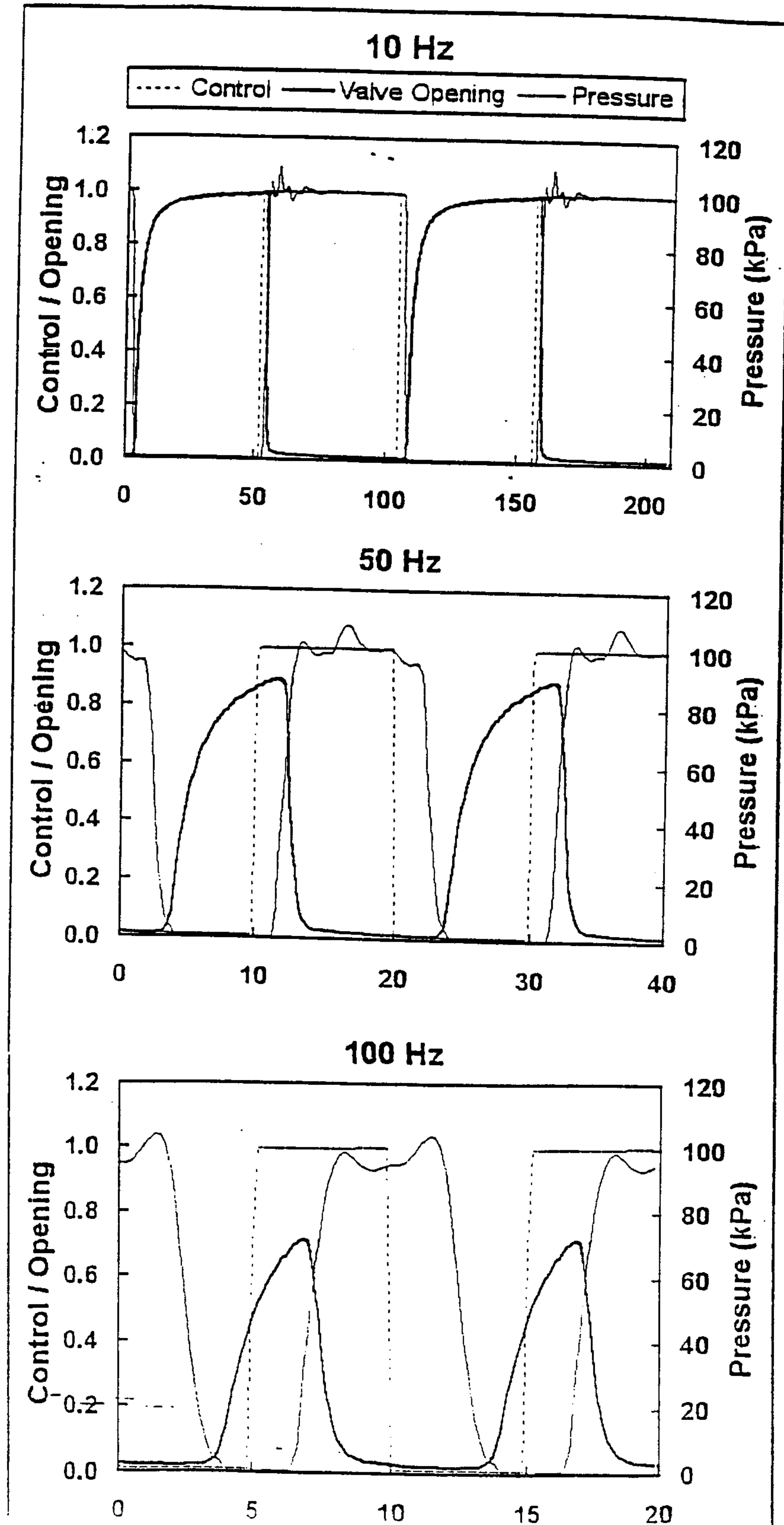
(a).



(b).

11/39

FIG 22



12/39

FIG 23A

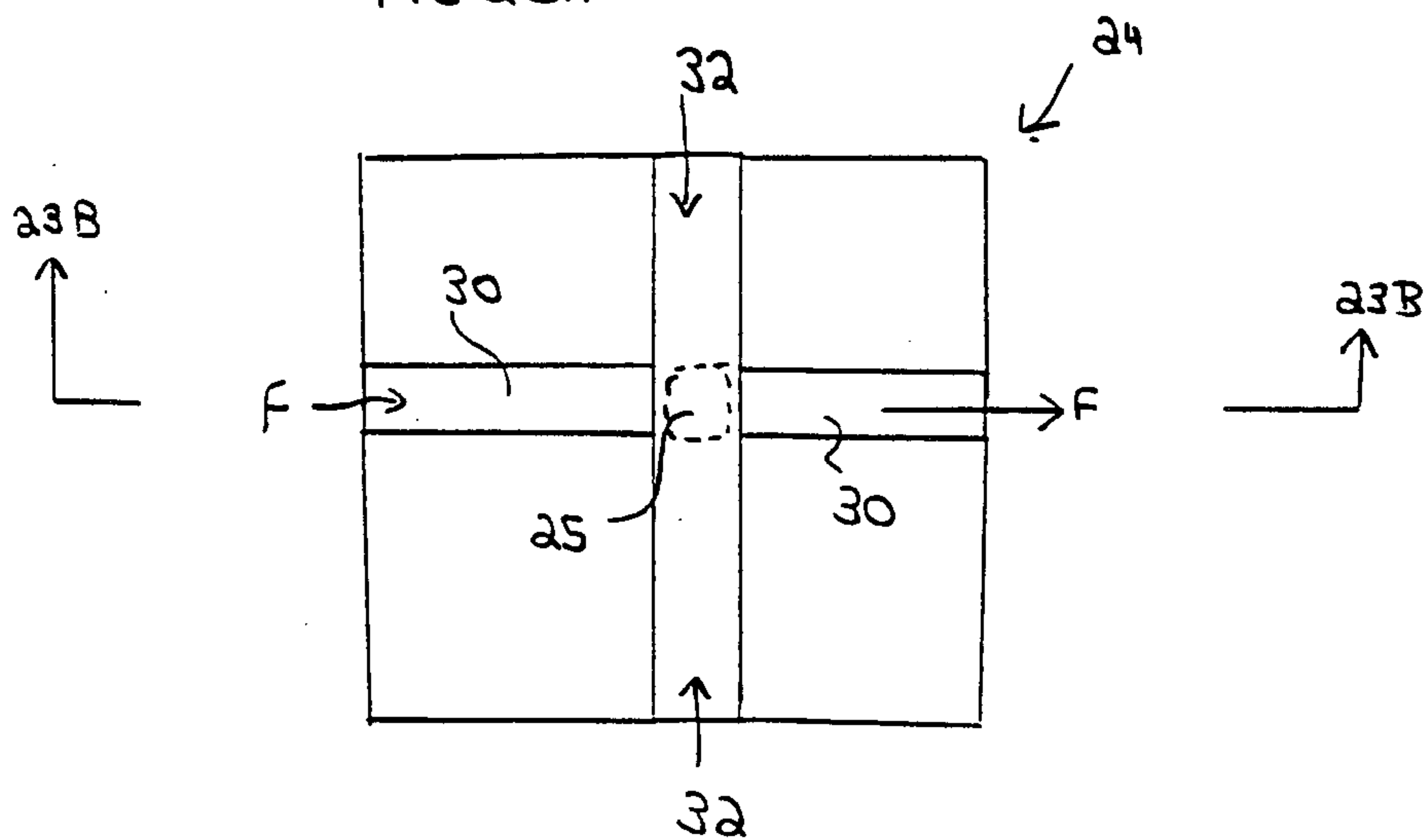
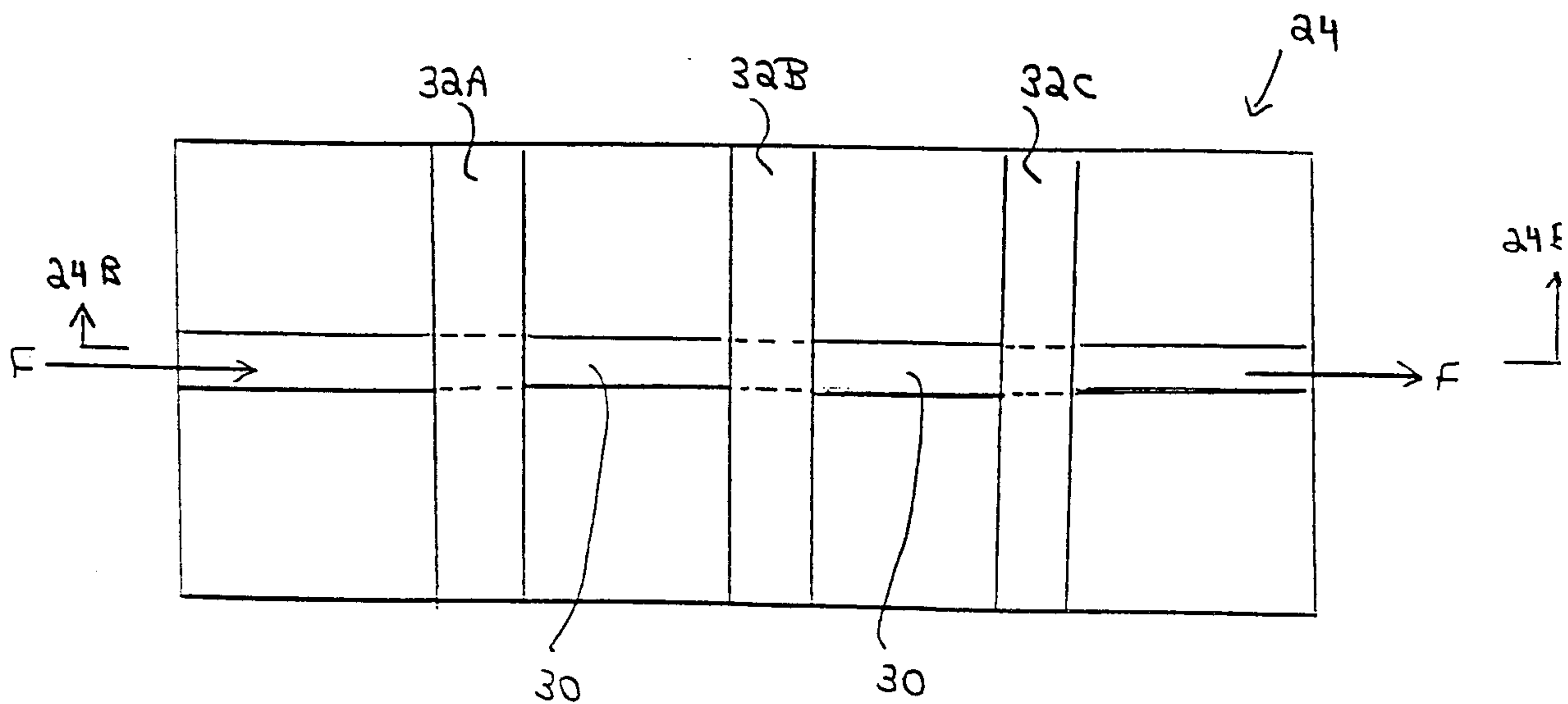


FIG 24A



13/39

FIG 23 B

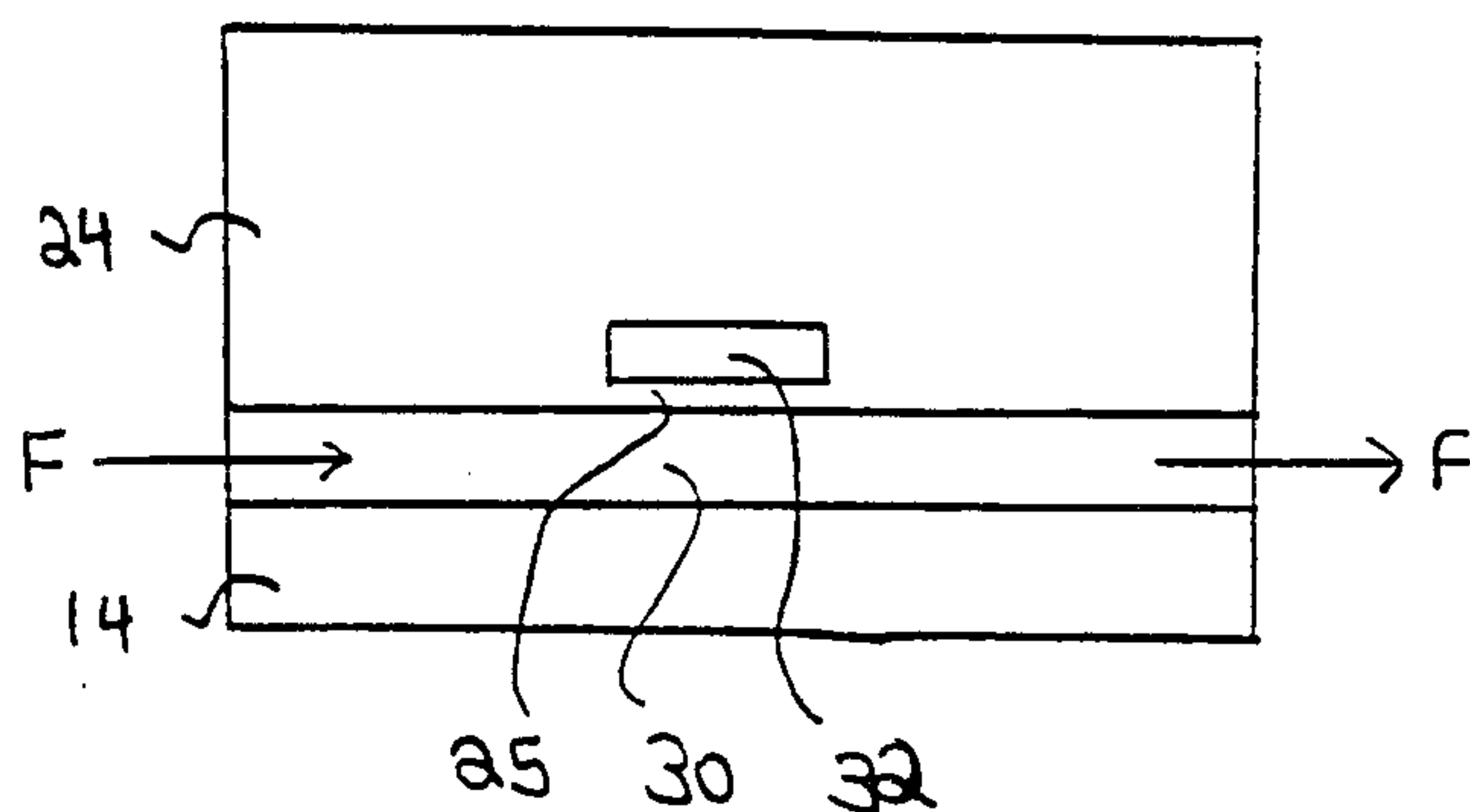
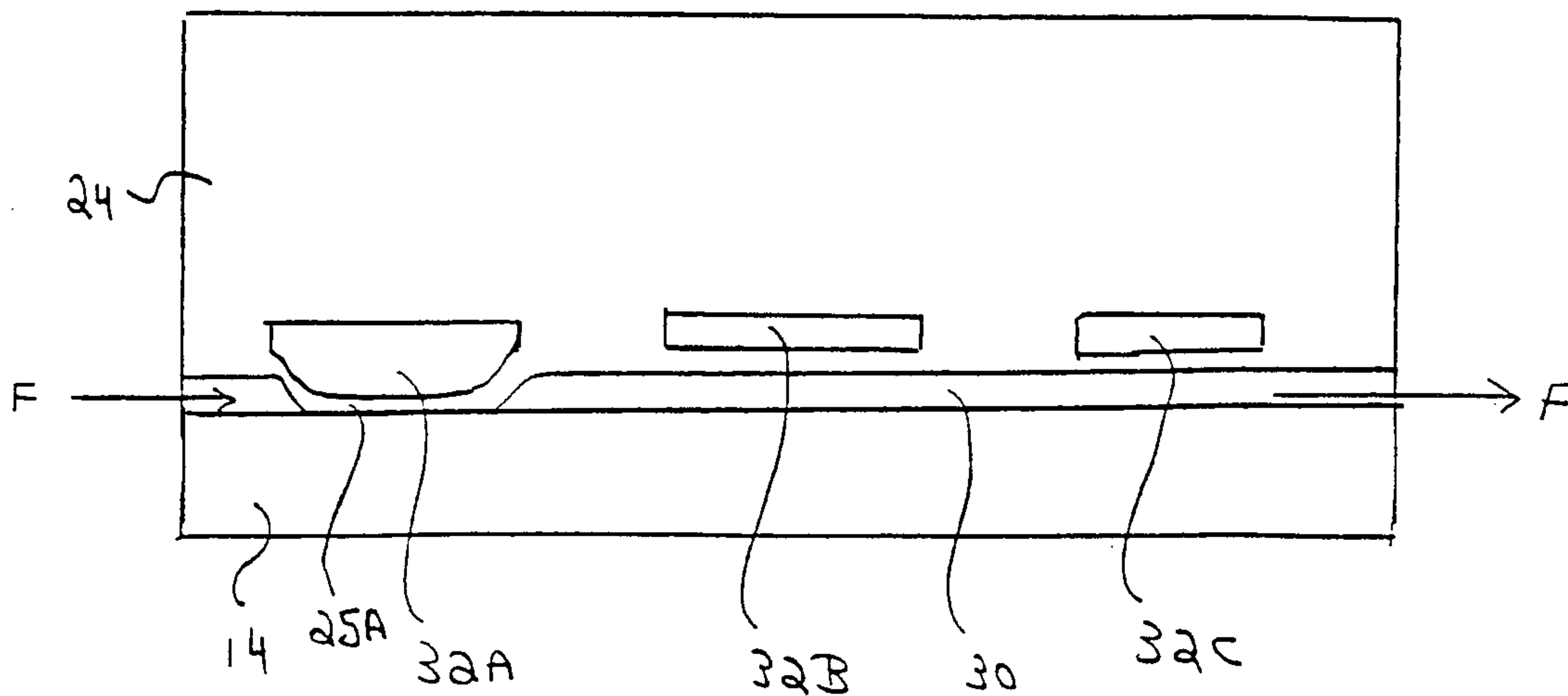
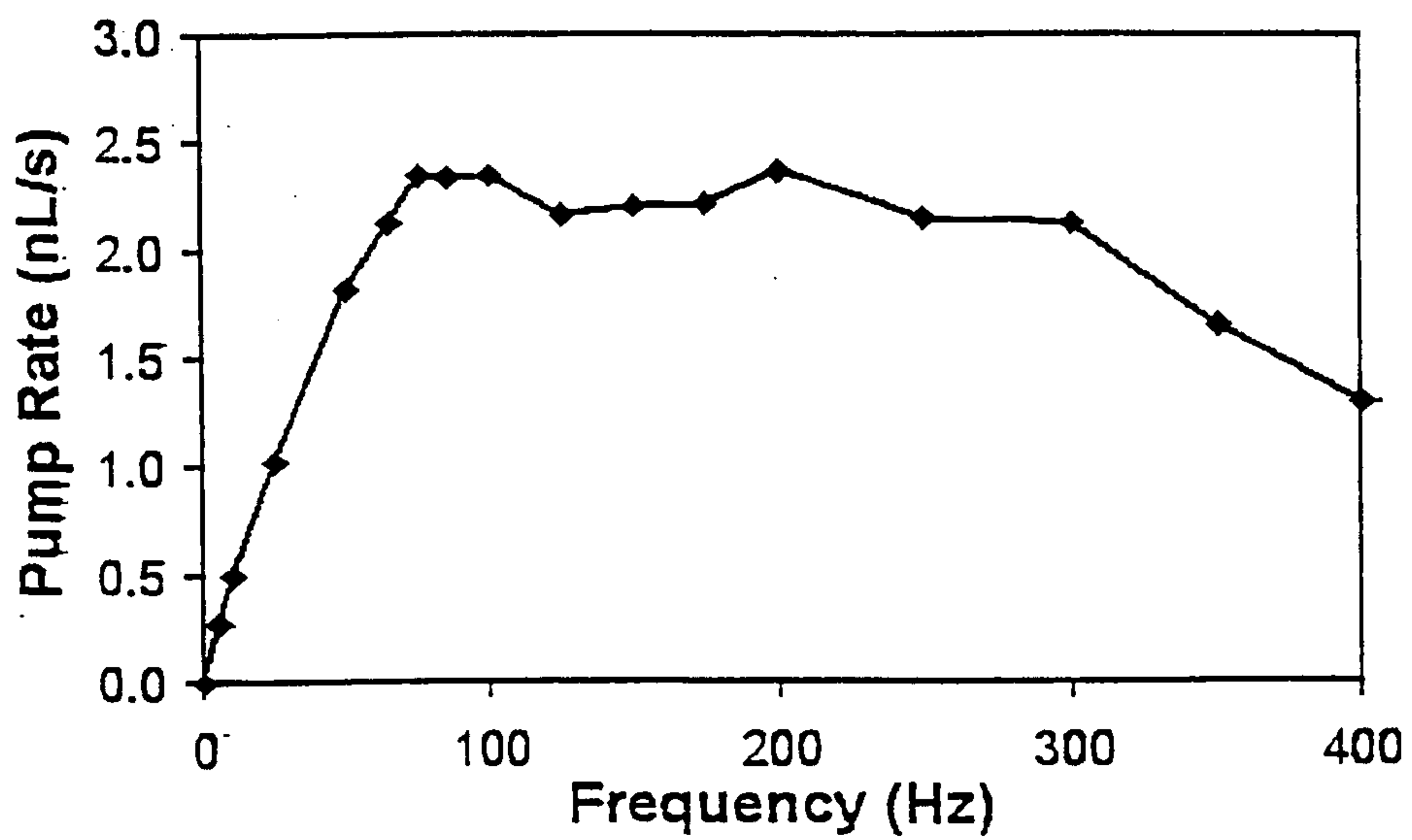


FIG 24 B



14/39

FIG 25



15/39

FIG 26A

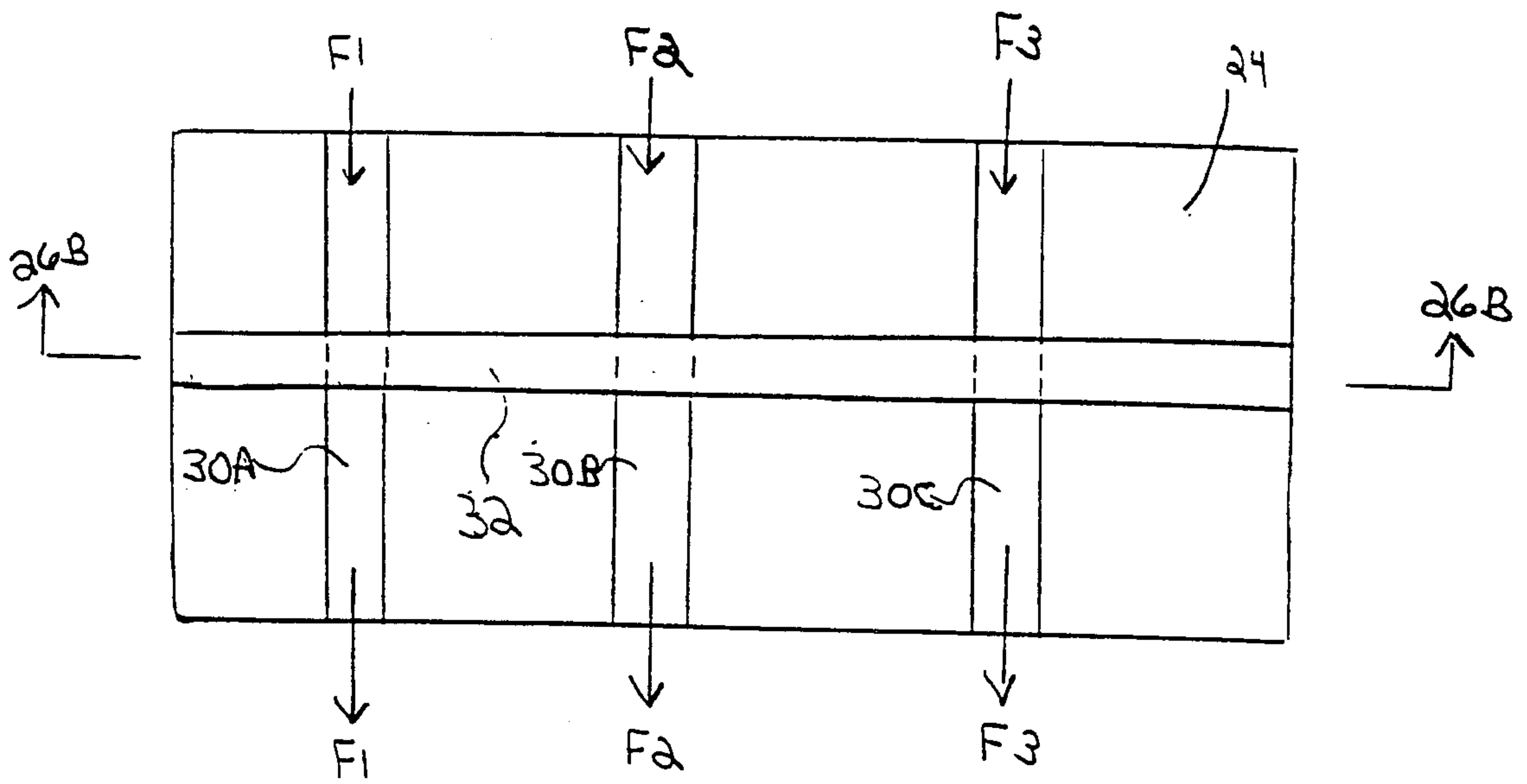
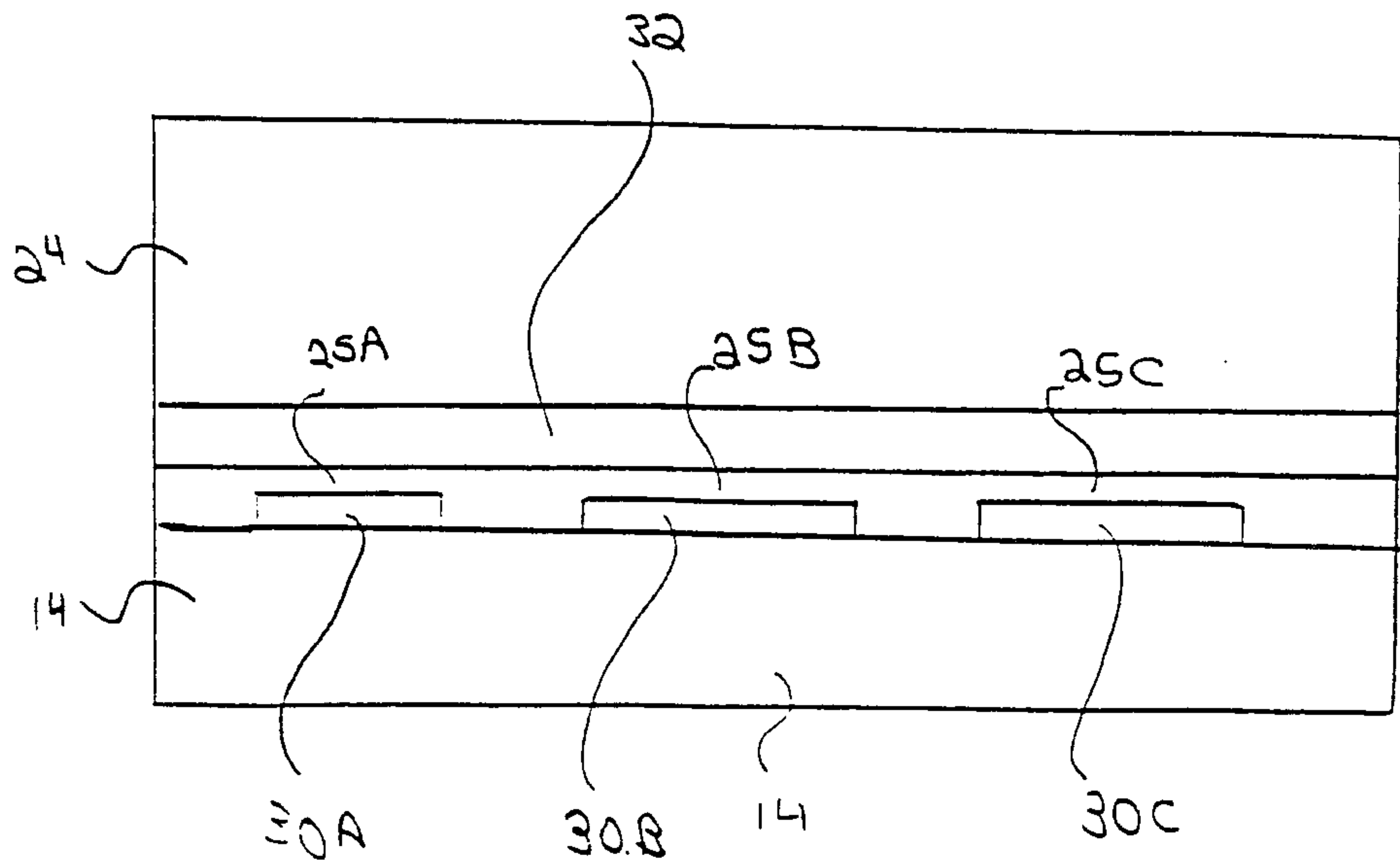
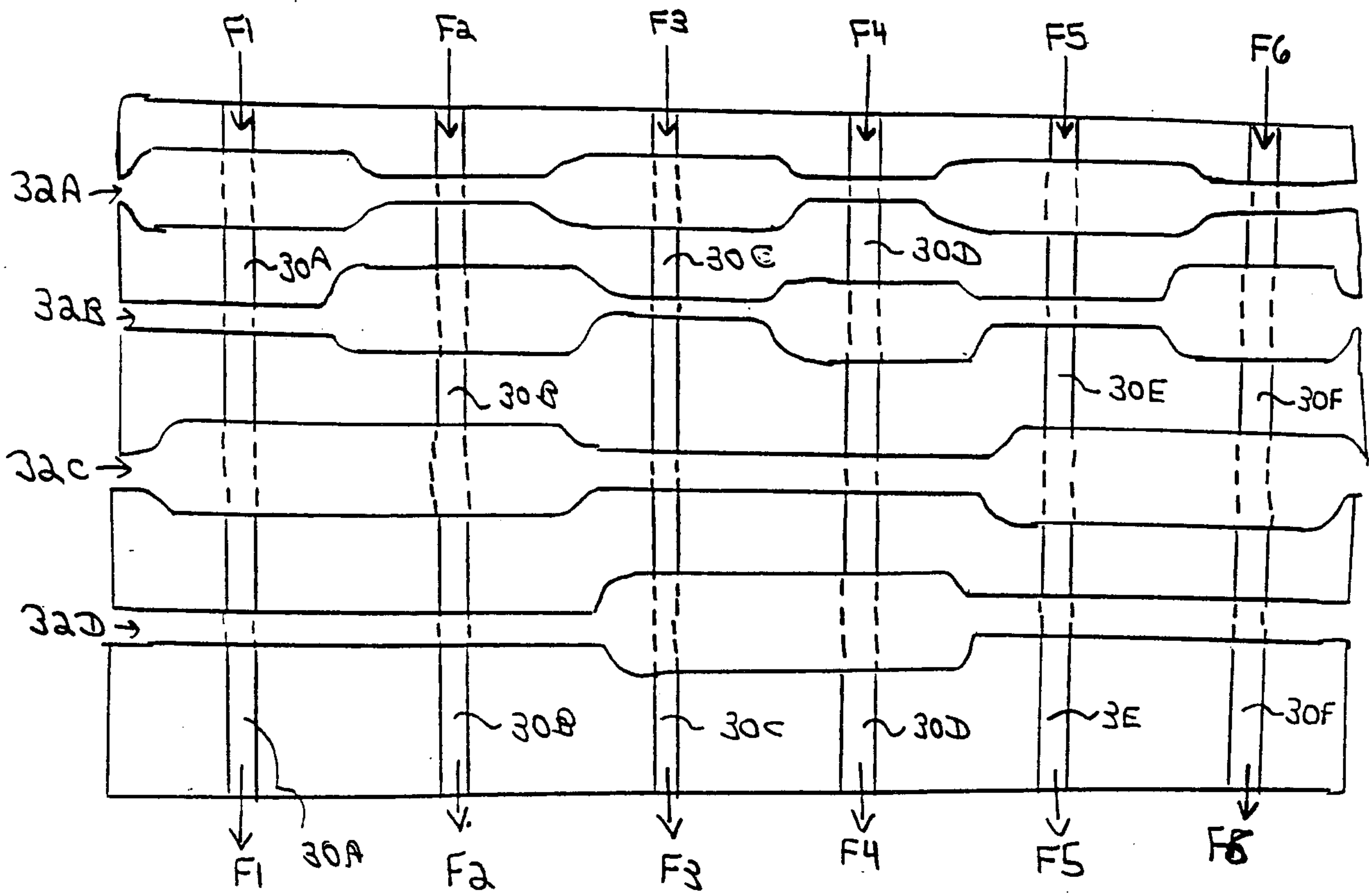


FIG 26B



16/39

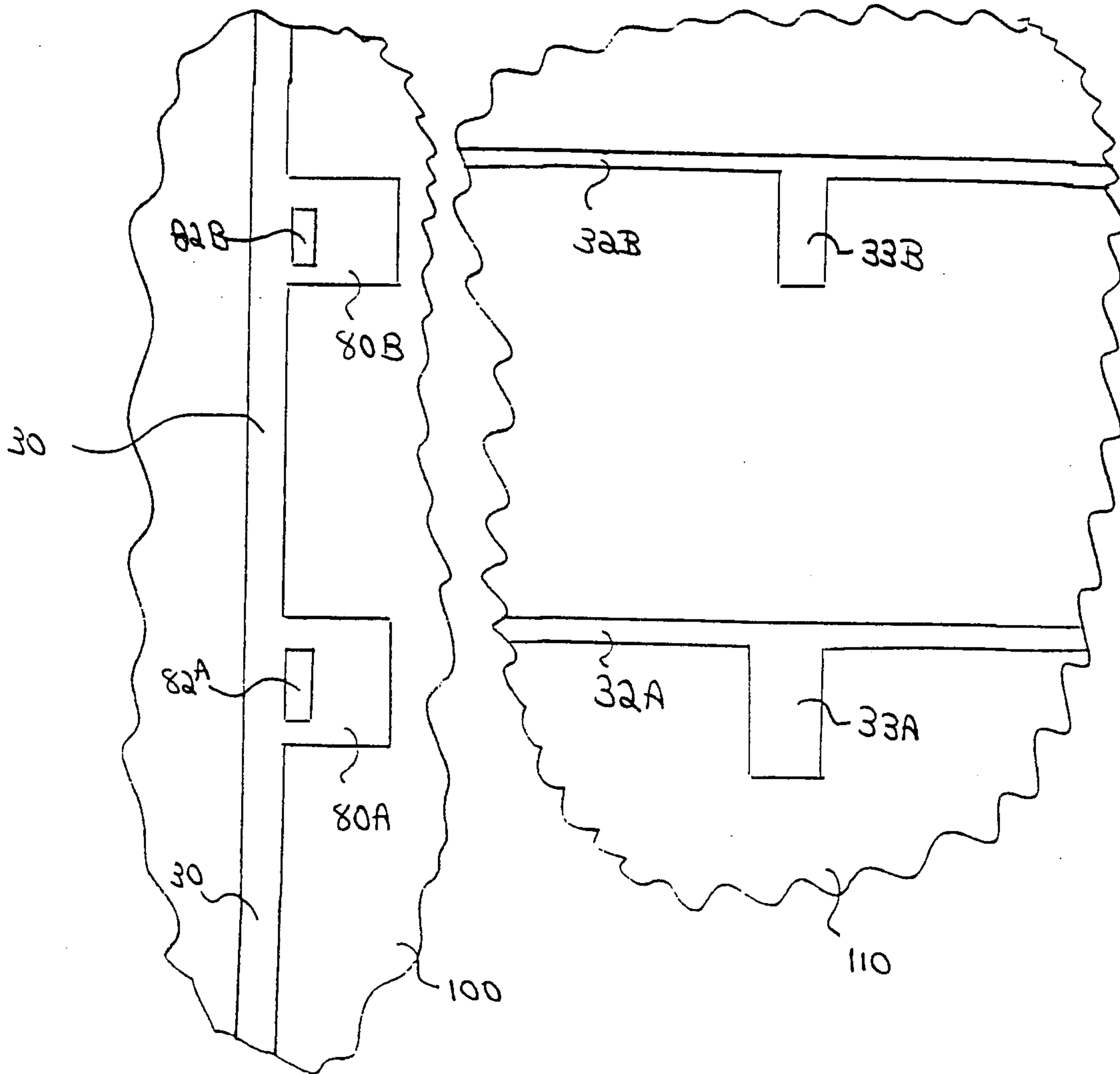
FIG 27



17/39

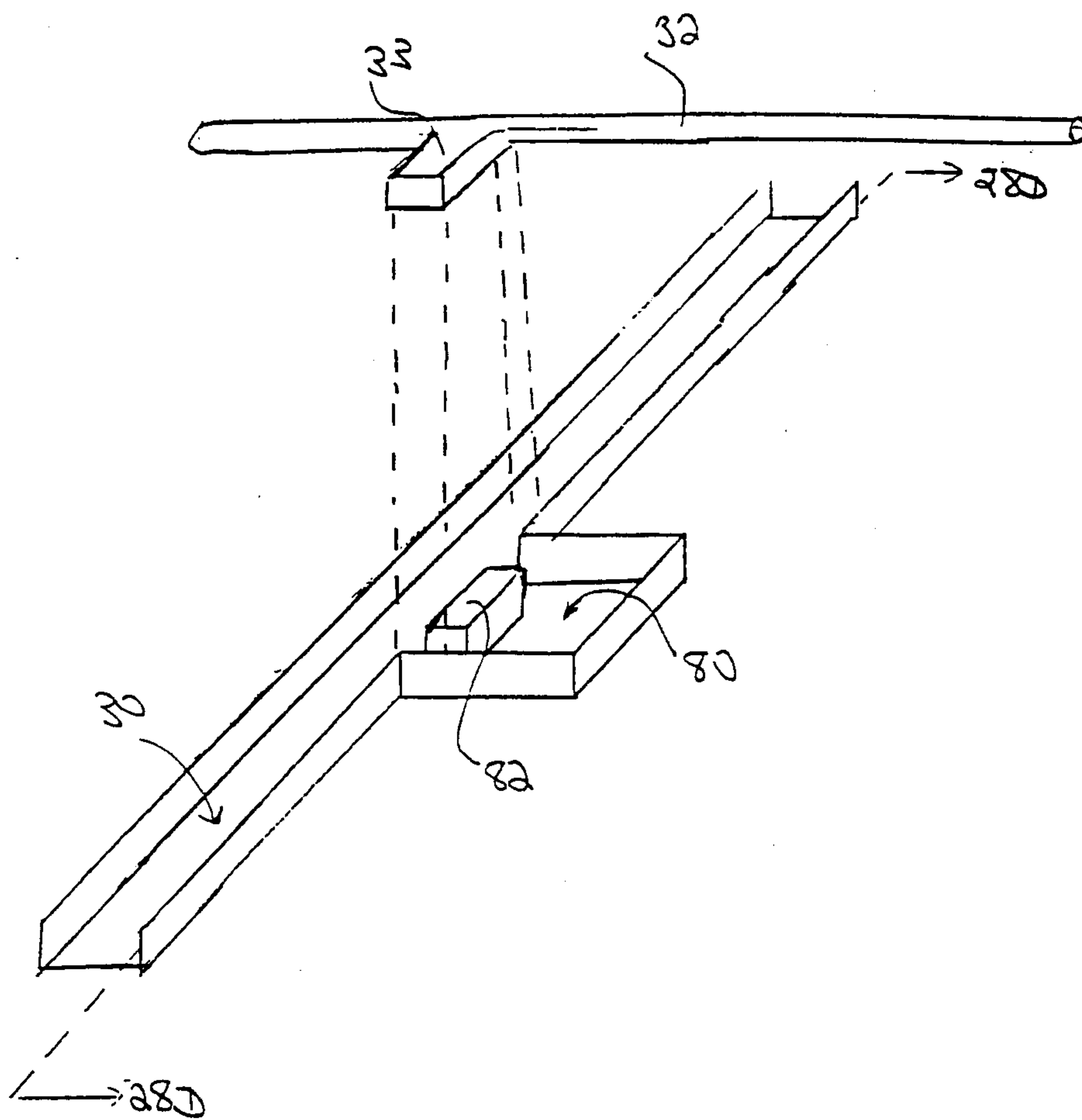
FIG 28A

FIG 28B



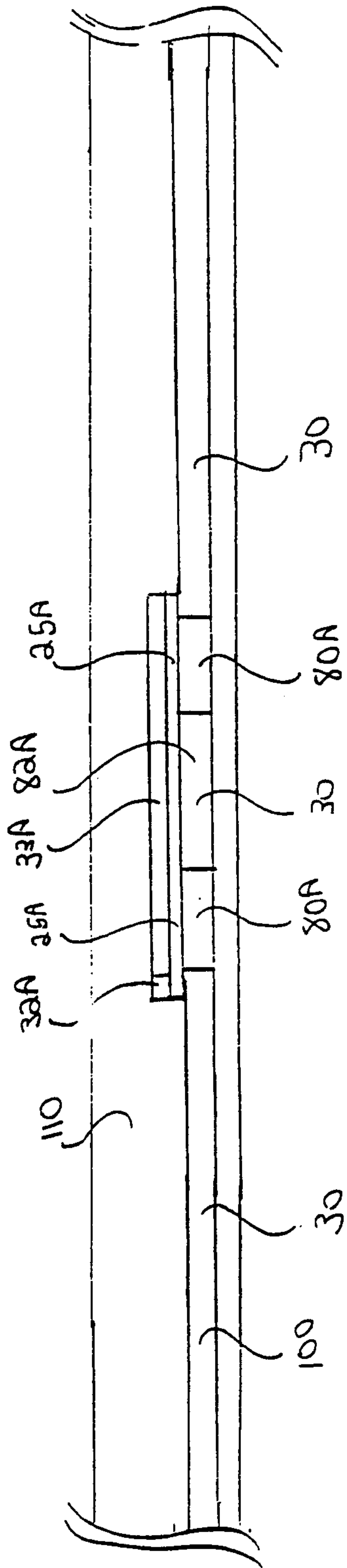
18/39

FIG 28C

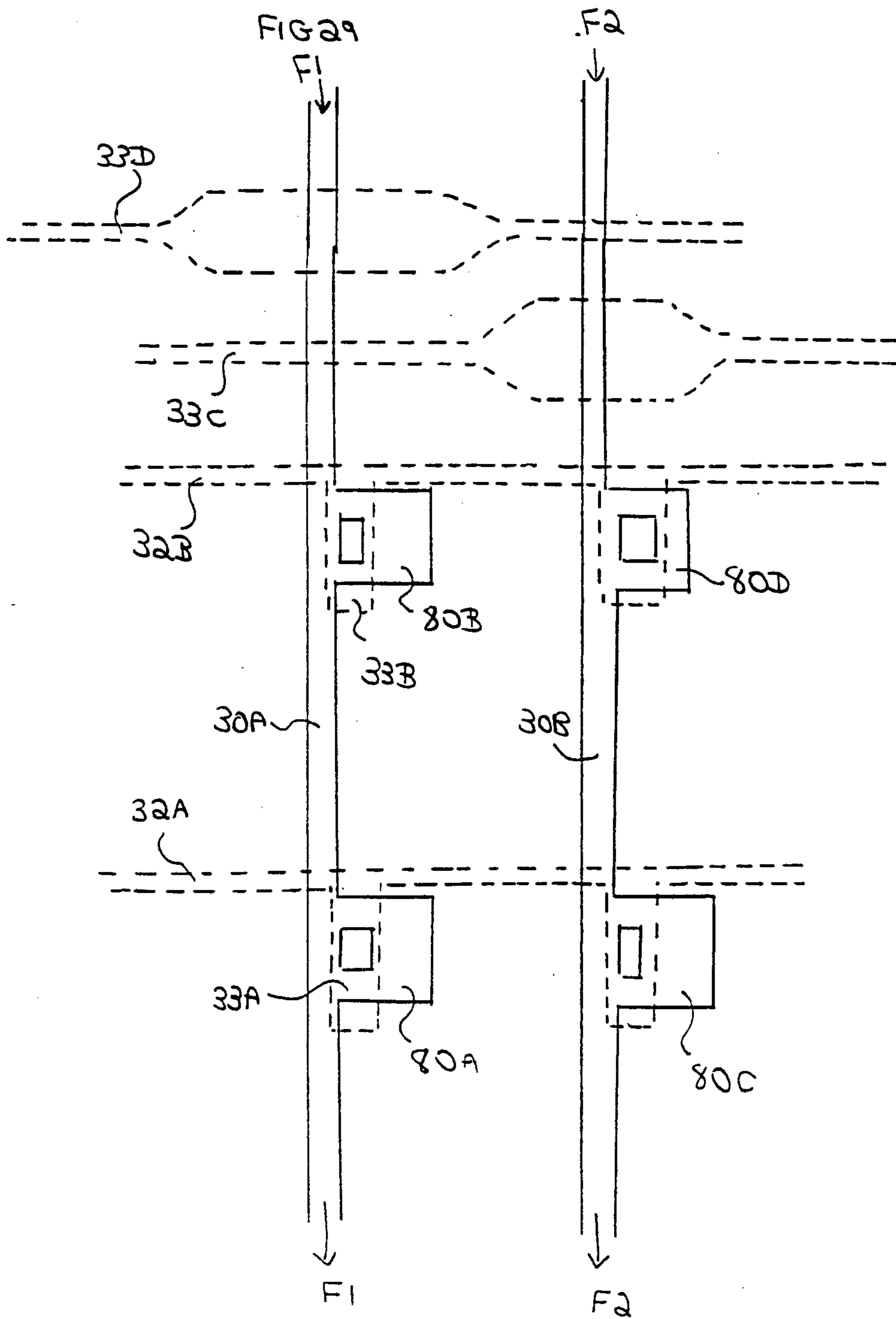


19/39

FIG 8&D

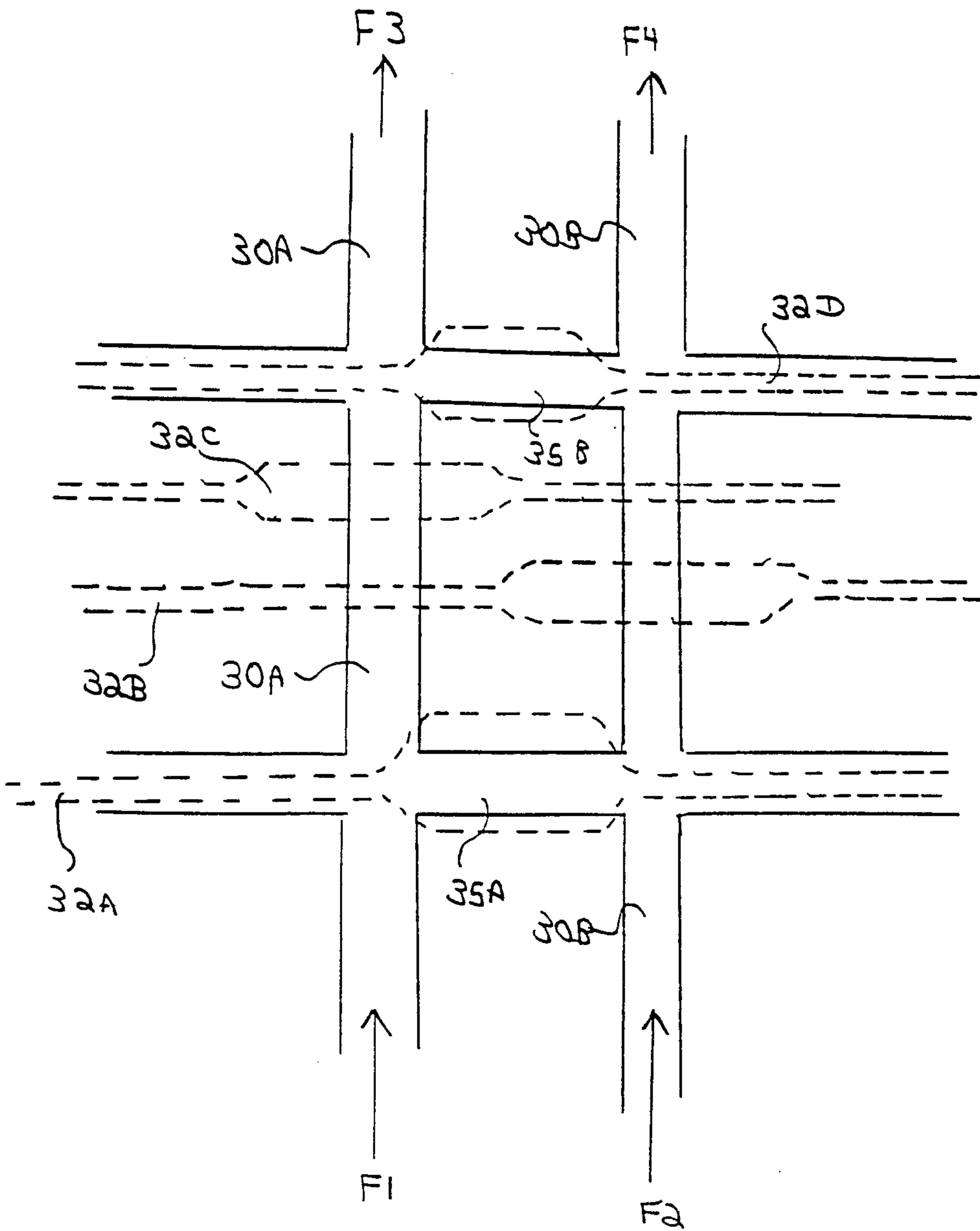


20/39



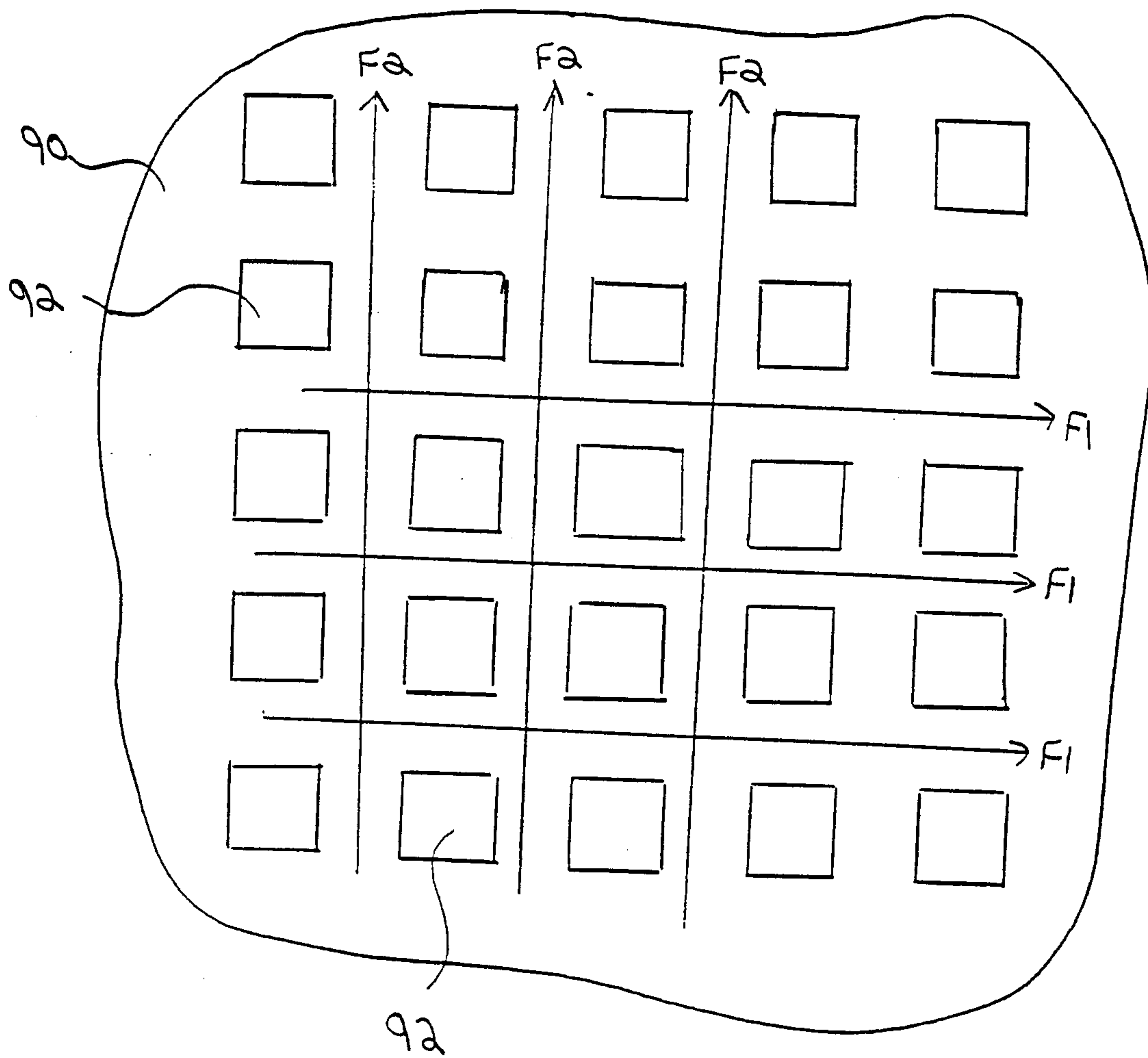
21/39

FIG 30



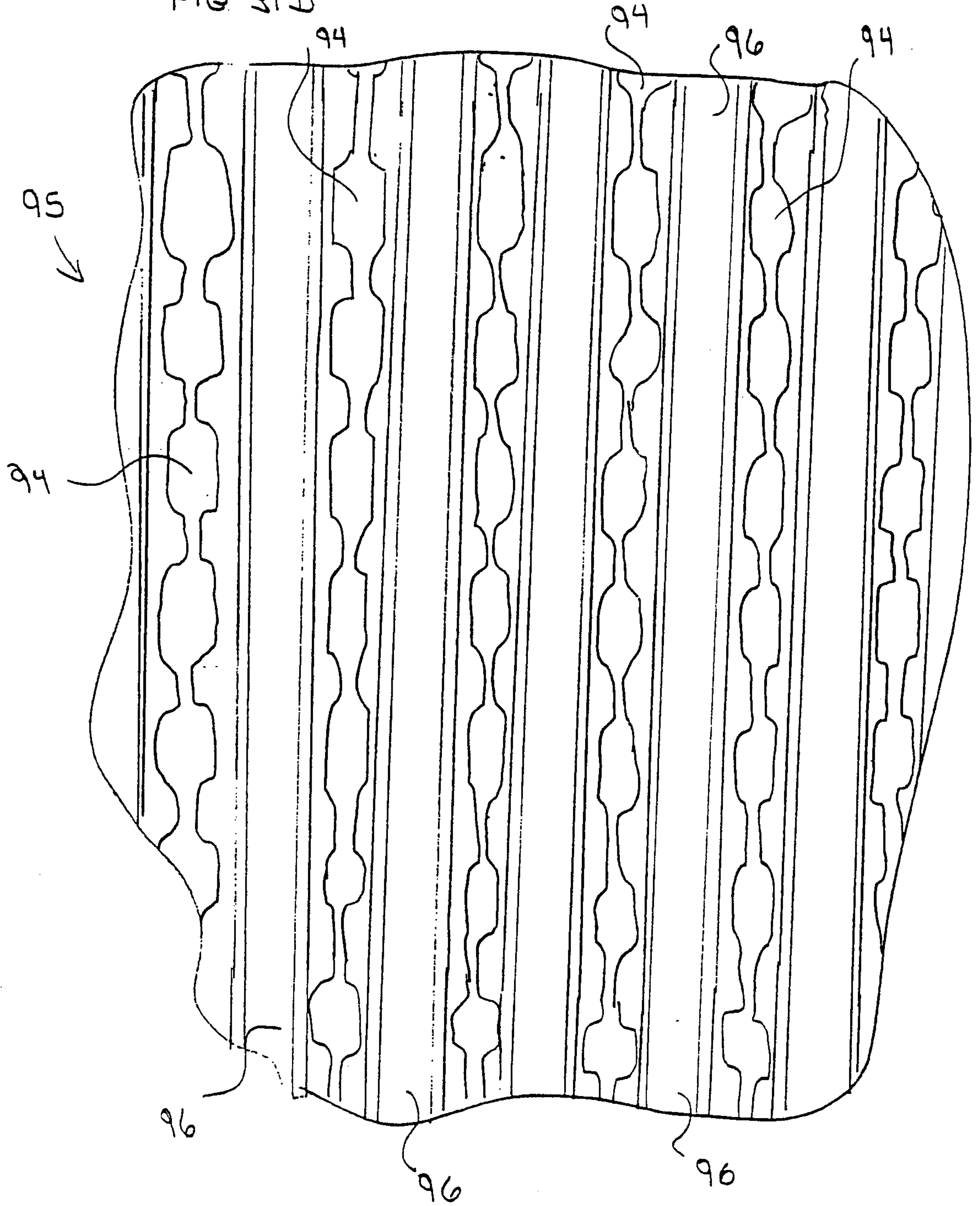
22/39

FIG 31A

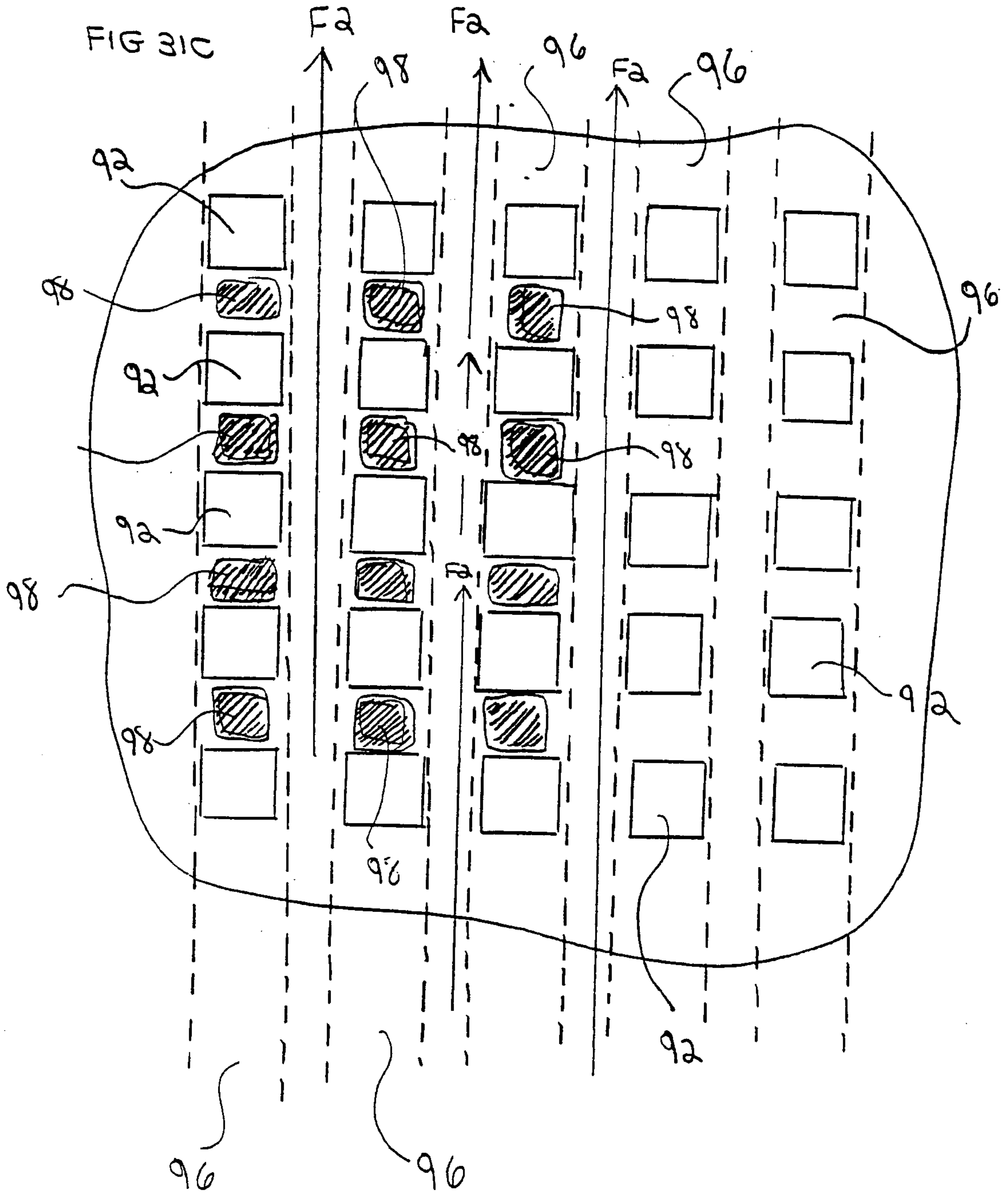


23/39

FIG 31B

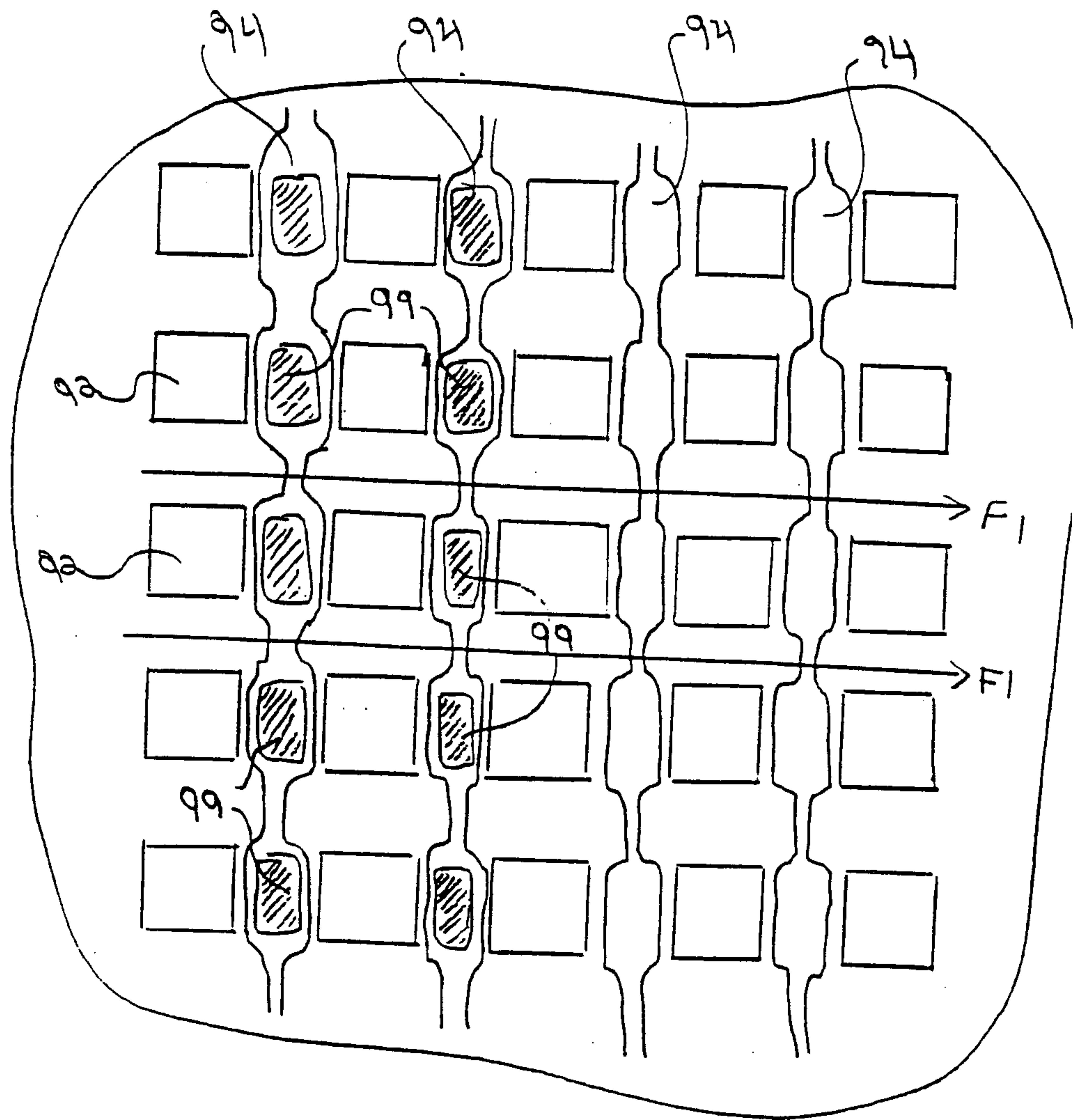


24/39



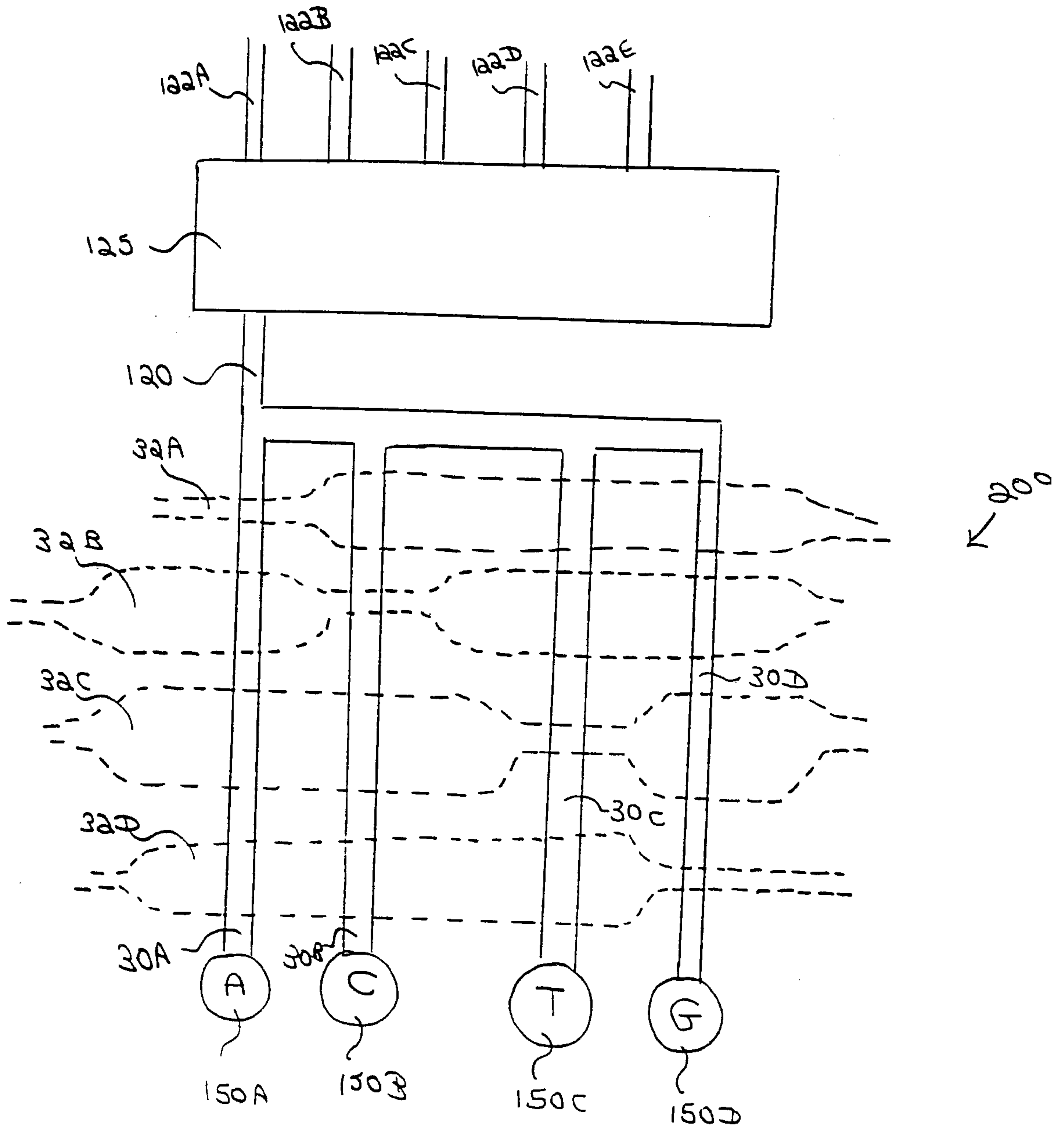
25/39

FIG 31D



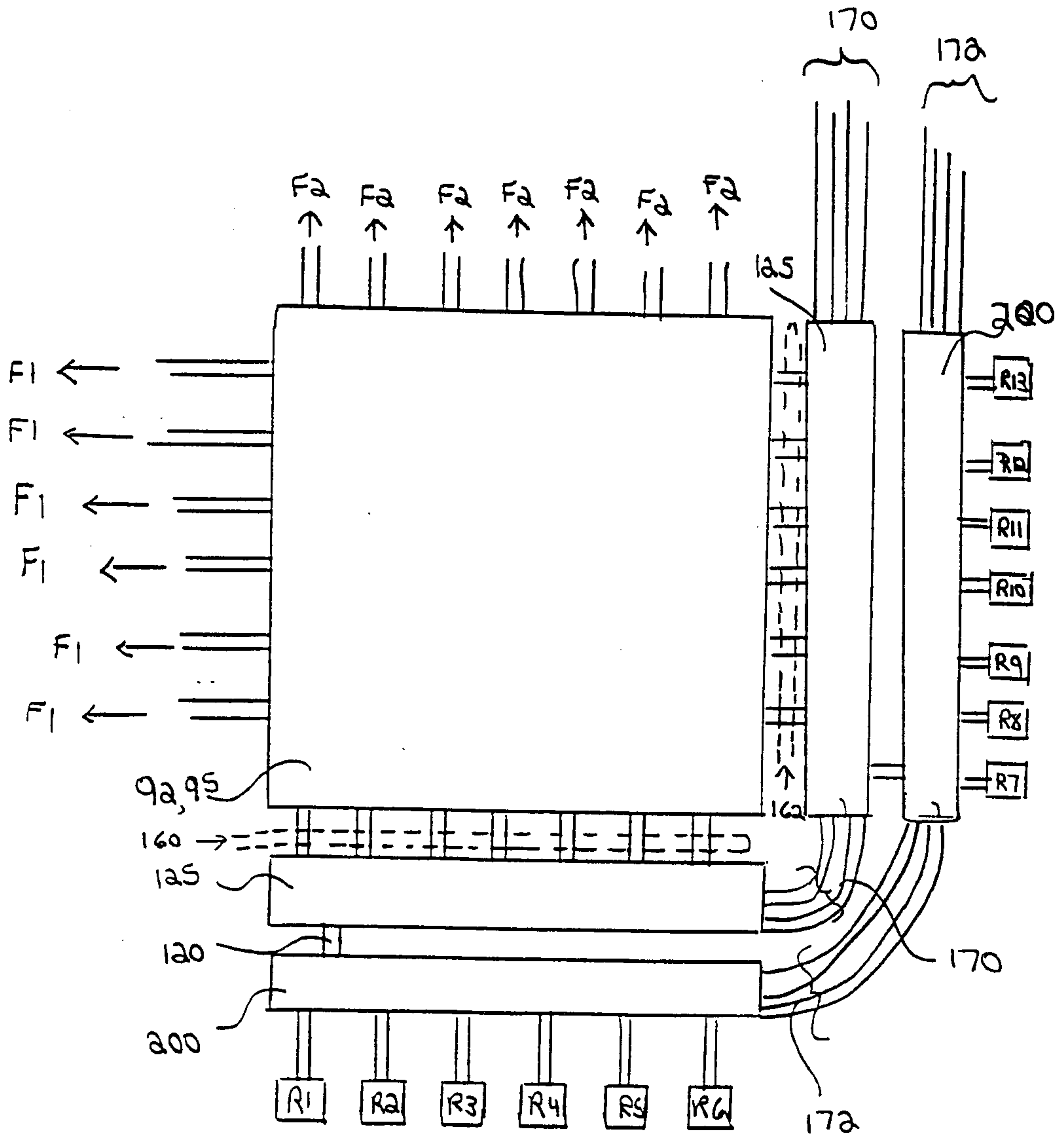
26/39

FIG 32



27/39

FIG 33



28/39

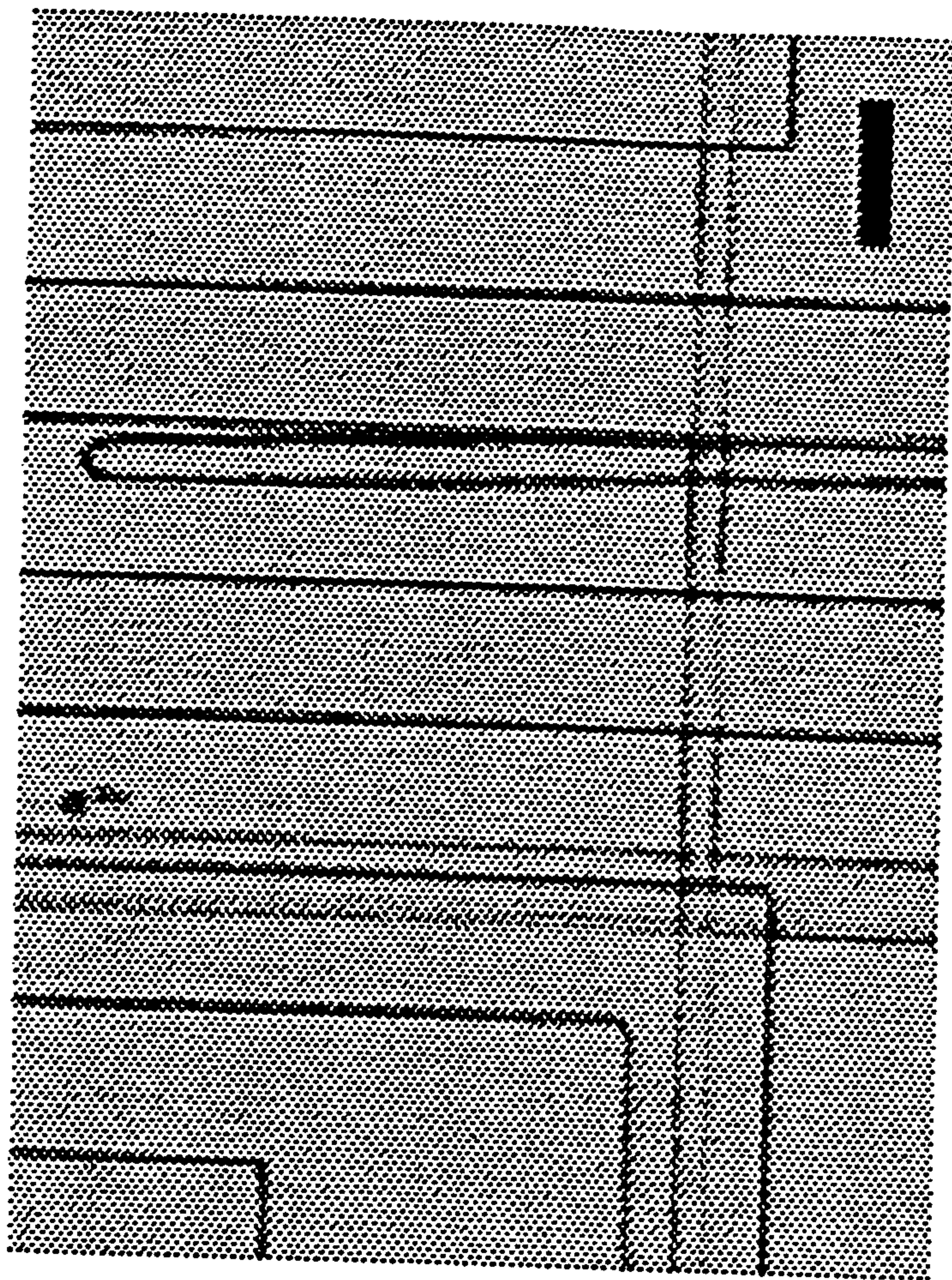


FIG. 34

29/39

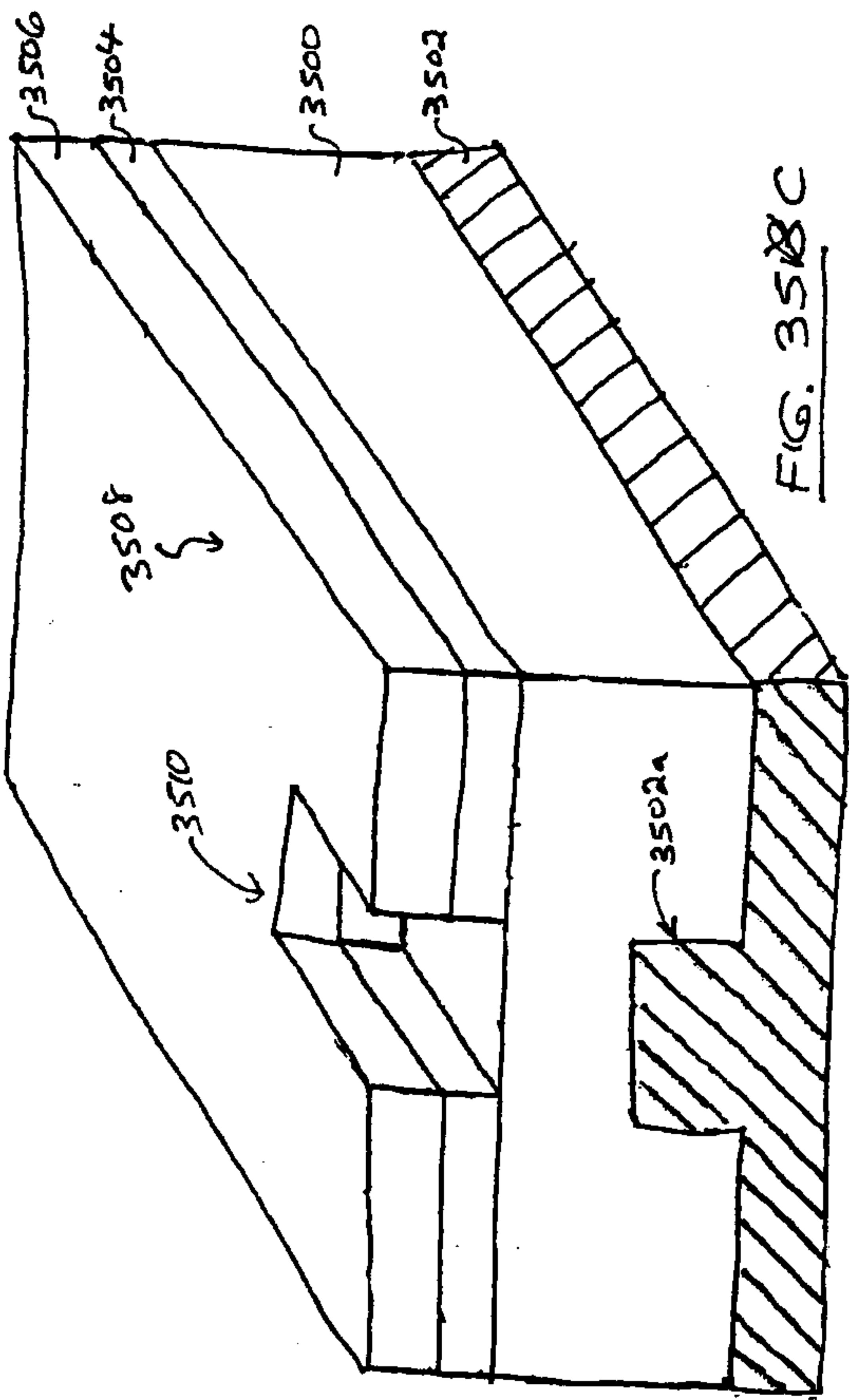


FIG. 3518C

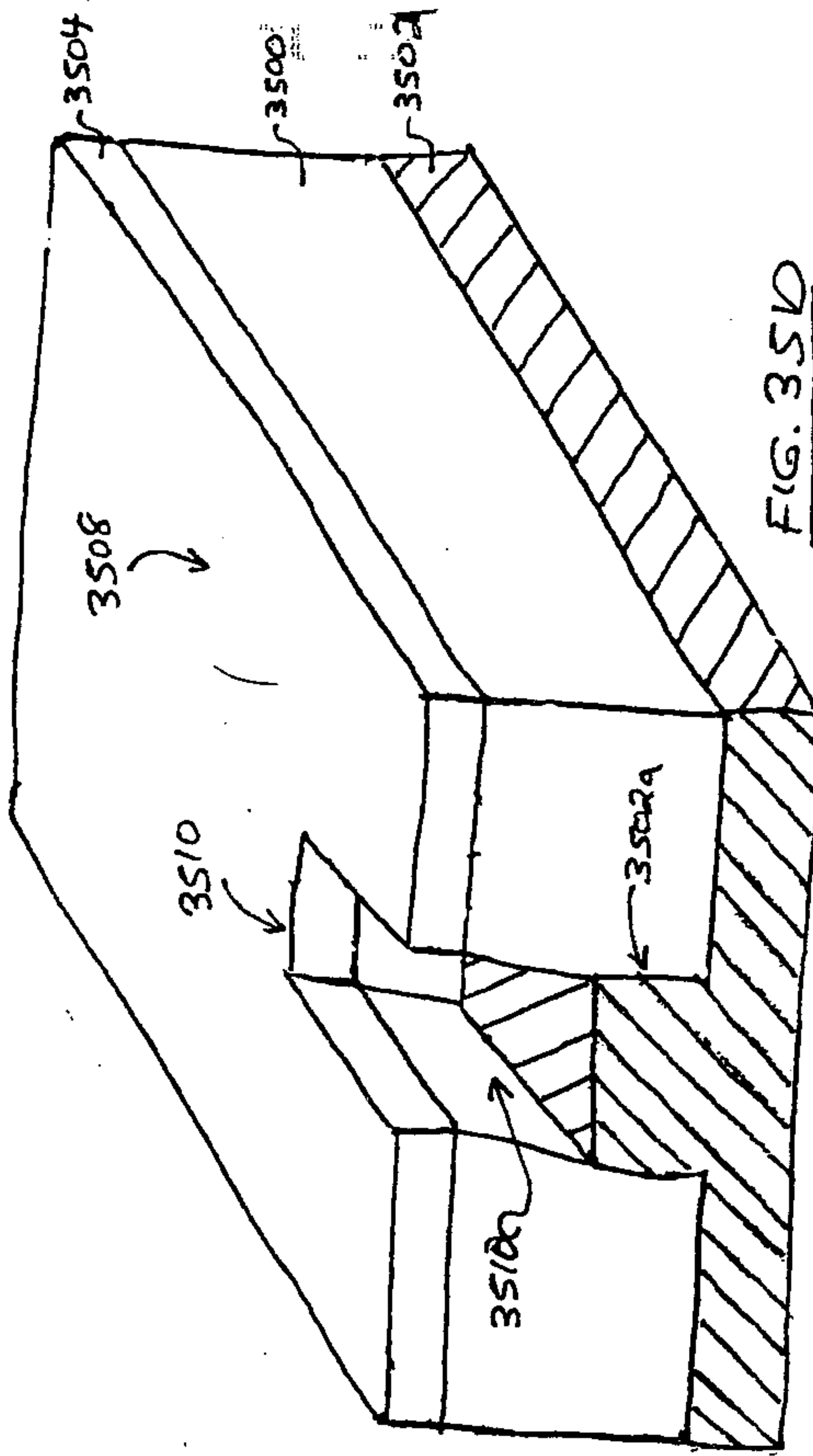


FIG. 351D

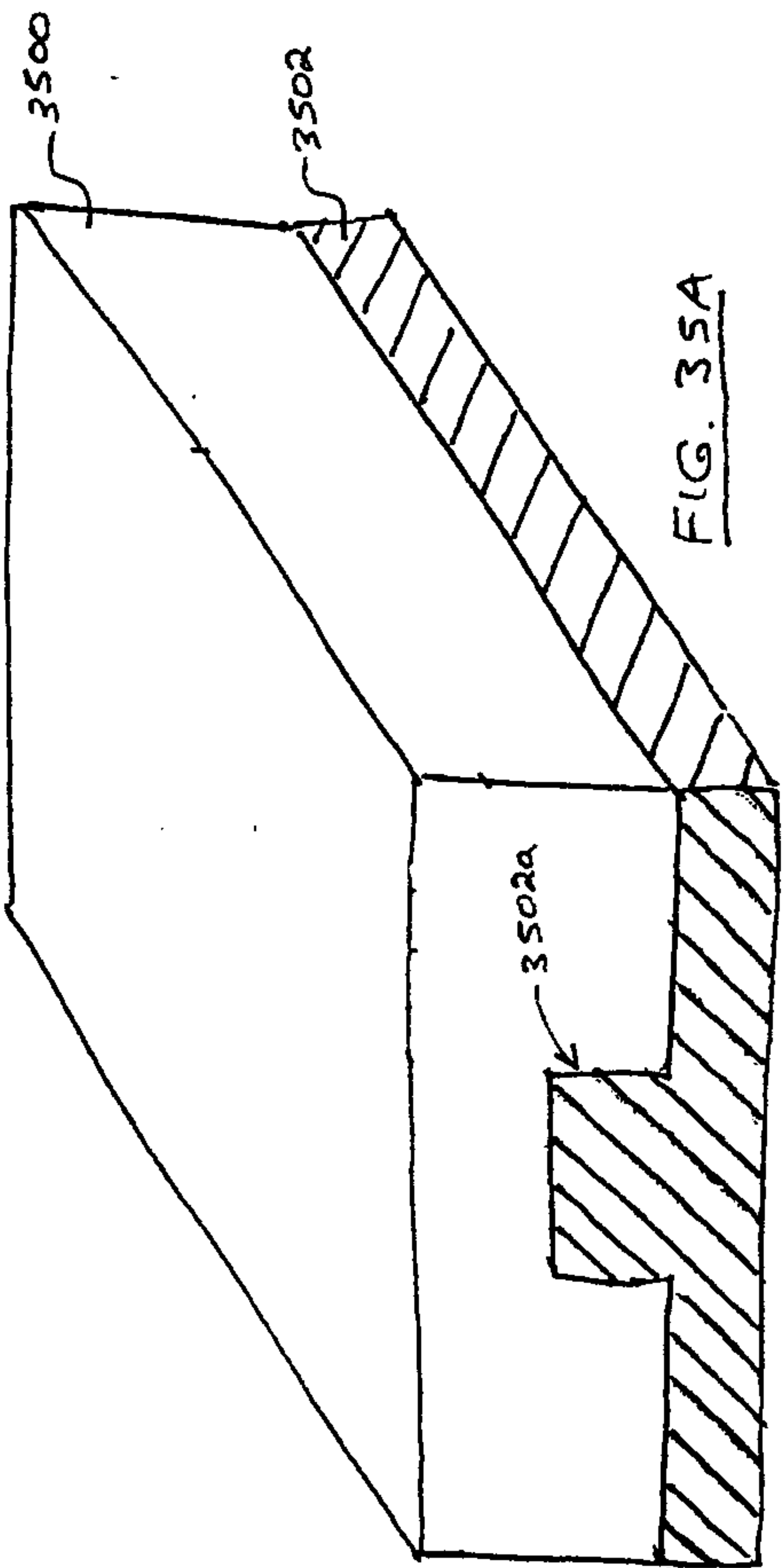


FIG. 351A

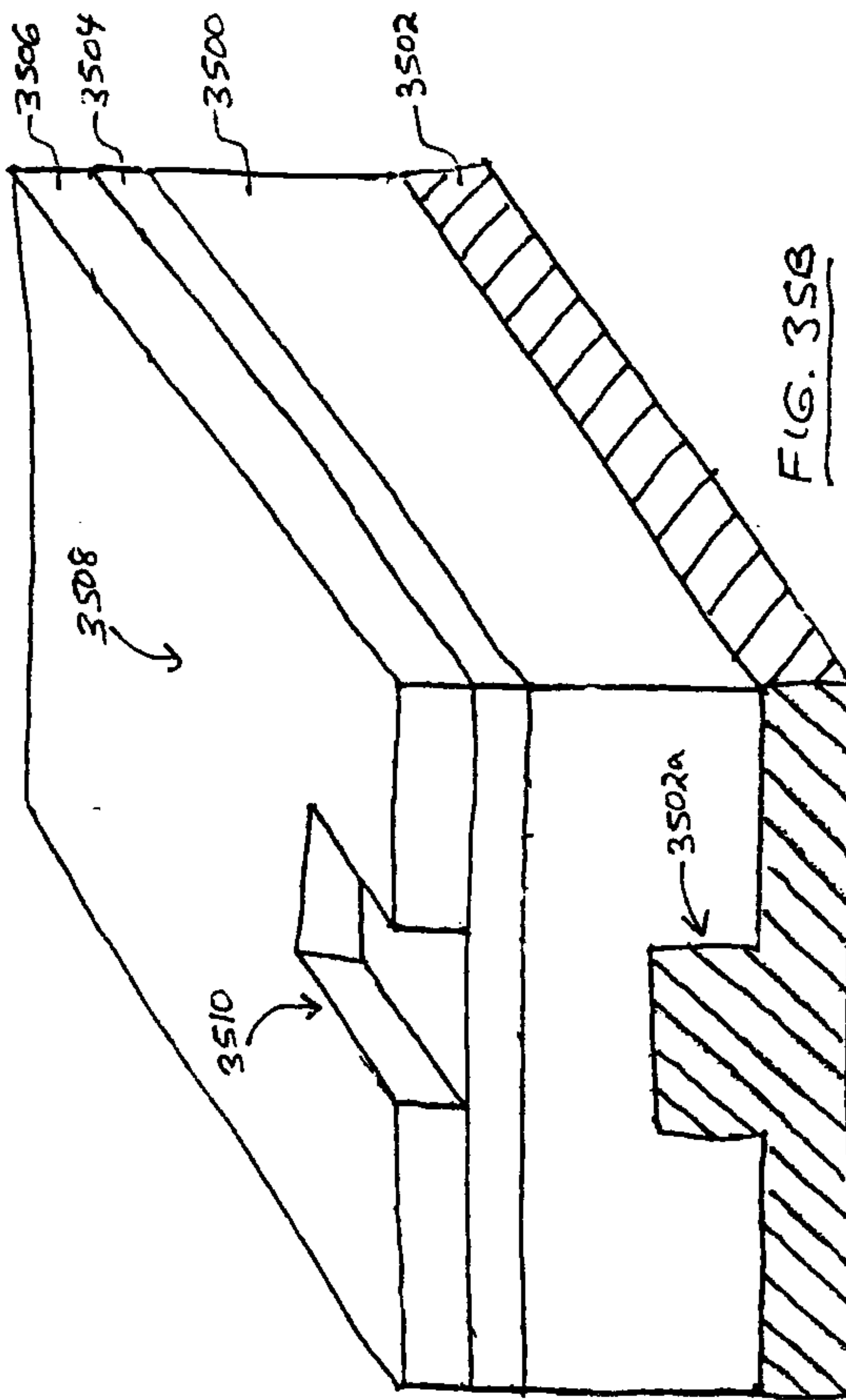


FIG. 351B

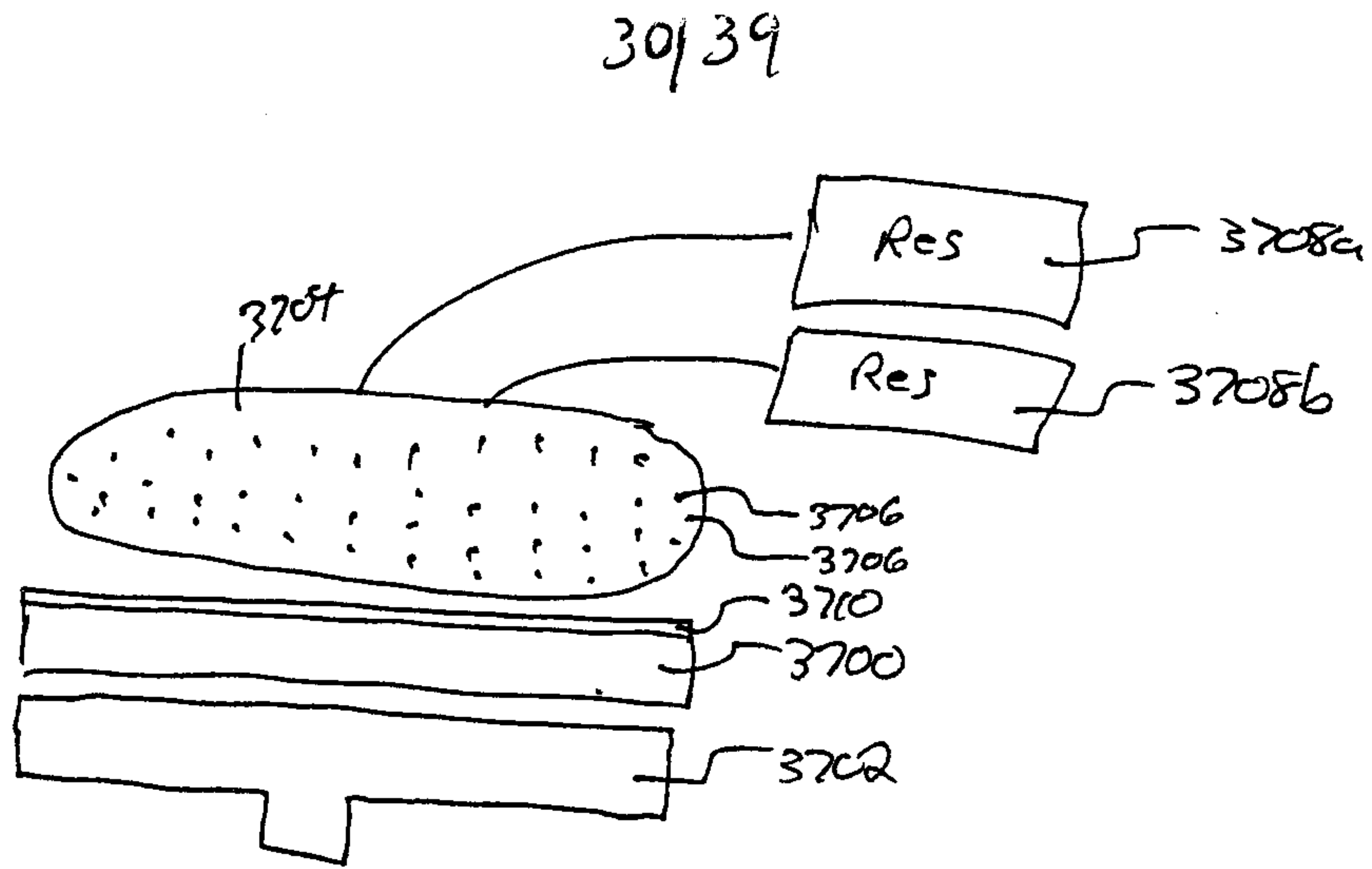


FIG. 37

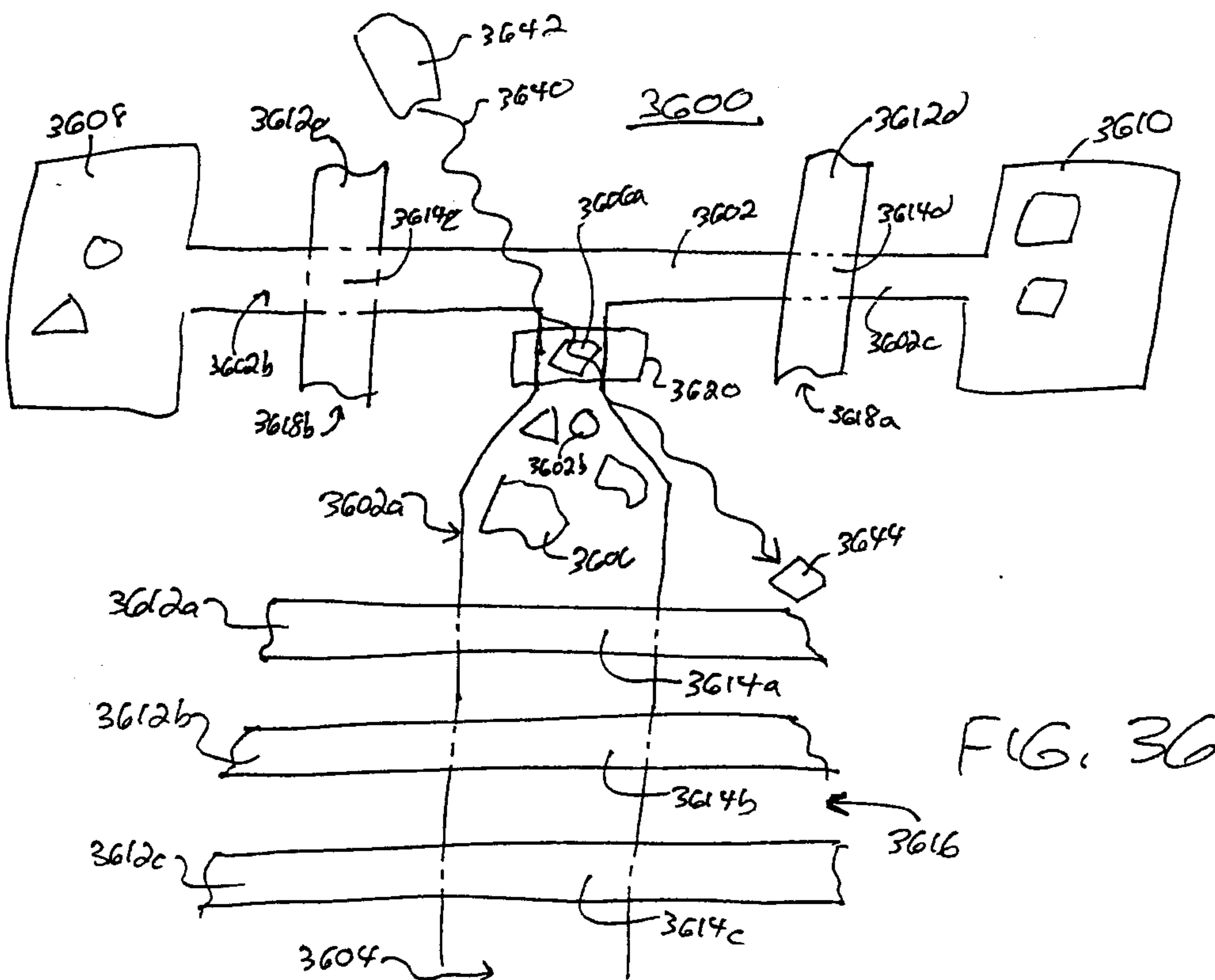


FIG. 36

31/39

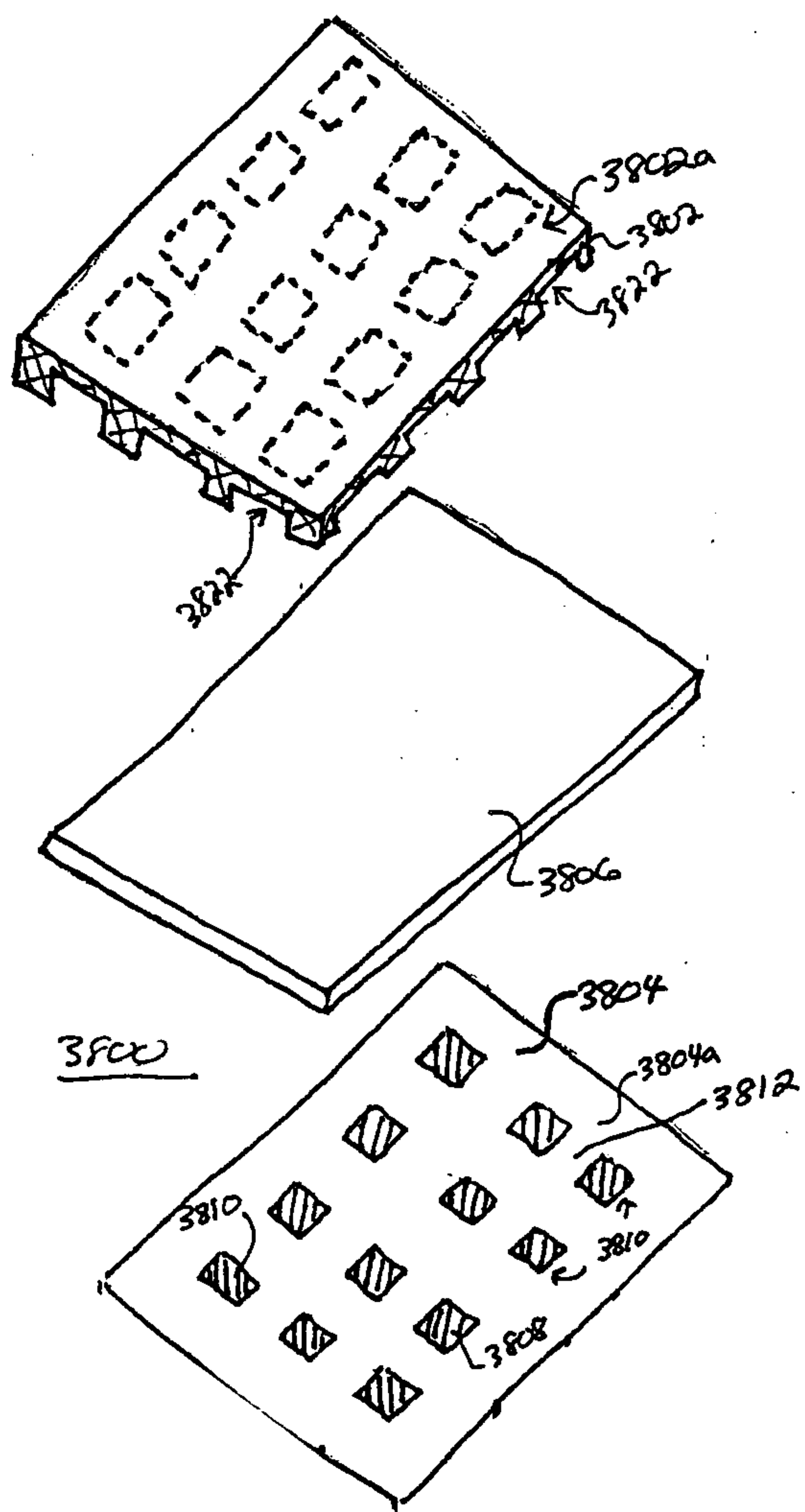


FIG. 38A

32/39

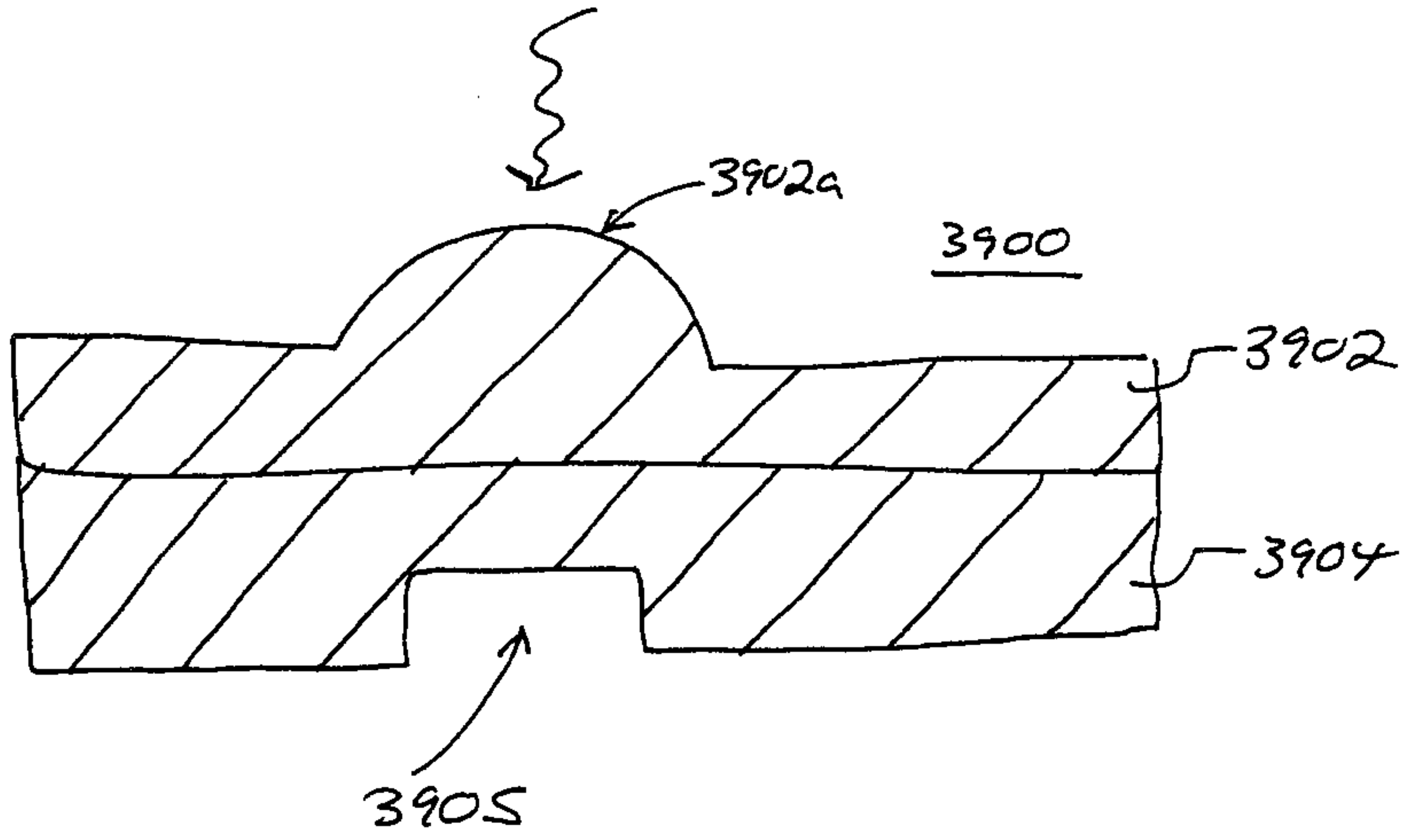


FIG. 39

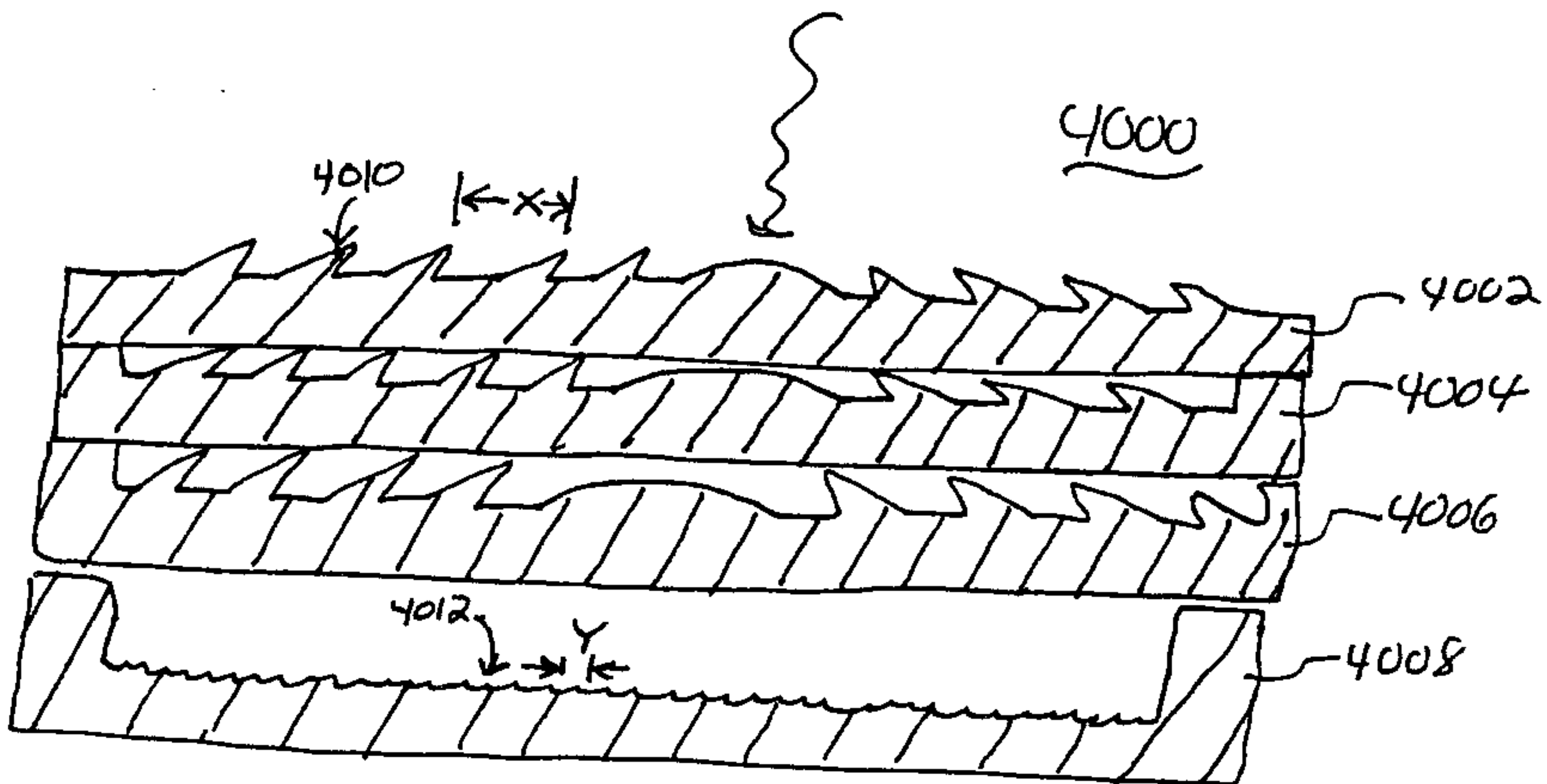


FIG. 40

33/39

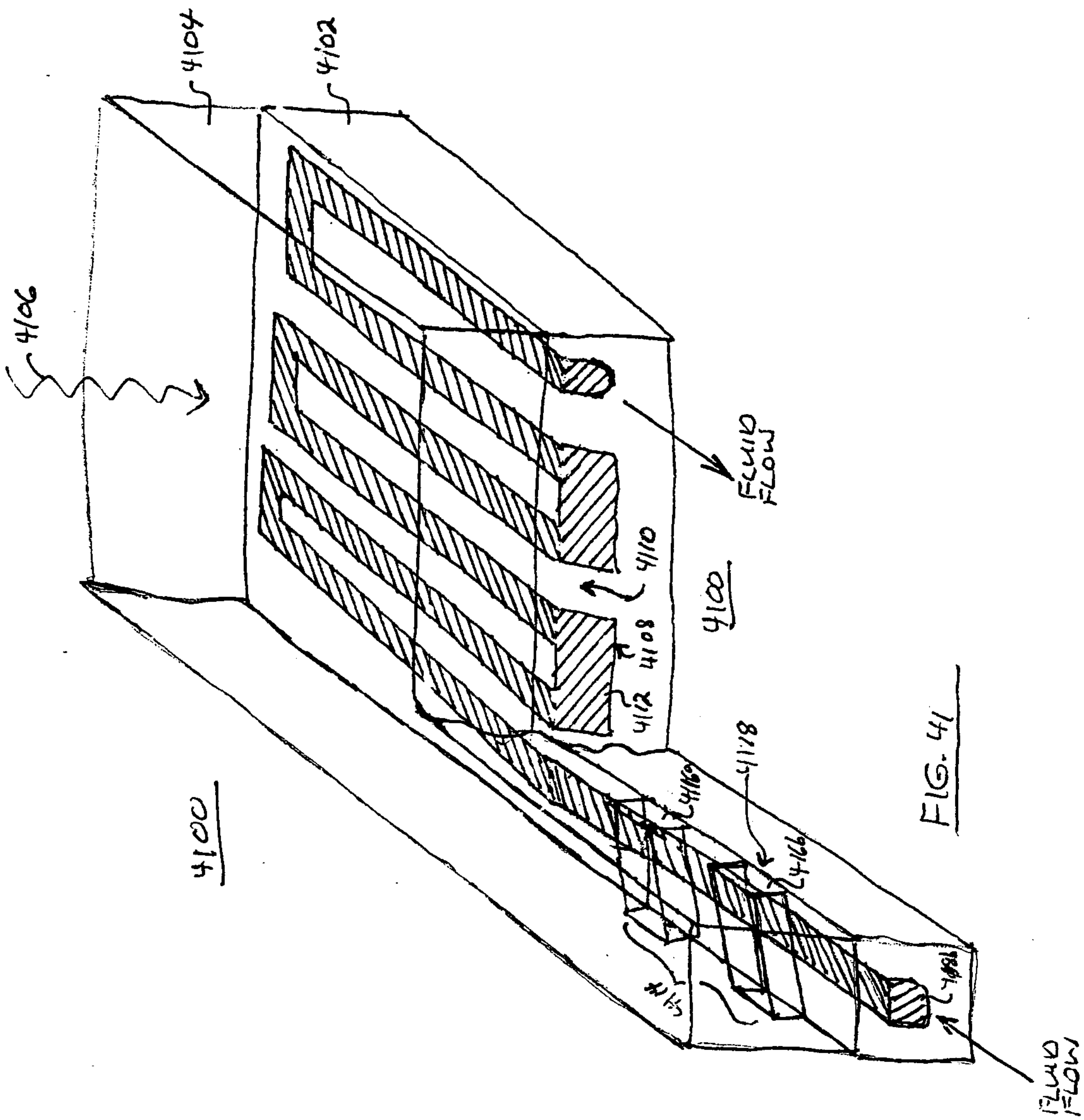
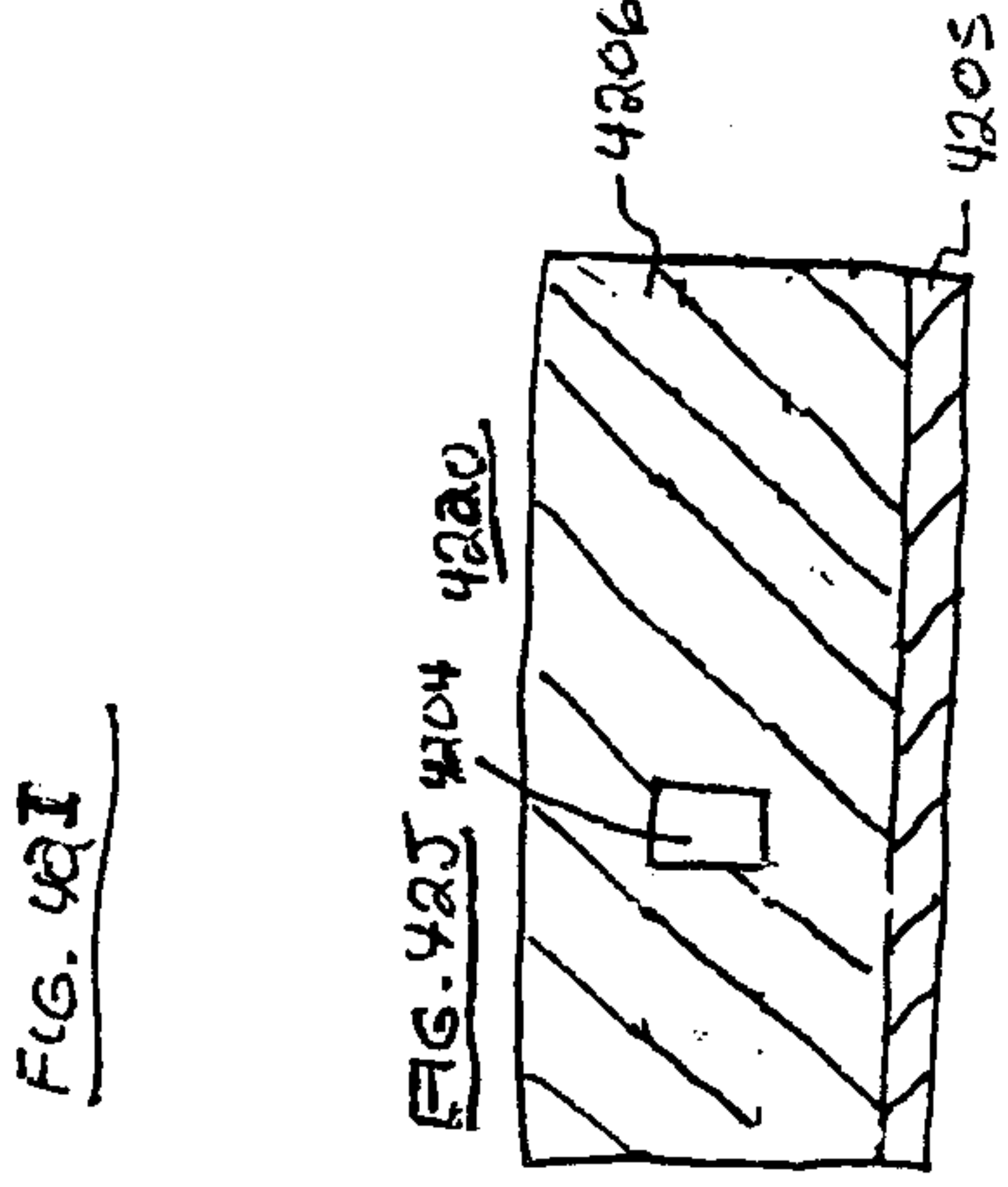
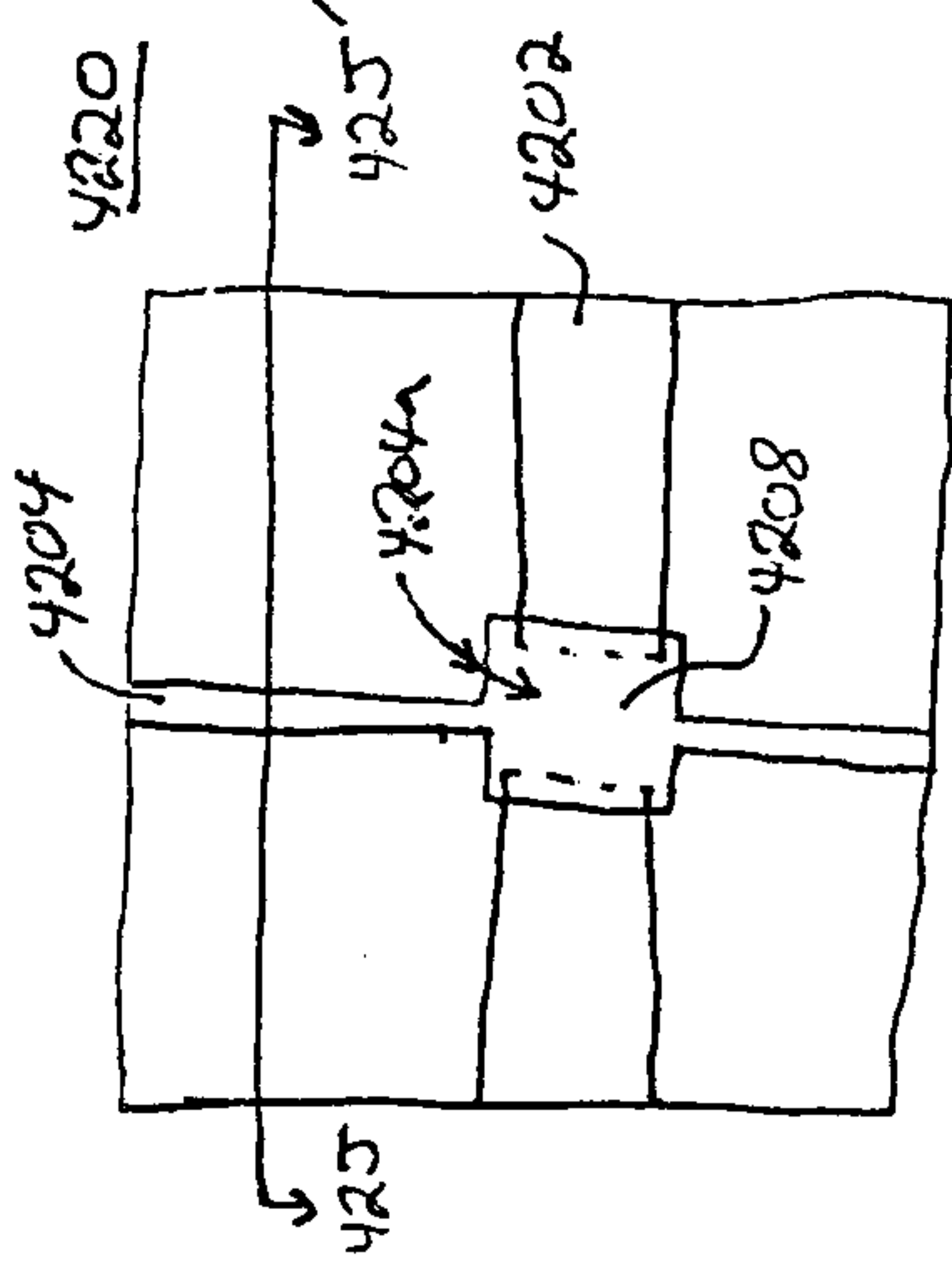
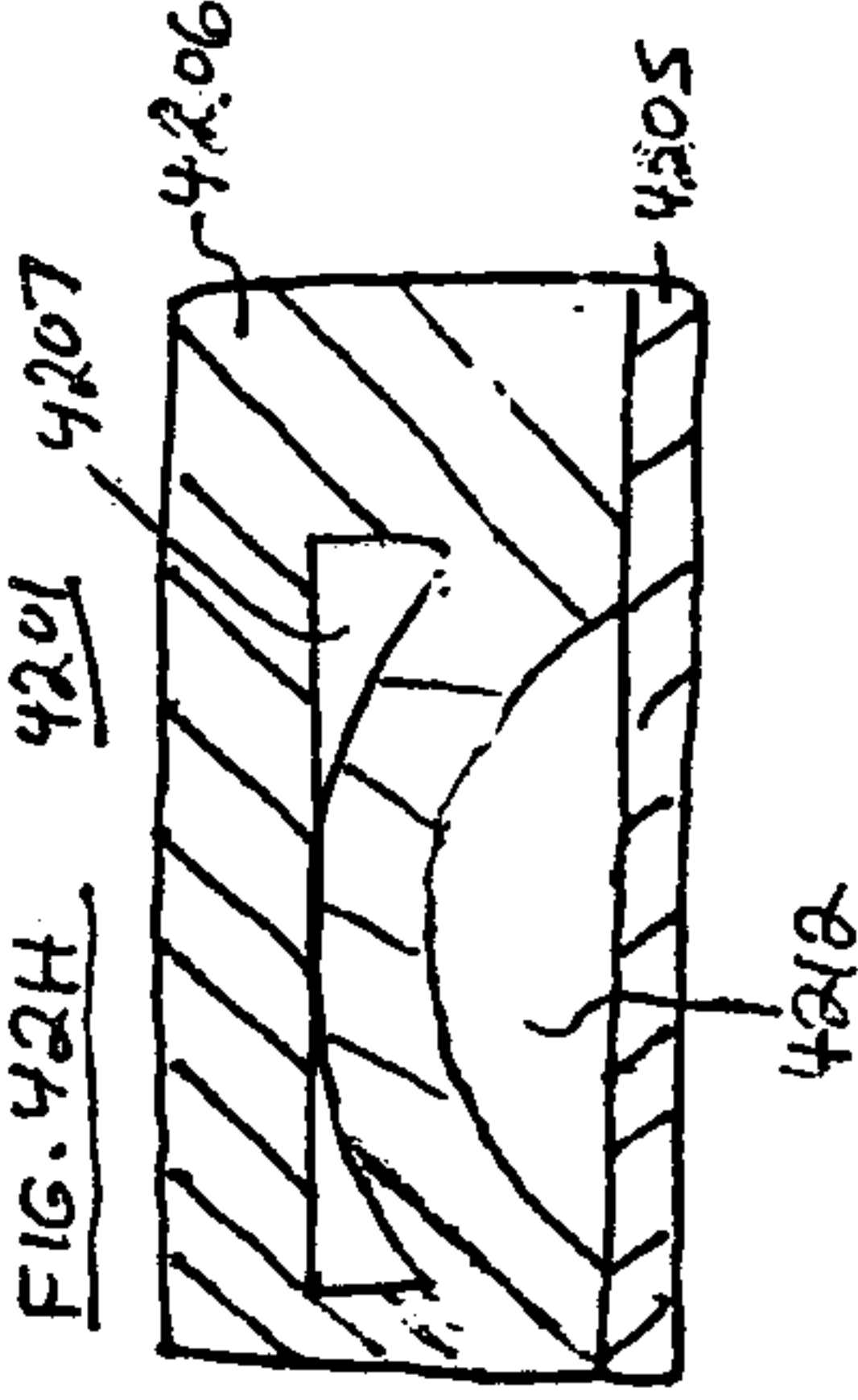
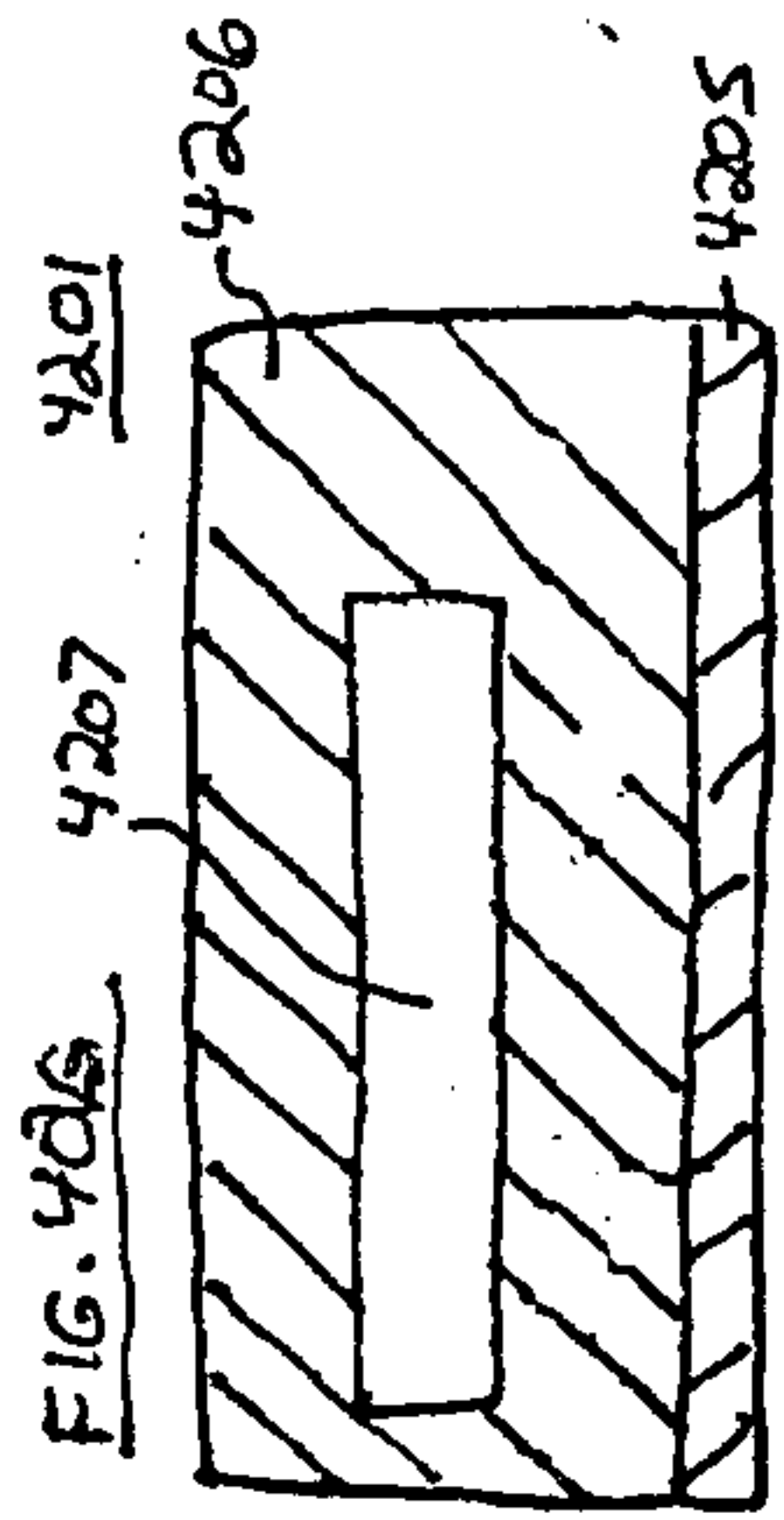
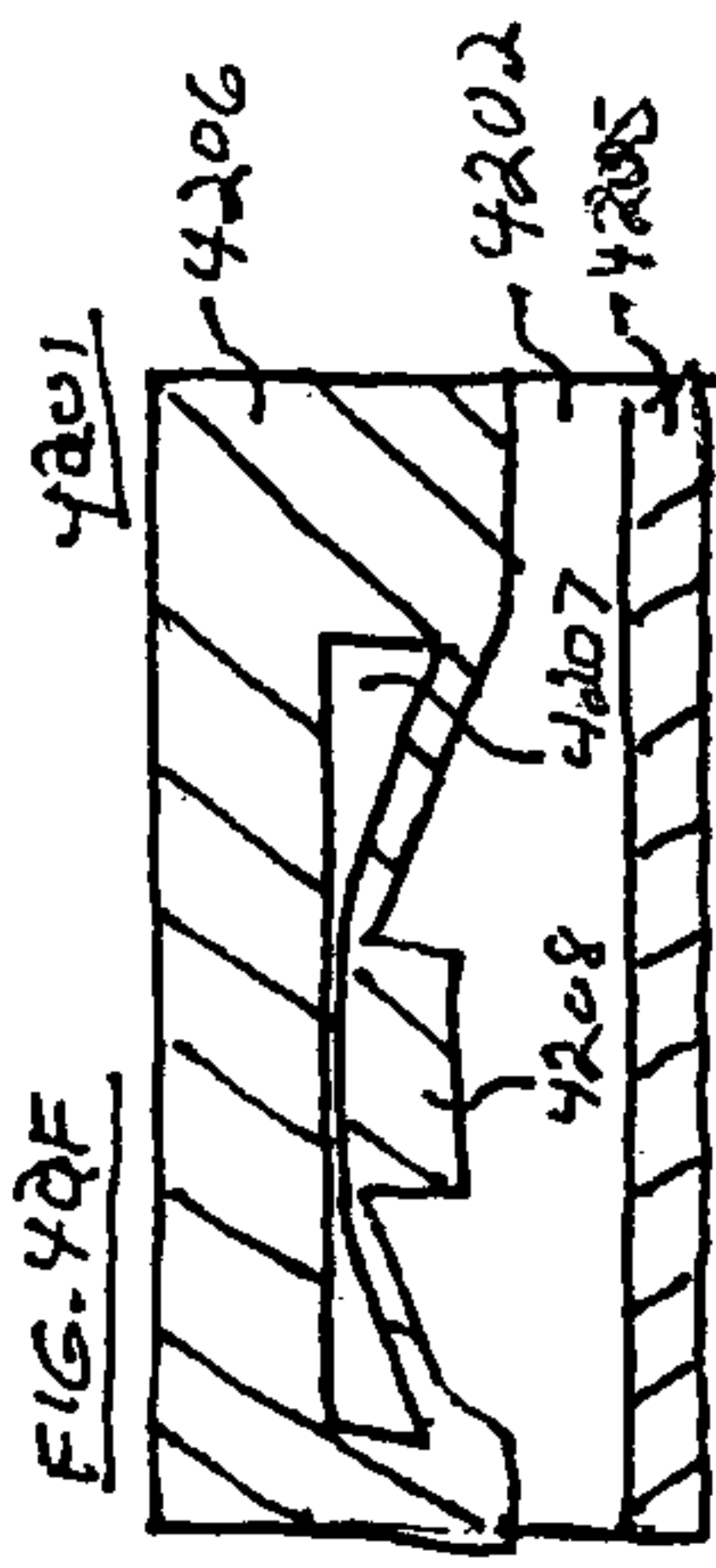
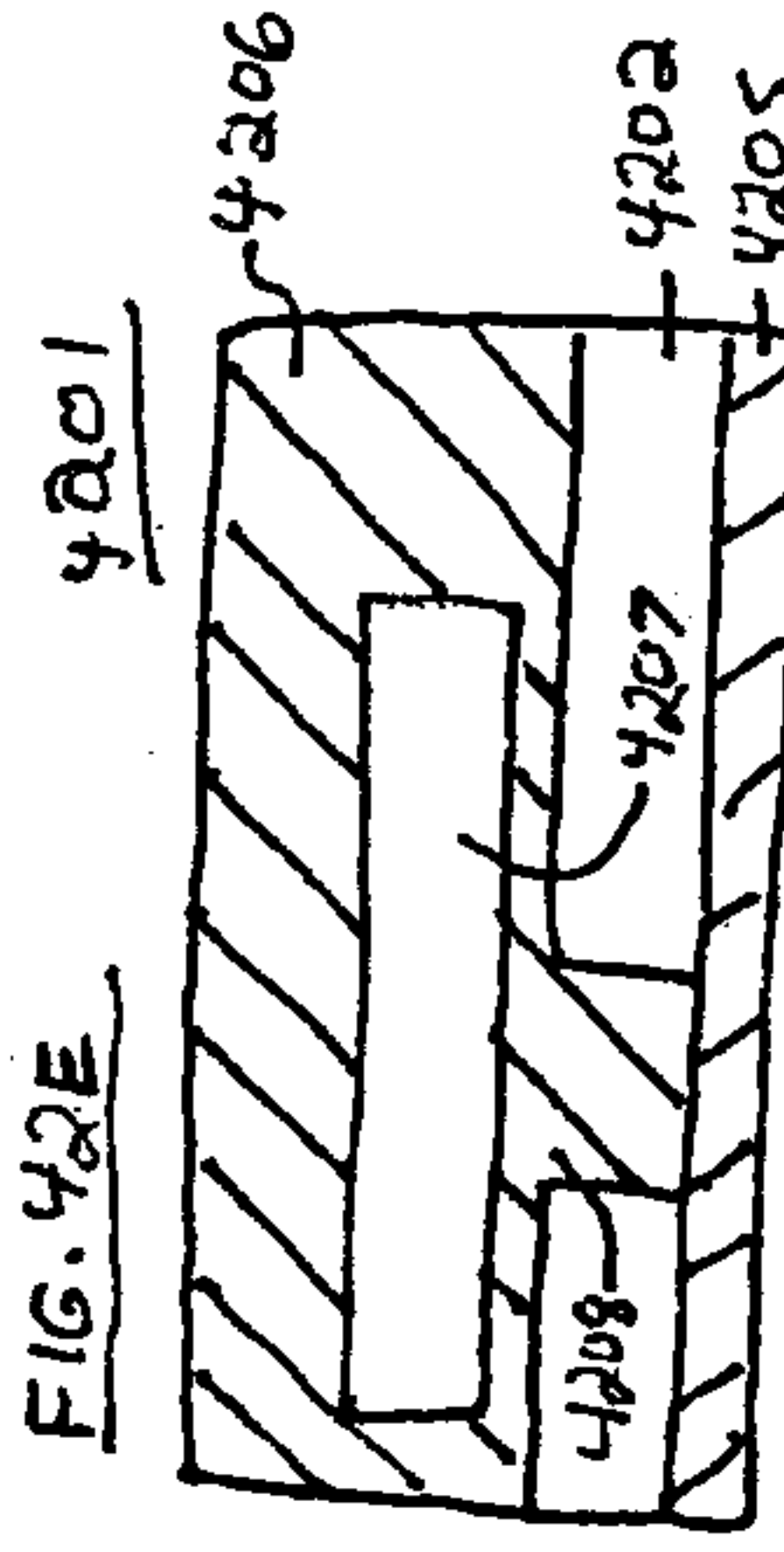
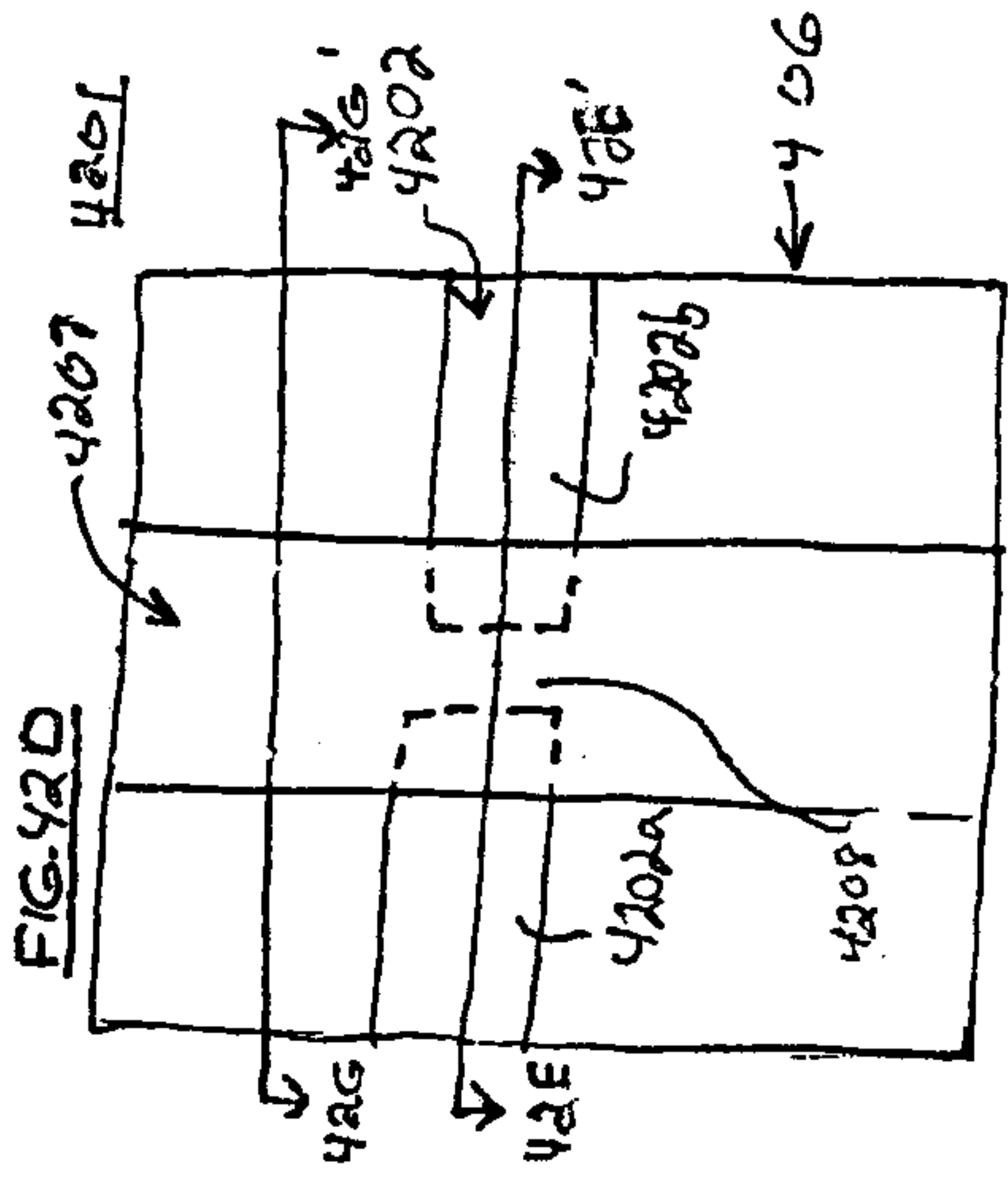
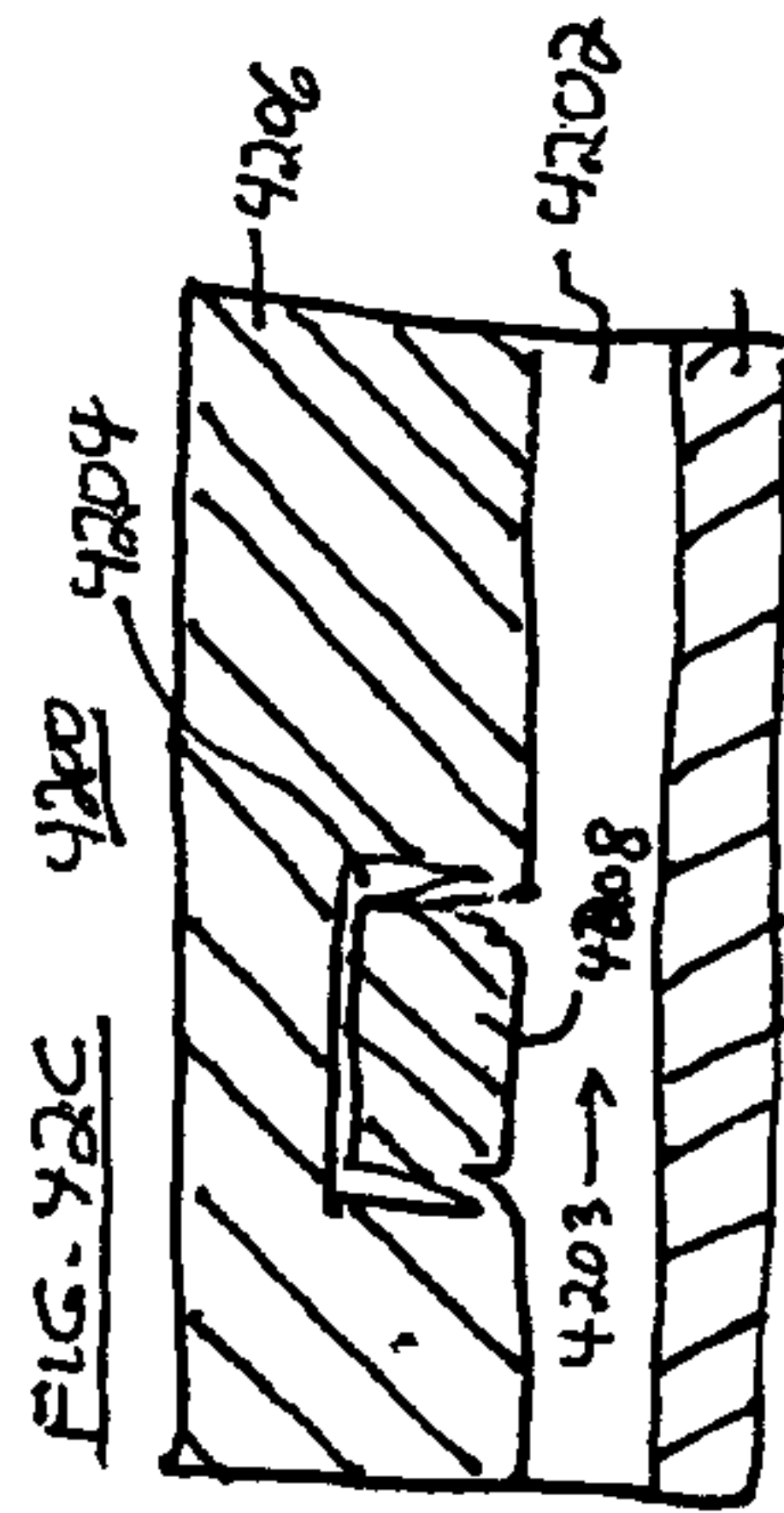
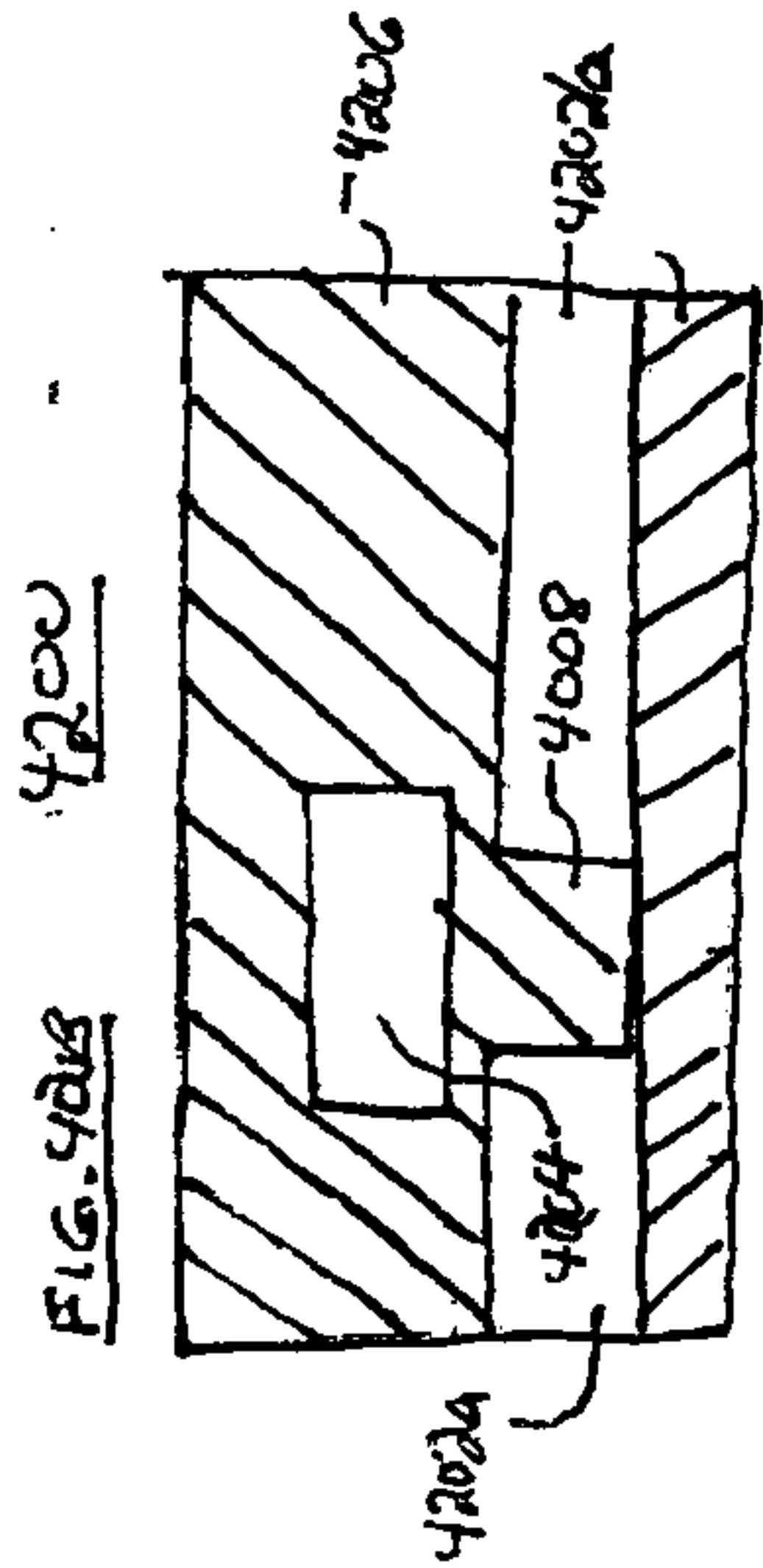
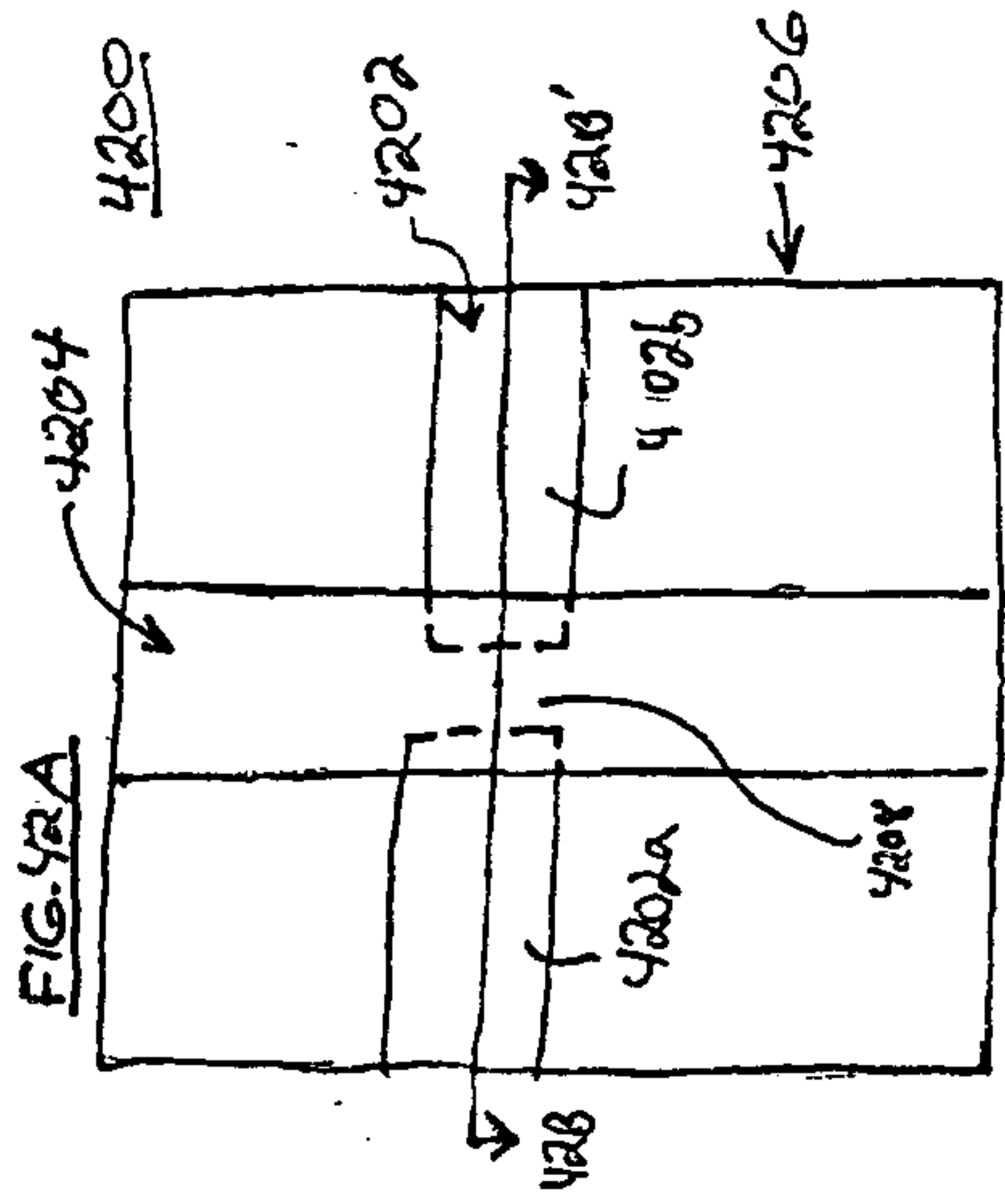


FIG. 41



35/39

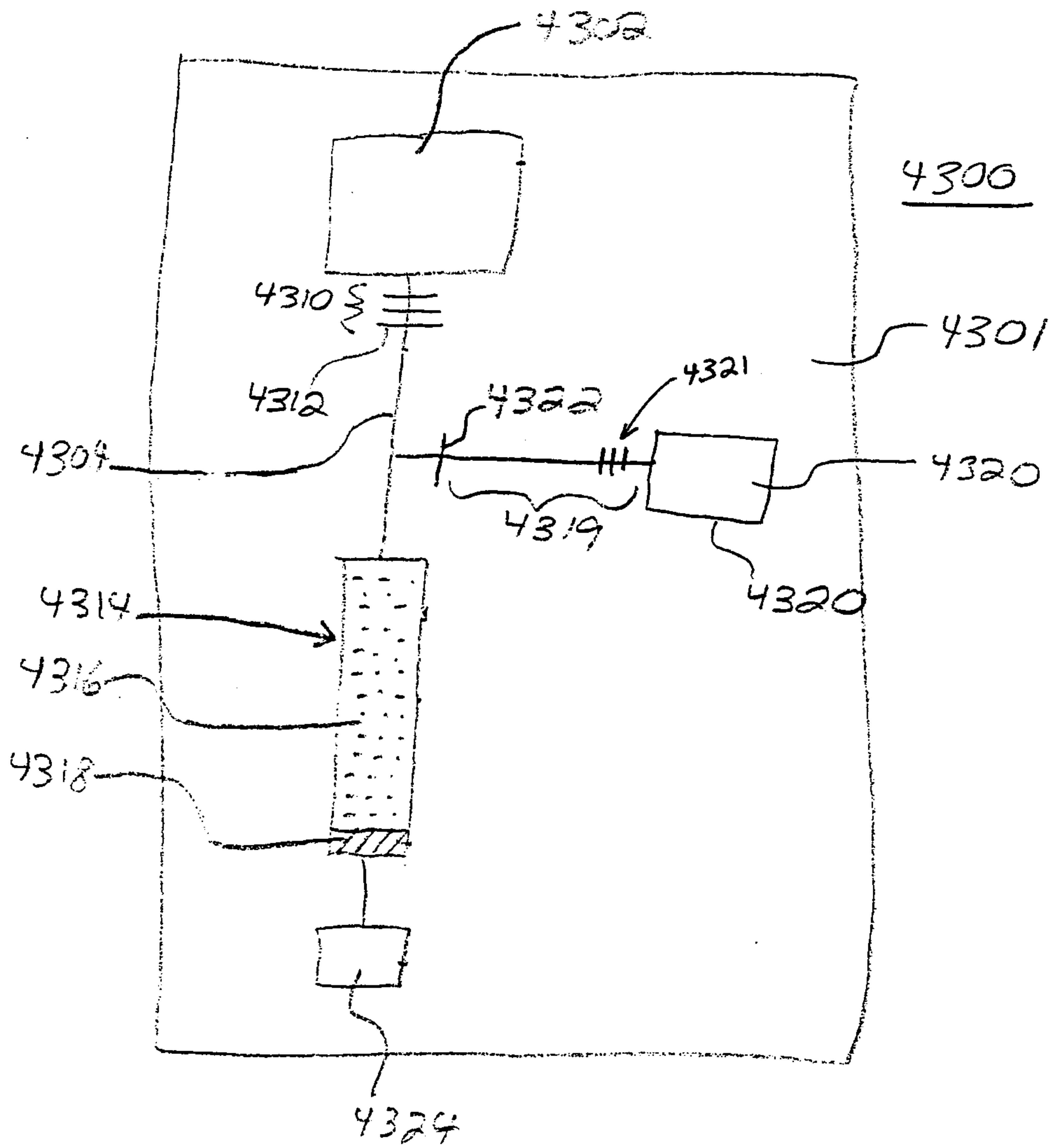
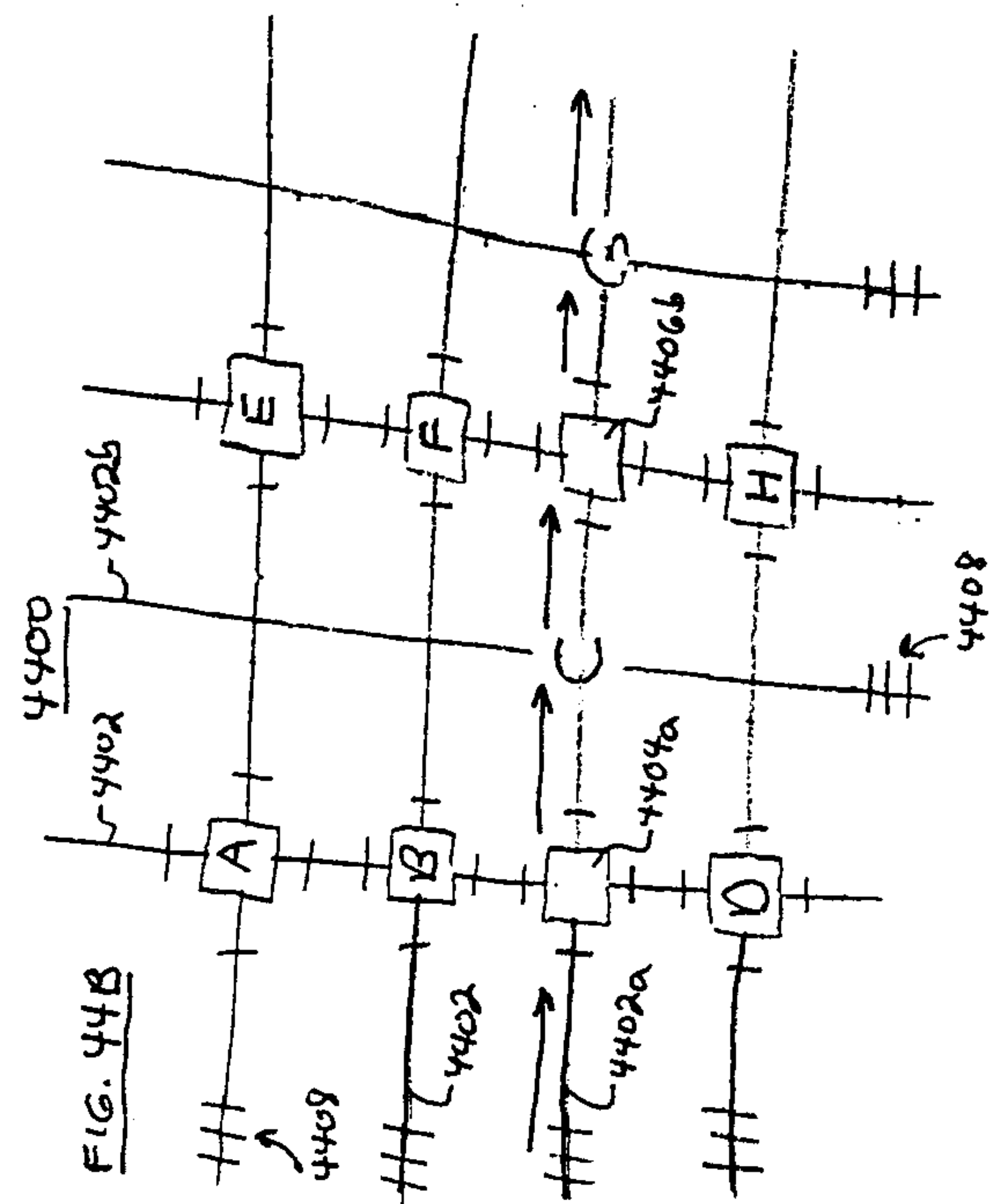
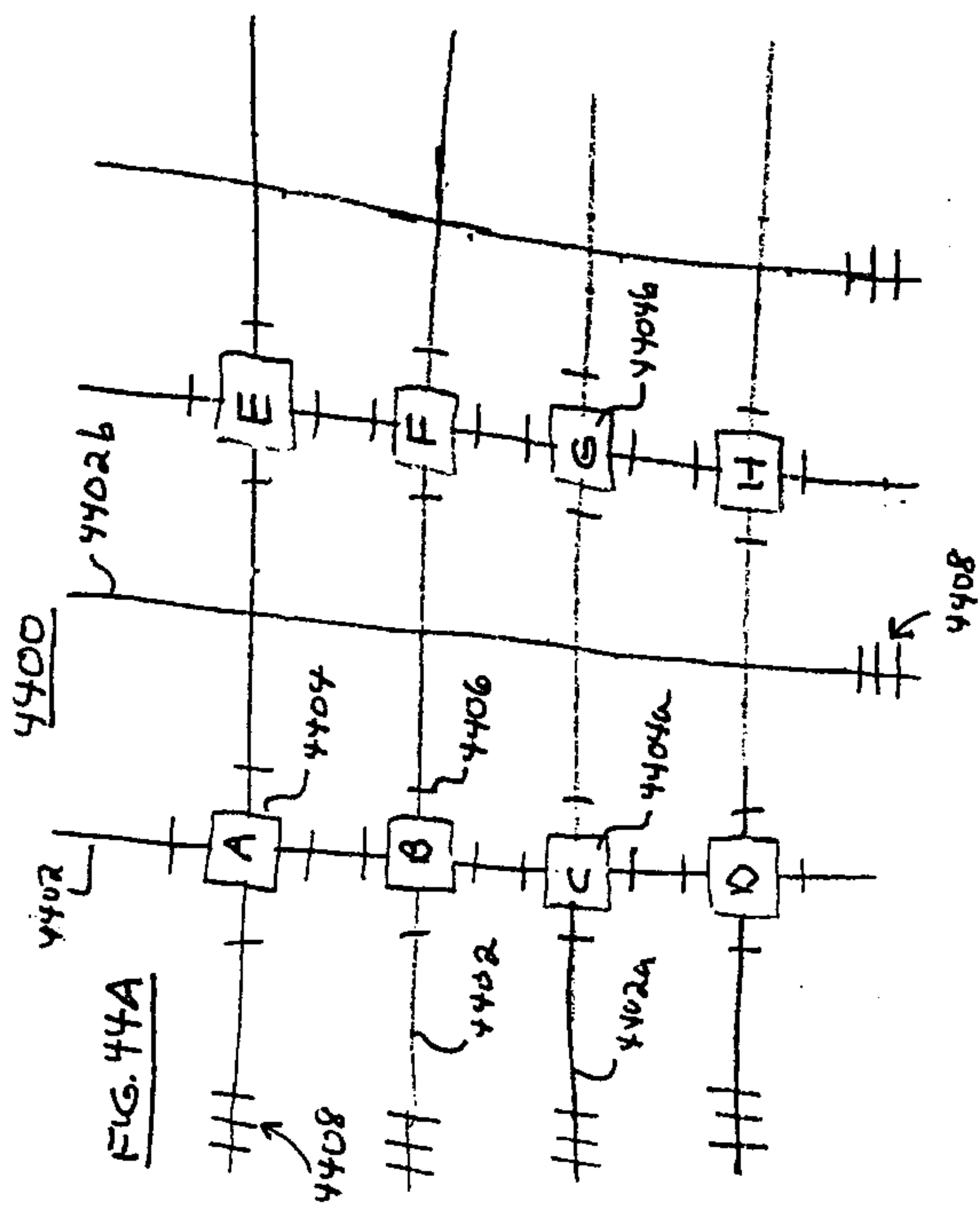
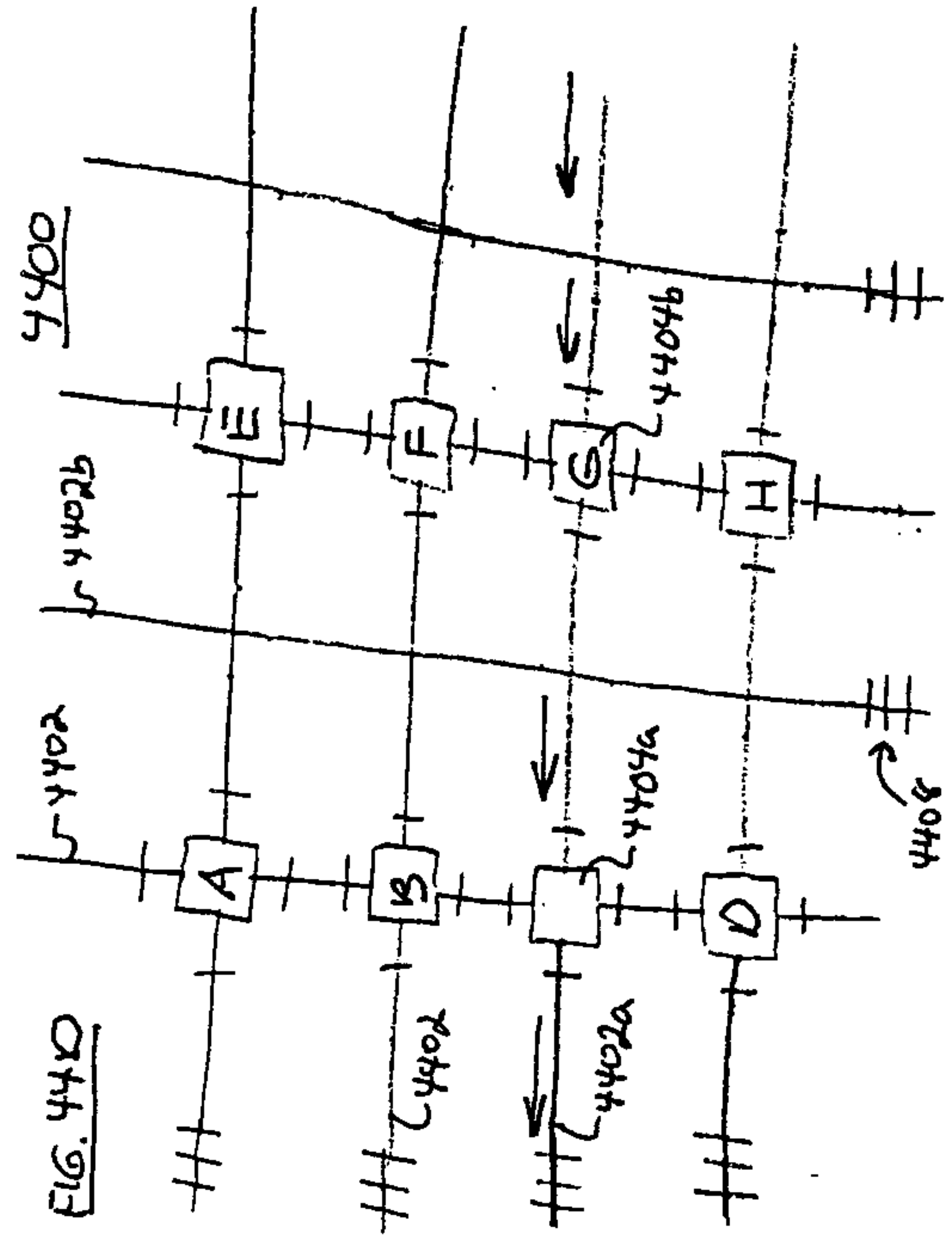
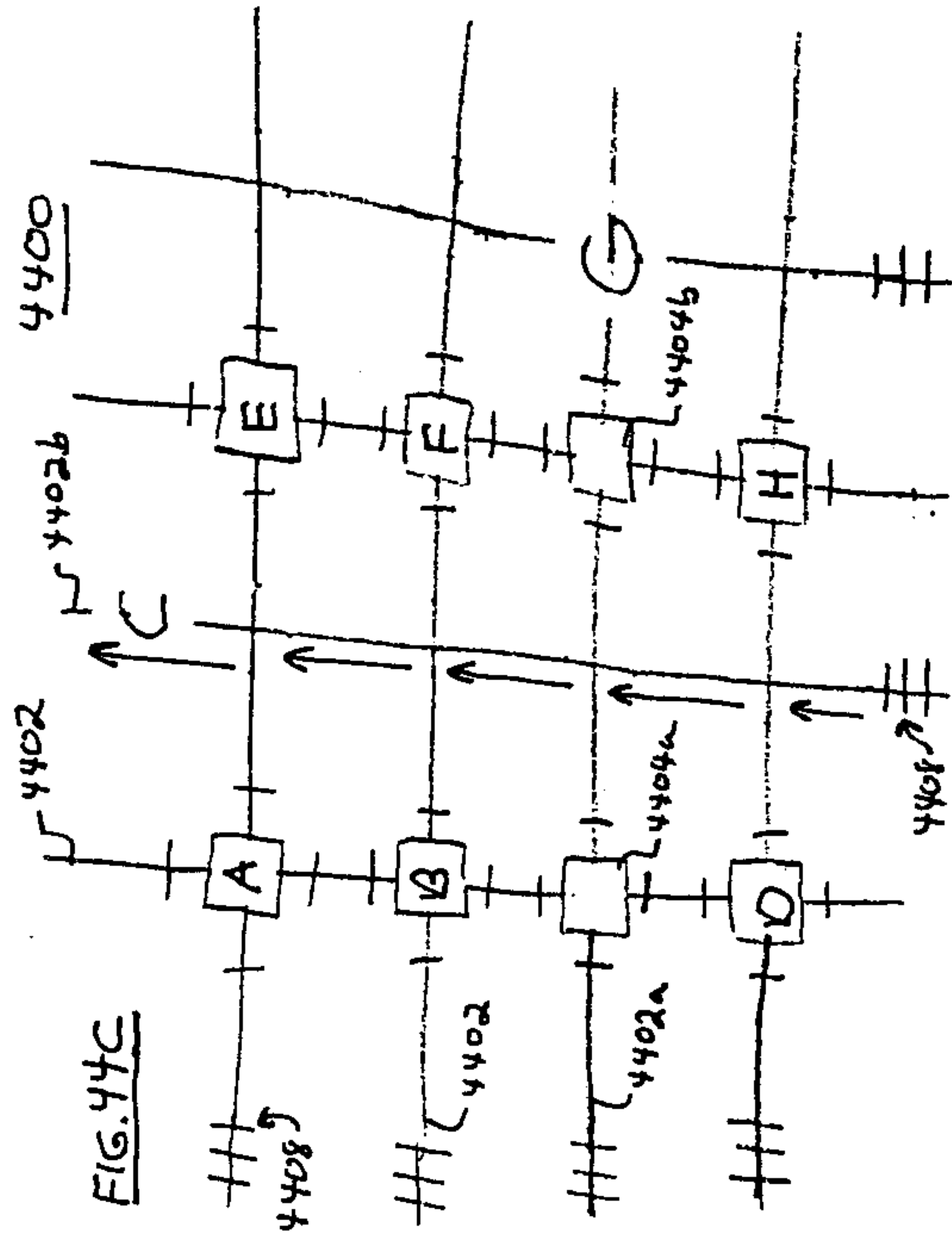
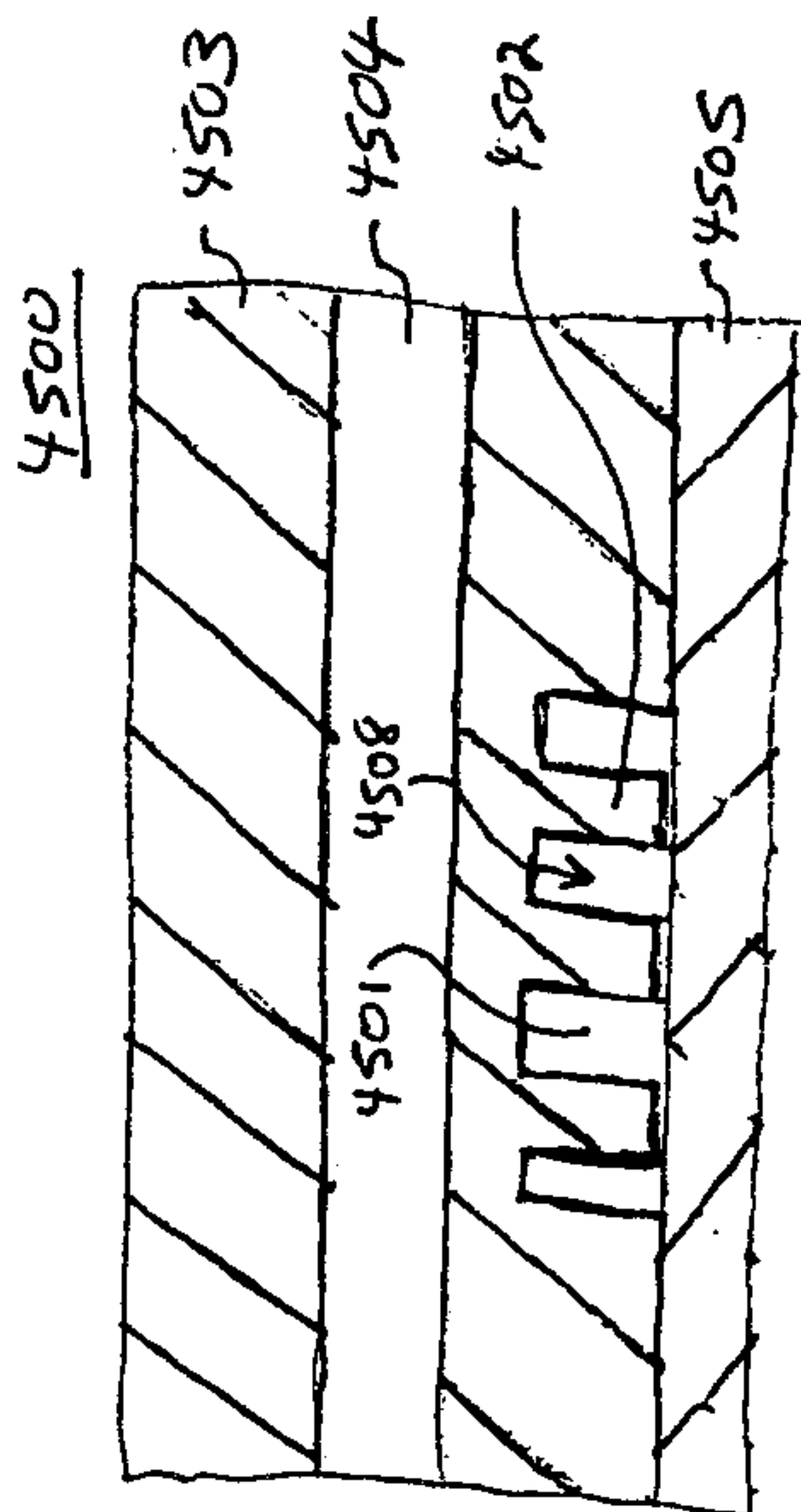
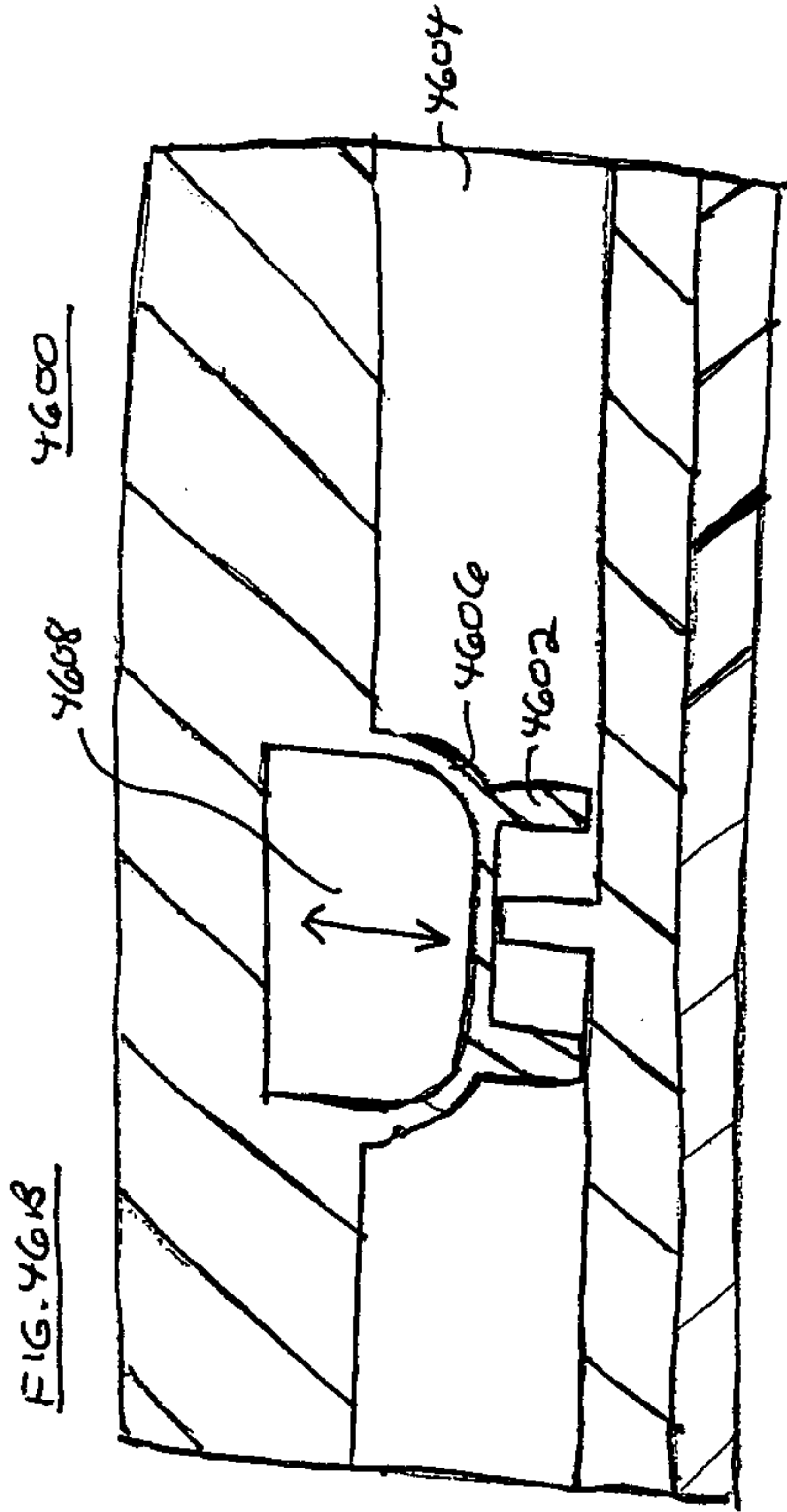
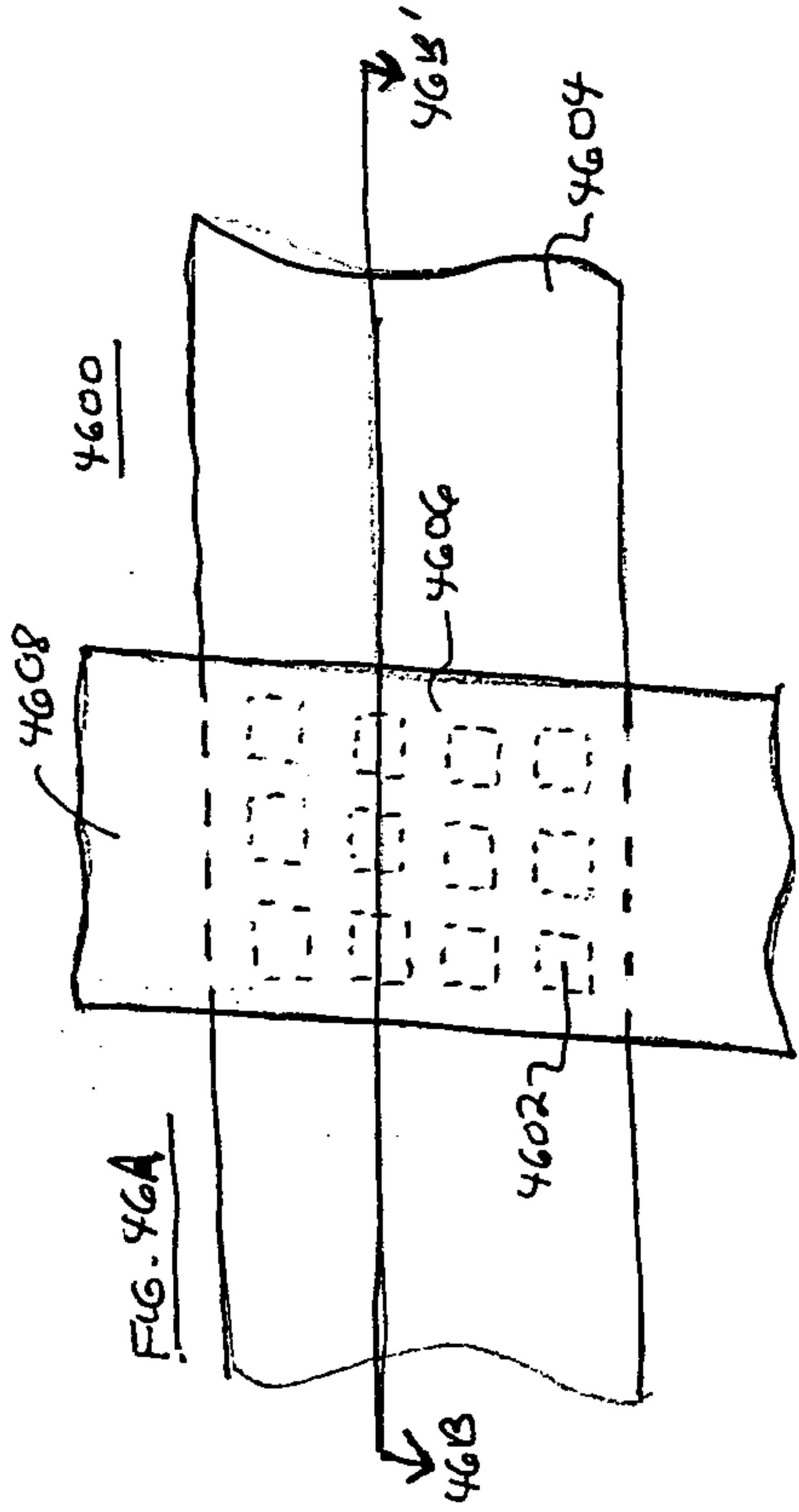
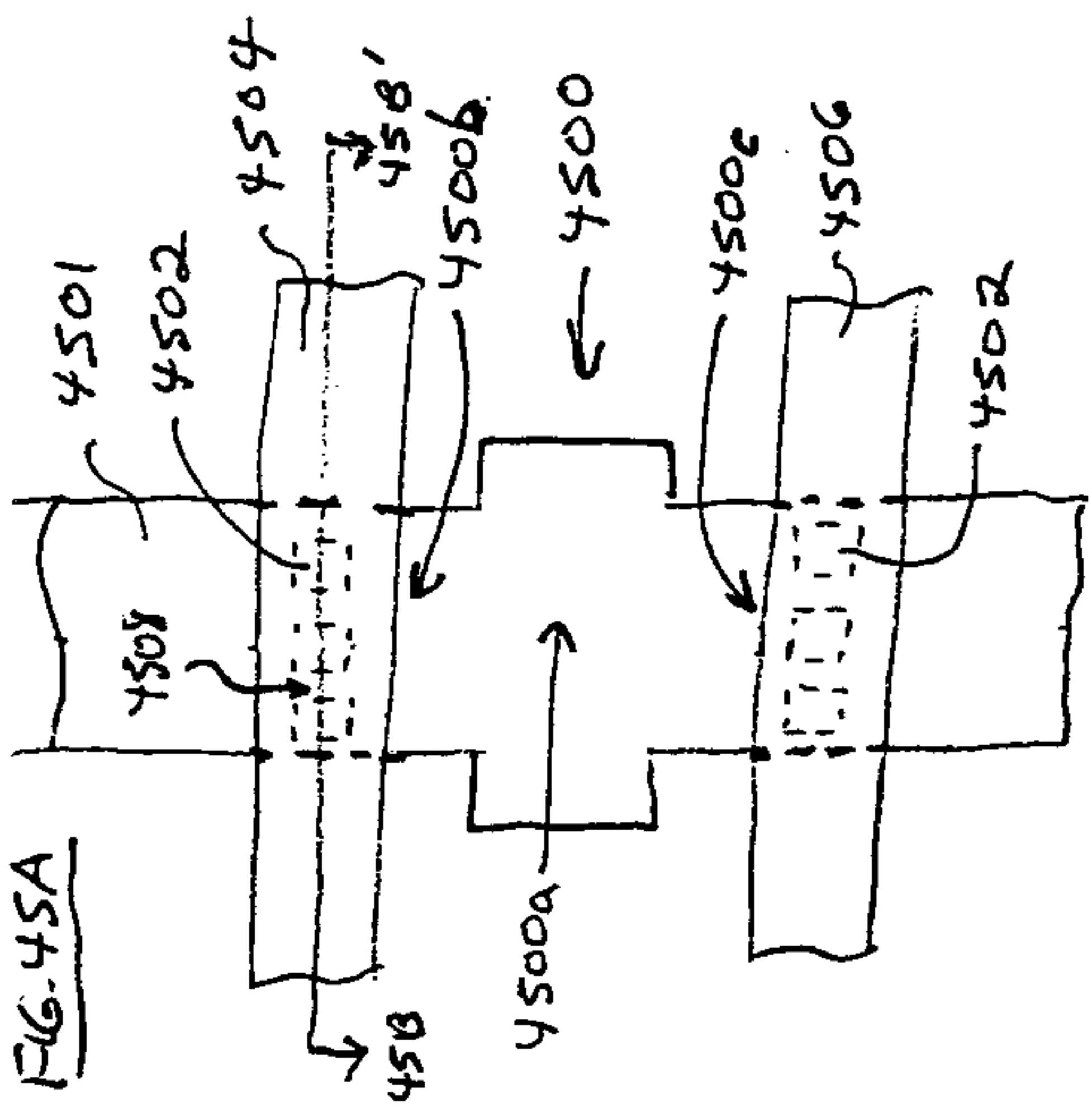


FIG. 43

36/39



37/39



38/39

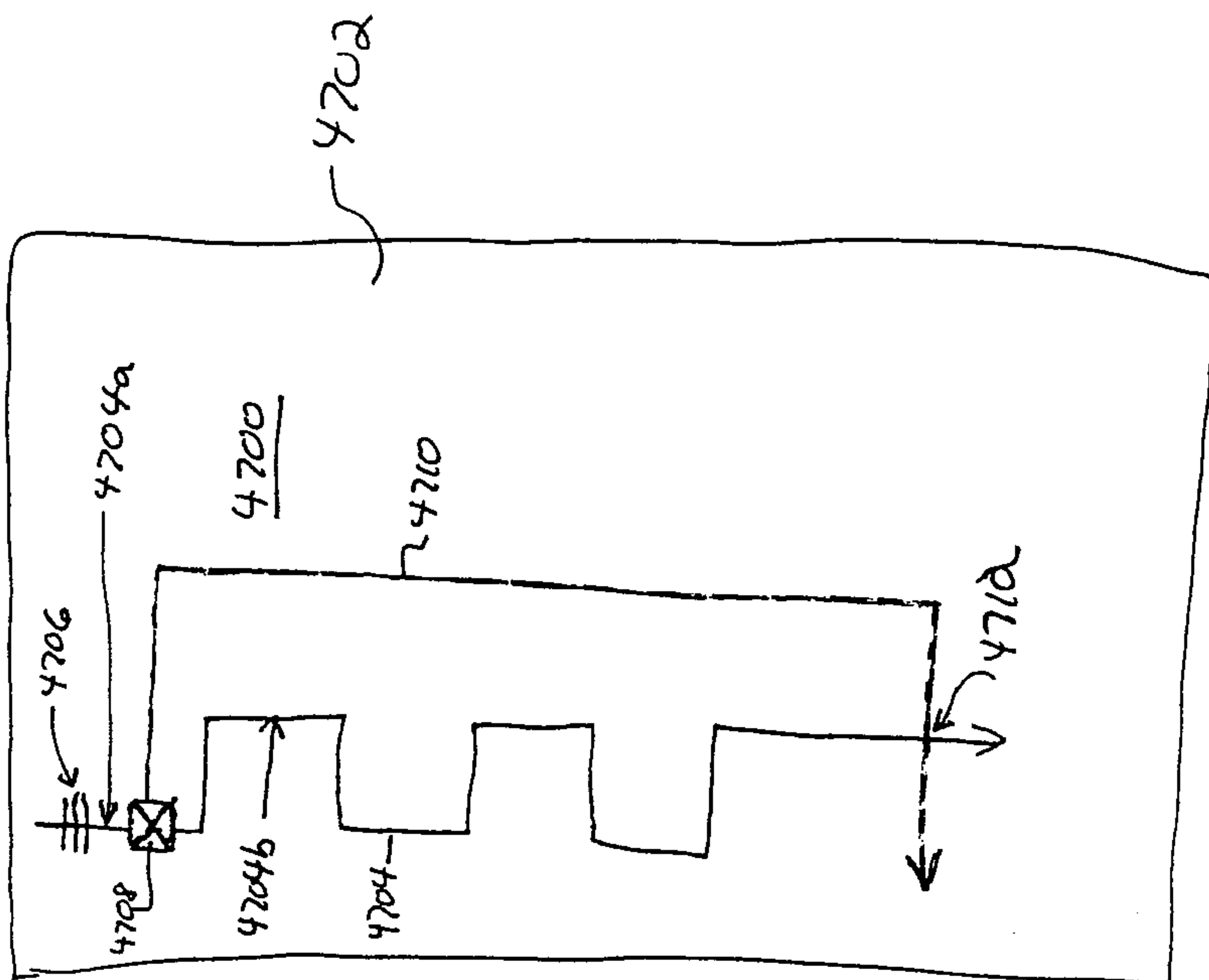
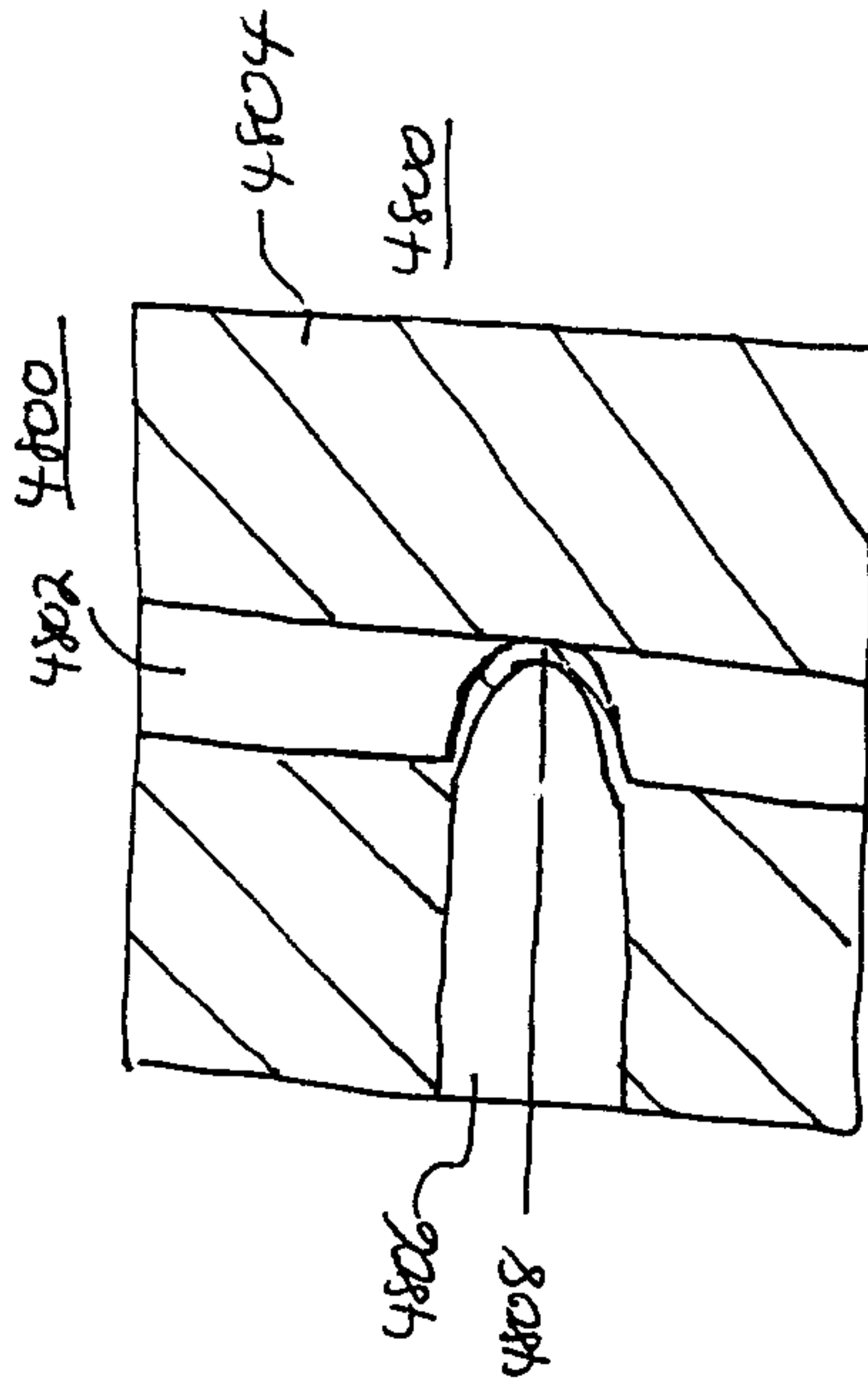
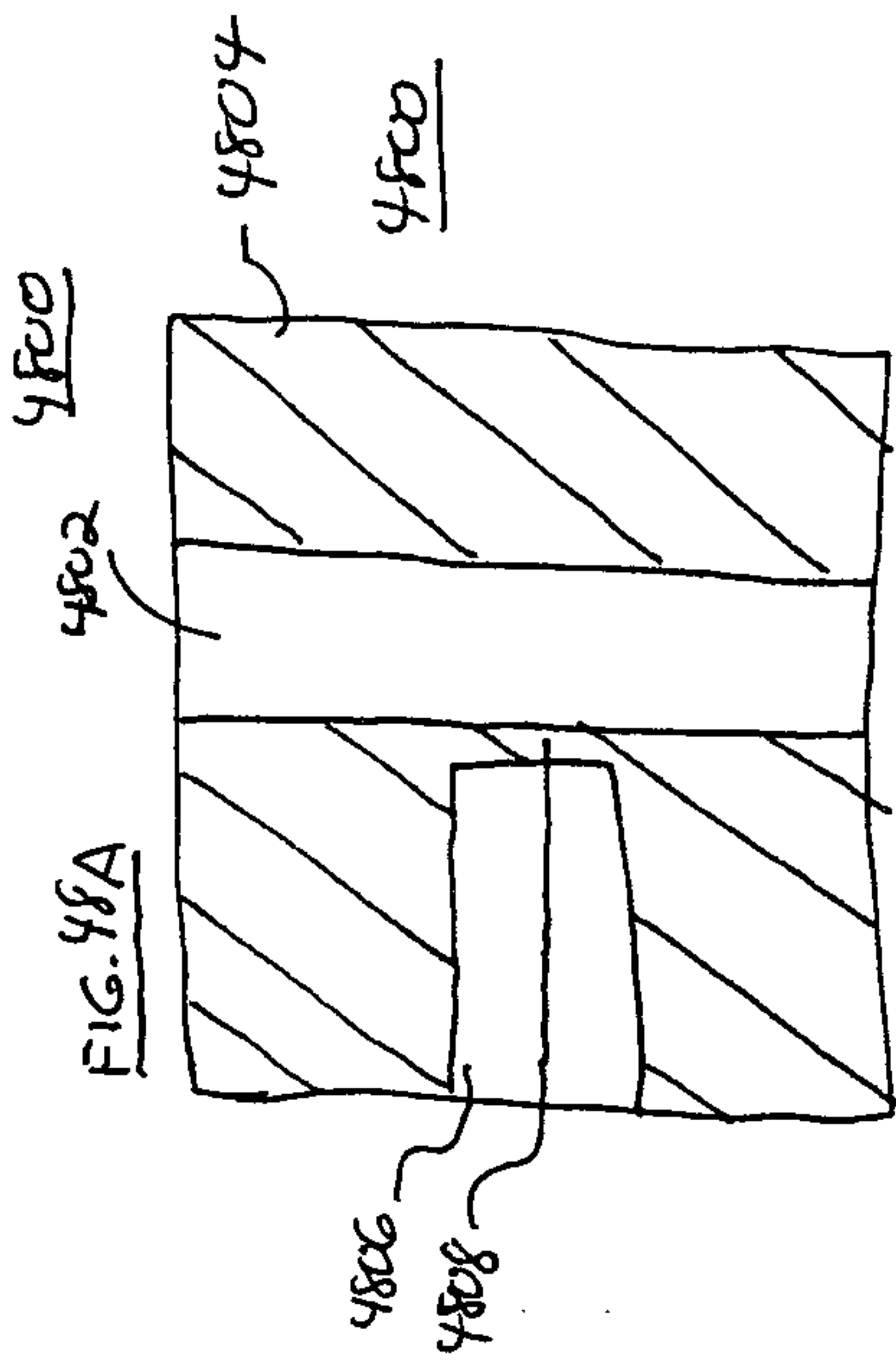


FIG. 47

FIG. 48A

FIG. 48B

39/39

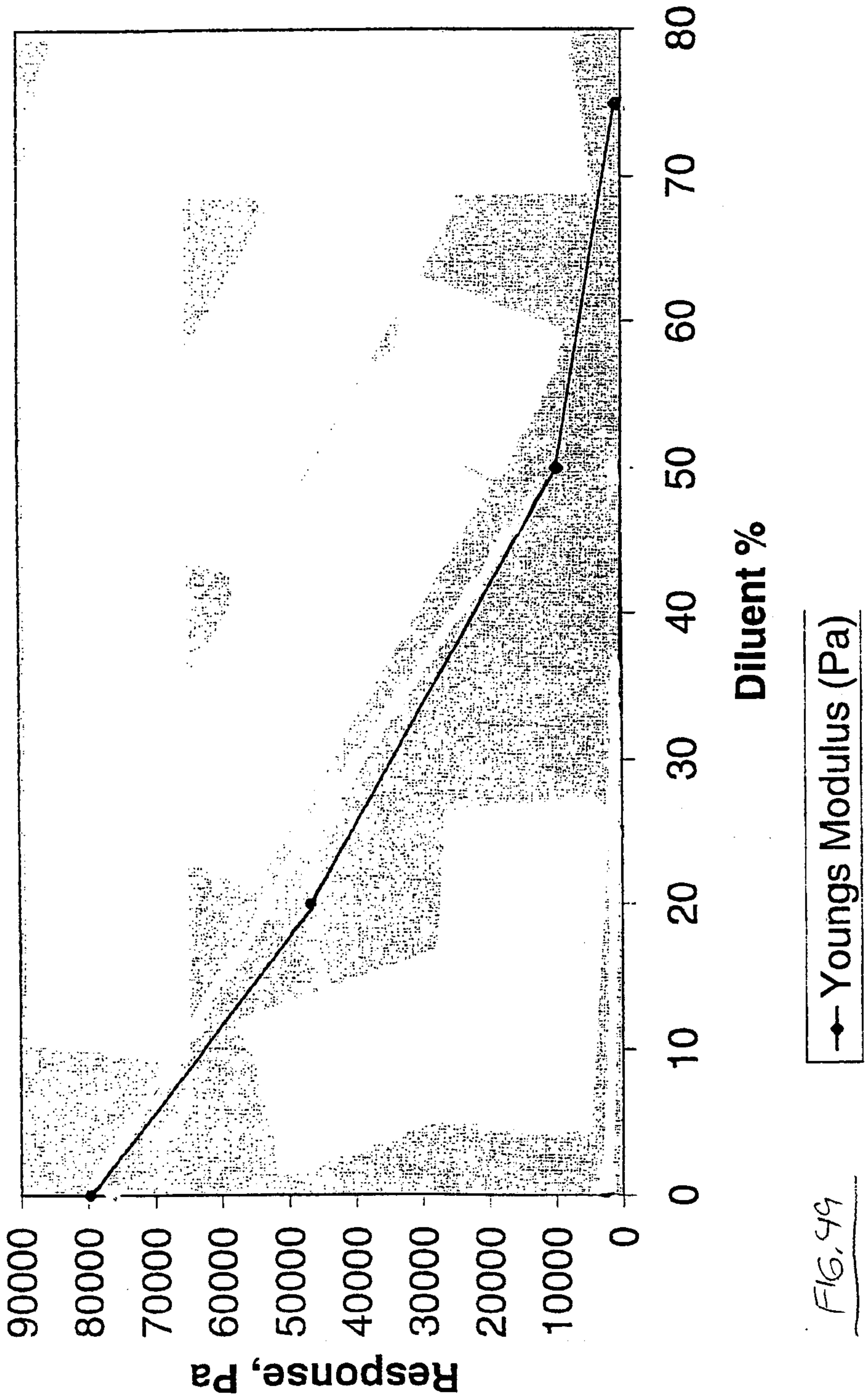
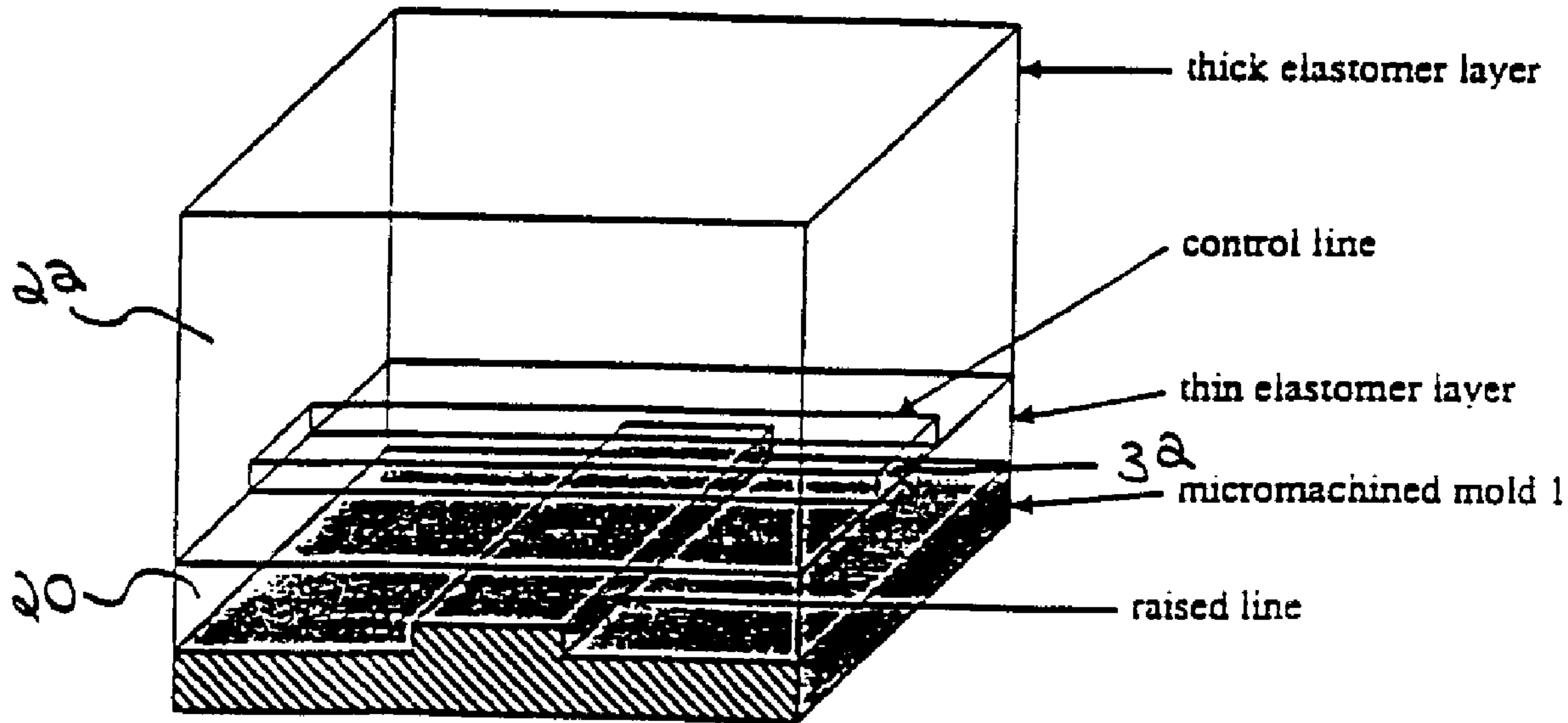


FIG. 49



↓
Bond elastomer layers