



(51) International Patent Classification:

B41J 2/435 (2006.01) B41M 5/025 (2006.01)
B41J 13/02 (2006.01) G02F 1/133 (2006.01)
B41J 2/455 (2006.01)

(21) International Application Number:

PCT/IB2008/003384

(22) International Filing Date:

5 December 2008 (05.12.2008)

(25) Filing Language:

English

(26) Publication Language:

English

(71) Applicant (for all designated States except US): **KODAK GRAPHIC COMMUNICATIONS CANADA COMPANY** [US/US]; 3700 Gilmore Way, Burnaby, BC V5G 4M1 (CA).

(72) Inventors; and

(75) Inventors/Applicants (for US only): **RARAMA, Jeremias** [CA/CA]; 15280 96 Avenue, Surrey, BC V3R 1G2 (CA). **ZAVOROTNY, Yuri** [CA/CA]; #705-720 Hamilton St., New Westminster, BC V3M 7A6 (CA). **MONTGOMERY, Darcy, Thomas** [CA/CA]; 7705 Kentwood Street, Barnaby, BC V5A 2E6 (CA).

(74) Agent: **BLISH, Nelson, A.**; Eastman Kodak Company, Intellectual Property Organization, 343 State Street, Rochester, NY 14650-2201 (US).

(81) Designated States (unless otherwise indicated, for every kind of national protection available): AE, AG, AL, AM, AO, AT, AU, AZ, BA, BB, BG, BH, BR, BW, BY, BZ, CA, CH, CN, CO, CR, CU, CZ, DE, DK, DM, DO, DZ, EC, EE, EG, ES, FI, GB, GD, GE, GH, GM, GT, HN, HR, HU, ID, IL, IN, IS, JP, KE, KG, KM, KN, KP, KR, KZ, LA, LC, LK, LR, LS, LT, LU, LY, MA, MD, ME, MG, MK, MN, MW, MX, MY, MZ, NA, NG, NI, NO, NZ, OM, PG, PH, PL, PT, RO, RS, RU, SC, SD, SE, SG, SK, SL, SM, ST, SV, SY, TJ, TM, TN, TR, TT, TZ, UA, UG, US, UZ, VC, VN, ZA, ZM, ZW.

(84) Designated States (unless otherwise indicated, for every kind of regional protection available): ARIPO (BW, GH, GM, KE, LS, MW, MZ, NA, SD, SL, SZ, TZ, UG, ZM, ZW), Eurasian (AM, AZ, BY, KG, KZ, MD, RU, TJ, TM), European (AT, BE, BG, CH, CY, CZ, DE, DK, EE, ES, FI, FR, GB, GR, HR, HU, IE, IS, IT, LT, LU, LV, MC, MT, NL, NO, PL, PT, RO, SE, SI, SK, TR), OAPI (BF, BJ, CF, CG, CI, CM, GA, GN, GQ, GW, ML, MR, NE, SN, TD, TG).

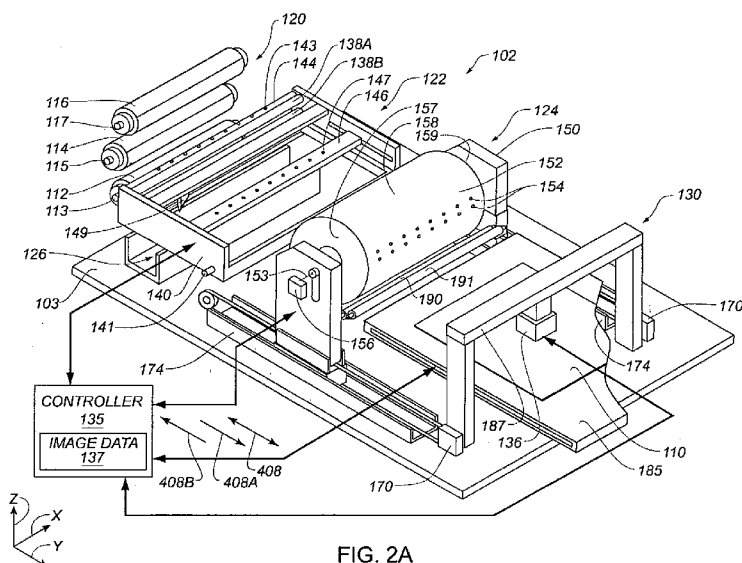
Published:

— with international search report (Art. 21(3))

(88) Date of publication of the international search report:

29 July 2010

(54) Title: IMPROVED MEDIA APPLICATION



(57) Abstract: A method and apparatus are provided which include providing a rotatable roller with a cylindrical surface adapted to wrap the donor element on the surface. A donor element is secured to the roller and a first portion of the donor element is wrapped onto the cylindrical surface while applying tension to the media. The tension is then decreased to alter a region of contact between the first portion of the donor element and the cylindrical surface. An additional portion of the donor element is then wrapped onto the cylindrical surface. The donor element is then transferred from the roller to a substrate.



INTERNATIONAL SEARCH REPORT

International application No.
PCT/IB2008/003384

<p>A. CLASSIFICATION OF SUBJECT MATTER IPC: B41J 2/435 (2006.01) , B41J 13/02 (2006.01) , B41J 2/455 (2006.01) , B41M 5/025 (2006.01) , G02F 1/133 (2006.01) According to International Patent Classification (IPC) or to both national classification and IPC</p>																
<p>B. FIELDS SEARCHED</p> <p>Minimum documentation searched (classification system followed by classification symbols) B41J All, B41M 5/025, G02F 1/133, B65H 23/00</p> <p>Documentation searched other than minimum documentation to the extent that such documents are included in the fields searched Internet searched</p> <p>Electronic database(s) consulted during the international search (name of database(s) and, where practicable, search terms used) Delphion, QPat Keywords: thermal, transfer, roller, vari*, tension, slack, loosen, wrinkle</p>																
<p>C. DOCUMENTS CONSIDERED TO BE RELEVANT</p> <table border="1" style="width:100%; border-collapse: collapse;"> <thead> <tr> <th style="width:10%;">Category*</th> <th style="width:60%;">Citation of document, with indication, where appropriate, of the relevant passages</th> <th style="width:30%;">Relevant to claim No.</th> </tr> </thead> <tbody> <tr> <td align="center">Y</td> <td>EP 0461467 A2 (SHIMIZU, Y.) 18 December 1991 (18-12-1991) See whole document</td> <td align="center">23-28, 30, 31, 33-36, 39, 48</td> </tr> <tr> <td align="center">Y</td> <td>JP56108654 A (TAKUMA et al.) 28 August 1981 (28-08-1981) Abstract</td> <td align="center">23-28, 30, 31, 33-36, 39, 48</td> </tr> <tr> <td align="center">A</td> <td>WALLER, P., "A Practical Guide to Eliminating Wrinkles in Film Extrusion", Resin to Revenue Confrence, 23 January, 2008. Plastics Touchpoint Group Inc.</td> <td align="center">1-48</td> </tr> <tr> <td align="center">A</td> <td>JP2002019247 A (KOICHI) 23 January 2002 (23-01-2002) Abstract</td> <td align="center">1-48</td> </tr> </tbody> </table>		Category*	Citation of document, with indication, where appropriate, of the relevant passages	Relevant to claim No.	Y	EP 0461467 A2 (SHIMIZU, Y.) 18 December 1991 (18-12-1991) See whole document	23-28, 30, 31, 33-36, 39, 48	Y	JP56108654 A (TAKUMA et al.) 28 August 1981 (28-08-1981) Abstract	23-28, 30, 31, 33-36, 39, 48	A	WALLER, P., "A Practical Guide to Eliminating Wrinkles in Film Extrusion", Resin to Revenue Confrence, 23 January, 2008. Plastics Touchpoint Group Inc.	1-48	A	JP2002019247 A (KOICHI) 23 January 2002 (23-01-2002) Abstract	1-48
Category*	Citation of document, with indication, where appropriate, of the relevant passages	Relevant to claim No.														
Y	EP 0461467 A2 (SHIMIZU, Y.) 18 December 1991 (18-12-1991) See whole document	23-28, 30, 31, 33-36, 39, 48														
Y	JP56108654 A (TAKUMA et al.) 28 August 1981 (28-08-1981) Abstract	23-28, 30, 31, 33-36, 39, 48														
A	WALLER, P., "A Practical Guide to Eliminating Wrinkles in Film Extrusion", Resin to Revenue Confrence, 23 January, 2008. Plastics Touchpoint Group Inc.	1-48														
A	JP2002019247 A (KOICHI) 23 January 2002 (23-01-2002) Abstract	1-48														
<p><input type="checkbox"/> Further documents are listed in the continuation of Box C. <input checked="" type="checkbox"/> See patent family annex.</p>																
<table border="0" style="width:100%;"> <tr> <td style="width:50%; vertical-align: top;"> <p>* Special categories of cited documents :</p> <p>"A" document defining the general state of the art which is not considered to be of particular relevance</p> <p>"E" earlier application or patent but published on or after the international filing date</p> <p>"L" document which may throw doubts on priority claim(s) or which is cited to establish the publication date of another citation or other special reason (as specified)</p> <p>"O" document referring to an oral disclosure, use, exhibition or other means</p> <p>"P" document published prior to the international filing date but later than the priority date claimed</p> </td> <td style="width:50%; vertical-align: top;"> <p>"T" later document published after the international filing date or priority date and not in conflict with the application but cited to understand the principle or theory underlying the invention</p> <p>"X" document of particular relevance; the claimed invention cannot be considered novel or cannot be considered to involve an inventive step when the document is taken alone</p> <p>"Y" document of particular relevance; the claimed invention cannot be considered to involve an inventive step when the document is combined with one or more other such documents, such combination being obvious to a person skilled in the art</p> <p>"&" document member of the same patent family</p> </td> </tr> </table>		<p>* Special categories of cited documents :</p> <p>"A" document defining the general state of the art which is not considered to be of particular relevance</p> <p>"E" earlier application or patent but published on or after the international filing date</p> <p>"L" document which may throw doubts on priority claim(s) or which is cited to establish the publication date of another citation or other special reason (as specified)</p> <p>"O" document referring to an oral disclosure, use, exhibition or other means</p> <p>"P" document published prior to the international filing date but later than the priority date claimed</p>	<p>"T" later document published after the international filing date or priority date and not in conflict with the application but cited to understand the principle or theory underlying the invention</p> <p>"X" document of particular relevance; the claimed invention cannot be considered novel or cannot be considered to involve an inventive step when the document is taken alone</p> <p>"Y" document of particular relevance; the claimed invention cannot be considered to involve an inventive step when the document is combined with one or more other such documents, such combination being obvious to a person skilled in the art</p> <p>"&" document member of the same patent family</p>													
<p>* Special categories of cited documents :</p> <p>"A" document defining the general state of the art which is not considered to be of particular relevance</p> <p>"E" earlier application or patent but published on or after the international filing date</p> <p>"L" document which may throw doubts on priority claim(s) or which is cited to establish the publication date of another citation or other special reason (as specified)</p> <p>"O" document referring to an oral disclosure, use, exhibition or other means</p> <p>"P" document published prior to the international filing date but later than the priority date claimed</p>	<p>"T" later document published after the international filing date or priority date and not in conflict with the application but cited to understand the principle or theory underlying the invention</p> <p>"X" document of particular relevance; the claimed invention cannot be considered novel or cannot be considered to involve an inventive step when the document is taken alone</p> <p>"Y" document of particular relevance; the claimed invention cannot be considered to involve an inventive step when the document is combined with one or more other such documents, such combination being obvious to a person skilled in the art</p> <p>"&" document member of the same patent family</p>															
<p>Date of the actual completion of the international search</p> <p>1 September 2009 (01-09-2009)</p>	<p>Date of mailing of the international search report</p> <p>3 September 2009 (03-09-2009)</p>															
<p>Name and mailing address of the ISA/CA</p> <p>Canadian Intellectual Property Office Place du Portage I, C114 - 1st Floor, Box PCT 50 Victoria Street Gatineau, Quebec K1A 0C9 Facsimile No.: 001-819-953-2476</p>	<p>Authorized officer</p> <p>Victoria Dempster 819- 934-4272</p>															

INTERNATIONAL SEARCH REPORT
Information on patent family members

International application No.
PCT/IB2008/003384

Patent Document Cited in Search Report	Publication Date	Patent Family Member(s)	Publication Date
EP 0461467A2	18-12-1991	EP 0461467A3 JP 2519820B2 JP 4047962A US 5223854A	09-09-1992 31-07-1996 18-02-1992 29-06-1993
JP 56108654A	28-08-1981	JP 1278323C JP 60001258B	29-08-1985 12-01-1985
JP 2002019247A	23-01-2002	None	