



US00D365864S

United States Patent [19]
Sturm

[11] **Patent Number:** **Des. 365,864**
[45] **Date of Patent:** ****Jan. 2, 1996**

[54] **GOLF PUTTER HEAD**

[76] **Inventor:** **Ernst F. Sturm**, 9612 Magnolia Drive,
Hillsboro, Mo. 63050

[**] **Term:** **14 Years**

[21] **Appl. No.:** **32,929**

[22] **Filed:** **Jan. 3, 1995**

Related U.S. Application Data

[63] Continuation-in-part of Ser. No. 16,203, Dec. 10, 1993.
[52] **U.S. Cl.** **D21/219**
[58] **Field of Search** D21/217-219;
273/167-175

[56] **References Cited**

U.S. PATENT DOCUMENTS

D. 318,089 7/1991 Antonious D21/219
D. 342,558 12/1993 Diesterleft D21/219

OTHER PUBLICATIONS

Golf Day; Summer 91; p. 26; #3 putter, bottom left of page.

Primary Examiner—Ted Shooman
Assistant Examiner—Mitchell I. Siegel
Attorney, Agent, or Firm—Henry W. Cummings

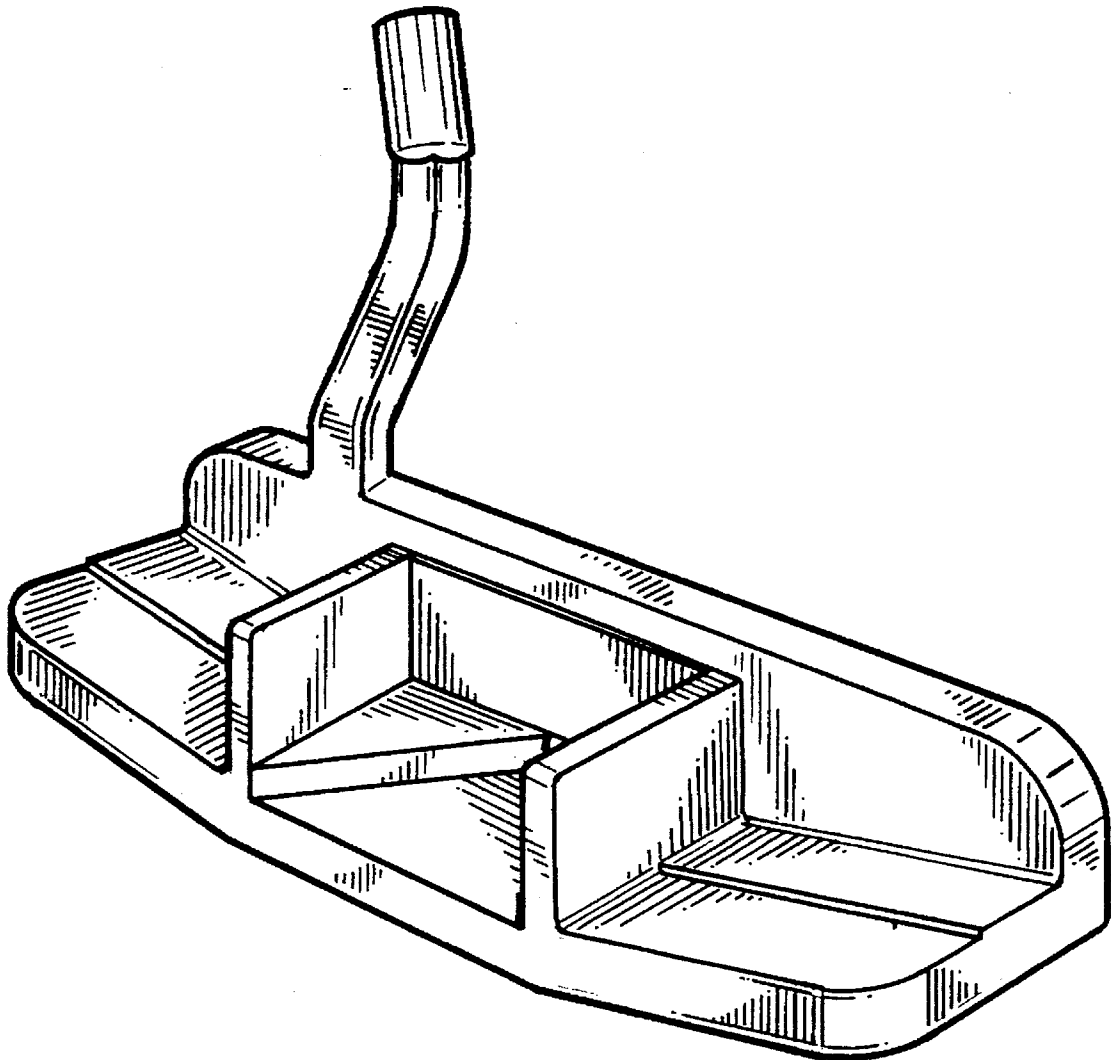
[57] **CLAIM**

The ornamental design for a golf putter head, as shown and described.

DESCRIPTION

FIG. 1 is a front perspective view of a golf putter head showing my new design;
FIG. 2 is a bottom perspective view thereof;
FIG. 3 is a top plan view thereof;
FIG. 4 is a left side elevational view thereof; and,
FIG. 5 is a front elevational view thereof.

1 Claim, 2 Drawing Sheets



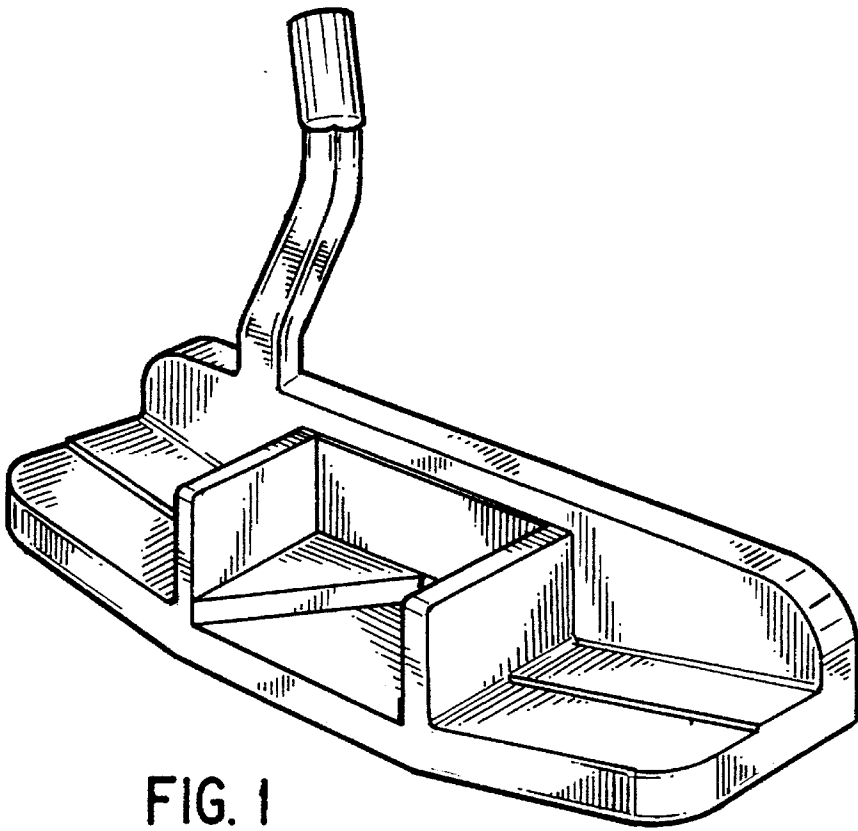


FIG. 1

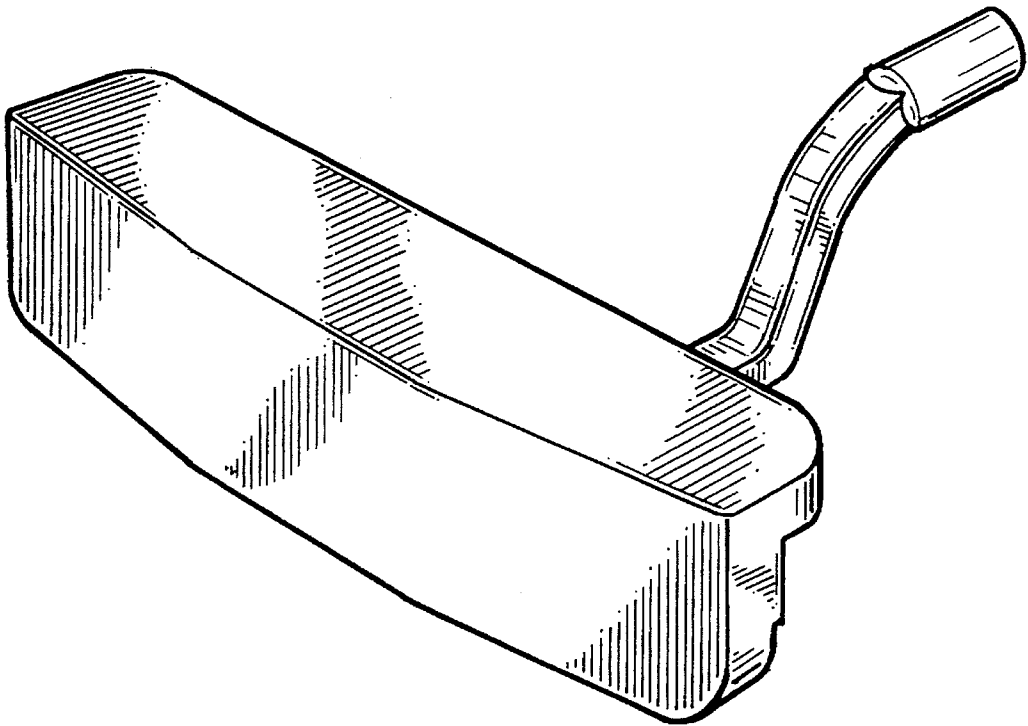


FIG. 2

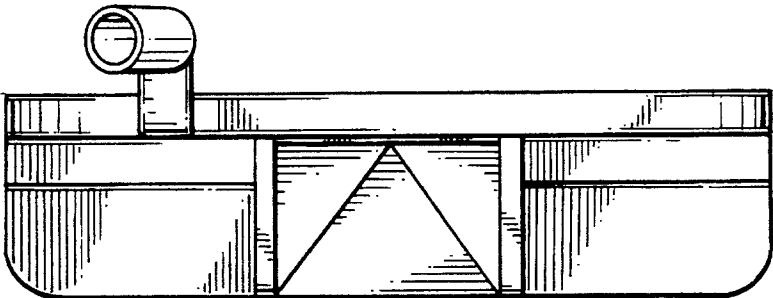


FIG. 3

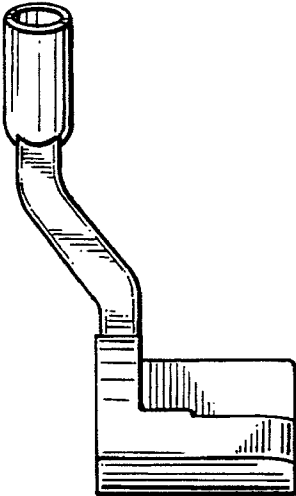


FIG. 4

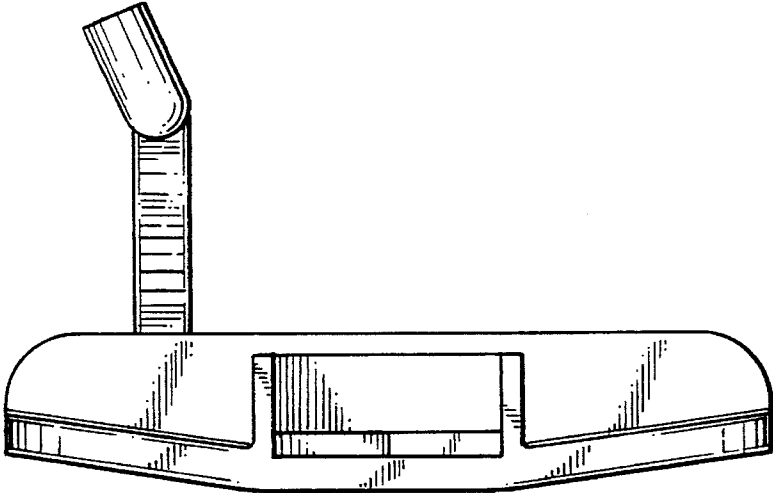


FIG. 5