



US00D781049S

(12) **United States Design Patent**
Kemp et al.

(10) **Patent No.:** **US D781,049 S**

(45) **Date of Patent:** **** Mar. 14, 2017**

- (54) **BACKPACK**
- (71) Applicant: **Thule IP AB**, Malmö (SE)
- (72) Inventors: **Matthew Kemp**, Sheffield (GB);
Henrik Kax, Stockholm (SE); **Tim Fish**, Sheffield (GB)
- (73) Assignee: **Thule IP AB**, Malmö (SE)
- (**) Term: **14 Years**
- (21) Appl. No.: **29/496,133**
- (22) Filed: **Jul. 9, 2014**
- (51) **LOC (10) Cl.** **03-01**
- (52) **U.S. Cl.**
USPC **D3/216**
- (58) **Field of Classification Search**
USPC D3/215–217, 273, 289, 290, 318, 321,
D3/322, 323; D14/217, 250, 251
CPC A45F 3/04; A45F 3/042; A45F 3/08; A45F
3/10; A45F 3/14; A45F 4/02; A45F 4/08;
A45F 2200/05; A45F 2200/0525; A45C
13/08; A45C 13/083
See application file for complete search history.

D651,201 S *	12/2011	Fathollahi	D14/250
D681,613 S *	5/2013	Magness	D14/238.1
D681,623 S *	5/2013	Chang	D14/250
D699,942 S *	2/2014	Mather	D3/216
D699,943 S *	2/2014	Mather	D3/216
D699,944 S *	2/2014	Mather	D3/216
D702,672 S *	4/2014	Mather	D14/250
D703,647 S *	4/2014	Kim	D14/250
D706,534 S *	6/2014	Zwetzig	D3/216
D708,845 S *	7/2014	Taylor	D3/216
D709,058 S *	7/2014	Hemesath	D14/250
D709,486 S *	7/2014	Lin	D14/250
D709,689 S *	7/2014	Brunazzi	D3/217
D711,864 S *	8/2014	Poon	D14/250
D716,285 S *	10/2014	Chaney	D14/250
D719,949 S *	12/2014	Tussy	D14/250
D721,692 S *	1/2015	Kim	D14/250

* cited by examiner

Primary Examiner — John Windmuller

Assistant Examiner — Steven Czyz

(74) *Attorney, Agent, or Firm* — Sheridan Ross P.C.

(57) **CLAIM**

The ornamental design for a backpack, as shown and described.

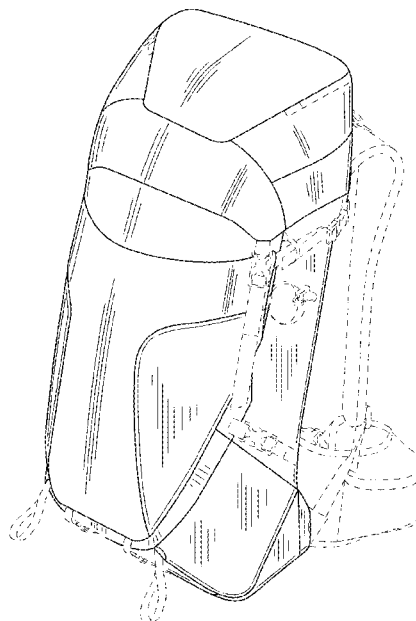
DESCRIPTION

FIG. 1 is a front perspective view of the backpack;
 FIG. 2 is a front elevation view thereof;
 FIG. 3 is a rear elevation view thereof;
 FIG. 4 is a right elevation view thereof;
 FIG. 5 is a left elevation view thereof;
 FIG. 6 is a top plan view thereof; and,
 FIG. 7 is a bottom plan view thereof.
 The broken lines depict portions of the article that form no part of the claimed design.

1 Claim, 7 Drawing Sheets

(56) **References Cited**
U.S. PATENT DOCUMENTS

D485,678 S *	1/2004	Haro	D3/216
D517,320 S *	3/2006	Shor	D3/321
D591,952 S *	5/2009	Chu	D3/322
D600,007 S *	9/2009	Levis	D3/218
D610,797 S *	3/2010	Shor	D3/216
D613,497 S *	4/2010	Pho	D3/216
D622,500 S *	8/2010	Pho	D3/216
D623,639 S *	9/2010	Richardson	D14/250
D641,973 S *	7/2011	Quehl	D3/217



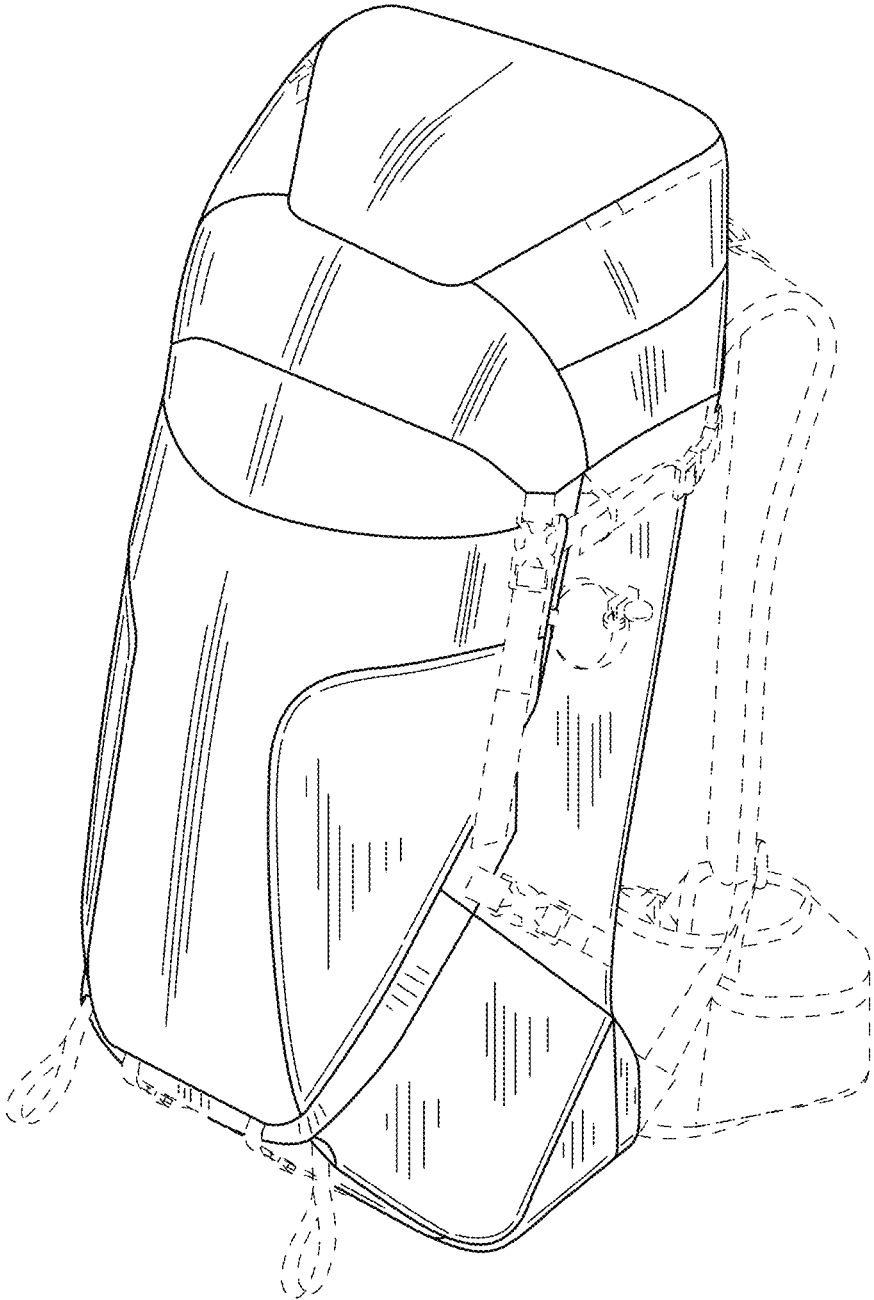


FIG.1

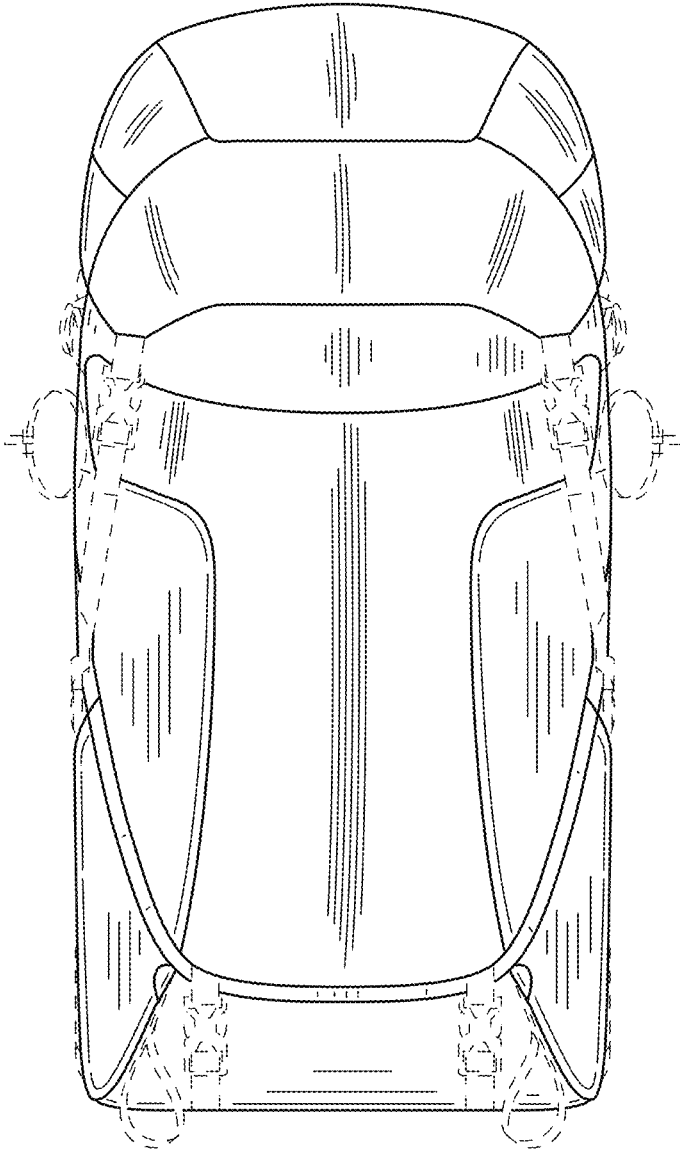


FIG.2

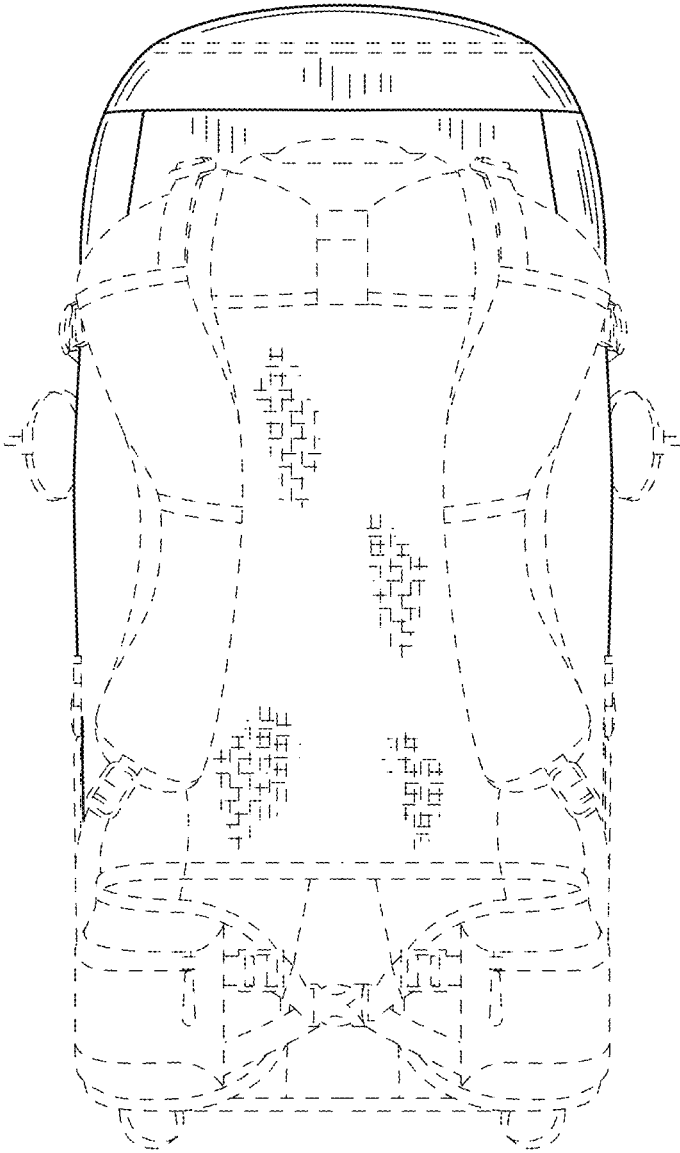


FIG.3

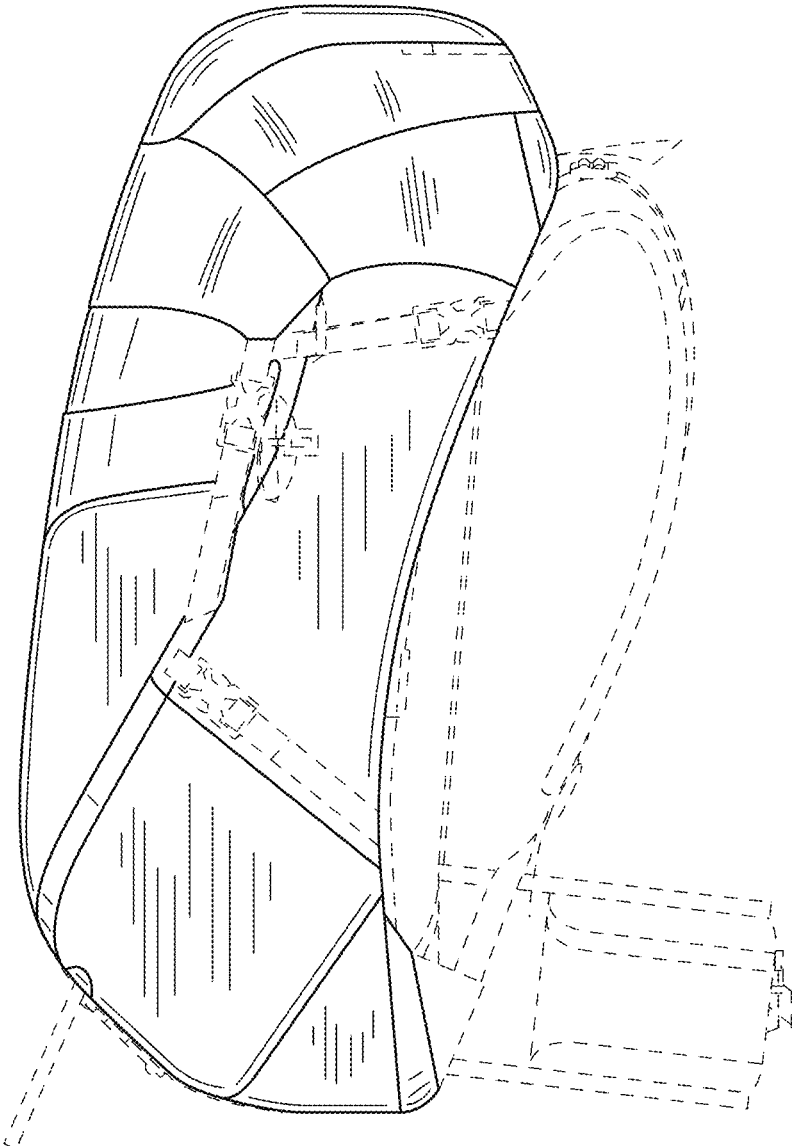


FIG.4

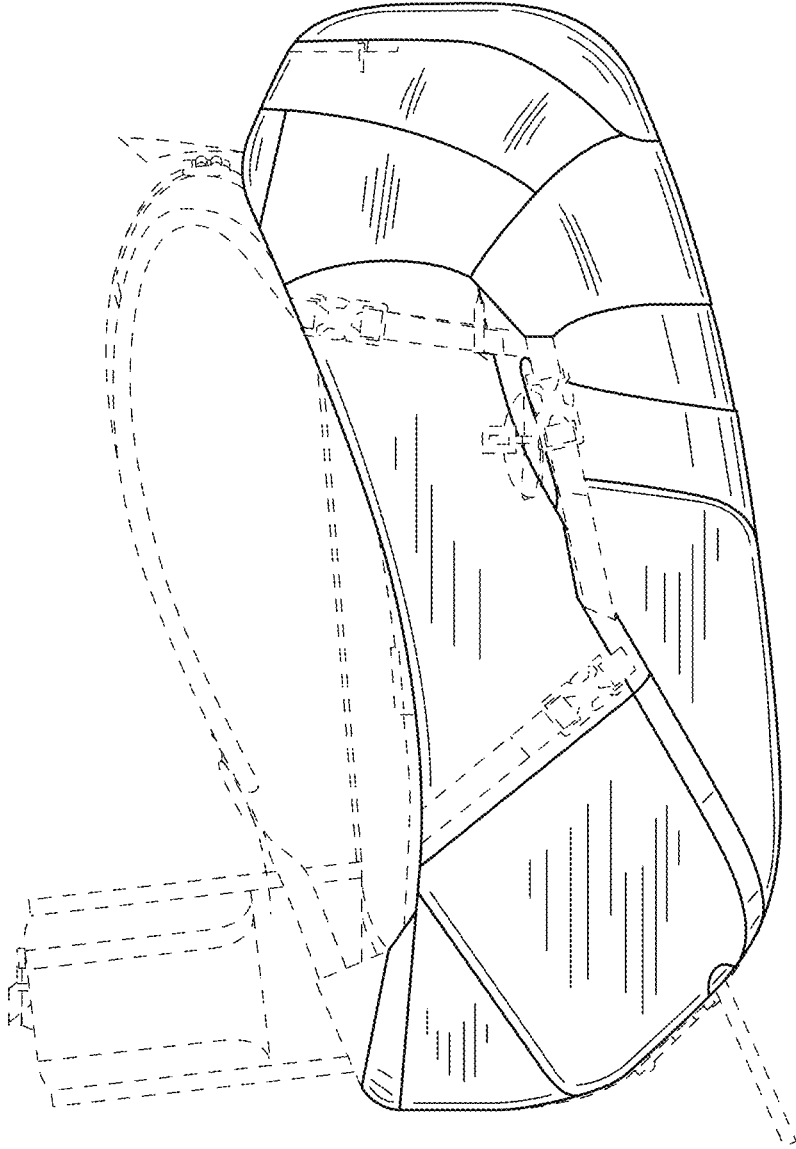


FIG.5

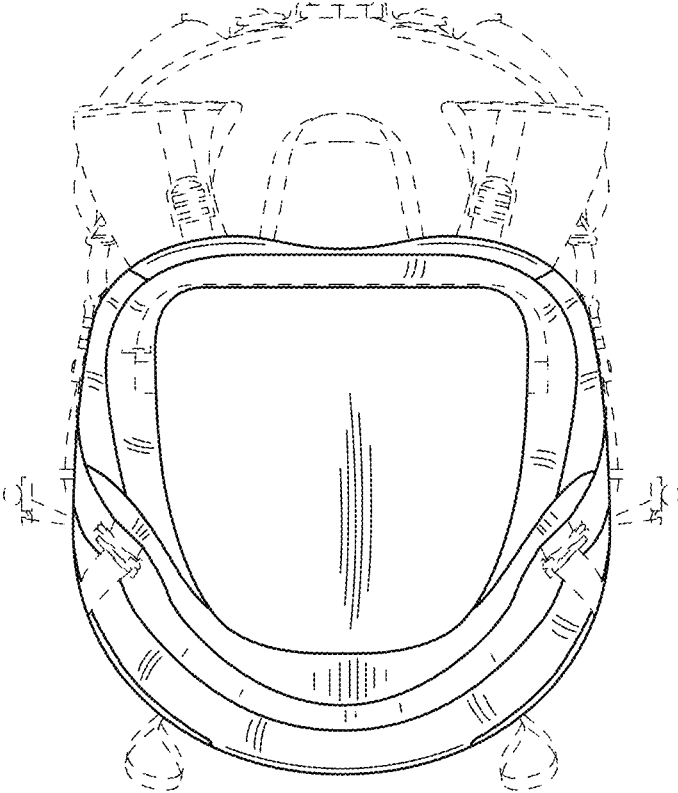


FIG.6

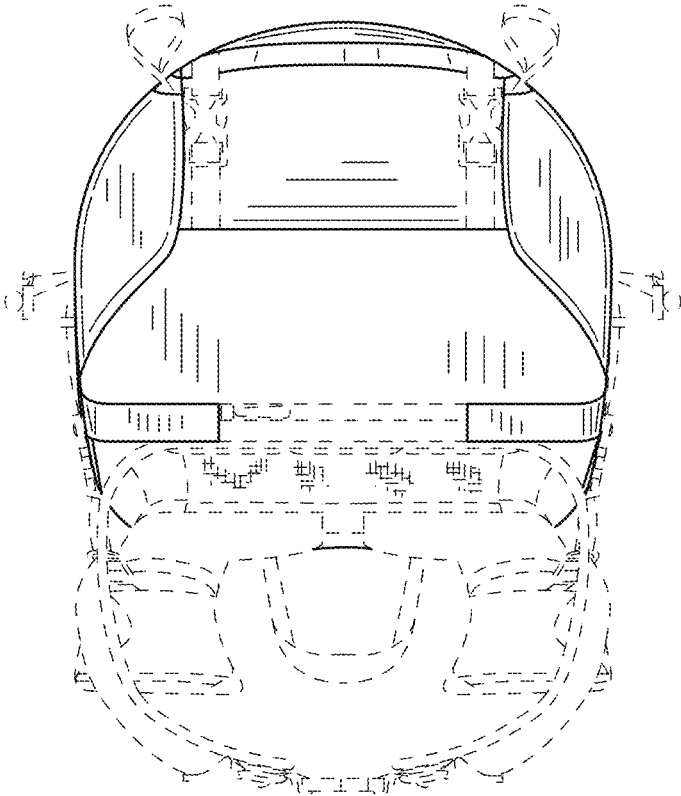


FIG.7