

(19) World Intellectual Property Organization  
International Bureau



(43) International Publication Date  
22 June 2006 (22.06.2006)

PCT

(10) International Publication Number  
WO 2006/065954 A3

- (51) International Patent Classification:  
A63B 21/062 (2006.01) A63B 21/078 (2006.01)  
A63B 21/06 (2006.01)
- (21) International Application Number:  
PCT/US2005/045350
- (22) International Filing Date:  
14 December 2005 (14.12.2005)
- (25) Filing Language: English
- (26) Publication Language: English
- (30) Priority Data:  
60/635,884 14 December 2004 (14.12.2004) US  
11/301,395 13 December 2005 (13.12.2005) US
- (71) Applicant and
- (72) Inventor: KRULL, Mark, A. [US/US]; P.O. Box 7198,  
Bend, OR 97708 (US).
- (74) Agents: DURBIN, Gregory, P. et al.; Dorsey & Whitney  
LLP, Suite 4700, 370 17th Street, Denver, CO 80202 (US).
- (81) Designated States (unless otherwise indicated, for every  
kind of national protection available): AE, AG, AL, AM,  
AT, AU, AZ, BA, BB, BG, BR, BW, BY, BZ, CA, CH, CN,  
CO, CR, CU, CZ, DE, DK, DM, DZ, EC, EE, EG, ES, FI,  
GB, GD, GE, GH, GM, HR, HU, ID, IL, IN, IS, JP, KE,

KG, KM, KN, KP, KR, KZ, LC, LK, LR, LS, LT, LU, LV,  
LY, MA, MD, MG, MK, MN, MW, MX, MZ, NA, NG, NI,  
NO, NZ, OM, PG, PH, PL, PT, RO, RU, SC, SD, SE, SG,  
SK, SL, SM, SY, TJ, TM, TN, TR, TT, TZ, UA, UG, US,  
UZ, VC, VN, YU, ZA, ZM, ZW.

- (84) Designated States (unless otherwise indicated, for every  
kind of regional protection available): ARIPO (BW, GH,  
GM, KE, LS, MW, MZ, NA, SD, SL, SZ, TZ, UG, ZM,  
ZW), Eurasian (AM, AZ, BY, KG, KZ, MD, RU, TJ, TM),  
European (AT, BE, BG, CH, CY, CZ, DE, DK, EE, ES, FI,  
FR, GB, GR, HU, IE, IS, IT, LT, LU, LV, MC, NL, PL, PT,  
RO, SE, SI, SK, TR), OAPI (BF, BJ, CF, CG, CI, CM, GA,  
GN, GQ, GW, ML, MR, NE, SN, TD, TG).

**Declarations under Rule 4.17:**

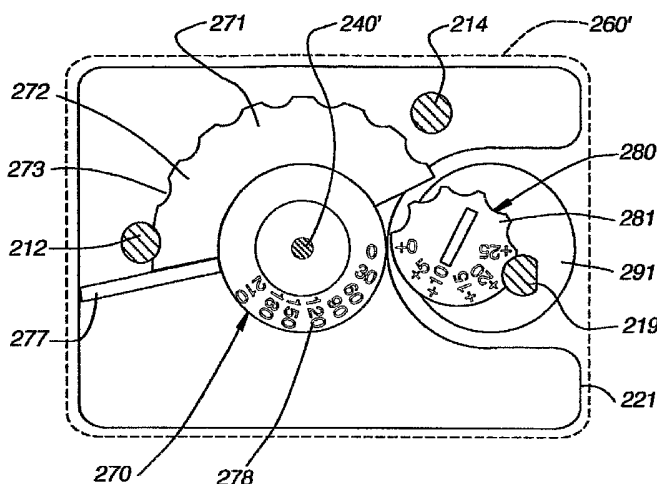
- as to the identity of the inventor (Rule 4.17(i))
- as to applicant's entitlement to apply for and be granted a  
patent (Rule 4.17(ii))
- as to the applicant's entitlement to claim the priority of the  
earlier application (Rule 4.17(iii))

**Published:**

- with international search report
- before the expiration of the time limit for amending the  
claims and to be republished in the event of receipt of  
amendments

[Continued on next page]

(54) Title: EXERCISE WEIGHT STACK METHODS AND APPARATUS



(57) Abstract: An exercise device including one or more weight stacks (208a,b) moveably supported on a frame (210). Each weight stack includes one or more weight plates (221-227, 291-297) that may be selectively engaged by way of a dial arrangement (278, 287) operably coupled with the weight stack. The dial arrangement is connected with a selection member (230, 298) that extends through a selection aperture (203, 207) in the weight plates. Each selection aperture defines a unique contour with at least one engaging surface, such as a tab. The selection member has corresponding protrusions (232, 299) adapted to engage the engaging surface of the weight plate. Each dial arrangement may be configured so that the weight stack may only be actuated when the selection member is properly positioned so that the protrusions properly engage the engaging surfaces. By adjusting the dial setting, the selection member is rotated so that one or more of the various protrusions engage associated engaging surfaces in order to engage some combination of weight plates. Upon actuation (i.e., exercise), the selected weights are engaged and moved when the selection member is properly orientated.

WO 2006/065954 A3



---

**(88) Date of publication of the international search report:**

31 August 2006

*For two-letter codes and other abbreviations, refer to the "Guidance Notes on Codes and Abbreviations" appearing at the beginning of each regular issue of the PCT Gazette.*

# INTERNATIONAL SEARCH REPORT

International application No.

PCT/US05/45350

**A. CLASSIFICATION OF SUBJECT MATTER**  
 IPC: **A63B 21/062**( 2006.01)  
 A63B 21/06( 2006.01),21/078( 2006.01)  
  
 USPC: 482/98,99,908  
 According to International Patent Classification (IPC) or to both national classification and IPC

**B. FIELDS SEARCHED**

Minimum documentation searched (classification system followed by classification symbols)  
 U.S. : 482/98, 99, 908, 92-94, 97, 99-103, 138, 148

Documentation searched other than minimum documentation to the extent that such documents are included in the fields searched

Electronic data base consulted during the international search (name of data base and, where practicable, search terms used)

**C. DOCUMENTS CONSIDERED TO BE RELEVANT**

Category *	Citation of document, with indication, where appropriate, of the relevant passages	Relevant to claim No.
A,P	US 2005/0176559 A1 (Carter) 11 August 2005 (11.08.2005), Figs. 1-8.	1-24
X	US 5,876,313 A (Krull) 02 March 1999 (02.03.1999), Figs. 1-37, col. 5, lines 24-63, col. 7, lines 41-56, col. 8, lines 31-57, col. 9, lines 39-50, col. 10, lines 22-29.	2,3
A	US 2003/0092542 A1 (Bartholomew et al.) 15 May 2003 (15.05.2003), Figs. 1-10, paragraphs [0033] and [0037].	1-24
A	US 848,272 A (Thornley) 26 March 1907 (26.03.1907), Fig. 6, page 2, lines 10-35.	6
E,A	EP 1,614,450 A1 (Eriksson et al.) 11 January 2006 (11.01.2006), Figs. 1-8.	1-24
E,A	WO 2006/008767 A1 (Panatta) 26 January 2006 (26.01.2006), Figs. 1-5.	1-24

Further documents are listed in the continuation of Box C.       See patent family annex.

* Special categories of cited documents:	
"A" document defining the general state of the art which is not considered to be of particular relevance	"T" later document published after the international filing date or priority date and not in conflict with the application but cited to understand the principle or theory underlying the invention
"E" earlier application or patent published on or after the international filing date	"X" document of particular relevance; the claimed invention cannot be considered novel or cannot be considered to involve an inventive step when the document is taken alone
"L" document which may throw doubts on priority claim(s) or which is cited to establish the publication date of another citation or other special reason (as specified)	"Y" document of particular relevance; the claimed invention cannot be considered to involve an inventive step when the document is combined with one or more other such documents, such combination being obvious to a person skilled in the art
"O" document referring to an oral disclosure, use, exhibition or other means	"&" document member of the same patent family
"P" document published prior to the international filing date but later than the priority date claimed	

Date of the actual completion of the international search 19 May 2006 (19.05.2006)	Date of mailing of the international search report 20 JUN 2006
Name and mailing address of the ISA/US Mail Stop PCT, Attn: ISA/US Commissioner for Patents P.O. Box 1450 Alexandria, Virginia 22313-1450 Facsimile No. (571) 273-3201	Authorized officer Victor K. Hwang Telephone No. 571-272-3700