



US00D918119S

(12) **United States Design Patent**
Han

(10) **Patent No.:** **US D918,119 S**

(45) **Date of Patent:** **** May 4, 2021**

- (54) **AUTOMOTIVE WHEEL**
- (71) Applicant: **Donnie Han**, Corona, CA (US)
- (72) Inventor: **Donnie Han**, Corona, CA (US)
- (**) Term: **15 Years**
- (21) Appl. No.: **29/726,899**
- (22) Filed: **Mar. 6, 2020**
- (51) **LOC (13) Cl.** **12-16**
- (52) **U.S. Cl.**
USPC **D12/209**
- (58) **Field of Classification Search**
USPC D12/204–213; D21/563
CPC B60B 7/00; B60B 7/02; B60B 7/04; B60B
7/01; B60B 7/06; B60B 3/02; B60B 3/04;
B60B 3/06; B60B 3/10; B60B 1/00;
B60B 1/08; B60B 1/10; B60B 1/12
See application file for complete search history.

D855,539	S	*	8/2019	Han	D12/209
D856,255	S	*	8/2019	Johnson	D12/209
D857,592	S	*	8/2019	Han	D12/209
D863,186	S	*	10/2019	Han	D12/209
D864,076	S	*	10/2019	Han	D12/209
D870,631	S	*	12/2019	Ash	D12/209
D874,375	S	*	2/2020	Han	D12/209
D877,676	S	*	3/2020	Lee	D12/209
D886,705	S	*	6/2020	Williams	D12/209
D889,368	S	*	7/2020	Lee	D12/209
D891,344	S	*	7/2020	Platto	D12/209
D900,696	S	*	11/2020	Han	D12/209
D902,109	S	*	11/2020	Han	D12/209
D906,214	S	*	12/2020	Han	D12/209
D912,594	S	*	3/2021	Ranum	D12/209

* cited by examiner

Primary Examiner — Stacia A Cadmus

(57) **CLAIM**

The ornamental design for an automotive wheel, as shown and described.

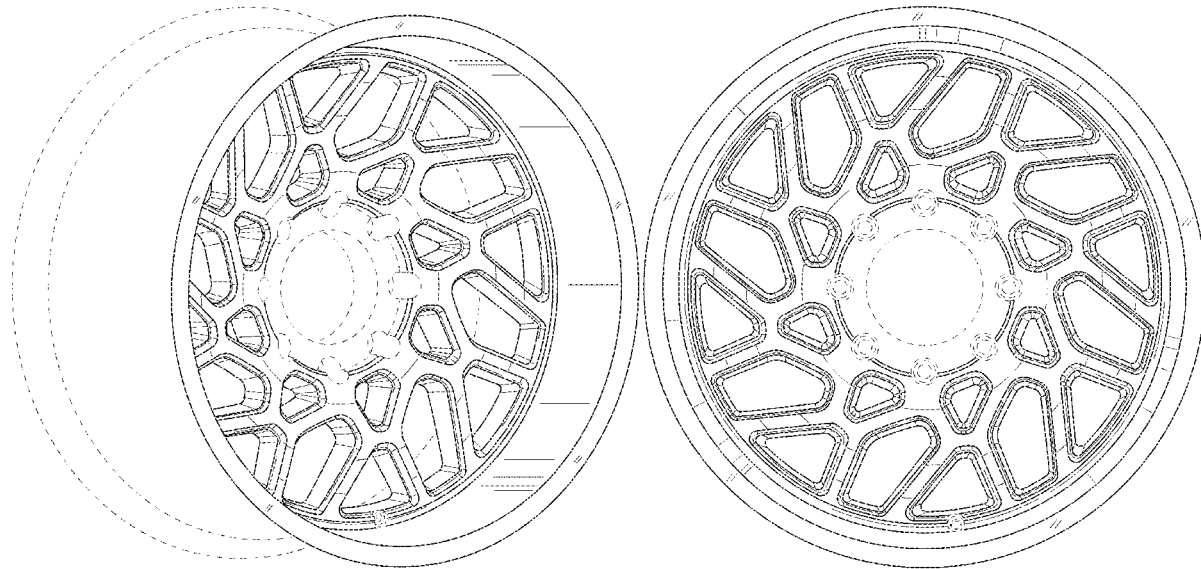
DESCRIPTION

FIG. 1 is a perspective view of an automotive wheel, showing my new design; and, FIG. 2 is a front view thereof.

In the drawings the broken lines depict portions of the wheel that form no part of the claimed design.

1 Claim, 2 Drawing Sheets

- (56) **References Cited**
U.S. PATENT DOCUMENTS
D748,560 S * 2/2016 Simm D12/211
D817,843 S * 5/2018 Hale, Jr. D12/209
D837,709 S * 1/2019 Chung D12/209
D846,478 S * 4/2019 Kovacs D12/209



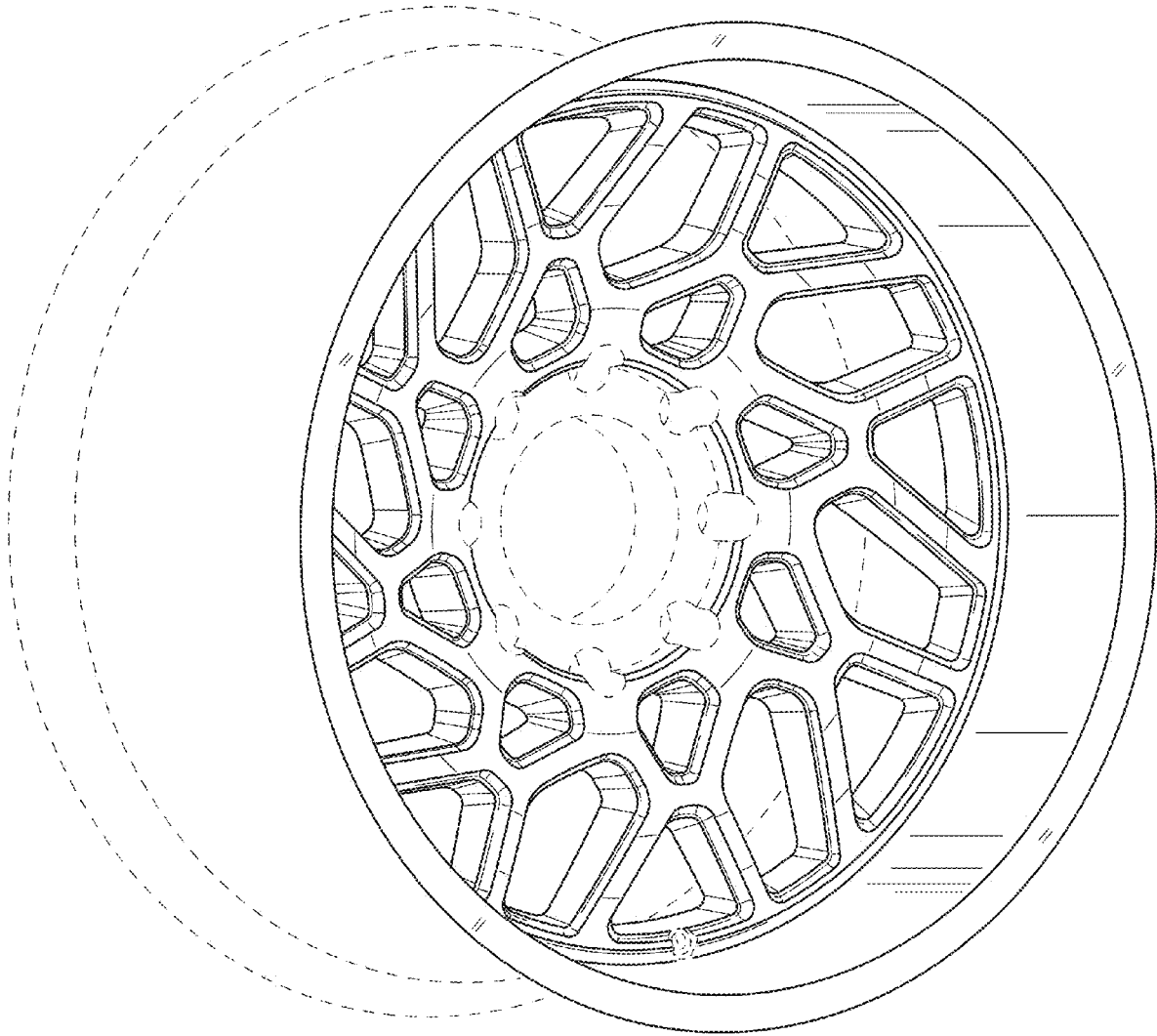


FIGURE 1

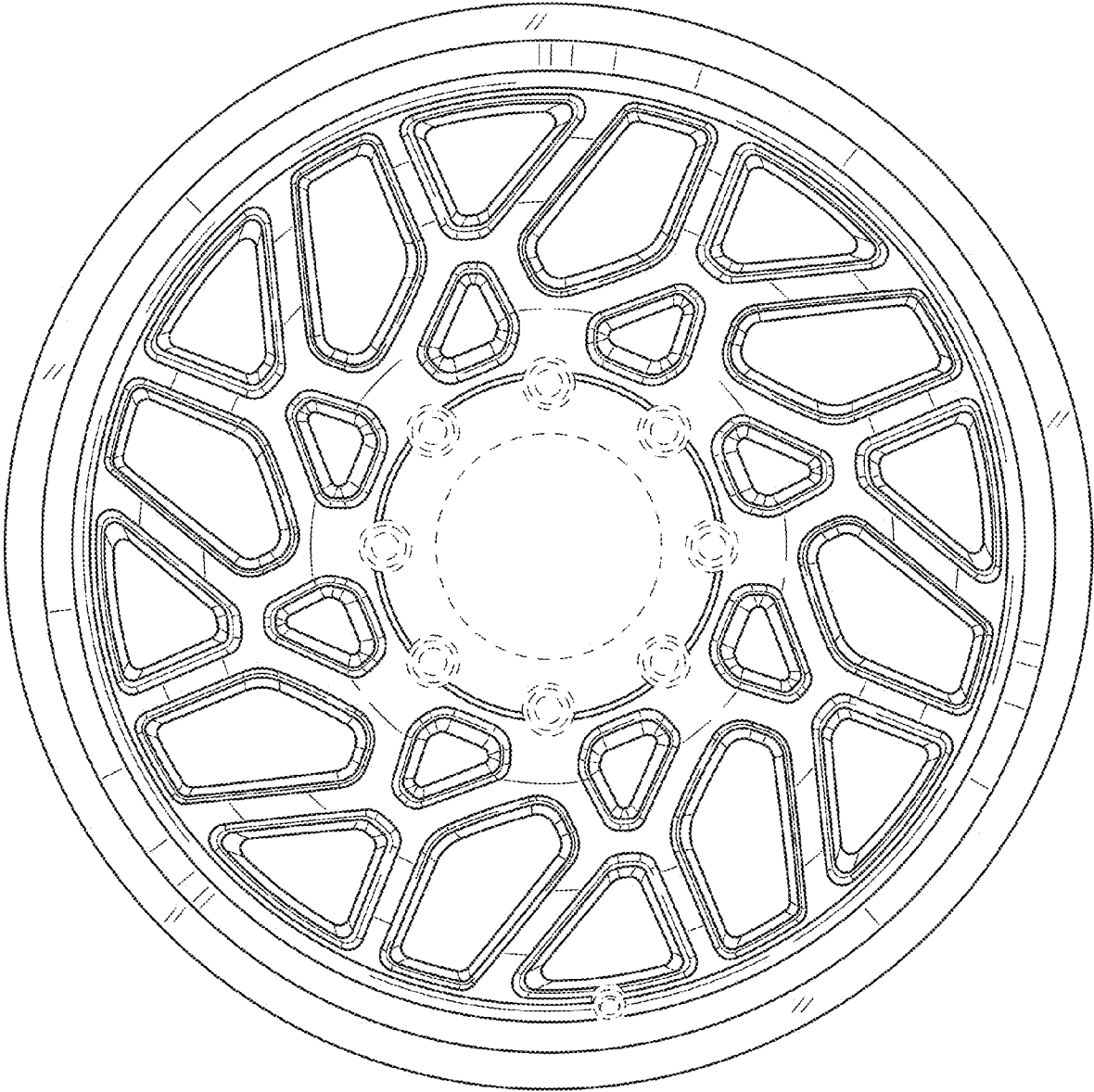


FIGURE 2