



US00D413004S

# United States Patent [19]

[11] Patent Number: **Des. 413,004**

**Decarlo-Williams**

[45] Date of Patent: **\*\* Aug. 17, 1999**

[54] **PORTABLE PET CARRIER**

[76] Inventor: **Louise Decarlo-Williams**, 16161 Clear Valley Pl., Encino, Calif. 91436

[\*\*] Term: **14 Years**

3,487,814 1/1970 Ingebritsen ..... 119/497  
 4,130,088 12/1978 Salvia ..... 119/496  
 4,220,119 9/1980 Albright ..... 119/497  
 5,307,758 5/1994 Ho ..... 119/497  
 5,335,618 8/1994 Zarola ..... 119/498  
 5,615,640 4/1997 Luiz ..... 119/482

[21] Appl. No.: **29/087,485**

[22] Filed: **May 4, 1998**

*Primary Examiner*—Cathy Anne MacCormac  
*Attorney, Agent, or Firm*—Goldstein & Canino

[51] **LOC (6) Cl.** ..... **30-02**

[52] **U.S. Cl.** ..... **D30/109**

[58] **Field of Search** ..... D30/108-109,  
 D30/112-117, 144; 119/496-499, 482,  
 500-501, 448, 452-453; D3/213-217, 242,  
 276, 294; 217/62; 220/754, 772; 312/307

## [57] CLAIM

The ornamental design for a portable pet carrier, as shown and described.

## [56] References Cited

### U.S. PATENT DOCUMENTS

D. 239,785	5/1976	Chernoff	.....	D3/242
D. 256,957	9/1980	Justl	.....	D30/116
D. 294,985	3/1988	Blieden	.....	D30/109
D. 295,276	4/1988	Brown et al.	.....	D30/109
D. 298,870	12/1988	Heisler	.....	D30/109
D. 333,537	2/1993	Muse, Jr.	.....	D30/114
511,272	12/1893	Hughes	.....	119/452
1,041,167	10/1912	Rogers	.....	119/482

## DESCRIPTION

FIG. 1 is a perspective view of a portable pet carrier showing my new design;

FIG. 2 is a perspective view thereof, in an alternate position, the broken lines are for illustrative purposes only and form no part of the claimed design;

FIG. 3 is a front elevational view of FIG. 1;

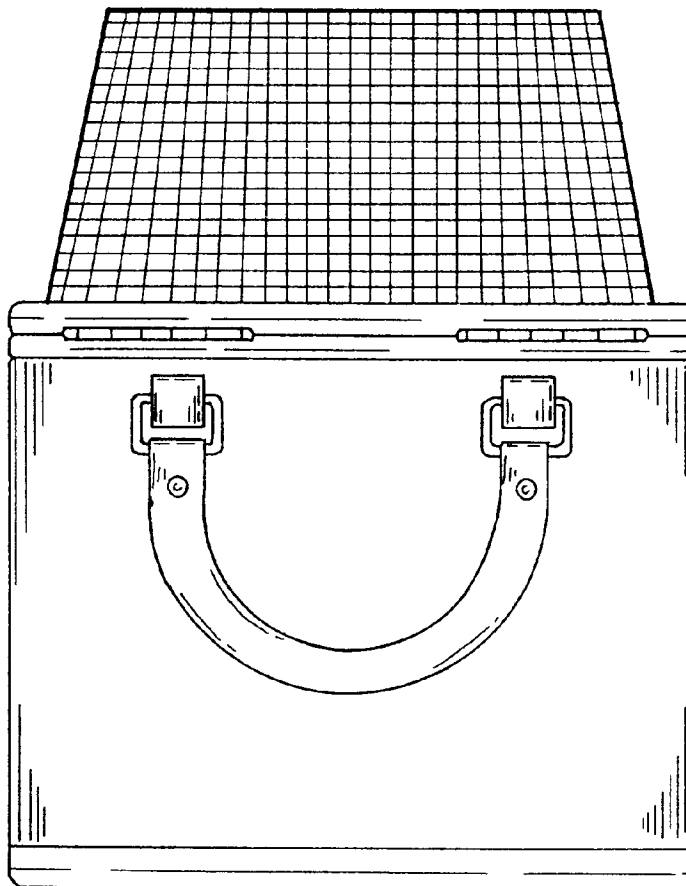
FIG. 4 is a rear elevational view of FIG. 1;

FIG. 5 is a top plan view of FIG. 1;

FIG. 6 is a bottom plan view of FIG. 1; and,

FIG. 7 is a right side elevational view of FIG. 1, the left side being a mirror image of the right side shown.

**1 Claim, 4 Drawing Sheets**



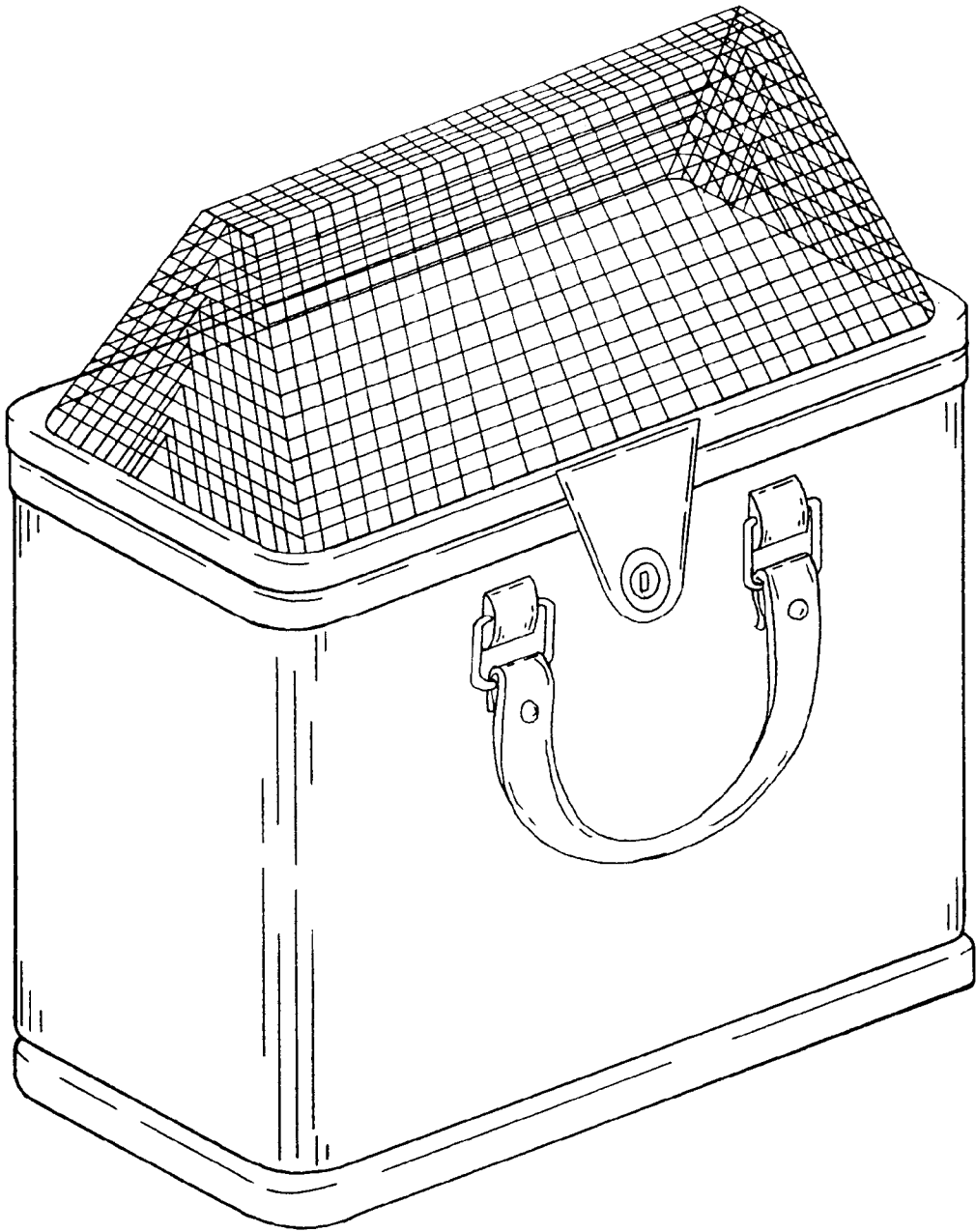


FIG. 1

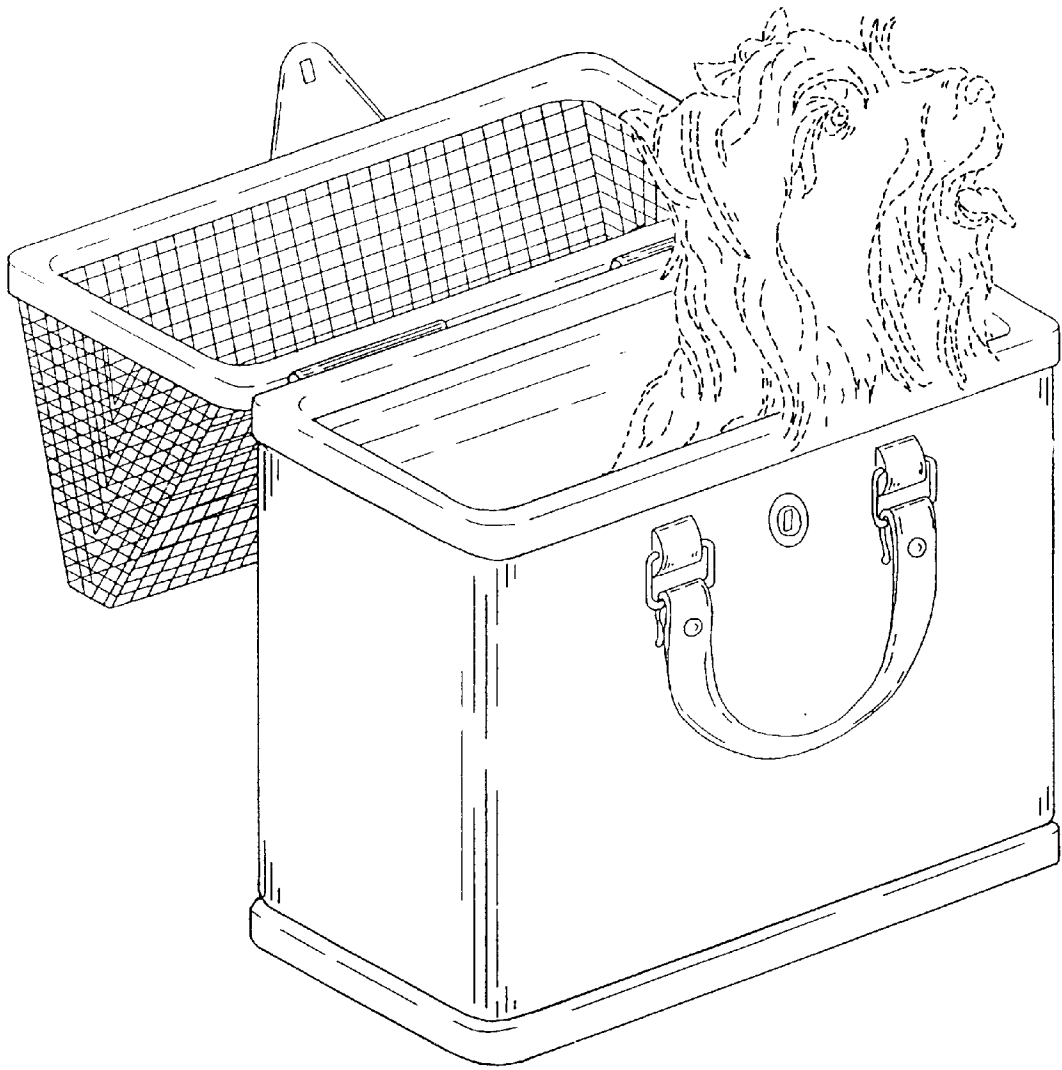


FIG.2

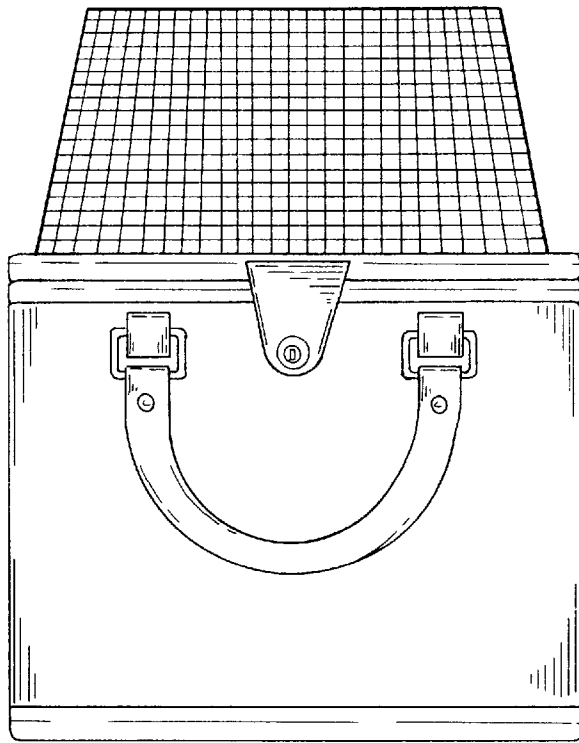


FIG. 3

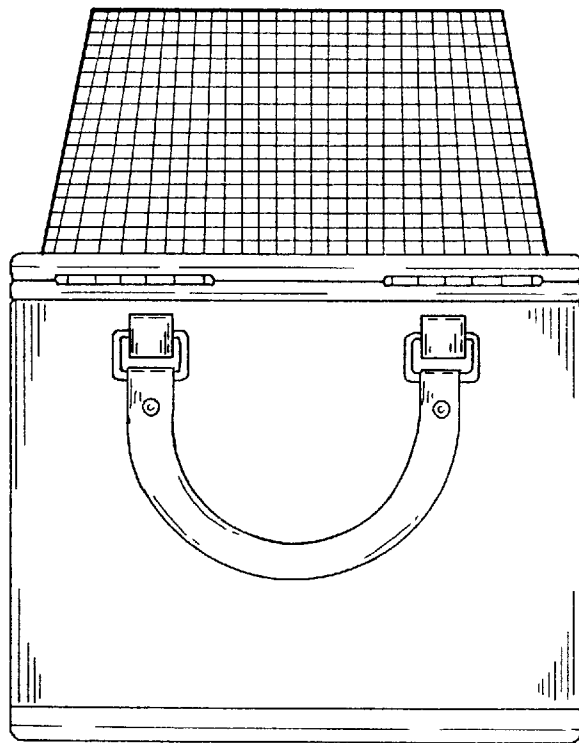


FIG. 4

FIG.5

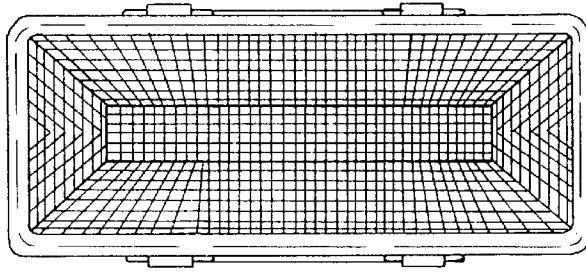


FIG.6

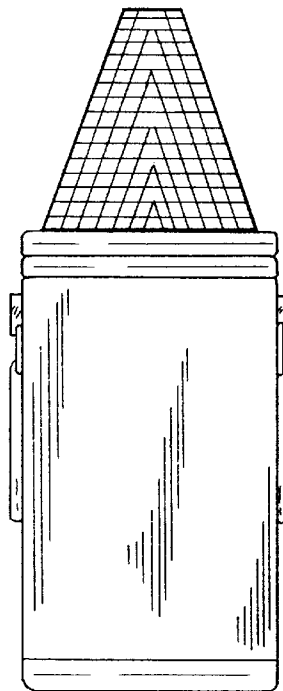
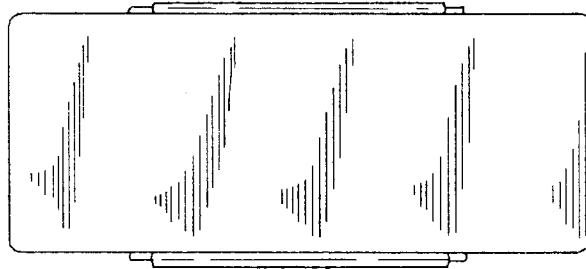


FIG.7