



(12) **United States Design Patent**  
**Guo**

(10) **Patent No.:** **US D1,069,300 S**  
(45) **Date of Patent:** **\*\* Apr. 1, 2025**

(54) **VACUUM CLEANER ATTACHMENT**

D405,570 S 2/1999 Broecking  
6,044,521 A \* 4/2000 Sebek ..... A47L 9/02  
15/422  
D708,408 S \* 7/2014 Dimbylow ..... D32/31  
(Continued)

(71) Applicant: **Shenzhen Zhiyun Network Technology Co., Ltd.**, Shenzhen (CN)

(72) Inventor: **Lirong Guo**, Shenzhen (CN)

**FOREIGN PATENT DOCUMENTS**

(73) Assignee: **Shenzhen Zhiyun Network Technology Co., Ltd.**, Shenzhen (CN)

AU 130452 S 6/1997  
CA 2301424 A1 \* 9/2001  
(Continued)

(\*\*) Term: **15 Years**

**OTHER PUBLICATIONS**

(21) Appl. No.: **29/952,916**

Brushes Kit, posted May 7, 2024 [online], [retrieved Sep. 12, 2024]. Retrieved from internet, <https://www.amazon.com/Universal-Vacuum-Attachments-Brushes-Kit/dp/B0D3HN9YCK> (Year: 2024).\*

(22) Filed: **Jul. 18, 2024**

(Continued)

(51) **LOC (15) Cl.** ..... **15-05**  
(52) **U.S. Cl.**

USPC ..... **D32/32**  
(58) **Field of Classification Search**

USPC ..... D32/15, 16, 17, 18, 21, 22, 25, 31, 32, D32/39  
CPC ..... A47L 5/36; A47L 9/02; A47L 9/24; A47L 9/242; A47L 11/32; A47L 11/33  
See application file for complete search history.

*Primary Examiner* — Khawaja Anwar  
*Assistant Examiner* — Taylor O Mortorff  
(74) *Attorney, Agent, or Firm* — DINSMORE & SHOHL LLP

(57) **CLAIM**

The ornamental design for a vacuum cleaner attachment, as shown and described.

(56) **References Cited**

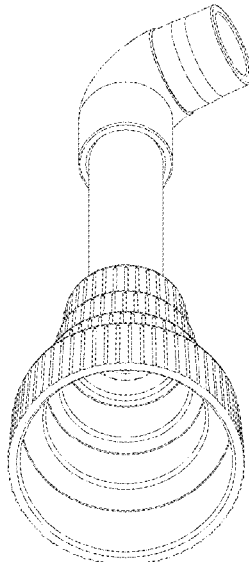
**DESCRIPTION**

**U.S. PATENT DOCUMENTS**

1,654,653 A \* 1/1928 Jordanoff ..... B60S 1/64  
417/186  
3,110,923 A \* 11/1963 Berleme ..... A47L 9/0693  
15/394  
4,077,122 A \* 3/1978 Rollor, Jr. .... B26B 19/44  
30/41.5  
4,279,095 A \* 7/1981 Aasen ..... A47L 7/0085  
15/352  
5,056,187 A \* 10/1991 Higgins ..... A47L 9/02  
D32/31  
D341,452 S \* 11/1993 Songer ..... D4/130  
D368,996 S \* 4/1996 Boyer ..... D32/32  
D384,453 S \* 9/1997 Bartz ..... D32/31

FIG. 1 is a front view of a vacuum cleaner attachment according to my new design;  
FIG. 2 is a rear view thereof;  
FIG. 3 is a left side view thereof;  
FIG. 4 is a right side view thereof;  
FIG. 5 is a top plan view thereof; and  
FIG. 6 is a bottom plan view thereof.  
FIG. 7 is a perspective view thereof;  
FIG. 8 is another perspective view thereof; and,  
FIG. 9 is another perspective view thereof.  
The portions of vacuum cleaner attachment shown in broken lines form no part of the claimed design.

**1 Claim, 9 Drawing Sheets**





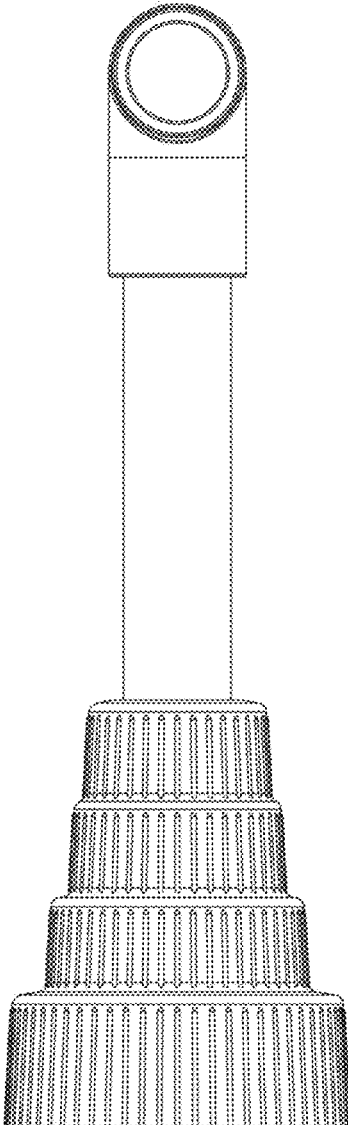


FIG. 1

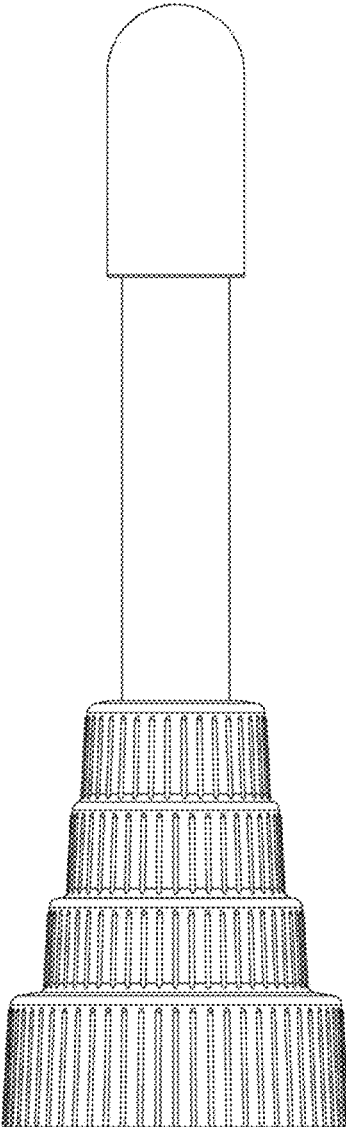


FIG. 2

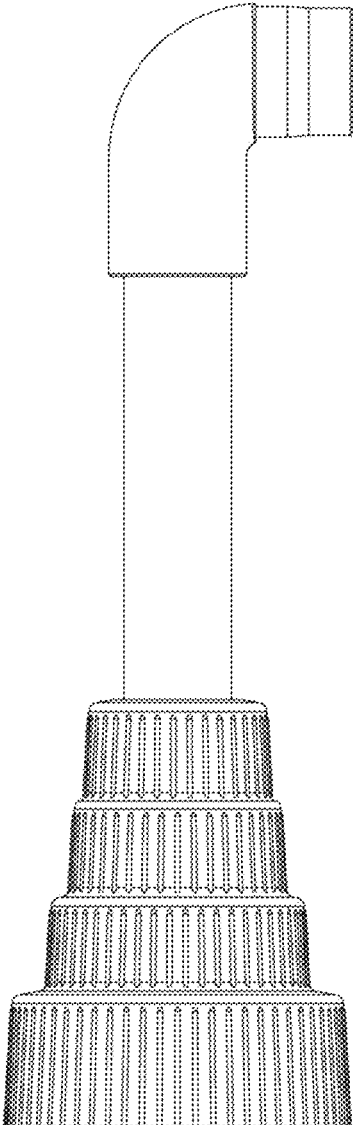


FIG. 3

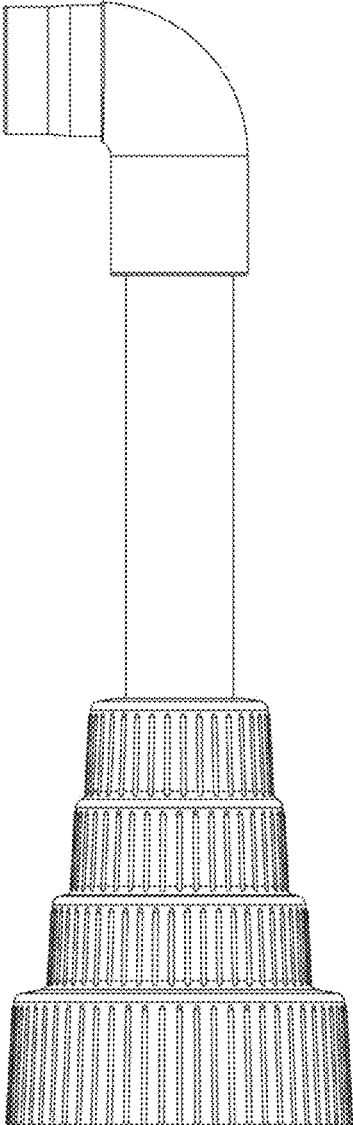


FIG. 4

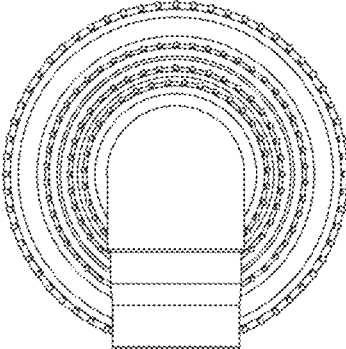
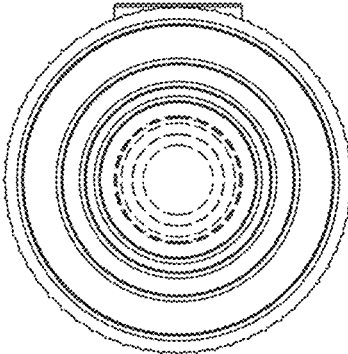


FIG. 5



**FIG. 6**

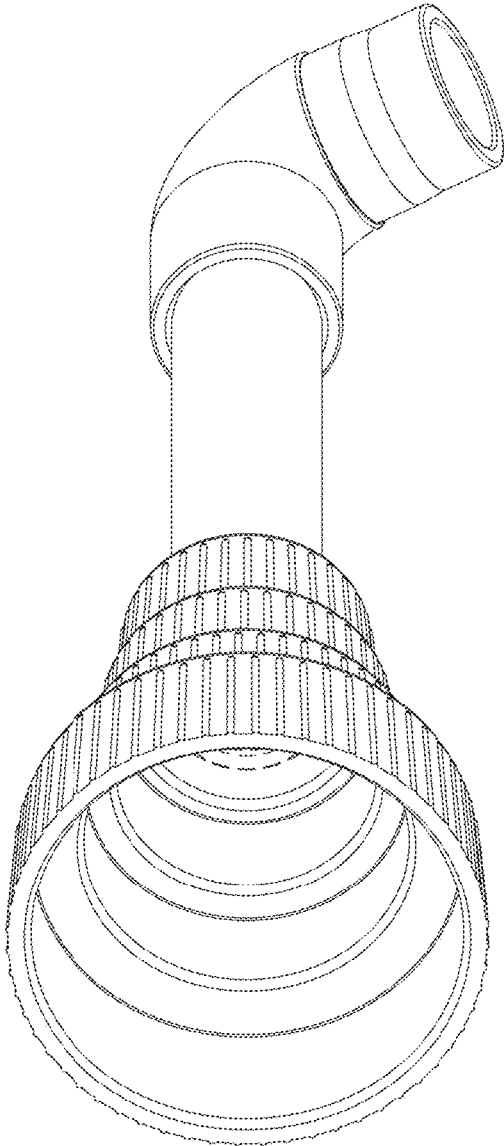


FIG. 7

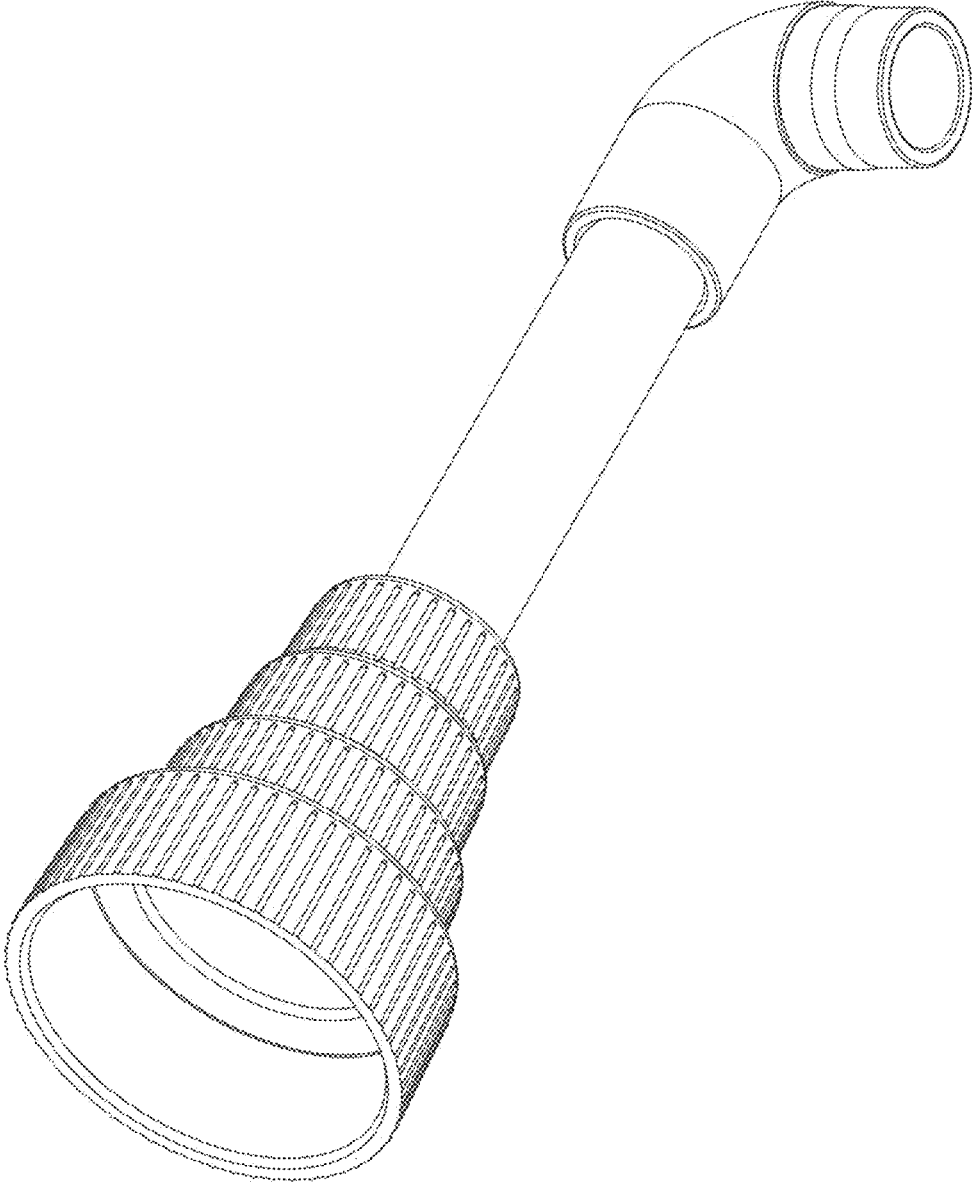


FIG. 8

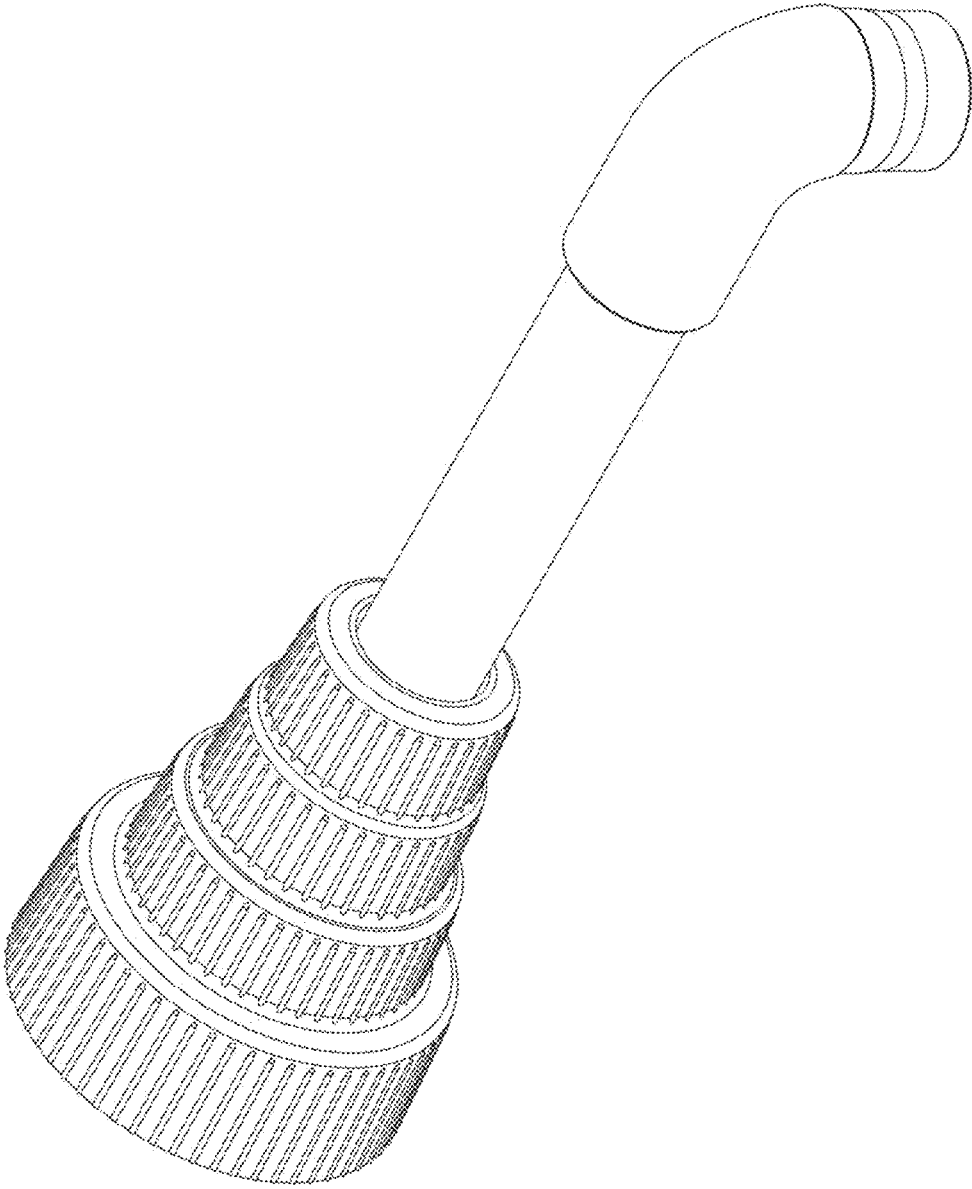


FIG. 9