



(12) **United States Design Patent**
Schnell et al.

(10) **Patent No.:** **US D1,065,155 S**
(45) **Date of Patent:** **** Mar. 4, 2025**

- (54) **EARPHONE**
- (71) Applicant: **Team IP Holdings, LLC**, Fort Worth, TX (US)
- (72) Inventors: **Timothy D. Schnell**, Del Mar, CA (US); **Darin Hale**, Vancouver, WA (US); **Steven J. Iseberg**, Schaumburg, IL (US)
- (73) Assignee: **TEAM IP HOLDINGS, LLC**, Fort Worth, TX (US)
- (**) Term: **15 Years**
- (21) Appl. No.: **29/890,051**
- (22) Filed: **Apr. 19, 2023**
- (51) **LOC (15) Cl.** **14-01**
- (52) **U.S. Cl.**
USPC **D14/223**
- (58) **Field of Classification Search**
USPC D14/223; D24/174; 128/864–866; 381/380–381
CPC H04R 1/10; H04R 25/00; H04R 25/02; H04R 1/1066; H04R 1/1016; H04R 5/033; H04R 5/0335; H04R 1/1041; H04R 1/105; H04R 1/1091
See application file for complete search history.

- D946,555 S * 3/2022 Chen D14/223
 - D967,802 S * 10/2022 Zhang D14/223
 - D975,058 S * 1/2023 Zhang D14/223
 - D981,992 S * 3/2023 Deng D14/223
 - D982,560 S * 4/2023 Ma D14/223
- (Continued)

FOREIGN PATENT DOCUMENTS

- CN 308375883 * 12/2023
 - CN 308716065 * 7/2024
- (Continued)

Primary Examiner — Paula Allen Greene
(74) *Attorney, Agent, or Firm* — McAndrews Held & Malloy, Ltd.

(57) **CLAIM**

The ornamental design for an earphone, as shown and described.

DESCRIPTION

FIG. 1 is a front perspective view of an earphone showing our new design according to a first embodiment;
 FIG. 2 is a front elevation view thereof;
 FIG. 3 is a rear elevation view thereof;
 FIG. 4 is a right side elevation view thereof;
 FIG. 5 is a left side elevation view thereof;
 FIG. 6 is a top plan view thereof;
 FIG. 7 is a bottom plan view thereof;
 FIG. 8 is a front perspective view of an earphone showing our new design according to a second embodiment;
 FIG. 9 is a front elevation view thereof;
 FIG. 10 is a rear elevation view thereof;
 FIG. 11 is a right side elevation view thereof;
 FIG. 12 is a left side elevation view thereof;
 FIG. 13 is a top plan view thereof; and,
 FIG. 14 is a bottom plan view thereof.

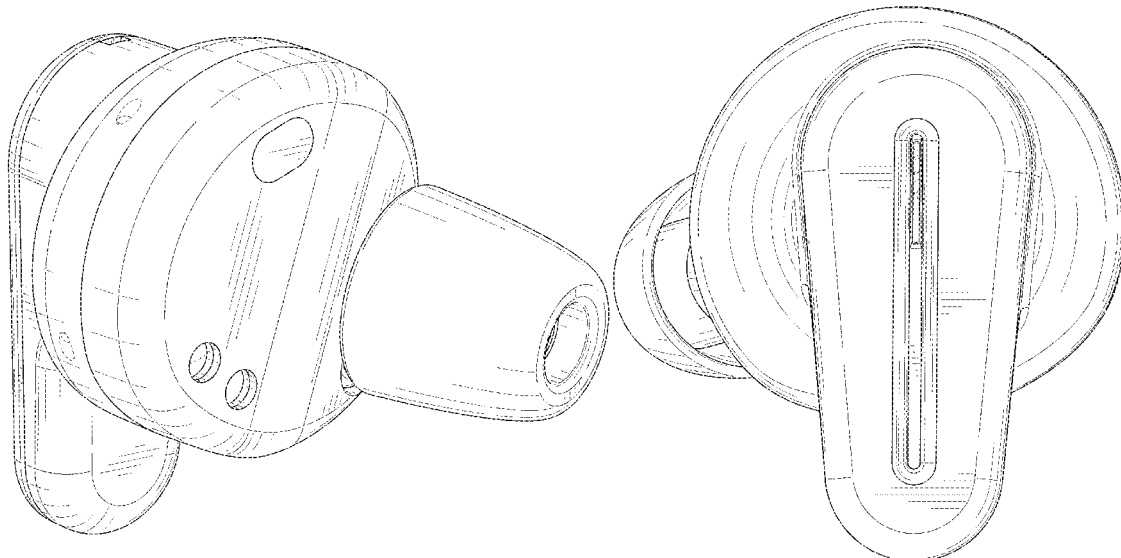
The dashed broken lines in the figures illustrate portions of the earphone that form no part of the claimed design.

1 Claim, 14 Drawing Sheets

(56) **References Cited**

U.S. PATENT DOCUMENTS

- 9,198,800 B2 * 12/2015 Killion A61F 11/08
- D843,354 S * 3/2019 Kumano D14/223
- D906,295 S * 12/2020 Zheng D14/223
- D906,296 S * 12/2020 Zheng D14/223
- D929,379 S * 8/2021 Woo D14/223
- D934,839 S * 11/2021 Zhong D14/223
- D935,446 S * 11/2021 Yi D14/223
- D937,246 S * 11/2021 Li D14/223
- D940,690 S * 1/2022 Zhang D14/223



(56)

References Cited

U.S. PATENT DOCUMENTS

D986,859 S * 5/2023 Deng D14/223
D991,913 S * 7/2023 Yoshimura D14/223
D997,918 S * 9/2023 Allen D14/223
D1,003,868 S * 11/2023 Zhang D14/223
D1,012,905 S * 1/2024 Deng D14/223
D1,016,787 S * 3/2024 Wang D14/223
D1,020,707 S * 4/2024 Du D14/223
D1,032,569 S * 6/2024 Ma D14/223
D1,033,392 S * 7/2024 Lin D14/223
D1,033,399 S * 7/2024 Ito D14/223
D1,037,213 S * 7/2024 Xu D14/223
D1,046,824 S * 10/2024 Yu D14/223
D1,047,975 S * 10/2024 Liu D14/223
2013/0343593 A1 * 12/2013 Howes H04R 1/10
381/380
2016/0014498 A1 * 1/2016 Paschel H04R 1/1016
381/380
2017/0164087 A1 * 6/2017 Kurtz H04R 1/1016
2020/0068283 A1 * 2/2020 Chou H04R 1/1025

FOREIGN PATENT DOCUMENTS

CN 308716270 * 7/2024
EM 015017688-0001 * 4/2023

* cited by examiner

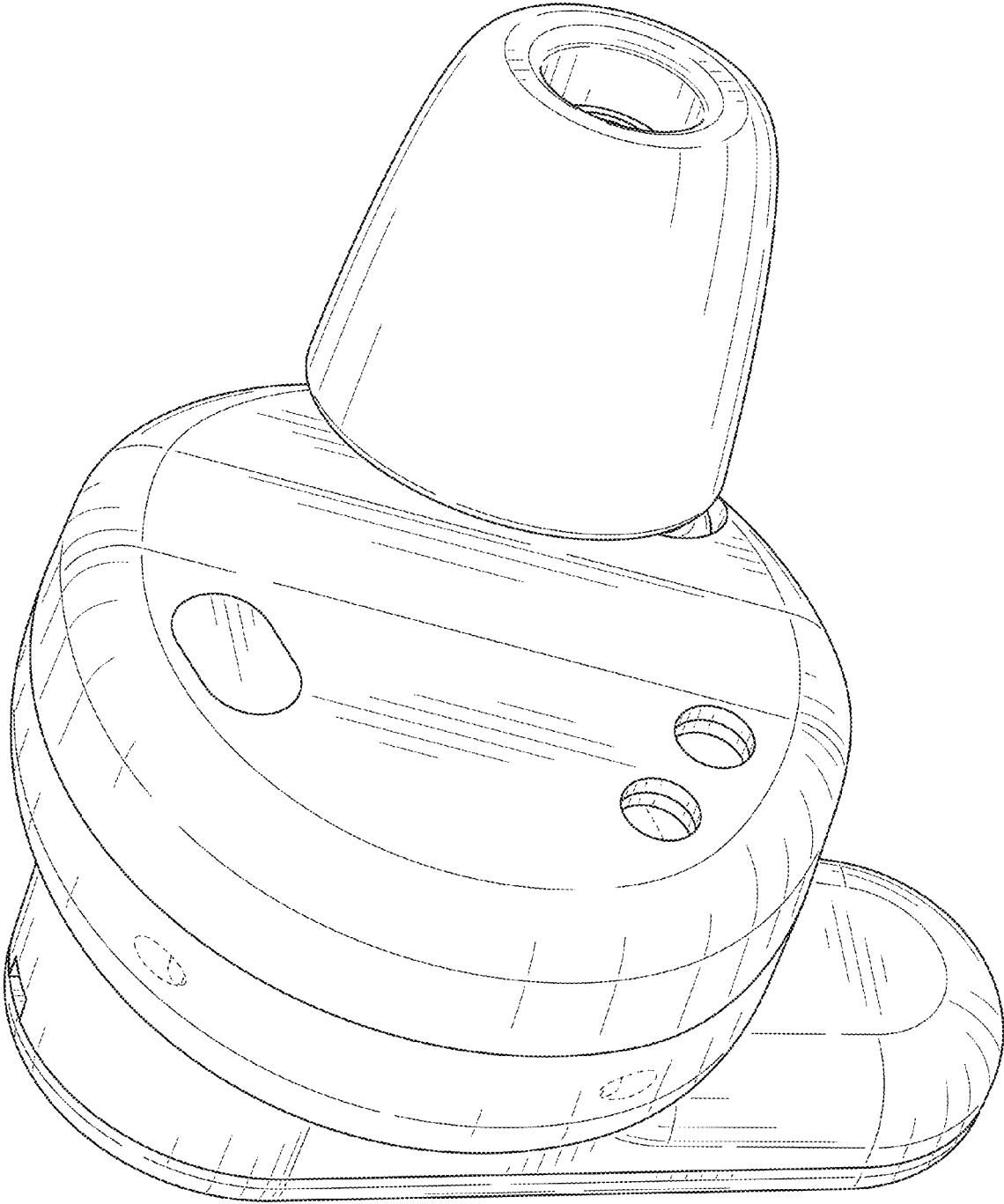


FIG. 1

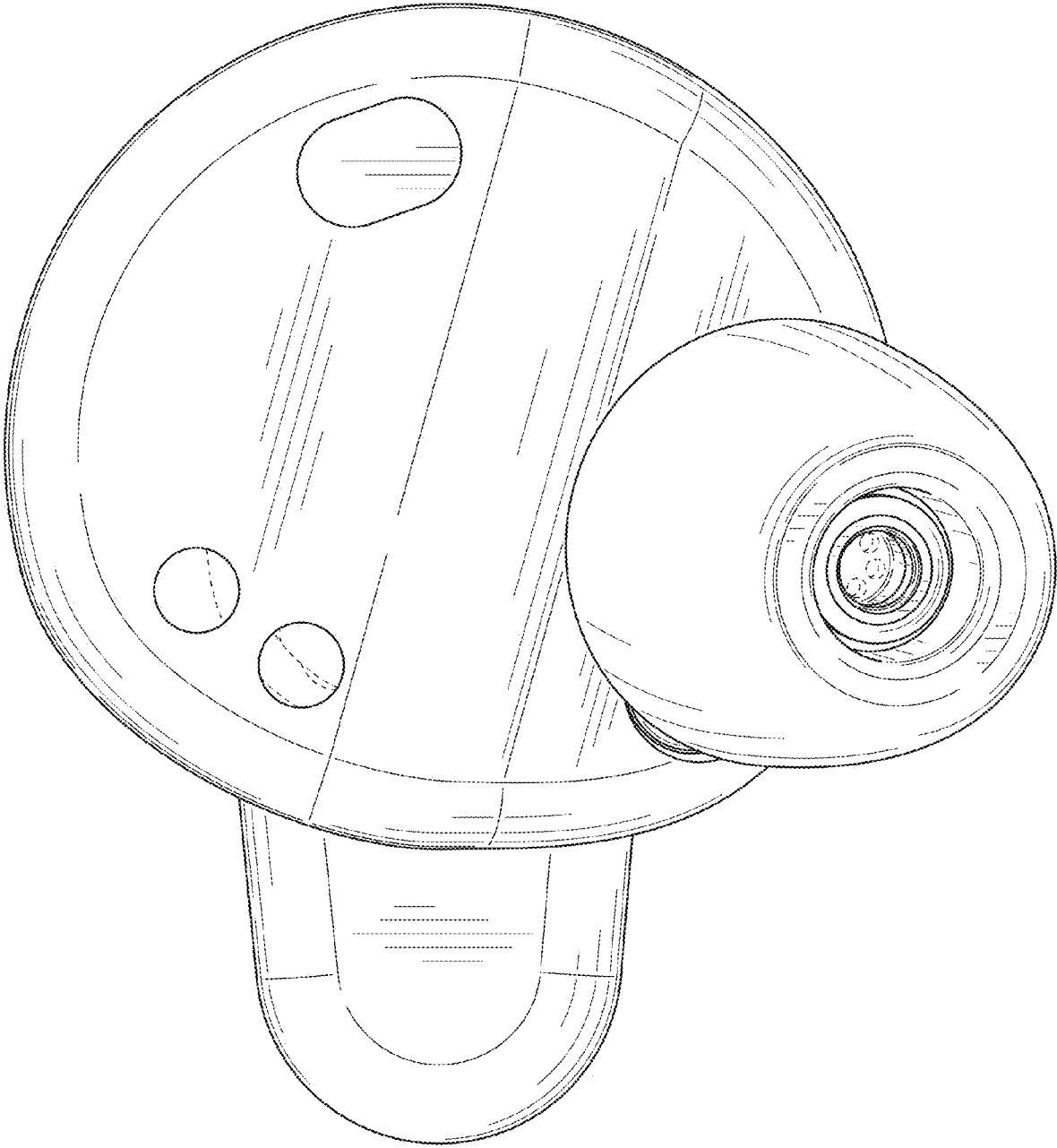


FIG. 2

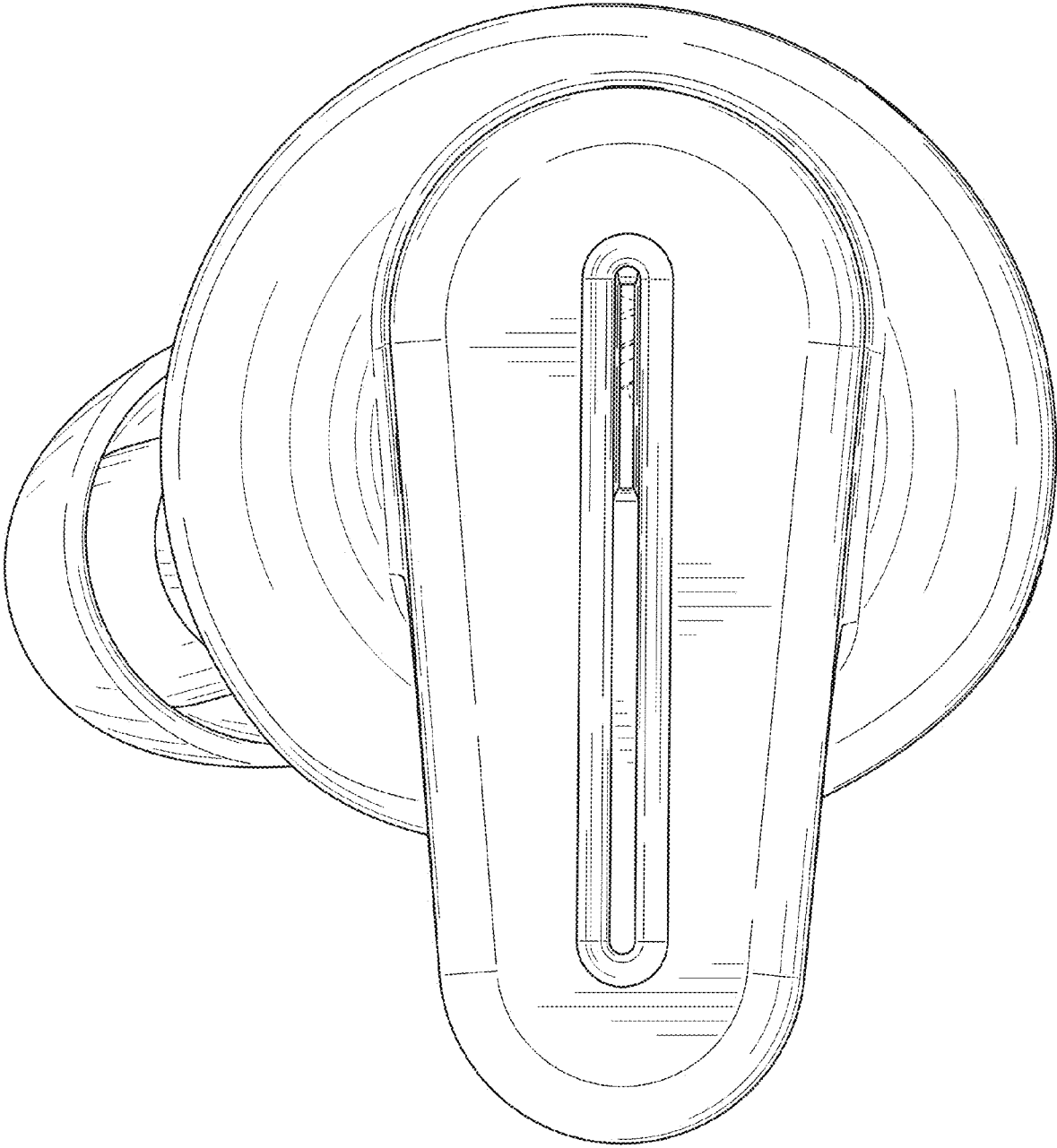


FIG. 3

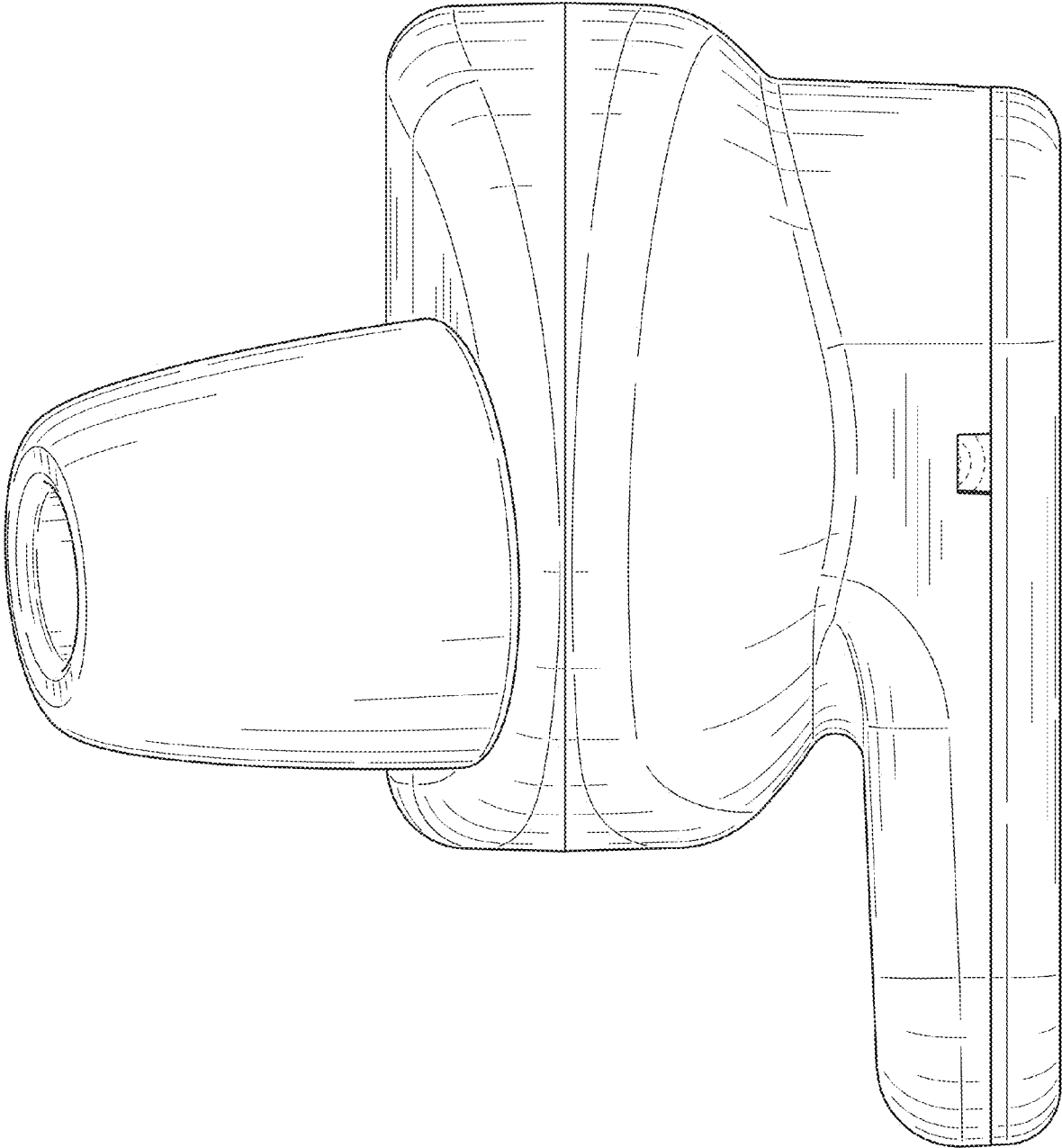


FIG. 4

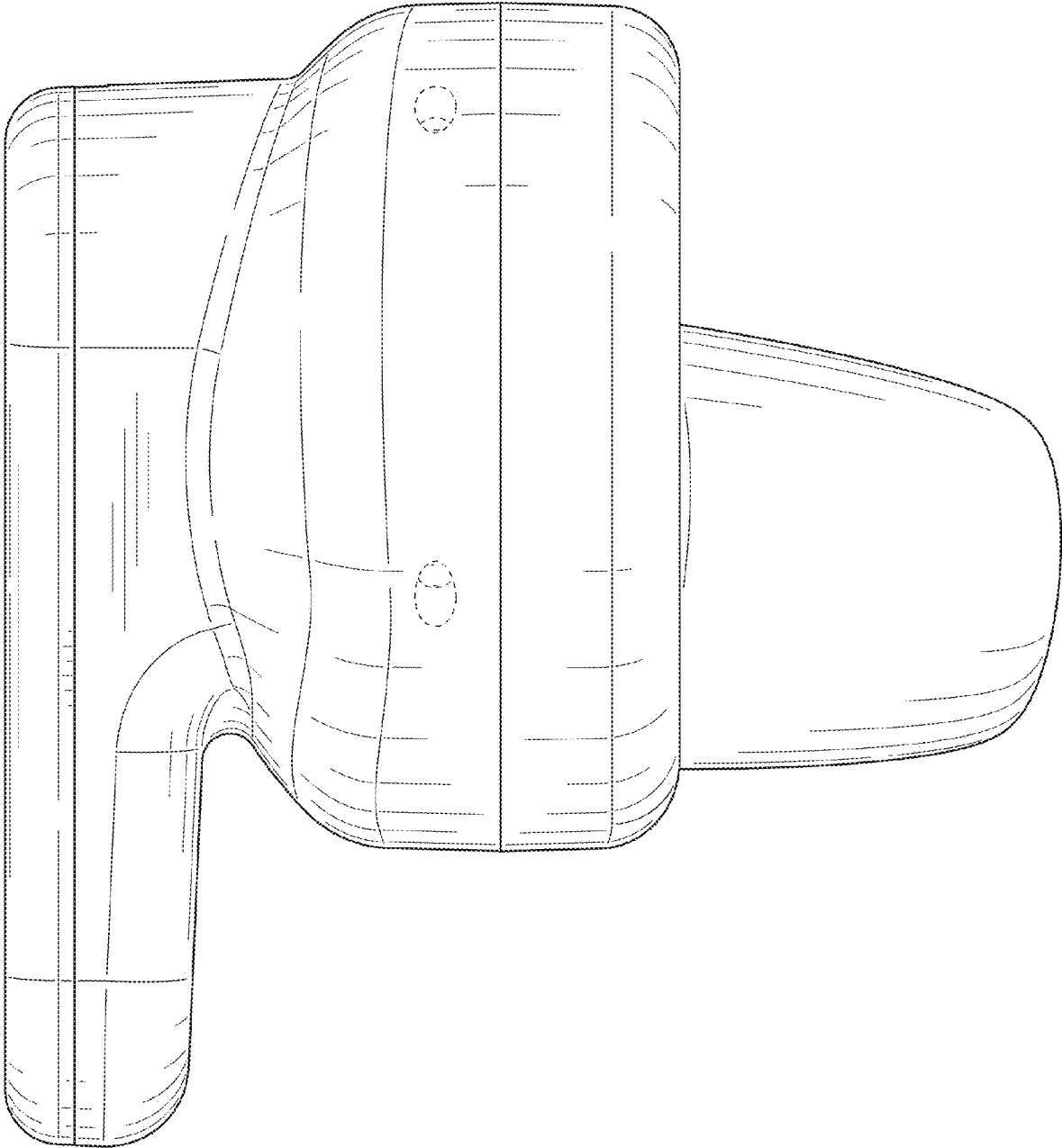


FIG. 5

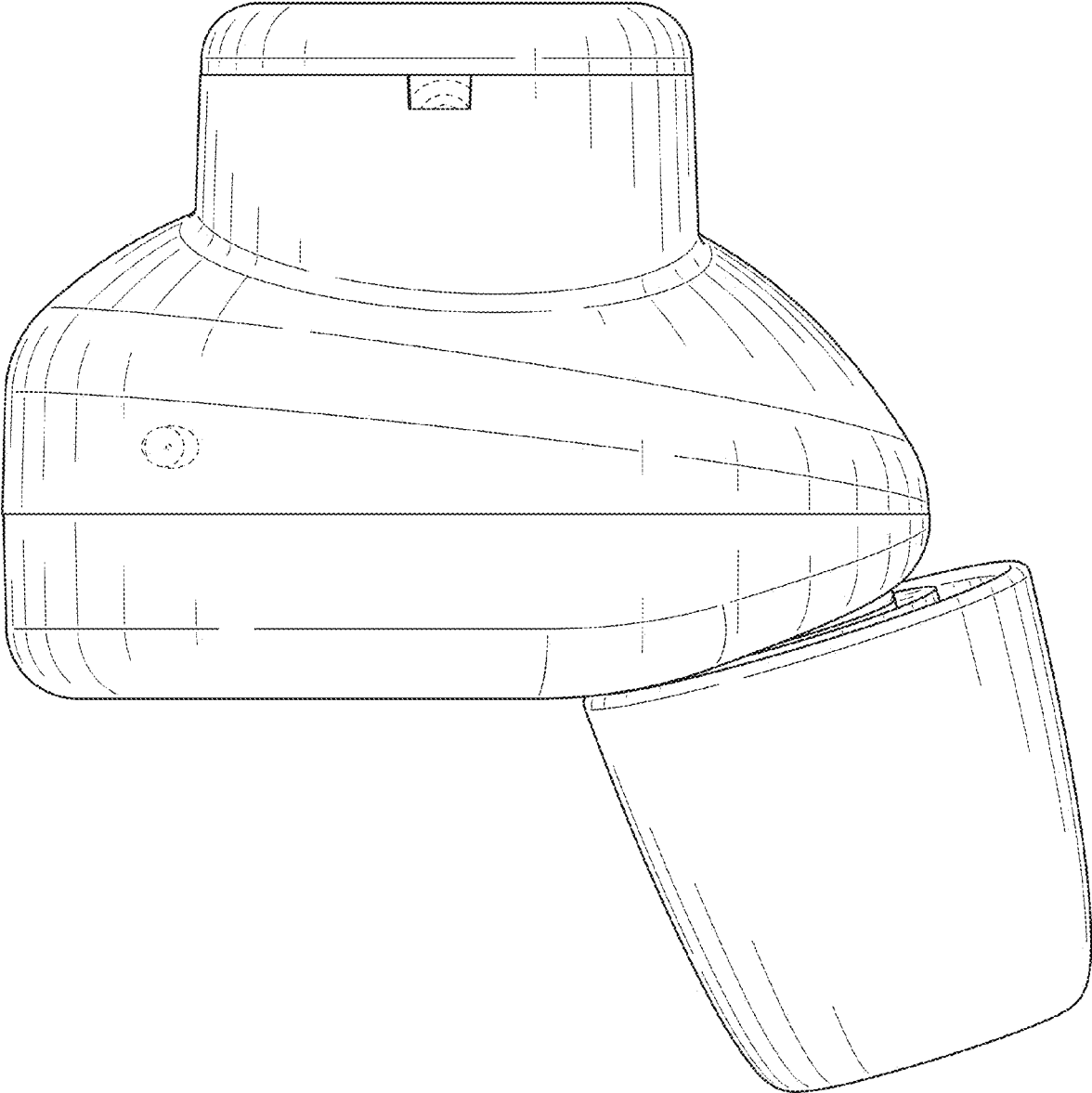


FIG. 6

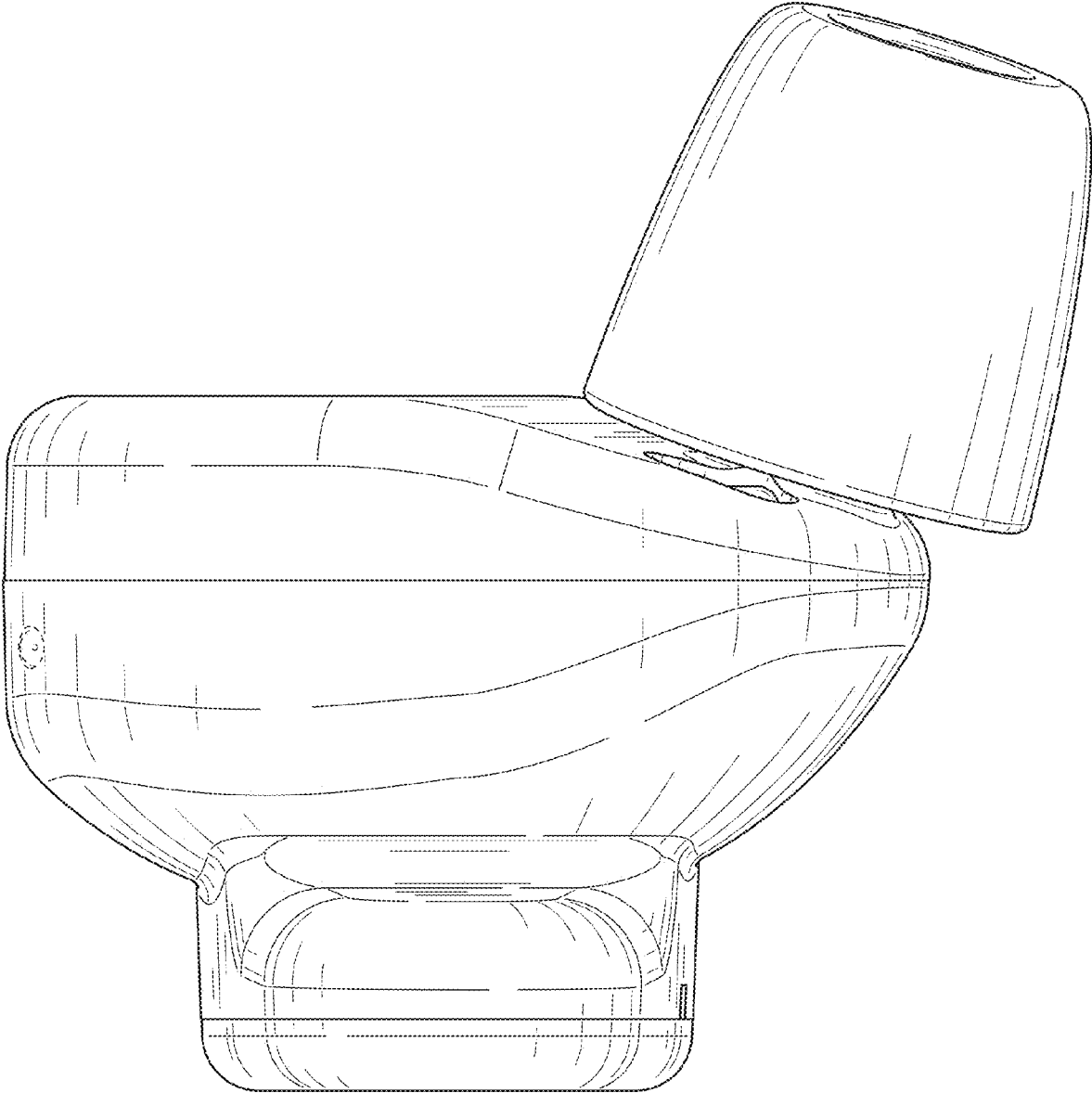


FIG. 7

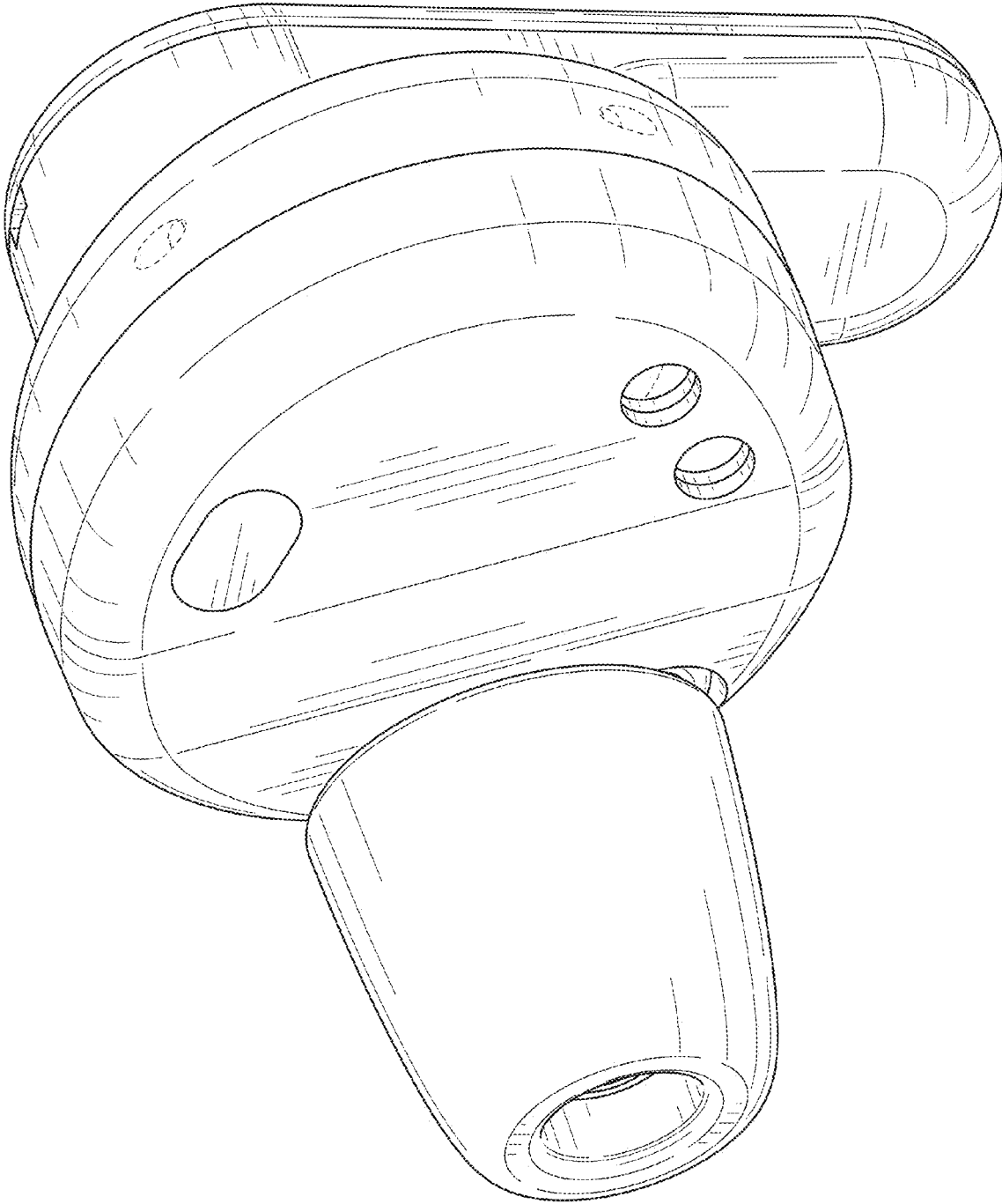


FIG. 8

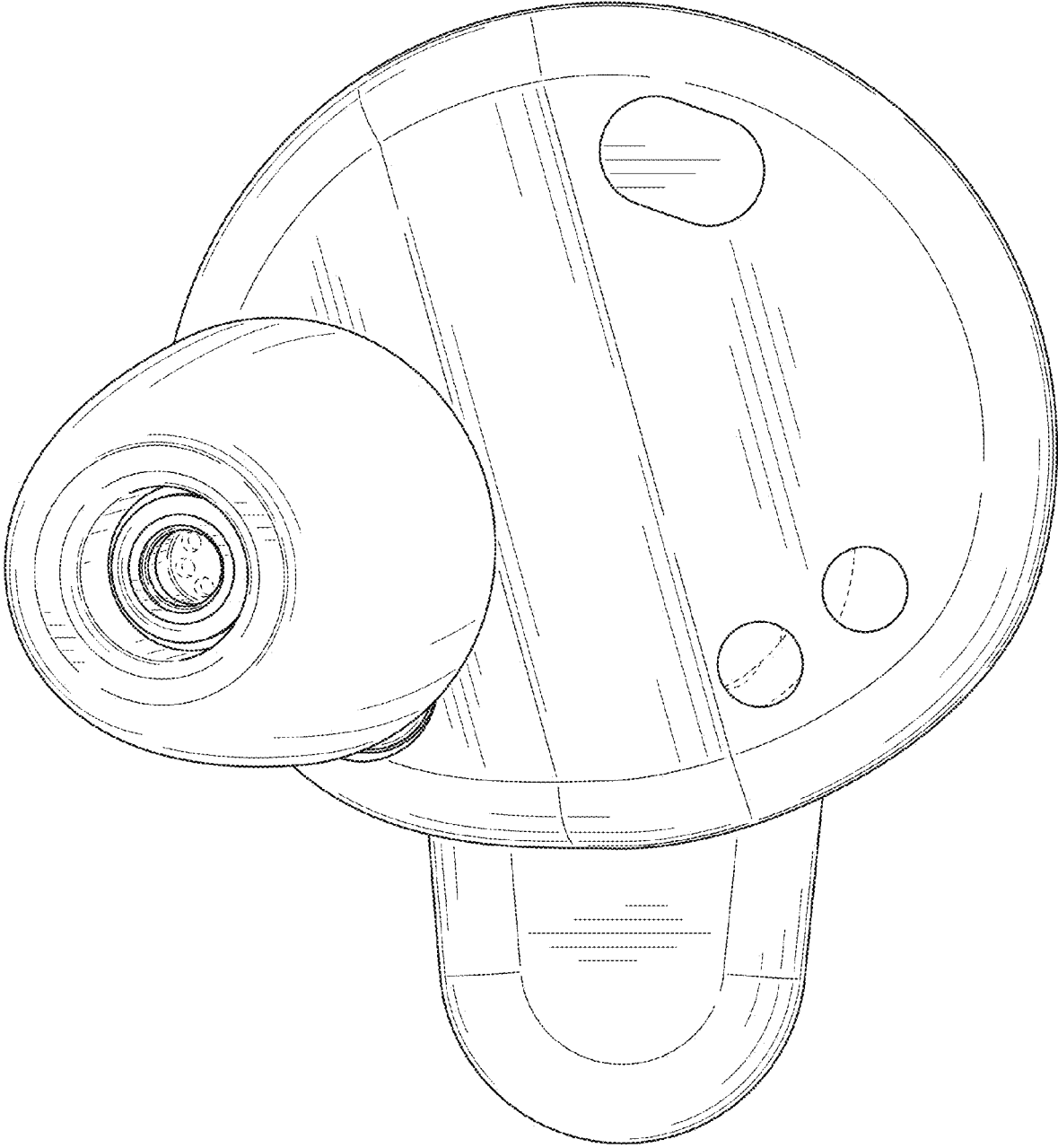


FIG. 9

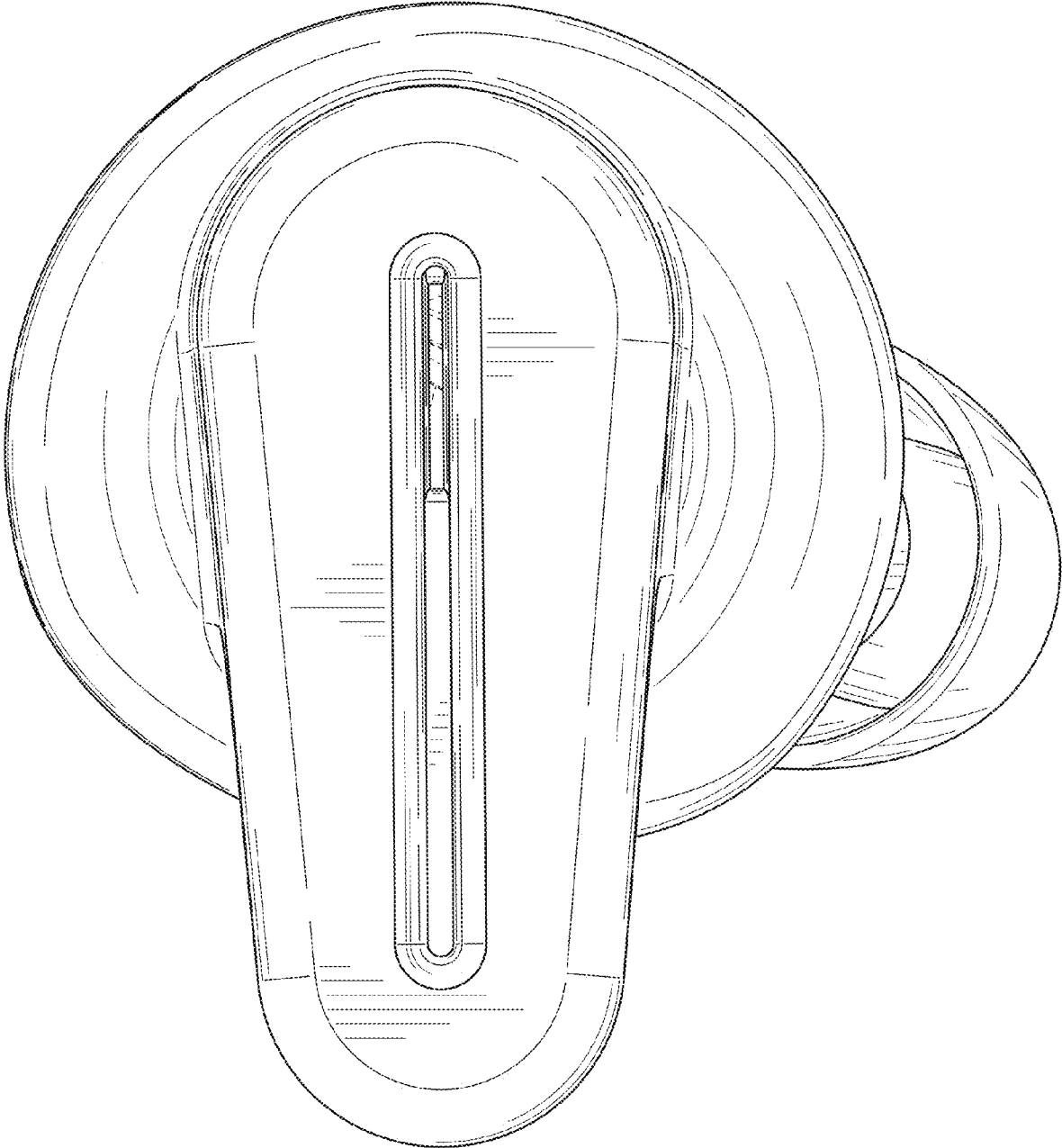


FIG. 10

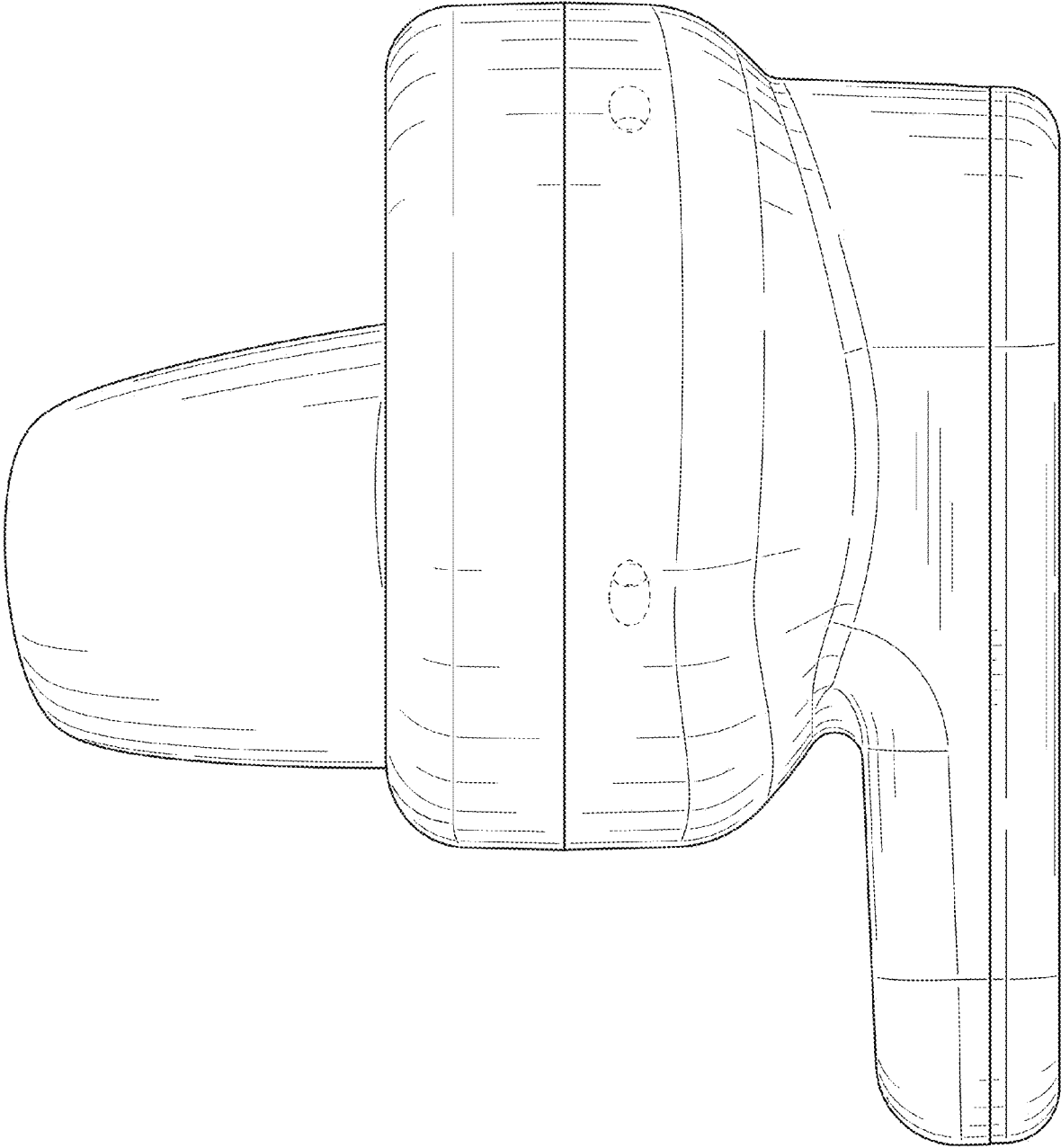


FIG. 11

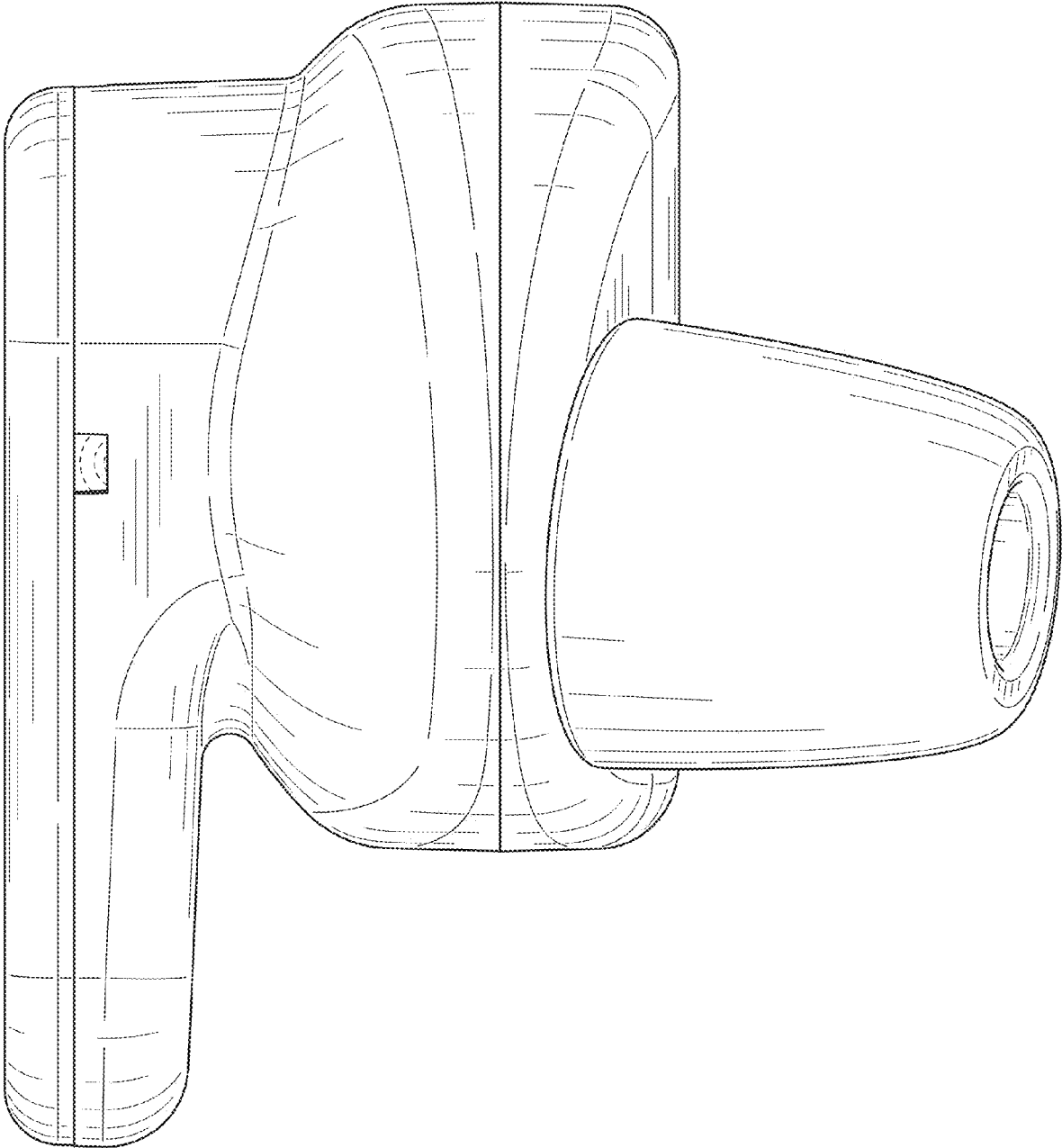


FIG. 12

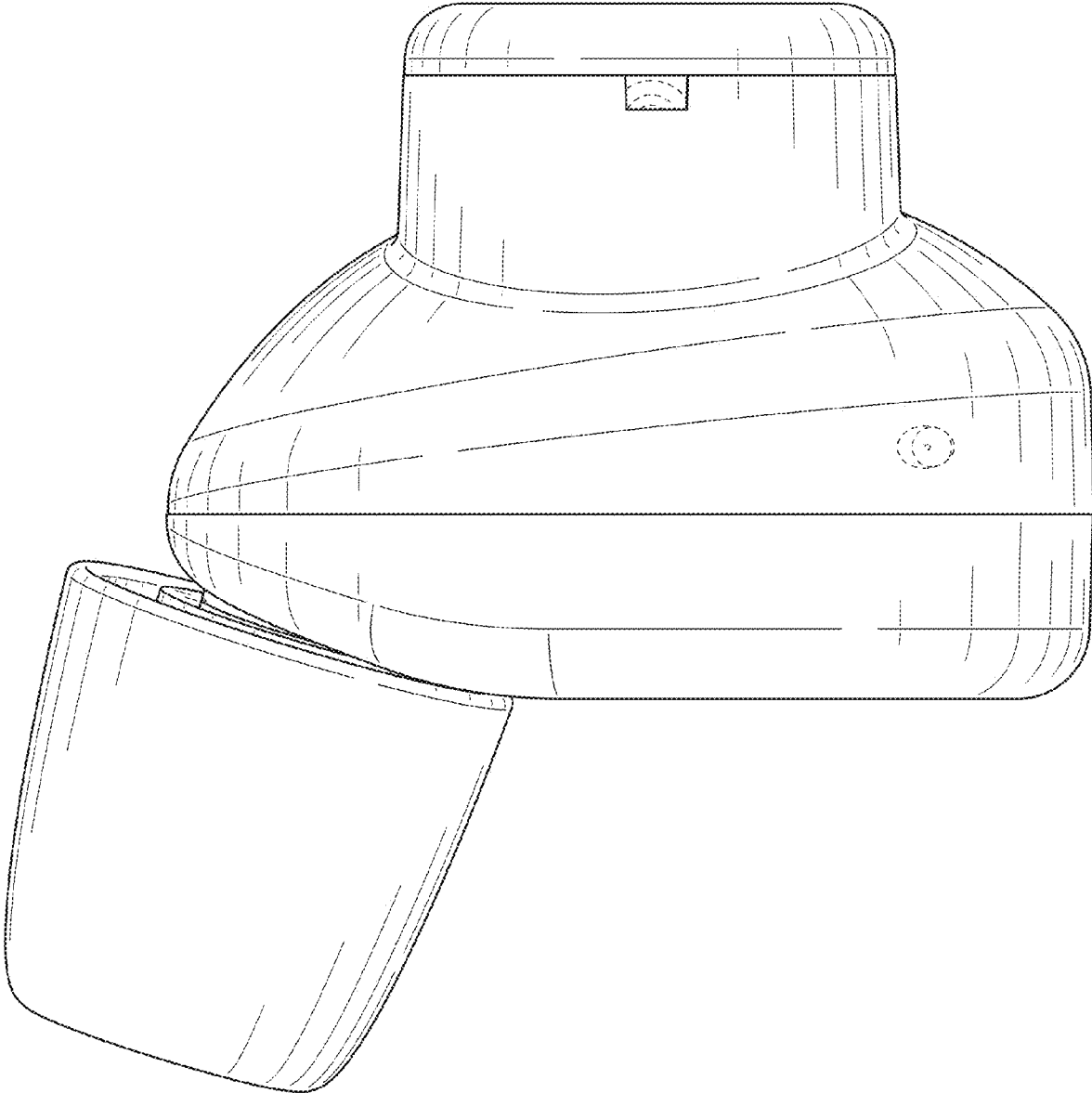


FIG. 13

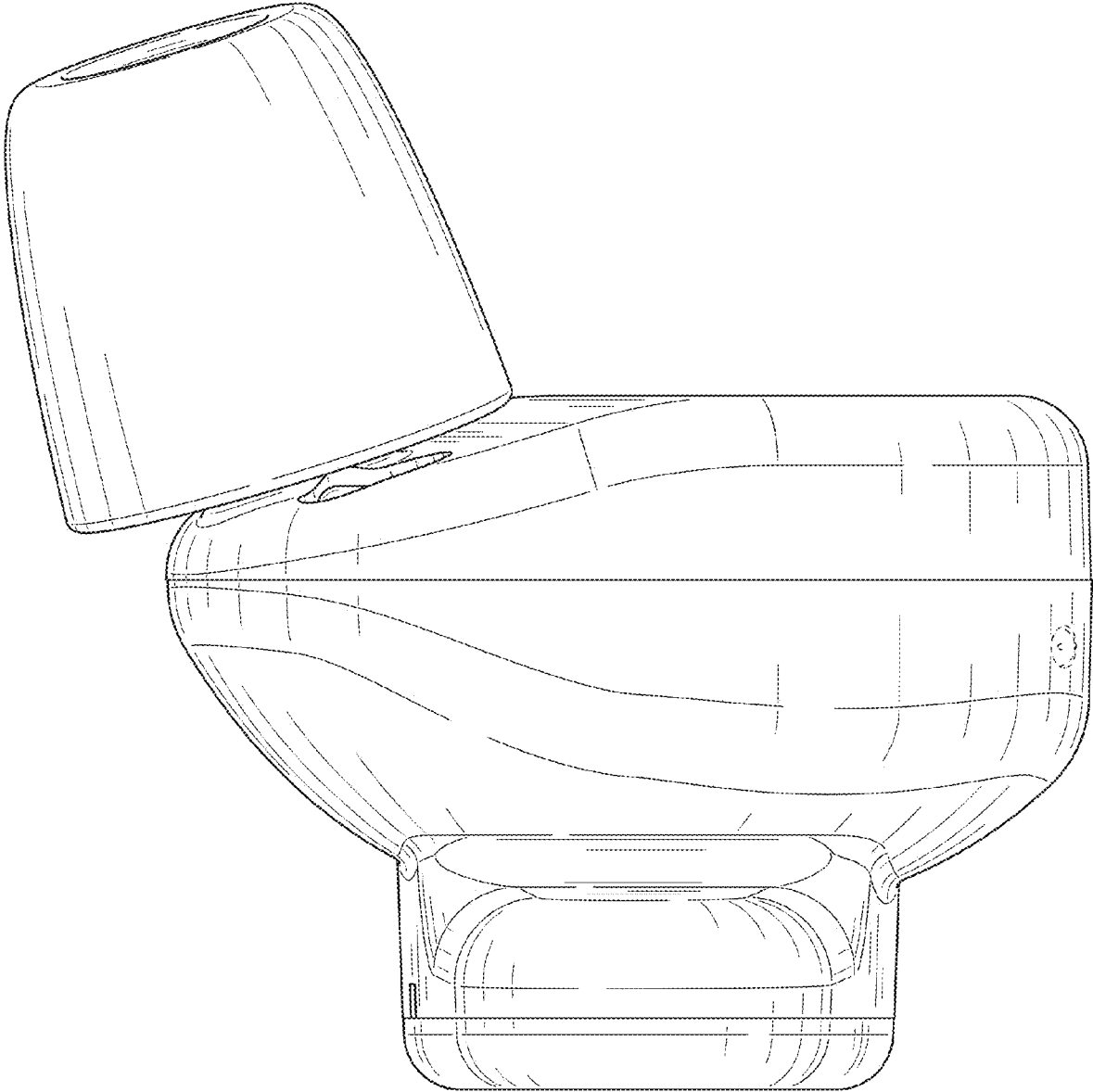


FIG. 14