



US00D601482S

(12) **United States Design Patent**
Barrou

(10) **Patent No.:** **US D601,482 S**

(45) **Date of Patent:** **** Oct. 6, 2009**

(54) **AIRCRAFT WINDOW**

(75) Inventor: **Laurent Barrou**, Castelnau
d'Estretfonds (FR)

(73) Assignee: **Airbus SAS**, Blagnac Cedex (FR)

(**) Term: **14 Years**

(21) Appl. No.: **29/333,085**

(22) Filed: **Mar. 3, 2009**

Related U.S. Application Data

(62) Division of application No. 29/295,066, filed on Sep.
20, 2007, now Pat. No. Des. 589,872.

(51) **LOC (9) Cl.** **12-07**

(52) **U.S. Cl.** **D12/345**

(58) **Field of Classification Search** D12/317-319,
D12/322-324, 326, 343, 345, 400, 183, 195;
114/78, 189; D25/52; 244/117 R, 119, 126,
244/129.1, 129.3

See application file for complete search history.

(56) **References Cited**

U.S. PATENT DOCUMENTS

3,429,530 A * 2/1969 Hertel 244/129.3

4,739,955 A *	4/1988	Aquino et al.	244/129.4
6,129,312 A *	10/2000	Weber	244/118.5
D463,357 S *	9/2002	Granzeier et al.	D12/345
6,547,184 B2 *	4/2003	Nieberle	244/119
6,786,453 B2 *	9/2004	Jones	244/129.3
D588,977 S *	3/2009	Bock	D12/345
D589,872 S *	4/2009	Barrou	D12/345

* cited by examiner

Primary Examiner—Ian Simmons

Assistant Examiner—Dana L Sipos

(74) *Attorney, Agent, or Firm*—Osler, Hoskin & Harcourt
LLP

(57) **CLAIM**

The ornamental design for an aircraft window, as shown and
described.

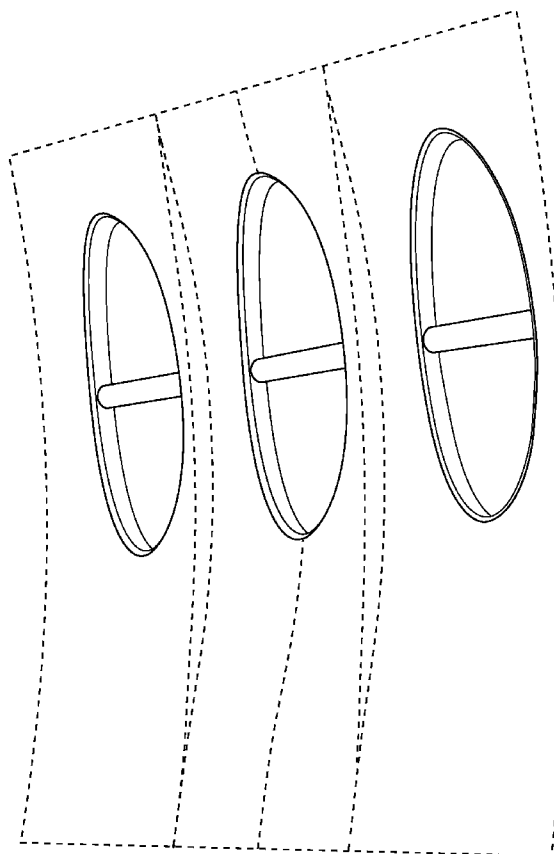
DESCRIPTION

FIG. 1 is a front and right side perspective view showing an
aircraft window according to my new design; and,

FIG. 2 is a front elevational view thereof.

Throughout the Figures, broken lines showing structure are
for illustrative purposes only and form no part of the claimed
design.

1 Claim, 2 Drawing Sheets



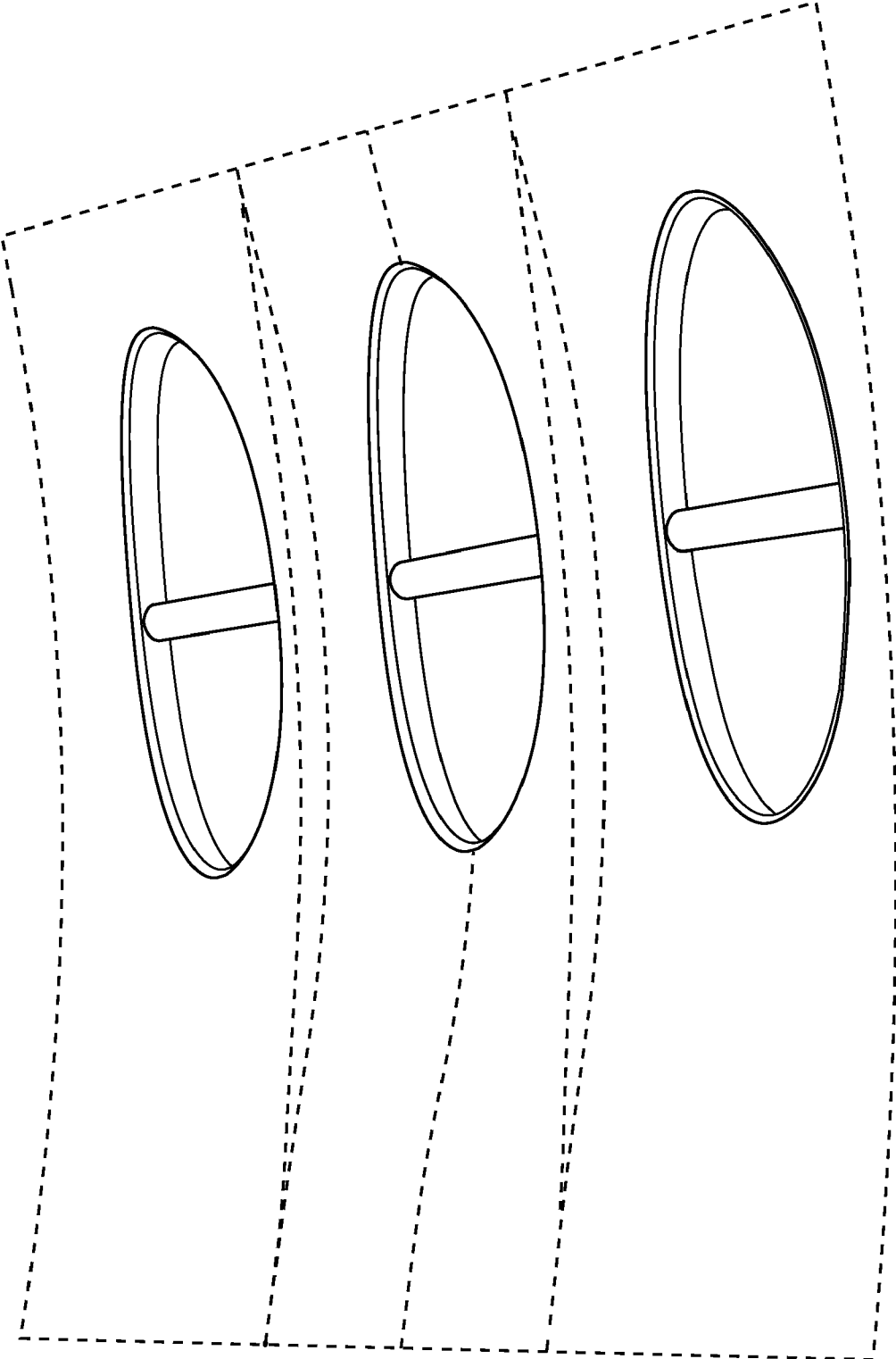


FIG. 1

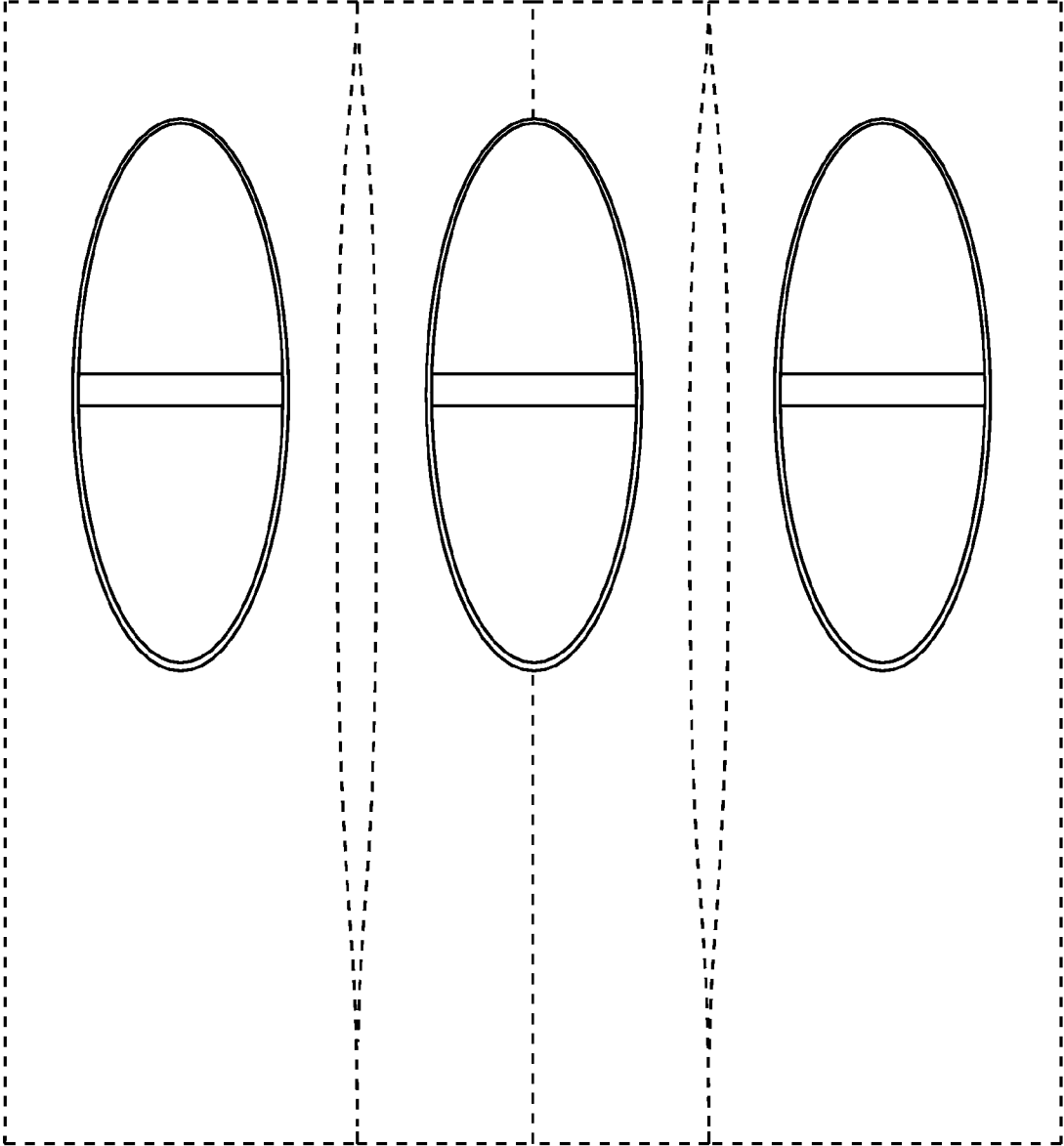


FIG. 2