



US00D732034S

(12) **United States Design Patent**
Chen et al.

(10) **Patent No.:** **US D732,034 S**

(45) **Date of Patent:** **** Jun. 16, 2015**

(54) **SCANNER**

(71) Applicant: **AVISION INC.**, Hsinchu (TW)

(72) Inventors: **Chi-Yao Chen**, Nanjhuang Township, Miaoli County (TW); **Jui Cheng Liu**, Nantou (TW); **Chao Yu Peng**, Hsinchu (TW)

(73) Assignee: **Avision Inc.** (TW)

(**) Term: **14 Years**

(21) Appl. No.: **29/489,171**

(22) Filed: **Apr. 28, 2014**

(30) **Foreign Application Priority Data**

Mar. 10, 2014 (TW) 103301330

(51) **LOC (10) Cl.** **14-02**

(52) **U.S. Cl.**
USPC **D14/420**

(58) **Field of Classification Search**

USPC D14/420-425; D18/55, 49, 46, 40, D18/36-39, 41, 44, 45, 47, 48, 50-54, 56; 235/462, 455, 470, 462.43, 482, 483; 358/474, 486, 488, 496, 497, 498, 452, 358/449, 451, 453, 1.13; 318/685, 696; 355/81, 75; 399/405, 367, 379, 380; 382/217; 715/209, 222, 226, 274; 400/613, 613.1-613.4, 690.1-690.4, 400/691-694

CPC H04N 1/00; H04N 1/12; H04N 1/00013; H04N 1/00015; H04N 1/00018; H04N 1/00026; H04N 1/00557; H04N 1/00564; H04N 1/00567; H04N 1/0057; H04N 1/00572; H04N 1/00586; H04N 1/00588; H04N 1/00591; H04N 1/00594; H04N 1/00596; H04N 1/00604; H04N 1/00519; H04N 1/00559; H04N 1/1013; H04N 1/10; H04N 1/00551; H04N 1/00278; H04N 2201/0456; H04N 2201/0446; H04N 2201/00; H04N

2201/0094; G03G 15/0142; G03G 15/605; G03G 15/602; B65H 5/26; B65H 5/30; B65H 5/36; B65H 7/00; B65H 2402/515; B65H 2402/31; B65H 2511/20; B65H 2511/414; B65H 2513/42; B65H 2801/39; B65H 2801/31; B65H 2215/00189; B65H 2215/00194; B65H 2215/00198; B65H 2215/00202; B65H 2215/00206; B65H 2215/20; B65H 2301/00; B65H 2220/04; B65H 3/5261

See application file for complete search history.

(56) **References Cited**

U.S. PATENT DOCUMENTS

D222,471	S	*	10/1971	Shebanow et al.	D14/385
4,962,980	A	*	10/1990	Knowles	359/213.1
5,115,333	A	*	5/1992	Mergenthaler et al.	359/196.1
D327,878	S	*	7/1992	Fukutake et al.	D14/420
D341,572	S	*	11/1993	Kuroki	D14/388
5,467,403	A	*	11/1995	Fishbine et al.	382/116
5,472,182	A	*	12/1995	Han	271/3.13
5,538,237	A	*	7/1996	Miyauchi	271/117
5,581,076	A	*	12/1996	Tabata	250/208.1
5,588,621	A	*	12/1996	Collins et al.	248/27.1
5,644,663	A	*	7/1997	Saito et al.	382/313

(Continued)

Primary Examiner — Susan Moon Lee

(57) **CLAIM**

The ornamental design for a scanner, as shown and described.

DESCRIPTION

FIG. 1 is a left perspective view of a scanner showing our new design;

FIG. 2 is a front view thereof;

FIG. 3 is a rear view thereof;

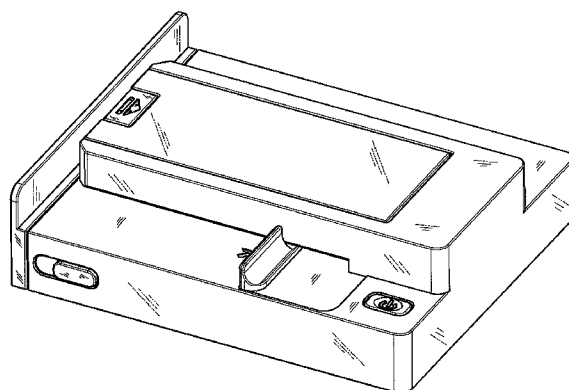
FIG. 4 is a left side view thereof;

FIG. 5 is a right side view thereof;

FIG. 6 is a top plan view thereof; and,

FIG. 7 is a bottom plan view thereof.

1 Claim, 7 Drawing Sheets



(56)

References Cited

U.S. PATENT DOCUMENTS

5,663,811 A * 9/1997 Shimizu 358/473
 D415,128 S * 10/1999 Kitera D14/422
 5,973,792 A * 10/1999 Matsuda 358/448
 6,014,470 A * 1/2000 Matsuda 382/275
 6,496,285 B1 * 12/2002 Fujimoto et al. 358/475
 6,580,526 B1 * 6/2003 Suzuki et al. 358/473
 6,765,702 B2 * 7/2004 Tang et al. 358/497
 6,816,624 B1 * 11/2004 Ebisawa et al. 382/275
 7,042,599 B2 * 5/2006 Yokota et al. 358/475
 D522,511 S * 6/2006 Sekou D14/385
 D530,631 S * 10/2006 Tsuruta et al. D10/46
 D555,652 S * 11/2007 Kitamura et al. D14/420
 7,621,497 B2 * 11/2009 Wallace 248/343
 7,636,182 B2 * 12/2009 Guo 358/497
 D623,974 S * 9/2010 Shigeno et al. D10/97
 7,954,988 B2 * 6/2011 Lee et al. 362/555
 8,079,265 B2 * 12/2011 Brignac et al. 73/627
 D669,473 S * 10/2012 Gronau et al. D14/420
 8,358,447 B2 * 1/2013 Kim et al. 358/474
 8,681,396 B2 * 3/2014 Horiguchi et al. 358/474
 D720,352 S * 12/2014 Cox et al. D14/420
 2001/0015806 A1 * 8/2001 Baker 356/402
 2003/0012036 A1 * 1/2003 Uemura et al. 362/555

2004/0233930 A1 * 11/2004 Colby, Jr. 370/464
 2005/0243446 A1 * 11/2005 Wood 359/846
 2006/0291065 A1 * 12/2006 Hasei et al. 359/619
 2007/0125864 A1 * 6/2007 Hayakawa 235/462.43
 2008/0084589 A1 * 4/2008 Malzbender 358/493
 2008/0142603 A1 * 6/2008 Mynhardt 235/462.43
 2009/0051929 A1 * 2/2009 Koh et al. 356/602
 2009/0103107 A1 * 4/2009 Nygaard 356/602
 2009/0116146 A1 * 5/2009 Miura et al. 360/133
 2009/0206243 A1 * 8/2009 Eisen 250/227.11
 2010/0077089 A1 * 3/2010 Konishi et al. 709/228
 2010/0133344 A1 * 6/2010 Yamanouchi et al. ... 235/462.43
 2010/0195166 A1 * 8/2010 Sawada et al. 358/475
 2011/0102861 A1 * 5/2011 Nuttall et al. 358/474
 2011/0286050 A1 * 11/2011 Wakabayashi 358/474
 2011/0292465 A1 * 12/2011 Sugiyama et al. 358/474
 2012/0019876 A1 * 1/2012 Murray 358/474
 2012/0099162 A1 * 4/2012 Murosaki 358/474
 2012/0105920 A1 * 5/2012 Murray 358/474
 2012/0120459 A1 * 5/2012 Ono 358/474
 2012/0120461 A1 * 5/2012 Oshima et al. 358/474
 2013/0033730 A1 * 2/2013 Yu et al. 358/474
 2013/0107328 A1 * 5/2013 Tomioka 358/474
 2014/0029066 A1 * 1/2014 Liu et al. 358/474
 2014/0092444 A1 * 4/2014 Lee et al. 358/474
 2014/0333974 A1 * 11/2014 Sugiyama 358/474

* cited by examiner

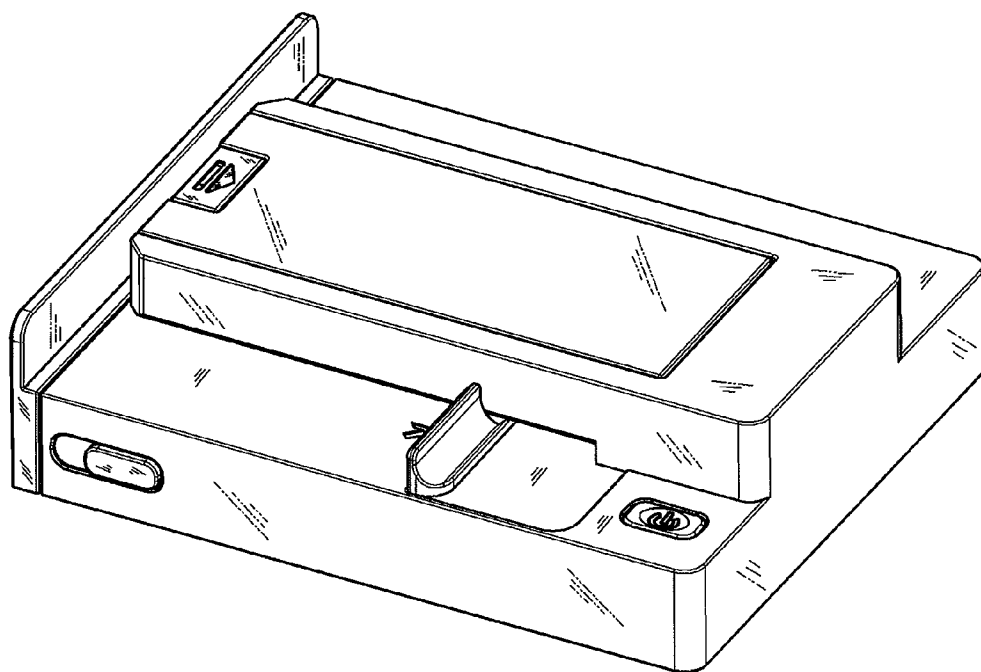


FIG. 1

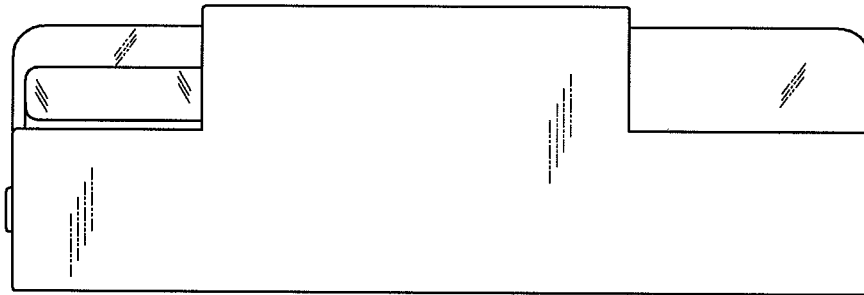


FIG. 2

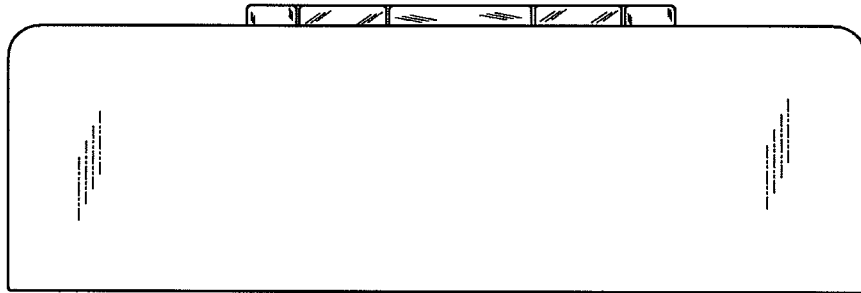


FIG. 3

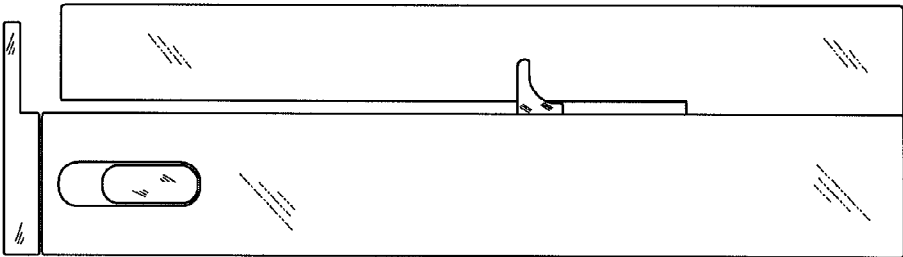


FIG. 4

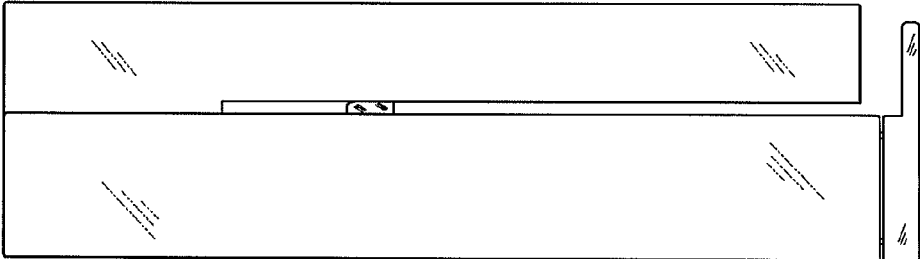


FIG. 5

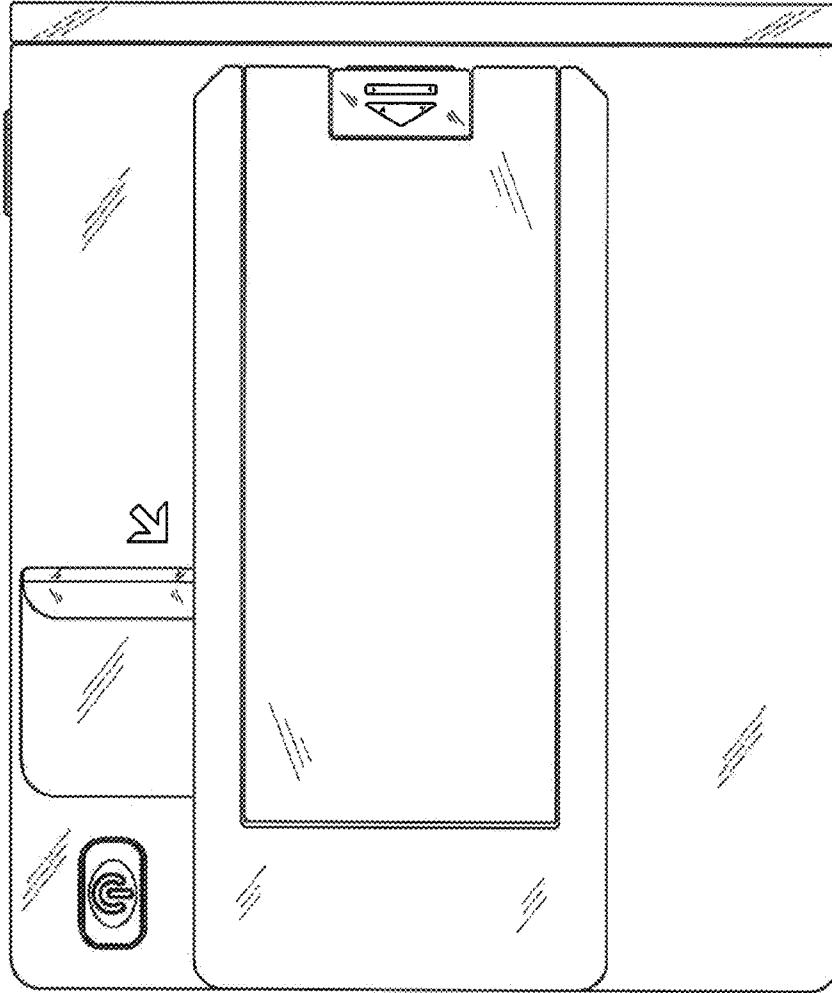


FIG. 6

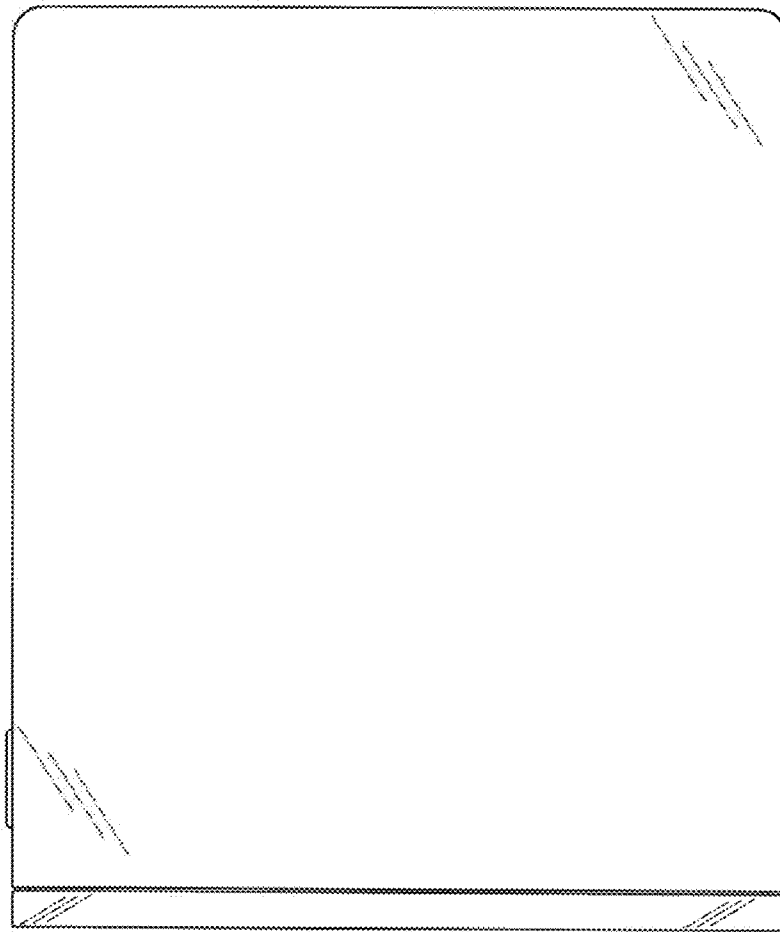


FIG. 7