



US00D343989S

# United States Patent [19]

[11] Patent Number: **Des. 343,989**

Falk

[45] Date of Patent: **\*\* Feb. 8, 1994**

[54] **COUNTER TOP GRILL APPLIANCE**  
 [75] Inventor: **Donald G. Falk, Louisville, Ky.**  
 [73] Assignee: **General Electric Company, Louisville, Ky.**

D. 299,305 1/1989 Vollborn ..... D7/332  
 D. 303,604 9/1989 Beach et al. .... D7/346  
 D. 303,605 9/1989 Davis et al. .... D7/346  
 3,596,650 8/1971 Cerola ..... D7/346

[\*\*] Term: **14 Years**

*Primary Examiner*—Ruth McInroy  
*Attorney, Agent, or Firm*—H. Neil Houser; Radford M. Reams

[21] Appl. No.: **756,762**

### [57] CLAIM

[22] Filed: **Sep. 9, 1991**

The ornamental design for a counter top grill appliance, as shown and described.

[52] U.S. Cl. .... **D7/407**

[58] Field of Search ..... **D7/339-340, D7/346-347, 332, 338, 402, 407-409; 126/39 R, 39 J, 39 E, 39 H, 211, 214 C, 214 D, 215, 299 D, 300, 220; 99/422, 444-446, 450, 460; 219/443, 458**

### DESCRIPTION

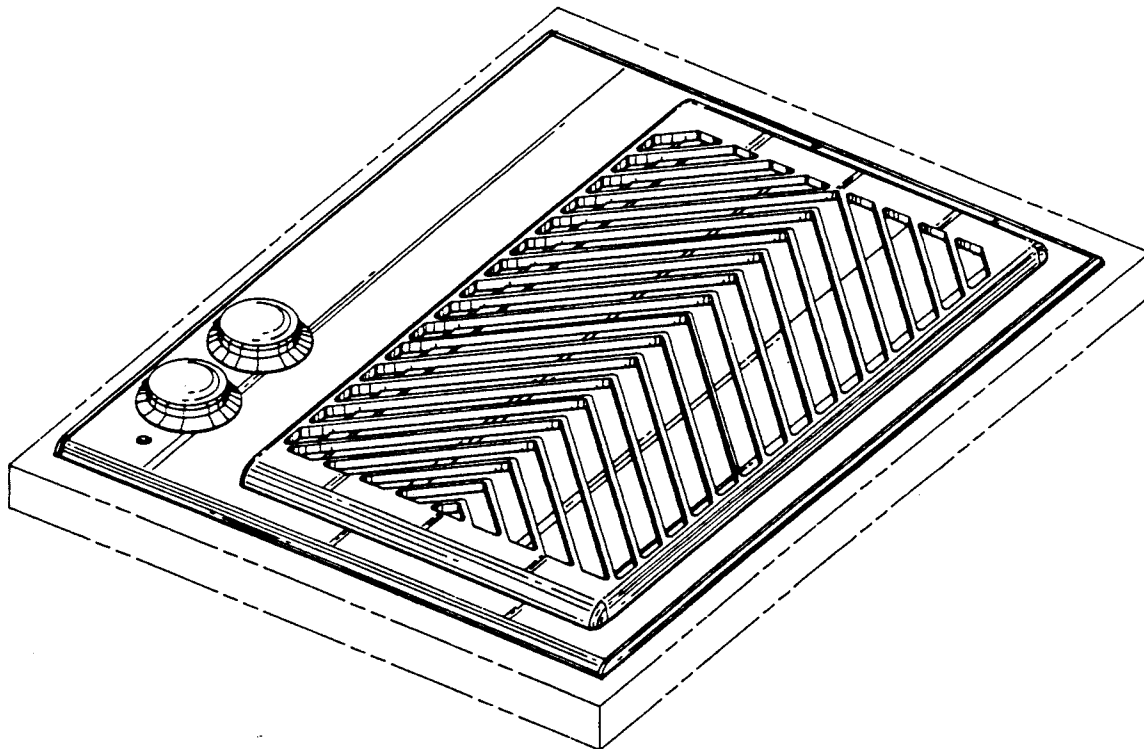
FIG. 1 is a top perspective view of a counter top grill appliance for surface cooking showing my new design; FIG. 2 is a side elevational view thereof; and, FIG. 3 is an end elevational view thereof.

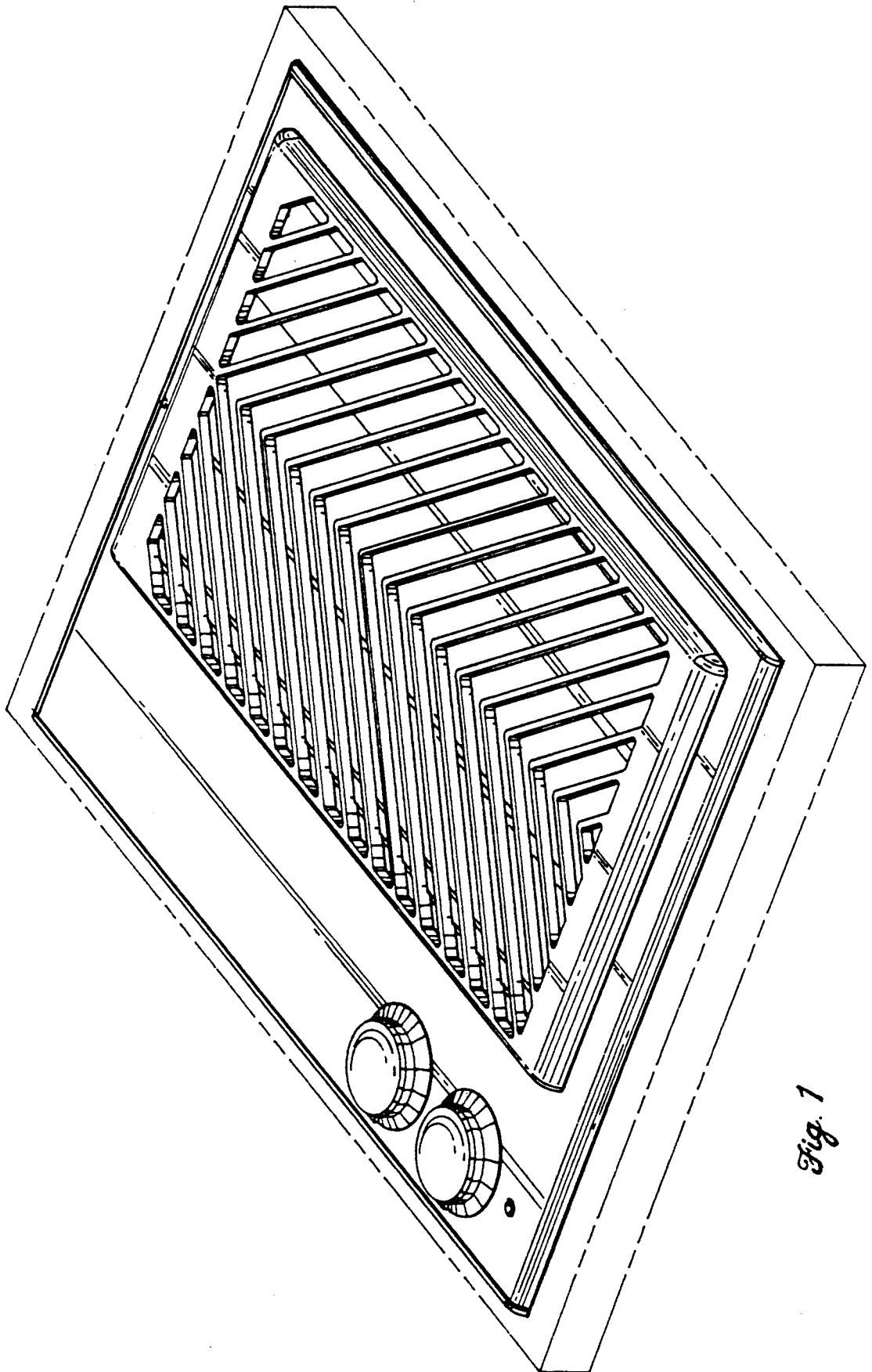
### [56] References Cited

#### U.S. PATENT DOCUMENTS

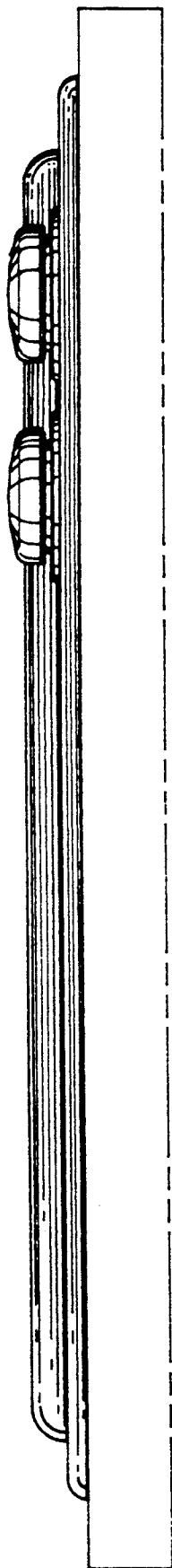
D. 85,696 12/1931 Hoffstetter et al. .... D7/402  
 D. 204,221 3/1966 Rawald ..... D7/346

The portion shown in broken lines in FIGS. 1-3 is shown for illustrative purposes only and forms no part of the claimed design. The undisclosed bottom is flat and unornamented.

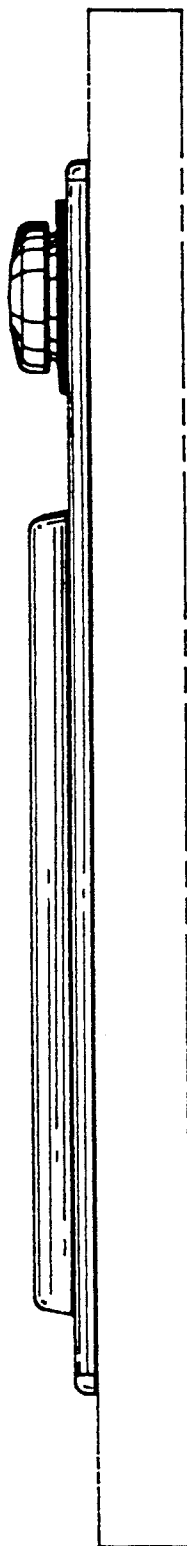




*Fig. 1*



*Fig. 2*



*Fig. 3*