

620060

AUSTRALIA

Patents Act 1990

NOTICE OF ENTITLEMENT

We, INTERLEGO A.G.

of SONDERKAER 428
DK-7190 BILLUND
DENMARK

being the applicant in respect of Application No. 27935/89
state the following:-

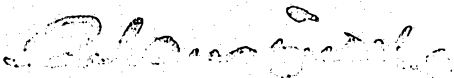
The person nominated for the grant of the patent:

INTERLEGO A.G.

has for the following reasons, gained entitlement:

The applicant is the assignee of the actual
inventor and then assigned the rights to this
invention to Lego A/S which in turn assigned the
rights to the invention back to the applicant.

INTERLEGO A.G.



(for and on behalf of
the applicant)

29 November 1991
Date

Commonwealth of Australia The Patents Act 1952 DECLARATION IN SUPPORT

In support of the (Convention) Application made by:

LEGO A/S
Aastvej 1, DK-7190 Billund, DENMARK

for a patent for an invention entitled:

A toy wash

I (We)

~~of the applicant company do solemnly and sincerely declare as follows:~~
~~Herbert Bang & Bosted A/S~~ Debit No: 168342

Adelgade 15
~~Copenhagen K, DK-1304~~ Date: 25 Oct 91
~~and I (We) are the applicant(s) for the patent~~
DENMARK

b) I am (We are) authorised by the applicant(s) for the patent ~~to make this declaration in support of~~

Delete the following if not a Convention Application.

Your Ref:

The basic application(s) as defined by section 141 (142) of the Act was (were) ~~000 000~~ AU

on December 1987 Patent Application
No. 27935/89
on INTERLEGO A.G. in

on
To
by

our services in receiving and considering your \$216.00
instructions dated 9 September 1991, preparing
The basic application(s) referred to in this paragraph is (are) the first application(s) made in
and filing submissions to the Examiner's First
a Convention country in respect of the invention the subject of the application.
Report and forwarding same to yourselves

~~a) I (We) are the actual inventor(s) of the invention~~

or
b) Erling Thue Dideriksen
Sønderkær 428 Amount Due \$216.00
DK-7190 Billund
DENMARK Australian dollars

is (are) the actual inventor(s) of the invention and the facts upon which LEGO A/S dollars

is (are) entitled to make the application are as follows:

The applicant is the assignee of the actual inventor

Declared at Billund this 23rd day of April 19 90

Signed  Status Chairman of the Board

Declarant's Name Godtfred Kirk Christiansen

(12) PATENT ABRIDGMENT (11) Document No. AU-B-27935/89
(19) AUSTRALIAN PATENT OFFICE (10) Acceptance No. 620060

(54) Title
A TOY WASH

International Patent Classification(s)
(51)⁴ **A63H 017/44 A63H 033/30**

(21) Application No. : **27935/89**

(22) Application Date : **01.12.88**

(87) PCT Publication Number : **WO89/05180**

(30) Priority Data

(31) Number	(32) Date	(33) Country
6323/87	02.12.87	DK DENMARK

(43) Publication Date : **05.07.89**

(44) Publication Date of Accepted Application : **13.02.92**

(71) Applicant(s)
INTERLEGO AG

(72) Inventor(s)
ERLING THUE DIDERIKSEN

(74) Attorney or Agent
GRIFFITH HACK & CO , GPO Box 1285K, MELBOURNE VIC 3001

(56) Prior Art Documents
FR 2064739
DE 3215214

(57) Claim

1. A toy wash comprising a frame, at least one arm pivotally connected to said frame, a cylindrical wash brush disposed about a shaft and journalled to said arm, said arm protruding transversely to said shaft and an arc-shaped, elastic connector extending between said frame and said arm to spring bias said arm.

2. A wash as claimed in claim 1, wherein said wash is formed of toy building set components each having complimentary mechanical coupling means and said connector has coupling means at each end thereof, said coupling means being adapted to be releasably coupled to coupling means on the pivotal arm and coupling means of the components of said toy building set.

620060

OPI DATE 05/07/89

APPLN. ID 27935 / 89

AOJP DATE 27/07/89

PCT NUMBER PCT/DK88/00199

INTERNATIONAL APPLICATION PUBLISHED UNDER THE PATENT COOPERATION TREATY (PCT)

(51) International Patent Classification⁴ :

A63H 17/44, 33/30

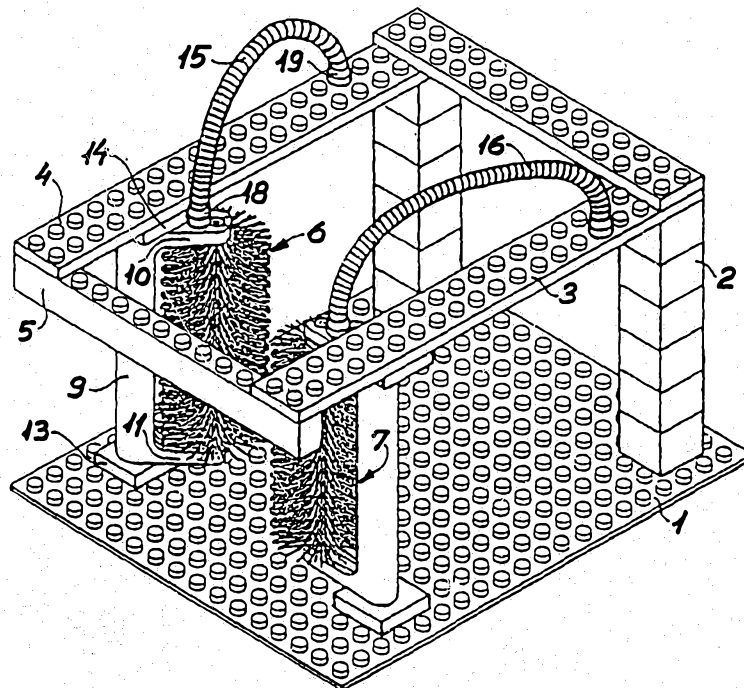
A1

(11) International Publication Number:

WO 89/ 05180

(43) International Publication Date:

15 June 1989 (15.06.89)

(21) International Application Number: PCT/DK88/00199**(22) International Filing Date:** 1 December 1988 (01.12.88)**(31) Priority Application Number:** 6323/87**(32) Priority Date:** 2 December 1987 (02.12.87)**(33) Priority Country:** DK**(71) Applicant (for AU BR GB only):** INTERLEGO AG [CH/CH]; Sihlbruggstrasse 3, CH-6340-Baar-(CH).
Weinmattstrasse 21, CH-6340 BAAR, SWITZERLAND**(71) Applicant (for all designated States except AU BR GB US):** LEGO A/S [DK/DK]; Aastvej 1, DK-7190 Billund (DK).**(72) Inventor; and****(75) Inventor/Applicant (for US only) :** DIDERIKSEN, Erling, Thue [DK/DK]; Sønderkær 428, DK-7190 Billund (DK).**(74) Agent:** HOFMAN-BANG & BOUTARD A/S; Adelgade 15, DK-1304 Copenhagen K (DK).**(81) Designated States:** AT, AT (European patent), AU, BB, BE (European patent), BG, BJ (OAPI patent), BR, CF (OAPI patent), CG (OAPI patent), CH, CH (European patent), CM (OAPI patent), DE, DE (European patent), DK, FI, FR (European patent), GA (OAPI patent), GB, GB (European patent), HU, IT (European patent), JP, KP, KR, LK, LU, LU (European patent), MC, MG, ML (OAPI patent), MR (OAPI patent), MW, NL, NL (European patent), NO, RO, SD, SE, SE (European patent), SN (OAPI patent), SU, TD (OAPI patent), TG (OAPI patent), US.**Published***With international search report.***(54) Title:** A TOY WASH**(57) Abstract**

A toy wash, which is preferably built by means of elements from a toy building set, comprises, in a preferred embodiment, two brush assemblies (6, 7) comprising a cylindrical brush which is rotatably journaled in a bracket (9) which is journaled pivotally about a vertical axis. An elastic connector (15, 16) is connected between respective brackets and a pair of carrier beams (3, 4), thus providing at the same time biasing of the brush assemblies with a spring force which acts on the assemblies in a direction toward a front beam (5), and the connectors (15, 16) are also so constructed that they resemble the hose and cable connections which are present in a real life wash between its frame and brushes.

A Toy Wash

The invention concerns a toy wash comprising a frame and cylindrical wash brushes which are journalled in at least one pivotable arm which protrudes transversely to the shaft of the brush and is pivotably connected with the frame. Such a toy is known in principle from the British Patent Application 2 092 463, but this known toy is very complicated and expensive.

The object of the invention is to provide a toy wash which is very simple and also has a great play effect. In particular, the toy wash can be built by means of components belonging to a building set so that there are many possible combinations where simplicity as well as resemblance to real life can be achieved.

This object is achieved in that the toy wash is constructed so that the elastic connector serves both as a spring and to resemble the hoses and cables which are present between the brushes and the frame in real life.

Such a wash can be built by means of very simple components belonging to a building set. The connector end coupled to the frame can be moved about on the various coupling means of the frame, thus changing the spring effect and the visual impression.

The invention will be explained more fully by the following description of an embodiment with reference to the drawing, in which

fig. 1 is a perspective view of an embodiment of the wash,



fig. 2 shows a brush element associated with the wash of fig. 1, while

fig. 3 shows a connector for the wash shown in fig. 1.

5

The embodiment of the toy wash of the invention shown in fig. 1 is built by means of a building set of a well-known type. The building set comprises i.a. a base plate 1, box-shaped building blocks 2, flat connecting beams 3, 4, a high connecting beam 5 as well as a pair of wash brush elements 6, 7 of the type shown in fig. 2. As appears from the drawing, the building elements are provided with a plurality of coupling studs and have recesses on the underside for cooperation with the coupling studs, so that various toy models can be built by means of the building set.

10
15

The brush element in fig. 2 comprises a cylindrical brush 8 and a bracket 9 with a pair of transverse arms 10, 11 which are adapted to receive the shaft 12 of the brush. The bracket 9 is rotatably journalled in a lower and an upper connecting plate 13, 14, the connecting plate 14 of which has four coupling studs on the upper side, and the connecting plate 13 is formed on its underside with cavities to receive such coupling studs. The brush assembly can hereby easily be incorporated, as shown in the model of fig. 1.

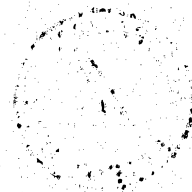
20

25

As appears from fig. 1, a respective connector 15, 16 is present between the transverse arms 10 and the frame formed by the building elements. The connectors are oblong and elastic and are mounted with such an arc shape that they bias the respective brush assembly in a direction toward the connecting beam 5. The brush assemblies 6 and 7 are shown in different positions, and it will be

30

35



appreciated that when a toy car is driven through the wash assembly, the brushes swing elastically aside depending upon the size of the car, and return to the position of rest when the car is driven out of the wash assembly.

- 5 The play effect is enhanced additionally in that the arc-shaped connectors give an impression of the hoses and cables which are present in real life wash assemblies.

Fig. 3 shows an example of an oblong, elastic connector
10 17 which has a coupling means 18, 19 at each end. The last-mentioned coupling means are adapted to cooperate with the coupling studs of the toy building set, in particular the coupling stud 20 shown on the arm 10. When the
coupling means 19 is moved about on the coupling studs
15 of the connector 4, the arc shape of the connector 15 may be changed, thereby changing both the spring effect and the visual impression.

Patent Claims

1. A toy wash comprising a frame, at least one arm pivotally connected to said frame, a cylindrical wash brush disposed about a shaft and journalled to said arm, said arm protruding transversely to said shaft and an arc-shaped, elastic connector extending between said frame and said arm to spring bias said arm.

2. A wash as claimed in claim 1, wherein said wash is formed of toy building set components each having complimentary mechanical coupling means and said connector has coupling means at each end thereof, said coupling means being adapted to be releasably coupled to coupling means on the pivotal arm and coupling means of the components of said toy building set.

DATED THIS 28TH DAY OF OCTOBER, 1991

INTERLEGO AG
By Its Patent Attorneys

GRIFFITH HACK & CO.
Fellows Institute of Patent
Attorneys of Australia



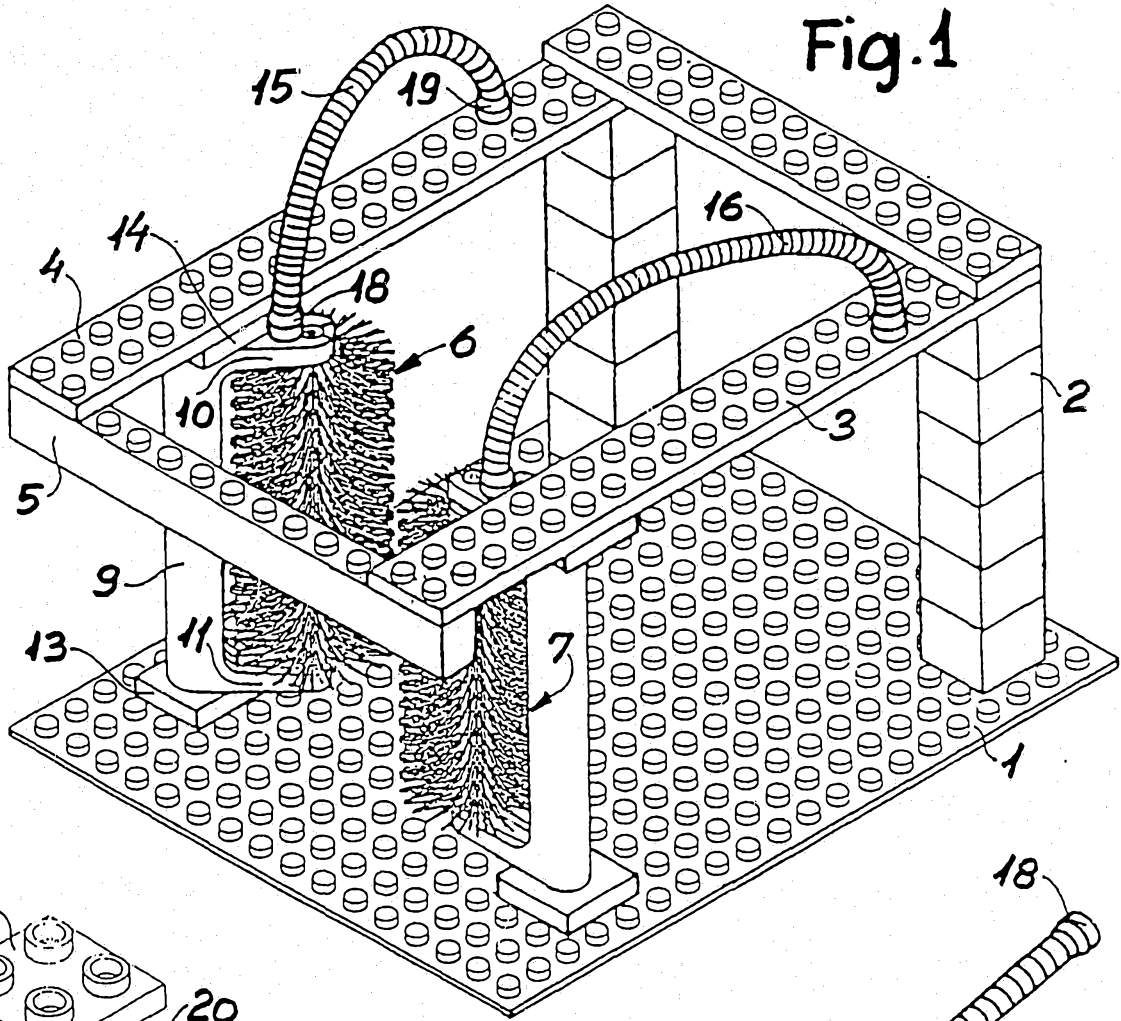


Fig. 1

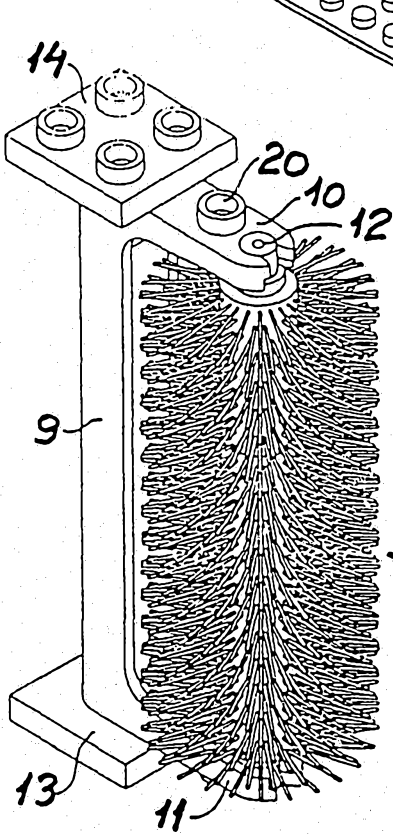


Fig. 2

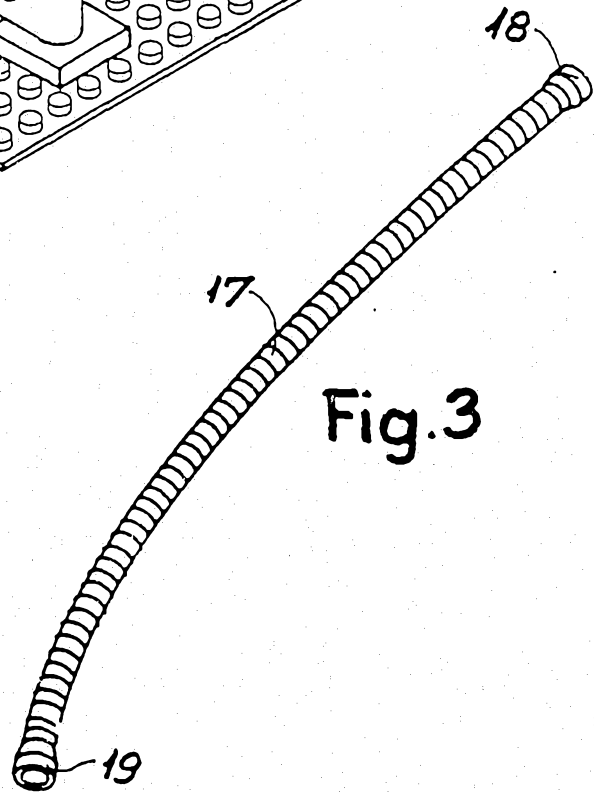
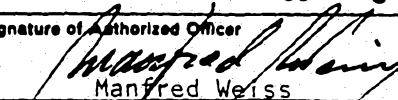


Fig. 3

INTERNATIONAL SEARCH REPORT

International Application No PCT/DK 88/00199

I. CLASSIFICATION OF SUBJECT MATTER (if several classification symbols apply, indicate all) ⁶		
According to International Patent Classification (IPC) or to both National Classification and IPC ⁴		
A 63 H 17/44, A 63 H 33/30		
II. FIELDS SEARCHED		
Minimum Documentation Searched ⁷		
Classification System	Classification Symbols	
IPC 4	A 63 H 17/00, /44, 23/16, 33/00, /30	
US Cl.	<u>46</u> : 1, 12, 39, 40; <u>446</u> : 153, 423	
Documentation Searched other than Minimum Documentation to the Extent that such Documents are Included in the Fields Searched ⁸		
SE, NO, DK, FI classes as above		
III. DOCUMENTS CONSIDERED TO BE RELEVANT ⁹		
Category ¹⁰	Citation of Document, ¹¹ with indication, where appropriate, of the relevant passages ¹²	Relevant to Claim No. ¹³
A	DE,, B, 1 074 461 (MAX ERNST) 28 January 1960	1-2
A	DE, A1, 3 215 214 (NEUHIERL, HERRMANN) 3 November 1983	1-2
A	FR, B, 2 064 739 (JOUETS KAD) 23 July 1971	1-2
A	US, A, 2 776 522 (E SCHRAMM et al.) 8 January 1957	1-2
A	US, A, 3 751 847 (NEUHIERL) 14 August 1973	1-2
A	US, A, 4 356 657 (GOLDFARB et al.) 2 November 1982	1-2
<p>¹⁰ Special categories of cited documents: ¹⁰</p> <p>"A" document defining the general state of the art which is not considered to be of particular relevance</p> <p>"E" earlier document but published on or after the international filing date</p> <p>"L" document which may throw doubt on priority claim(s) or which is cited to establish the publication date of another citation or other special reason (as specified)</p> <p>"O" document referring to an oral disclosure, use, exhibition or other means</p> <p>"P" document published prior to the international filing date but later than the priority date claimed</p> <p>"T" later document published after the international filing date or priority date and not in conflict with the application but cited to understand the principle or theory underlying the invention</p> <p>"X" document of particular relevance; the claimed invention cannot be considered novel or cannot be considered to involve an inventive step</p> <p>"Y" document of particular relevance; the claimed invention cannot be considered to involve an inventive step when the document is combined with one or more other such documents, such combination being obvious to a person skilled in the art.</p> <p>"A" document member of the same patent family</p>		
IV. CERTIFICATION		
Date of the Actual Completion of the International Search	Date of Mailing of this International Search Report	
1989-03-10	1989-03-13	
International Searching Authority	Signature of Authorized Officer	
Swedish Patent Office	 Manfred Weiss	