

(19) World Intellectual Property Organization
International Bureau



(43) International Publication Date
11 January 2007 (11.01.2007)

PCT

(10) International Publication Number
WO 2007/005585 A3

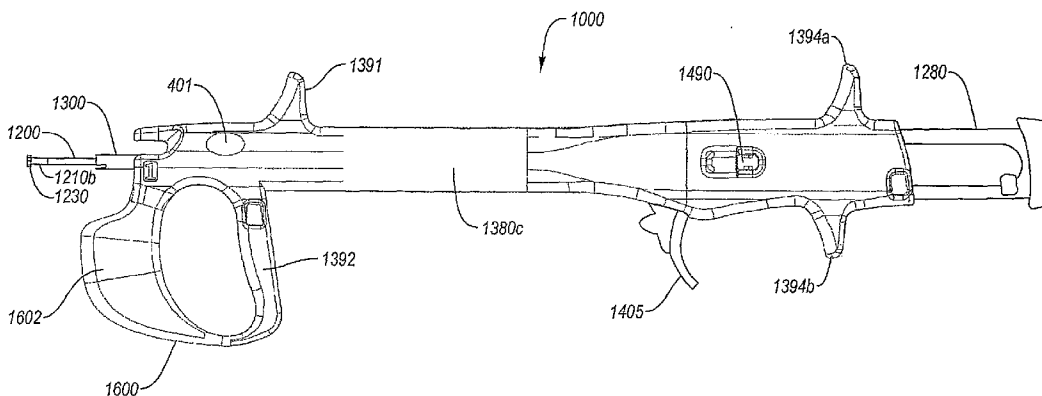
- (51) International Patent Classification:
A61B 17/00 (2006.01) A61B 17/064 (2006.01)
A61B 17/068 (2006.01) A61B 17/122 (2006.01)
- (21) International Application Number:
PCT/US2006/025538
- (22) International Filing Date: 29 June 2006 (29.06.2006)
- (25) Filing Language: English
- (26) Publication Language: English
- (30) Priority Data:
60/696,069 1 July 2005 (01.07.2005) US
11/427,297 28 June 2006 (28.06.2006) US
- (71) Applicant (for all designated States except US): **ABBOTT LABORATORIES** [US/US]; 400 Saginaw Drive, Redwood City, CA 94063 (US).
- (72) Inventors; and
- (75) Inventors/Applicants (for US only): **WALBERG, Erik, K.** [US/US]; 1901 Terry Lane, Redwood City, CA 94061 (US). **REYNOLDS, Timothy, C.** [US/US]; 608 Conrado Terrace #3, Sunnyvale, CA 94085 (US). **ELLINGWOOD, Brian, A.** [US/US]; Po Box 60113, Sunnyvale, CA 95051 (US). **JAIR, Kai, Yen kai** [US/US]; 7100 Rainbow Drive #14, San Jose, CA 95129 (US). **PANTAGES, Anthony** [US/US]; 1839 Curtner Avenue, San Jose, CA 95124 (US).
- (74) Agents: **RICHARDS, Jonathan, W.** et al.; WORKMAN NYDEGGER, 1000 EAGLE GATE TOWER, 60 East South Temple, Salt Lake City, UT 84111 (US).
- (81) Designated States (unless otherwise indicated, for every kind of national protection available): AE, AG, AL, AM, AT, AU, AZ, BA, BB, BG, BR, BW, BY, BZ, CA, CH, CN, CO, CR, CU, CZ, DE, DK, DM, DZ, EC, EE, EG, ES, FI, GB, GD, GE, GH, GM, HN, HR, HU, ID, IL, IN, IS, JP, KE, KG, KM, KN, KP, KR, KZ, LA, LC, LK, LR, LS, LT, LU, LV, LY, MA, MD, MG, MK, MN, MW, MX, MZ, NA, NG, NI, NO, NZ, OM, PG, PH, PL, PT, RO, RS, RU, SC, SD, SE, SG, SK, SL, SM, SY, TJ, TM, TN, TR, TT, TZ, UA, UG, US, UZ, VC, VN, ZA, ZM, ZW.
- (84) Designated States (unless otherwise indicated, for every kind of regional protection available): ARIPO (BW, GH, GM, KE, LS, MW, MZ, NA, SD, SL, SZ, TZ, UG, ZM, ZW), Eurasian (AM, AZ, BY, KG, KZ, MD, RU, TJ, TM), European (AT, BE, BG, CH, CY, CZ, DE, DK, EE, ES, FI, FR, GB, GR, HU, IE, IS, IT, LT, LU, LV, MC, NL, PL, PT, RO, SE, SI, SK, TR), OAPI (BF, BJ, CF, CG, CI, CM, GA, GN, GQ, GW, ML, MR, NE, SN, TD, TG).

Published:
— with international search report

(88) Date of publication of the international search report:
3 May 2007

For two-letter codes and other abbreviations, refer to the "Guidance Notes on Codes and Abbreviations" appearing at the beginning of each regular issue of the PCT Gazette.

(54) Title: CLIP APPLIER AND METHOD OF USE



(57) Abstract: An apparatus for placement into an opening formed in a wall of a body lumen to deploy a closure element. The apparatus comprising a housing having a handle portion formed at a distal end, the handle portion configured to be engaged by a user when advancing the housing to deploy the closure element. A locator assembly and a carrier assembly are at least partially received in the housing. The locator assembly can have one or more expansion members that can selectably contact the wall of the body lumen and a proximal end configured to cooperate with a portion of a locator control system operable to expand the one or more expansion members. A triggering system cooperates with the locator assembly and is moveable toward the one or more expansion members of the locator assembly upon the locator control system being operated to expand the one or more expansion members.

WO 2007/005585 A3

INTERNATIONAL SEARCH REPORT

International application No
PCT/US2006/025538

A. CLASSIFICATION OF SUBJECT MATTER
INV. A61B17/00 A61B17/068 A61B17/064
ADD. A61B17/122

According to International Patent Classification (IPC) or to both national classification and IPC

B. FIELDS SEARCHED

Minimum documentation searched (classification system followed by classification symbols)
A61B

Documentation searched other than minimum documentation to the extent that such documents are included in the fields searched

Electronic data base consulted during the international search (name of data base and, where practical, search terms used)

EPO-Internal, WPI Data

C. DOCUMENTS CONSIDERED TO BE RELEVANT

Category*	Citation of document, with indication, where appropriate, of the relevant passages	Relevant to claim No.
X	WO 2004/069054 A2 (INTEGRATED VASCULAR SYSTEMS IN [US]; PALERMO THOMAS [US]; BELEF WILLIA) 19 August 2004 (2004-08-19)	1-4, 6-10, 12-18, 20-27
Y	page 29, paragraph 3 - paragraph 4 page 37, paragraph 3	11
Y	US 2 951 482 A (SULLIVAN GREGORY B) 6 September 1960 (1960-09-06) column 2, line 20 - line 34	11

Further documents are listed in the continuation of Box C.

See patent family annex.

* Special categories of cited documents :

- *A* document defining the general state of the art which is not considered to be of particular relevance
- *E* earlier document but published on or after the international filing date
- *L* document which may throw doubts on priority claim(s) or which is cited to establish the publication date of another citation or other special reason (as specified)
- *O* document referring to an oral disclosure, use, exhibition or other means
- *P* document published prior to the international filing date but later than the priority date claimed

- *T* later document published after the international filing date or priority date and not in conflict with the application but cited to understand the principle or theory underlying the invention
- *X* document of particular relevance; the claimed invention cannot be considered novel or cannot be considered to involve an inventive step when the document is taken alone
- *Y* document of particular relevance; the claimed invention cannot be considered to involve an inventive step when the document is combined with one or more other such documents, such combination being obvious to a person skilled in the art.
- * & * document member of the same patent family

Date of the actual completion of the international search

Date of mailing of the international search report

6 February 2007

16/02/2007

Name and mailing address of the ISA/
European Patent Office, P.B. 5818 Patentlaan 2
NL - 2280 HV Rijswijk
Tel. (+31-70) 340-2040, Tx. 31 651 epo nl,
Fax: (+31-70) 340-3016

Authorized officer

Angeli, Markus

INTERNATIONAL SEARCH REPORT

International application No.
PCT/US2006/025538

Box II Observations where certain claims were found unsearchable (Continuation of item 2 of first sheet)

This International Search Report has not been established in respect of certain claims under Article 17(2)(a) for the following reasons:

1. Claims Nos.:
because they relate to subject matter not required to be searched by this Authority, namely:

2. Claims Nos.:
because they relate to parts of the International Application that do not comply with the prescribed requirements to such an extent that no meaningful International Search can be carried out, specifically:

3. Claims Nos.:
because they are dependent claims and are not drafted in accordance with the second and third sentences of Rule 6.4(a).

Box III Observations where unity of invention is lacking (Continuation of item 3 of first sheet)

This International Searching Authority found multiple inventions in this international application, as follows:

see additional sheet

1. As all required additional search fees were timely paid by the applicant, this International Search Report covers all searchable claims.

2. As all searchable claims could be searched without effort justifying an additional fee, this Authority did not invite payment of any additional fee.

3. As only some of the required additional search fees were timely paid by the applicant, this International Search Report covers only those claims for which fees were paid, specifically claims Nos.:

4. No required additional search fees were timely paid by the applicant. Consequently, this International Search Report is restricted to the invention first mentioned in the claims; it is covered by claims Nos.:

Remark on Protest

The additional search fees were accompanied by the applicant's protest.

No protest accompanied the payment of additional search fees.

FURTHER INFORMATION CONTINUED FROM PCT/ISA/ 210

This International Searching Authority found multiple (groups of) inventions in this international application, as follows:

1. claims: 1-7

Apparatus for delivering a closure element directed to an actuation mechanism comprising a movable plunger, a tubular body block and a tubular member slidably cooperating with each other for a reduction in travel of the trigger mechanism.

2. claims: 8-13

Apparatus for delivering a closure element directed to a handle portion for advanced handling.

3. claims: 14-27

Apparatus for delivering a closure element directed to a trigger extension for advancing a carrier.

INTERNATIONAL SEARCH REPORT

Information on patent family members

International application No

PCT/US2006/025538

Patent document cited in search report	Publication date	Patent family member(s)	Publication date	
WO 2004069054	A2	19-08-2004	AT 333837 T	15-08-2006
			EP 1601292 A2	07-12-2005
			US 2006020270 A1	26-01-2006

US 2951482	A	06-09-1960	NONE	
