

(19) World Intellectual Property Organization
International Bureau



(43) International Publication Date
8 December 2005 (08.12.2005)

PCT

(10) International Publication Number
WO 2005/115524 A3

- (51) International Patent Classification:
A61F 2/06 (2006.01)
- (21) International Application Number:
PCT/IL2005/000535
- (22) International Filing Date: 25 May 2005 (25.05.2005)
- (25) Filing Language: English
- (26) Publication Language: English
- (30) Priority Data:
10/856,338 27 May 2004 (27.05.2004) US
PCT/IL2004/000456 27 May 2004 (27.05.2004) IL
- (63) Related by continuation (CON) or continuation-in-part (CIP) to earlier application:
US PCT/IL03/00995 and (CIP)
Filed on 25 November 2003 (25.11.2003)
- (71) Applicant (for all designated States except US): **F.D. CARDIO LTD.** [IL/IL]; 2 RAOUL WALLENBERG STREET, 69719 TEL AVIV (IL).
- (72) Inventor; and
- (75) Inventor/Applicant (for US only): **CHERMONI, Israel** [IL/IL]; 20 SHOHAM STREET, 34679 HAIFA (IL).
- (74) Agents: **FENSTER, Paul** et al.; FENSTER & COMPANY, INTELLECTUAL PROPERTY LTD., P. O. BOX 10256, 49002 PETACH TIKVA (IL).

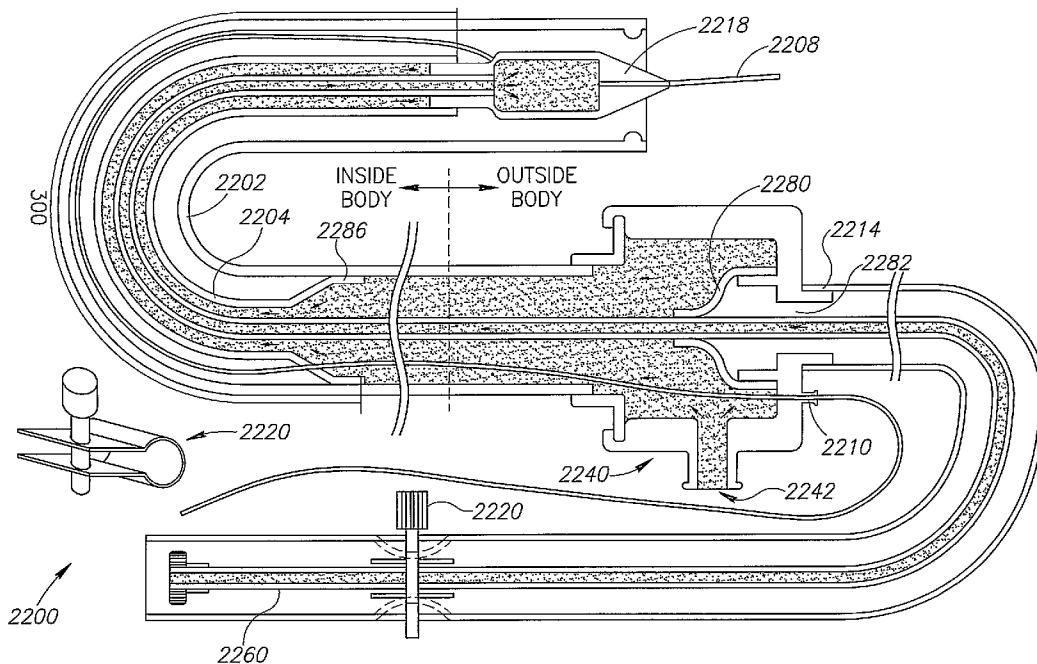
(81) Designated States (unless otherwise indicated, for every kind of national protection available): AE, AG, AL, AM, AT, AU, AZ, BA, BB, BG, BR, BW, BY, BZ, CA, CH, CN, CO, CR, CU, CZ, DE, DK, DM, DZ, EC, EE, EG, ES, FI, GB, GD, GE, GH, GM, HR, HU, ID, IL, IN, IS, JP, KE, KG, KM, KP, KR, KZ, LC, LK, LR, LS, LT, LU, LV, MA, MD, MG, MK, MN, MW, MX, MZ, NA, NG, NI, NO, NZ, OM, PG, PH, PL, PT, RO, RU, SC, SD, SE, SG, SK, SL, SM, SY, TJ, TM, TN, TR, TT, TZ, UA, UG, US (patent), UZ, VC, VN, YU, ZA, ZM, ZW.

(84) Designated States (unless otherwise indicated, for every kind of regional protection available): ARIPO (BW, GH, GM, KE, LS, MW, MZ, NA, SD, SL, SZ, TZ, UG, ZM, ZW), Eurasian (AM, AZ, BY, KG, KZ, MD, RU, TJ, TM), European (AT, BE, BG, CH, CY, CZ, DE, DK, EE, ES, FI, FR, GB, GR, HU, IE, IS, IT, LT, LU, MC, NL, PL, PT, RO, SE, SI, SK, TR), OAPI (BF, BJ, CF, CG, CI, CM, GA, GN, GQ, GW, ML, MR, NE, SN, TD, TG).

Published:
— with international search report
— before the expiration of the time limit for amending the claims and to be republished in the event of receipt of amendments

[Continued on next page]

(54) Title: CATHETER DRIVE



(57) Abstract: A catheter drive system, comprising: an inner tube adapted for inserting into a human body; an outer tube configured to slidably and snugly engage said inner tube, outside of a human body; and a pushing mechanism adapted to apply a pushing force to said inner tube less than 100 mm from an end thereof, such that said inner tube can extend at least 200 mm.

WO 2005/115524 A3



(88) Date of publication of the international search report:

1 March 2007

For two-letter codes and other abbreviations, refer to the "Guidance Notes on Codes and Abbreviations" appearing at the beginning of each regular issue of the PCT Gazette.

INTERNATIONAL SEARCH REPORT

International application No.

PCT/IL05/00535

A. CLASSIFICATION OF SUBJECT MATTER
 IPC: A61F 2/06(2007.01)

USPC: 623/1.11,1.12
 According to International Patent Classification (IPC) or to both national classification and IPC

B. FIELDS SEARCHED

Minimum documentation searched (classification system followed by classification symbols)
 U.S. : 623/1.11,1.12

Documentation searched other than minimum documentation to the extent that such documents are included in the fields searched

Electronic data base consulted during the international search (name of data base and, where practicable, search terms used)

C. DOCUMENTS CONSIDERED TO BE RELEVANT

Category *	Citation of document, with indication, where appropriate, of the relevant passages	Relevant to claim No.
X	US 5,989,263 A (SHMULEWITZ) 23 November 1999 (23.11.1999), figures 1-3.	1-8, 14-19, 21-26
Y	US 5,817,101 A (FIEDLER) 06 October 1998 (06.10.1998), figures 1-3.	9-13, 20

Further documents are listed in the continuation of Box C. See patent family annex.

* Special categories of cited documents:		
"A" document defining the general state of the art which is not considered to be of particular relevance	"T"	later document published after the international filing date or priority date and not in conflict with the application but cited to understand the principle or theory underlying the invention
"E" earlier application or patent published on or after the international filing date	"X"	document of particular relevance; the claimed invention cannot be considered novel or cannot be considered to involve an inventive step when the document is taken alone
"L" document which may throw doubts on priority claim(s) or which is cited to establish the publication date of another citation or other special reason (as specified)	"Y"	document of particular relevance; the claimed invention cannot be considered to involve an inventive step when the document is combined with one or more other such documents, such combination being obvious to a person skilled in the art
"O" document referring to an oral disclosure, use, exhibition or other means		
"P" document published prior to the international filing date but later than the priority date claimed	"&"	document member of the same patent family

Date of the actual completion of the international search 12 December 2006 (12.12.2006)	Date of mailing of the international search report 12 JAN 2007
--------------------------------------------------------------------------------------------	--------------------------------------------------------------------------

Name and mailing address of the ISA/US Mail Stop PCT, Attn: ISA/US Commissioner for Patents P.O. Box 1450 Alexandria, Virginia 22313-1450 Facsimile No. (571) 273-3201	Authorized officer Kevin T. Truong <i>Sharon T. Greene for</i> Telephone No. 571-272-3700
---------------------------------------------------------------------------------------------------------------------------------------------------------------------------------------	-------------------------------------------------------------------------------------------------