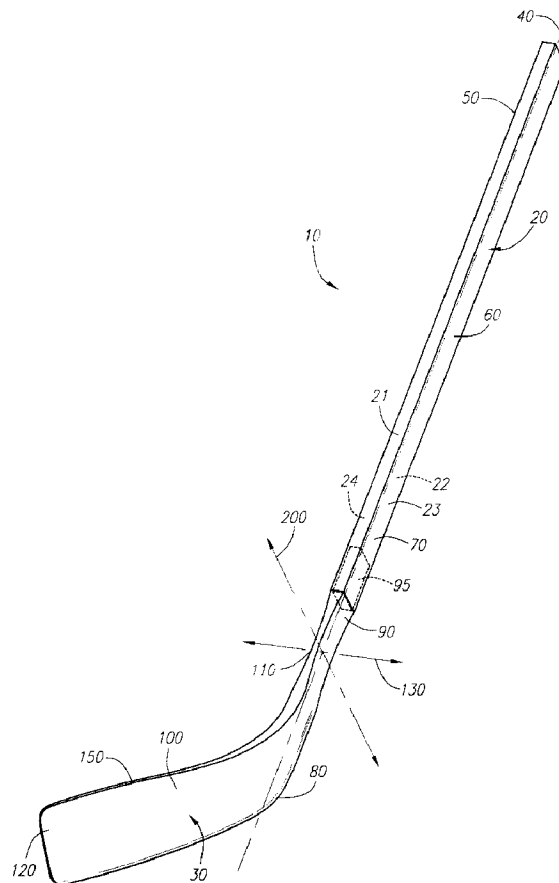




(22) Date de dépôt/Filing Date: 2001/01/03
(41) Mise à la disp. pub./Open to Public Insp.: 2001/07/07
(45) Date de délivrance/Issue Date: 2010/04/13
(30) Priorité/Priority: 2000/01/07 (US09/479,429)

(51) Cl.Int./Int.Cl. *A63B 59/14* (2006.01)
(72) Inventeurs/Inventors:
GOLDSMITH, EDWARD M., US;
EASTON, JAMES L., US
(73) Propriétaire/Owner:
EASTON SPORTS, INC., US
(74) Agent: GOWLING LAFLEUR HENDERSON LLP

(54) Titre : BATON DE HOCKEY
(54) Title: HOCKEY STICK



(57) **Abrégé/Abstract:**

A hockey stick comprising a blade and a shaft adapted to being joined together. The blade portion having an upper portion and a lower portion and a face. The upper portion being comprised of a defined region having a reduced width dimension in a direction

(57) **Abrégé(suite)/Abstract(continued):**

that extends generally perpendicular from the face of the blade when measured relative to regions in the upper portion of the blade that border either side of the defined region. The defined region may also be comprised of a reduced longitudinal bending stiffness in a direction that extends generally perpendicular from the face of the blade when measured relative to regions in the upper portion of the blade that border either side of the defined region.

ABSTRACT

A hockey stick comprising a blade and a shaft adapted to being joined together. The blade portion having an upper portion and a lower portion and a face. The upper portion being comprised of a defined region having a reduced width dimension in a direction that extends generally perpendicular from the face of the blade when measured relative to regions in the upper portion of the blade that border either side of the defined region. The defined region may also be comprised of a reduced longitudinal bending stiffness in a direction that extends generally perpendicular from the face of the blade when measured relative to regions in the upper portion of the blade that border either side of the defined region.

5

10

S P E C I F I C A T I O N

HOCKEY STICK

5 FIELD OF THE INVENTION

The field of the present invention relates to hockey sticks and the blades thereof.

BACKGROUND OF THE INVENTION

Generally, hockey sticks are comprised of a blade portion and a shaft or handle portion. Traditionally, these portions were permanently joined to one another. In more recent
10 times, the blade and shaft have been constructed in a manner that facilitates the user's replacement of the blade (i.e. the blades can be removably detached from the shaft and another blade can be attached and the removed blade can be attached to another shaft). The blades and shafts have been constructed, in whole or in part, using a wide variety of materials, including wood, aluminum, plastic and composite materials such as carbon, graphite, aramid,
15 polyethylene, polyester and glass fibers.

The blade portion is typically comprised of front and back faces, a hosel portion that extends longitudinally toward the shaft from the heel of the blade and a lower portion that extends generally perpendicular relative to the hosel portion away from the heel. In conventional construction, the hosel portion of the blade employs a continuously uniform or a
20 continuously gradually tapering cross-sectional geometry relative to and along its longitudinal axis moving from the upper portion of the hosel near the shaft toward the heel. Consequently, a uniform or gradually tapering longitudinal bending stiffness in the hosel results.

The longitudinal bending stiffness of a member or a section of a member is the stiffness along a given longitudinal axis of the member relative to a defined direction. For
25 example as illustrated in Fig. 9A, a member having a rectangular cross-sectional area has a longitudinal axis defined as Z' , a width defined as X , a height defined as Y and a length defined as L , where the width X is greater than the height Y . As illustrated in Fig. 9B, the

longitudinal bending stiffness of the member illustrated in Fig. 9A in the direction X' (which as illustrated is perpendicular to the longitudinal axis) may be measured by applying a force F to the member in the direction of X' (i.e. normal to the Z' - Y' plane) and measuring the bending of the member in that direction at a defined position. Alternatively, as illustrated in
5 Fig. 9C, the longitudinal bending stiffness in the Y' direction is measured by applying a force F to the member in the Y' direction (i.e. normal to the Z' - X' plane) and measuring the bending of the member in that direction at a defined position of the member.

The longitudinal bending stiffness in the X' and Y' directions may or may not be the same at a given section or region since the bending stiffness relates to the member's
10 construction which is a function of the member's design, dimensions, geometry, and the properties of the materials employed. Thus, the longitudinal bending stiffness of a given member at a given position may vary depending on the direction in which the longitudinal bending stiffness is measured, and the stiffness at different positions may vary depending on the construction of the member at that position. As illustrated in Figs. 9B and 9C the bending
15 stiffness in the X' direction is greater than the bending stiffness in the Y' direction for the given force F (i.e. the member bends less in the X' direction than in the Y' direction of a given section when the same force F is applied). The assumption upon which the diagrams in Figs. 9B and 9C are based is that all other relevant construction factors effecting the bending stiffness in the X' and Y' directions are equal except for the width X being greater than the
20 height Y . Accordingly, a greater longitudinal bending stiffness should result in the X' direction. It should be recognized, however, that the construction of the member can be modified in other respects so as to create a greater relative bending stiffness in the Y' direction despite the width X being greater than the height Y .

The "feel" of a hockey stick is a result of a myriad of factors including the type of
25 materials employed in construction, the structure of the components, the dimensions of the components, the rigidity or bending stiffness of the shaft and blade, the weight and balance of the shaft and blade, the rigidity and strength of the joint(s) connecting the shaft to the blade, the curvature of the blade, etc. Experienced players and the public are often inclined to use

hockey sticks that have a “feel” that is comfortable yet provides the desired performance. Moreover, the subjective nature inherent in this decision often results in one hockey player preferring a certain “feel” of a particular hockey stick while another hockey player preferring the “feel” of another hockey stick.

5 In order to modify the “feel” and/or performance of the hockey stick, the hosel portion of the blade can be uniquely modified in geometry and/or bending stiffness as described in more detail below.

SUMMARY OF THE INVENTION

10 The present invention relates to hockey sticks. A preferred embodiment relates to hockey stick blades comprising a face, an upper portion, and a lower portion. The upper portion having a longitudinal axis and being comprised of a defined region of reduced longitudinal bending stiffness in a direction that generally extends away from the face of the blade when measured relative to regions in the upper portion of the blade that border either
15 side of the defined region along the longitudinal axis.

 Another preferred embodiment relates to hockey sticks comprising a blade and a shaft. The blade is comprised of a face, an upper portion, a heel, and a lower portion. The upper portion having a longitudinal axis generally extending from the heel toward the shaft. The upper portion being comprised of a defined region of reduced longitudinal bending stiffness in
20 a direction that generally extends away from the face of the blade when measured relative to regions in the upper portion of the blade that border either side of the defined region along the longitudinal axis. The blade and shaft are adapted to being joined to one another.

 Another preferred embodiment relates to hockey stick blades comprising a face, an upper portion, and a lower portion. The upper portion having a longitudinal axis and being
25 comprised of a defined region having a reduced width dimension in a direction that generally extends away from the face of the blade when measured relative to regions in the upper portion of the blade that border either side of the defined region along the longitudinal axis.

In yet another preferred embodiment relates to hockey sticks comprising a blade and a shaft. The blade is comprised of a face, an upper portion, a heel, and a lower portion. The upper portion having a longitudinal axis generally extending from the heel toward the shaft. The upper portion being comprised of a defined region having a reduced width dimension in a direction that generally extends away from the face of the blade when measured relative to regions in the upper portion of the blade that border either side of the defined region along the longitudinal axis. The blade and shaft are adapted to being joined to one another.

BRIEF DESCRIPTION OF THE DRAWINGS

The accompanying drawings illustrate presently preferred embodiments of the invention and, together with the description, serve to explain various principles of the invention.

Fig. 1 is a diagram illustrating a hockey stick in accordance with a preferred embodiment.

Fig. 2 is a right side view of the hockey stick blade in accordance with the embodiment set forth in Fig. 1.

Fig. 3 is a top view of the hockey stick blade in accordance with the embodiment set forth in Fig. 1.

Fig. 4 is a bottom view of the hockey stick blade in accordance with the embodiment set forth in Fig. 1.

Fig. 5 is a rear view of the hockey stick blade in accordance with the embodiment set forth in Fig. 1.

Fig. 6 is a front view of the hockey stick blade in accordance with the embodiment set forth in Fig. 1.

Fig. 7 is a detailed rear view of the focused flex region of the hockey stick blade in accordance with the embodiment set forth in Fig. 1.

Fig. 8A is a detailed diagram illustrating a cross-sectional view of the hockey stick blade in accordance with the embodiment set forth in Fig. 1 taken along line A---A of Fig. 7.

Fig. 8B is a detailed diagram illustrating a cross-sectional view of the hockey stick blade in accordance with the embodiment set forth in Fig. 1 taken along line B---B of Fig. 7.

Fig. 8C is a detailed diagram illustrating a cross-sectional view of the hockey stick blade in accordance with the embodiment set forth in Fig. 1 taken along line C---C of Fig. 7.

5 **Fig. 9A** is a diagram illustrating a member having a longitudinal axis and comprising a rectangular cross-sectional area having width X, height Y and length L.

Fig. 9B is a diagram illustrating the member of Fig. 9A with a force applied to the member in the X' direction.

10 **Fig. 9C** is a diagram illustrating the member of Fig. 9A with a force applied to the member in the Y' direction.

DESCRIPTION OF THE PREFERRED EMBODIMENTS

Reference will now be made to the construction and operations of preferred embodiments of the present invention, examples of which are illustrated in the accompanying drawings. The following descriptions of the preferred embodiments of the present invention are only exemplary of the invention. The present invention is not limited to these
15 embodiments, but may be realized by other embodiments.

Fig. 1 is a diagram illustrating a hockey stick **10** in accordance with a preferred embodiment as disclosed herein. Figs. 2-7 are diagrams illustrating from different
20 perspectives and views the blade portion of the hockey stick illustrated in Fig. 1. As shown in Figs. 1-7, a hockey stick **10** is comprised of a handle or shaft **20** and a blade **30**. The shaft **20** is preferably comprised of a hollow tubular member having a top section **50**, a middle section **60** and a bottom section **70**. The cross-sectional area of the shaft **20** is generally rectangular throughout the longitudinal length of the shaft **20** and generally employs two sets of opposed
25 walls **21**, **22**, **23** and **24**. The blade **30** is comprised of a heel **80**, an upper portion **90**, a lower portion **100** and front and back faces **120** and **140** respectively. The heel **80** is generally defined as the angular junction between the lower portion **100** and upper portion **90**. The upper portion **90** in the preferred embodiment is comprised of two sets of opposed walls **31**, **32**, **33**, and **34** and a mating section **95**. The mating section **95** in a preferred embodiment is

comprised of a rectangular cross section (also having two sets of opposed walls **31a**, **32a**, **33a**, and **34a**) that is adapted to mate with the bottom section **70** of the shaft **20** in a four-plane lap joint along the inside of walls **21**, **22**, **23**, and **24**. The outside diameter of the rectangular cross-sectional area of the mating section **95** is preferably dimensioned to make a sliding fit
5 inside the hollow center of the bottom section **70** of the shaft **20**. Preferably, the blade **30** and shaft **20** are bonded together at the four-plane lap joint using an adhesive capable of removably cementing the blades to shafts. Such adhesives are commonly known and employed in the industry and include Z-WaxxTM and hot melt glues. Other mating configurations and methods known in the art may be used as well with the present invention.
10 Alternatively, the blade **30** and shaft **20** may be permanently mounted to one another using construction and assembly structures and techniques known to those of ordinary skill in the art.

In the preferred embodiment, the hockey stick **10** has a longitudinally extending axis **40** that extends from the top section **50** of the shaft **20** through the bottom section **70** of the shaft **20** and through the upper portion **90** of the blade **30** generally toward the heel **80**. The
15 upper member **90** further comprises a focused flex region **110**, which is preferably comprised of a region of reduced longitudinal bending stiffness in a defined region of the upper portion **90** of the blade **30**. The stick has a reduction in longitudinal bending stiffness – or a focused flex region **110** – that gives it a higher flexibility about the axis line **200**. The present
20 invention is not directed to providing increased flexibility *about* the axis line **130**, but rather in the *direction* of axis line **130**. Put another way, stick of the present invention has a reduction in longitudinal bending stiffness – or a focused flex region **110** – that modifies the ability of the stick to flex in the general direction that extends away from the face **120** of the blade **30** (i.e in a direction generally normal to the plane defined by longitudinal axis **40** and
25 transverse axis **200**). The reduction of the bending stiffness is measured relative to the sections of the upper portion **90** of the blade **30** that immediately border either side of the focused flex region **110** moving along the longitudinal axis **40** – that is, the sections above and below the focused flex region **110**. Hence, the section of the upper portion **90** located above the focused flex region **110** as well as the section of the upper portion **90** of the blade

30 located below the focused flex region **110** have a longitudinal bending stiffness measured in a direction of axis line **130** that is greater than that in the focused flex region **110**.

As best illustrated in Figs. 1 and 3-7, the reduced bending stiffness in the focused flex region **110** may be achieved by modifying the geometry of the upper portion **90** of the blade **30**. As shown in a preferred embodiment illustrated in Figs. 1-8, the widths of the two opposed walls **31** and **32** of the upper portion **90** are reduced generally in the direction of the axis line **130** so as to create a tapered, or hourglass, shape when viewed from a rear perspective as in Fig. 7. The reduction in the bending stiffness in the focused flex region **110** may be controlled using other construction techniques or modifications, in addition to or in combination with modifications to the geometry of the upper portion **90**. For example, internal or external structural configurations on the upper portion **90** may be employed to achieve the relative reduction in the bending stiffness in the focused flex region **110**. In addition, the materials employed to construct the upper portion **90** in the focused flex region **110** may be varied either in quality (i.e. longitudinal bending stiffness properties) or quantity so as to result in a reduction of bending stiffness without necessarily changing the general structure, outer dimensions, or geometry of the upper portion **90** in the focused flex region **110**.

One advantage, however, that is associated with changing the outward geometry of the upper member **90** in the focused flex region **110** is that the focused flex region **110** would be more readily detectable to the consumer and therefore may be advantageous from a marketing perspective. In this regard, a modification in the outer dimensions or geometry of the upper portion **90** without change to the bending stiffness is also contemplated by the present invention. Furthermore, it should be understood that while the focused flex region **110** is depicted in Figs. 1-7 as being positioned below the rectangular cross sectional area of the mating section **95** it is contemplated that it may be placed within this area as well.

One advantage offered by the present invention is that it allows the stick designer to create a specific point, or area, where the stick will flex the most. This focused flex region **110** can be used to create a stick with a lower flex point than other sticks known in the art.

This can be used to create a stick with different feel and an increased ability to generate lift on the puck – that is, to shoot the puck into the air.

The blade **30** may be constructed of a variety of materials including wood, plastic, and composite materials such as fiberglass, carbon fiber, KevlarTM, graphite fiber, foam and other materials known to those of ordinary skill in the art. As illustrated in Figs. 8A-8C, when the blade **30** is formed of composite materials, the blade **30** may be manufactured by using a plurality of inner core pieces **160** composed preferably of compressed foam, such as polyurethane, however, other materials may also be employed such as wood, other foams and fiberglass. The inner core pieces **160** generally are dimensioned generally to have the external shape of the blade **30** when aligned with one another so as to be capable of fitting in a desired mold. Each inner core piece **160** is individually inserted into a first sleeve **170** preferably composed of a woven synthetic reinforcement material such as carbon fiber, fiberglass, KevlarTM or graphite fiber materials. The inner core pieces **160**, having been individually inserted into the woven fiber sleeves **170**, are preferably also together enclosed into an additional woven fiber sleeve **180** preferably constructed of the same material as the first sleeve **170**. An additional layer of woven fiber reinforcement material **190** may also be layered between the two sets of sleeves on the top section of the blade **30** to form part of walls **31** and **31a** of the upper portion **90** and the top edge **150** of the blade **30**. The section may be sized to form a portion of the front **120** and rear faces **140** of the blade **30**. The blade assembly is then inserted into a mold having the desired shape of the blade **30**. A suitable matrix material or resin is then injected into mold to impregnate the woven fiber materials **170**, **180**, **190** and the blade **30** is cured. In the illustrated preferred embodiment, the molding process together with the dimensions of the inner core pieces **160** define the unique shape of the focused flex region **110** on the upper portion **90** of the blade **30**.

While there has been illustrated and described what are presently considered to be preferred embodiments and features of the present invention, it will be understood by those skilled in the art that various changes and modifications may be made, and equivalents may be substituted for elements thereof, without departing from the scope of the invention.

In addition, many modifications may be made to adapt a particular element, feature or implementation to the teachings of the present invention without departing from the central scope of the invention. Therefore, it is intended that this invention not be limited to the particular embodiments disclosed herein, but that the invention include all embodiments
5 falling within the scope of the appended claims.

CLAIMS

1. A hockey stick blade comprising:
 - a lower portion, extending from a toe section to a heel section to form a front face and a back face of the blade; and
 - an upper portion having a longitudinal axis and comprising a mating section adapted to mate with a hockey shaft and a defined region of reduced longitudinal bending stiffness in a direction generally perpendicular to the front face and the back face of the blade when measured relative to bordering regions in the upper portion residing above and below the defined region along the longitudinal axis, wherein the upper portion is configured to be mounted to the hockey shaft.
2. The hockey stick blade of claim 1 wherein the hockey stick blade is detachably attached to the shaft.
3. The hockey stick blade of claim 1 or 2 wherein the defined region resides outside the mating section.
4. A hockey blade configured to be mounted to a hockey shaft comprising:
 - a lower portion, extending from a toe section to a heel section to form a front face and a back face of the blade; and
 - an upper portion having a longitudinal axis extending from the heel section toward a mating section adapted to be mounted to a shaft; the upper portion comprising:
 - a front side having a first outer most exterior surface generally facing in the same direction as the front face of the blade;
 - a back side having a second outer most exterior surface generally facing in the same direction as the back face of the blade; and
 - an outer most exterior concave surface having a continuous curved transition into at least one of the first or second outer most exterior surfaces,
 - wherein the outer most exterior concave surface forms a region of reduced width dimension, as measured between the first and second outer most exterior surfaces, relative to bordering regions residing above and below the concave surface along the longitudinal axis.

5. The hockey blade of claim 4 wherein the hockey blade is detachably attached to the shaft.
6. The hockey blade of claim 4 or 5 wherein the outer most exterior concave surface resides outside the mating section.
7. A two piece hockey stick comprising:
 - (a) a shaft; and
 - (b) a blade configured to be detachably mated to the shaft, said blade comprising:
 - (i) a lower portion extending from a toe section to a heel section to form a front face and a back face of the blade; and
 - (ii) an upper portion, having a longitudinal axis generally extending from the heel section toward a mating section adapted to be mounted to the shaft, comprising:
 - a front side having a first outer most exterior surface generally facing in the same direction as the front face of the blade;
 - a back side having a second outer most exterior surface generally facing in the same direction as the back face of the blade; and
 - a focused flex region having a continuous curved transition into at least one of the first or second outer most exterior surfaces,
 - wherein the focused flex region has a reduced width dimension, as measured between the first and second outer most exterior surfaces, relative to bordering regions residing above and below the focused flex region along the longitudinal axis.
8. The two piece hockey stick of claim 7 wherein the blade is detachably attached to the shaft.
9. The two piece hockey stick of claim 7 or 8 wherein the focused flex region resides outside the mating section.
10. A hockey stick comprising:
 - a shaft; and
 - a blade adapted to being joined to the shaft comprising:
 - a lower portion extending from a toe section to a heel section to form a front face and a back face of the blade; and

the upper portion having a longitudinal axis generally extending from the heel toward a mating section adapted to be mounted to the shaft, the upper portion being comprised of a defined region of reduced longitudinal bending stiffness in a direction generally perpendicular to the front face and the back face of the blade when measured relative to bordering regions in the upper portion of the blade residing above and below the defined region along the longitudinal axis.

11. The hockey stick of claim 10 wherein the blade is detachably attached to the shaft.
12. The hockey stick of claim 10 or 11 wherein the defined region resides outside the mating section.

01/05

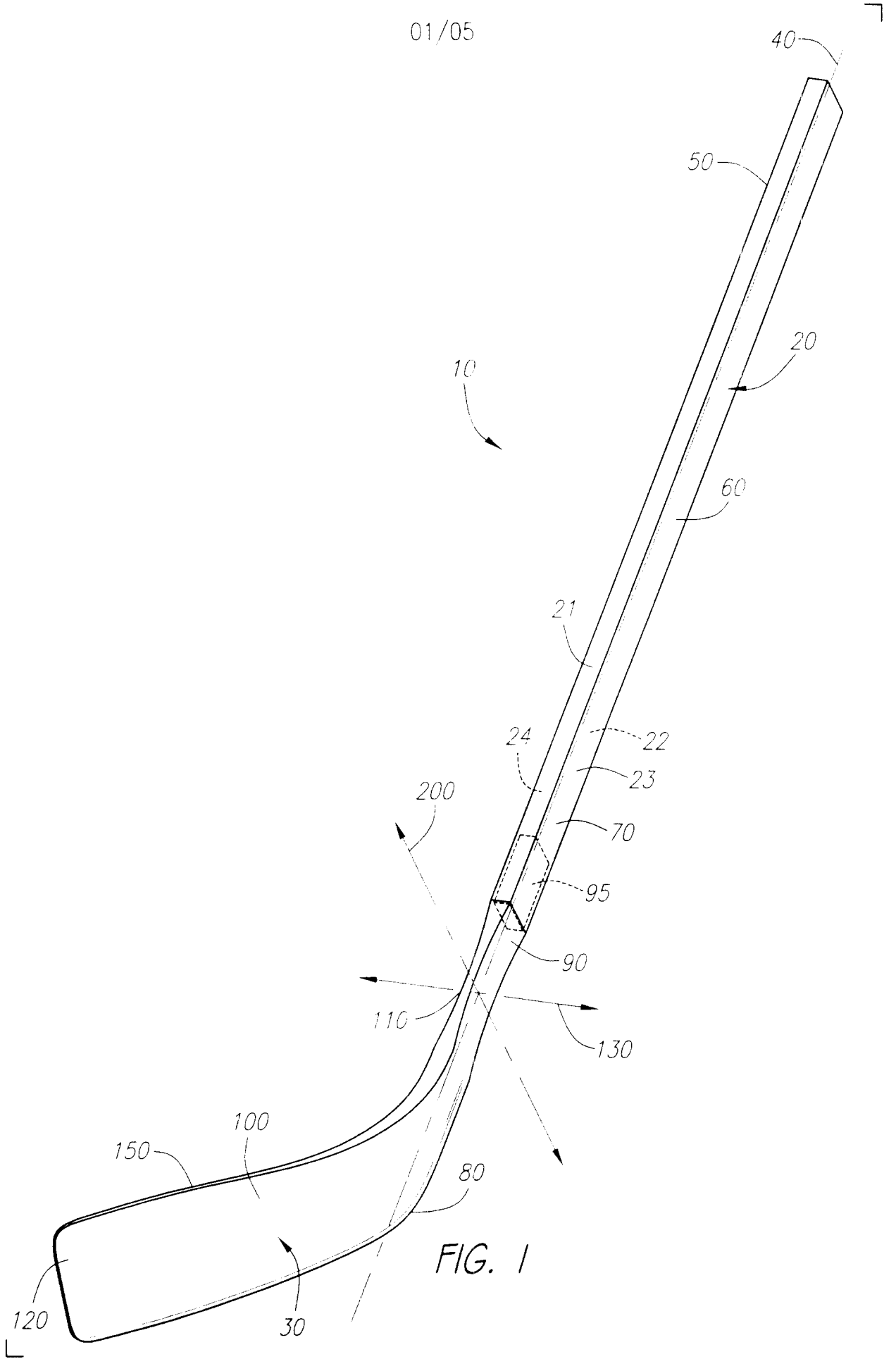
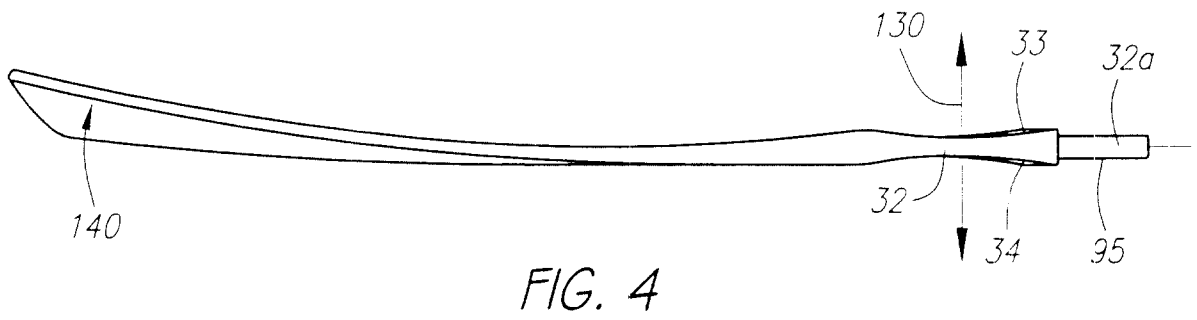
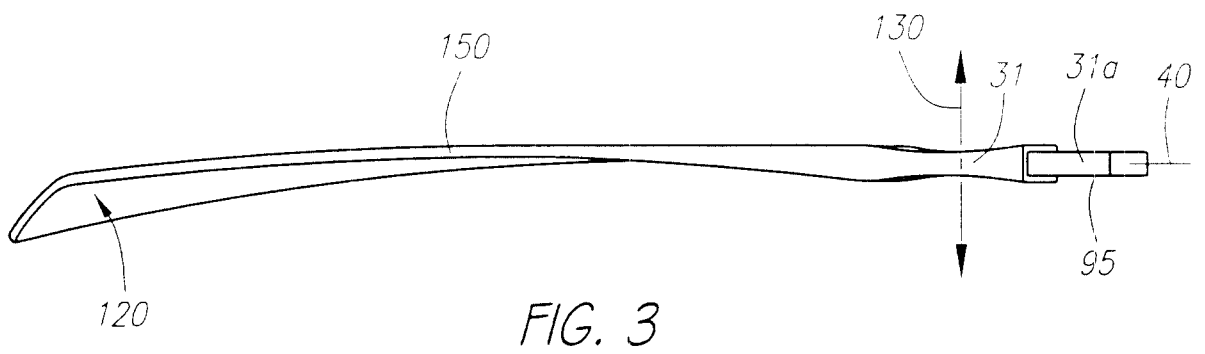
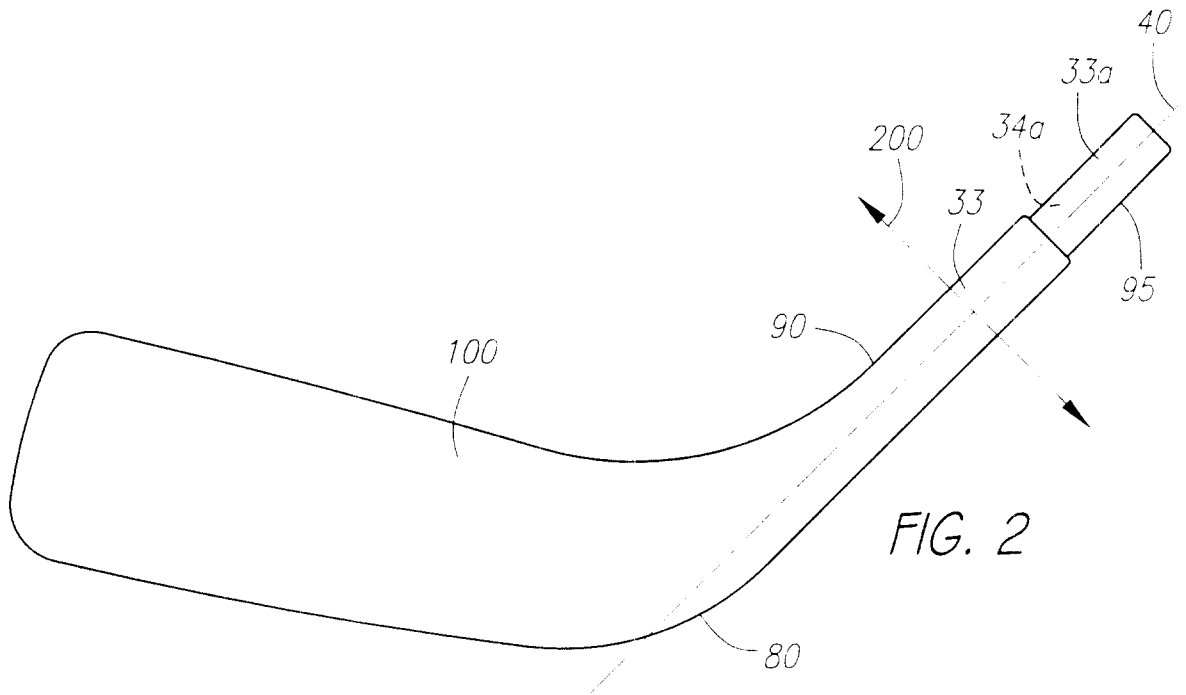


FIG. 1

02/05



L

03/05

7

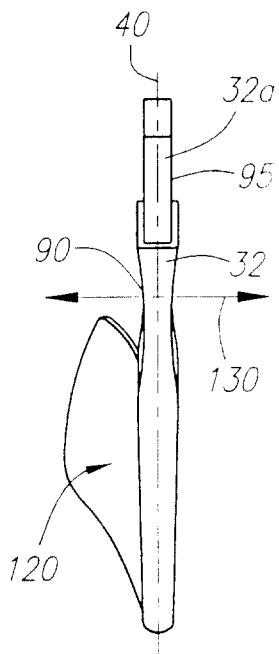


FIG. 5

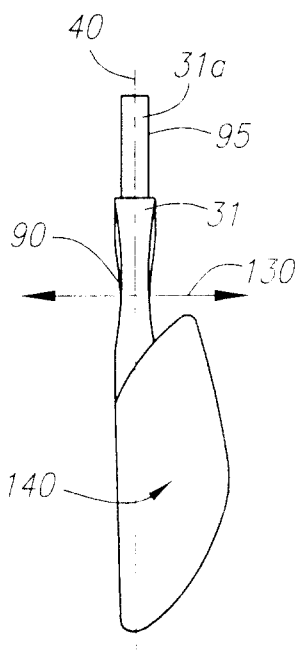


FIG. 6

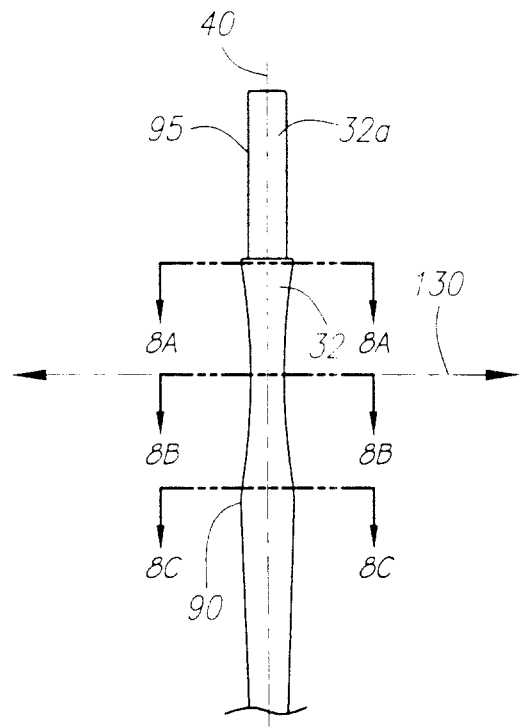


FIG. 7

L

04/05

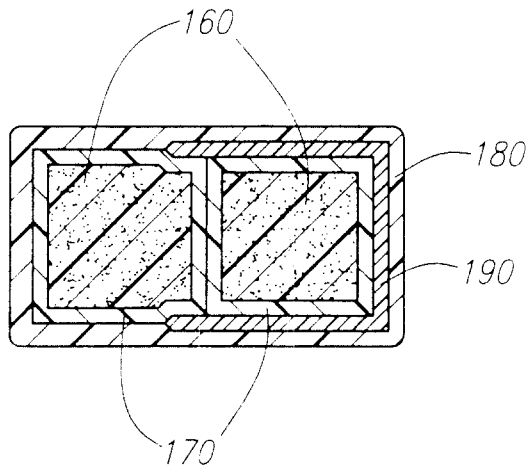


FIG. 8A

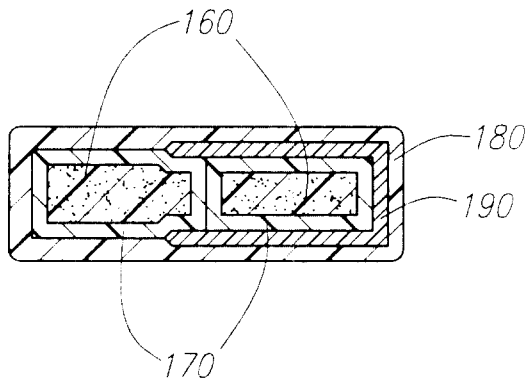


FIG. 8B

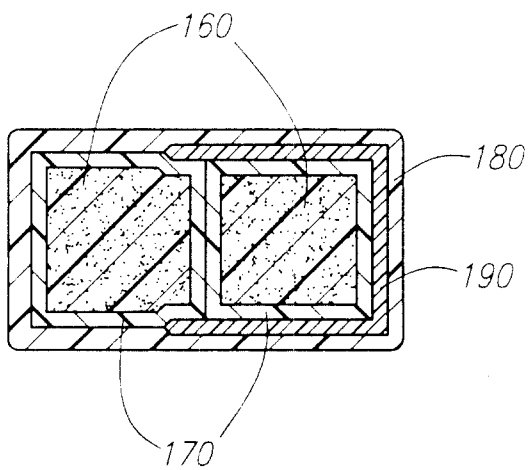


FIG. 8C

L

05/05

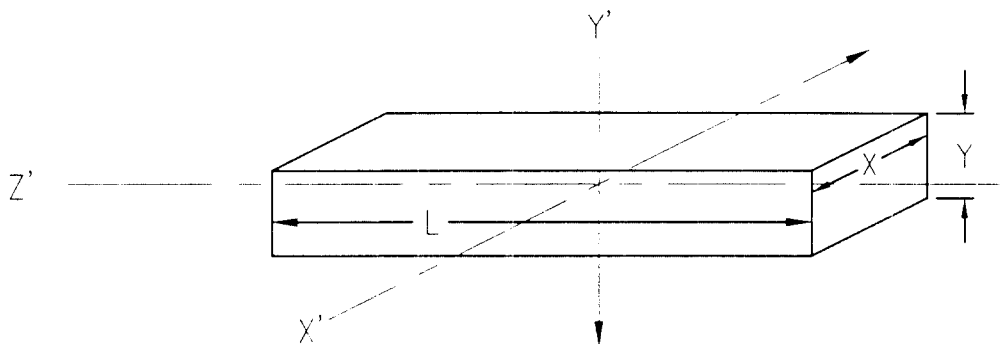


FIG. 9A

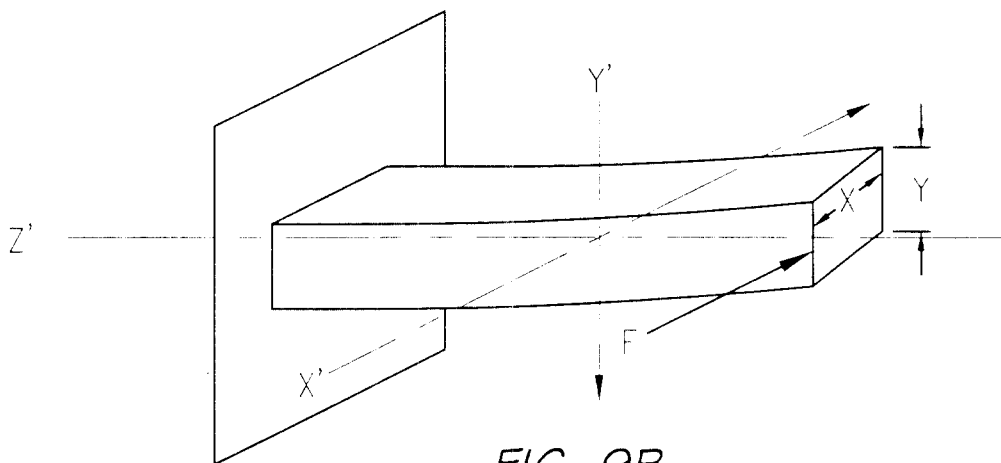


FIG. 9B

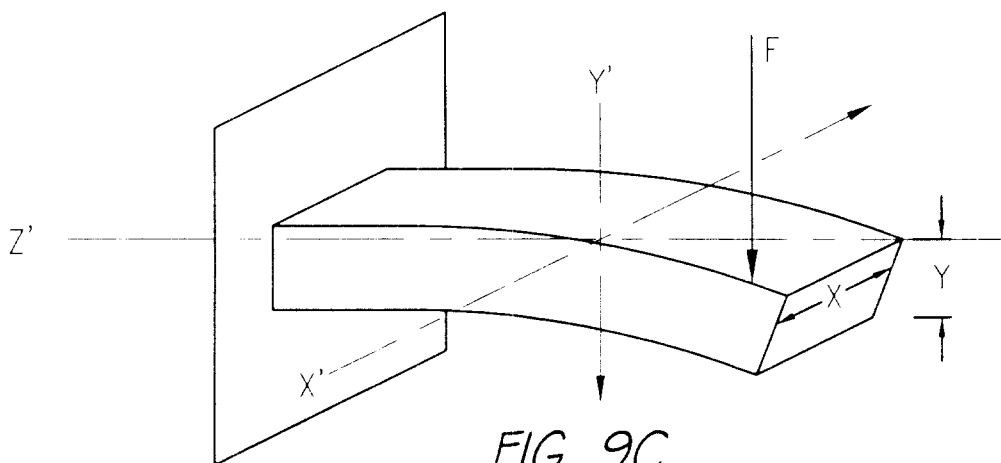


FIG. 9C

L

