

[54] **FOOT BATH**

[76] **Inventor:** Arthur E. Chambers, 21421 N.
Seventh Avenue, Phoenix, Ariz.
85027

[**] **Term:** 14 Years

[21] **Appl. No.:** 49,416

[22] **Filed:** May 14, 1987

[52] **U.S. Cl.** D24/38

[58] **Field of Search** D24/38; 128/66, 65,
128/51, 52 R, 24.1, 24 R, 370, 25 B; 4/574, 622;
604/290, 293

[56] **References Cited**

U.S. PATENT DOCUMENTS

D. 197,948 4/1964 Barker D24/38

D. 247,511 3/1978 Lee et al. D24/38
4,047,522 9/1977 Plugge 128/66
4,184,488 1/1980 Bielich 128/66
4,497,313 2/1985 Kurosawa 128/66 X
4,620,529 11/1986 Kurosawa 128/66

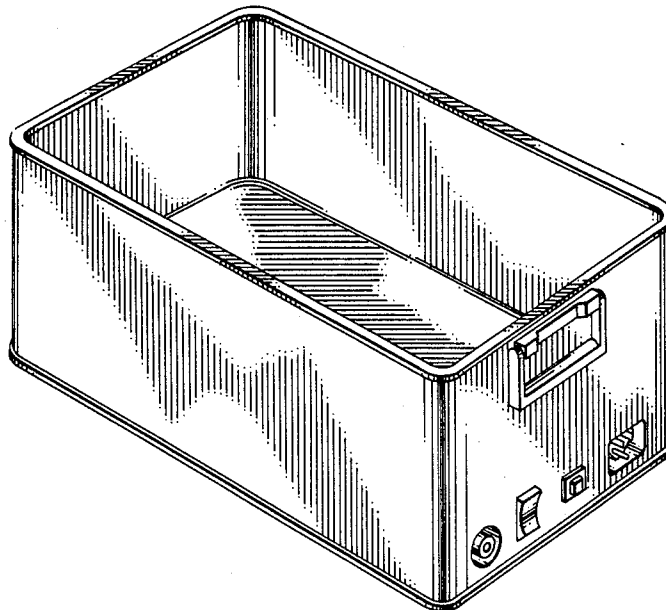
Primary Examiner—Wallace R. Burke
Assistant Examiner—Stella M. Reid
Attorney, Agent, or Firm—Warren F. B. Lindsley

[57] **CLAIM**

The ornamental design for a foot bath, as shown and described.

DESCRIPTION

FIG. 1 is a top, front and right perspective view of a foot bath, showing my new design; FIG. 2 is a right side elevational view thereof; FIG. 3 is a left end elevational view thereof; and FIG. 4 is a top plan view thereof.



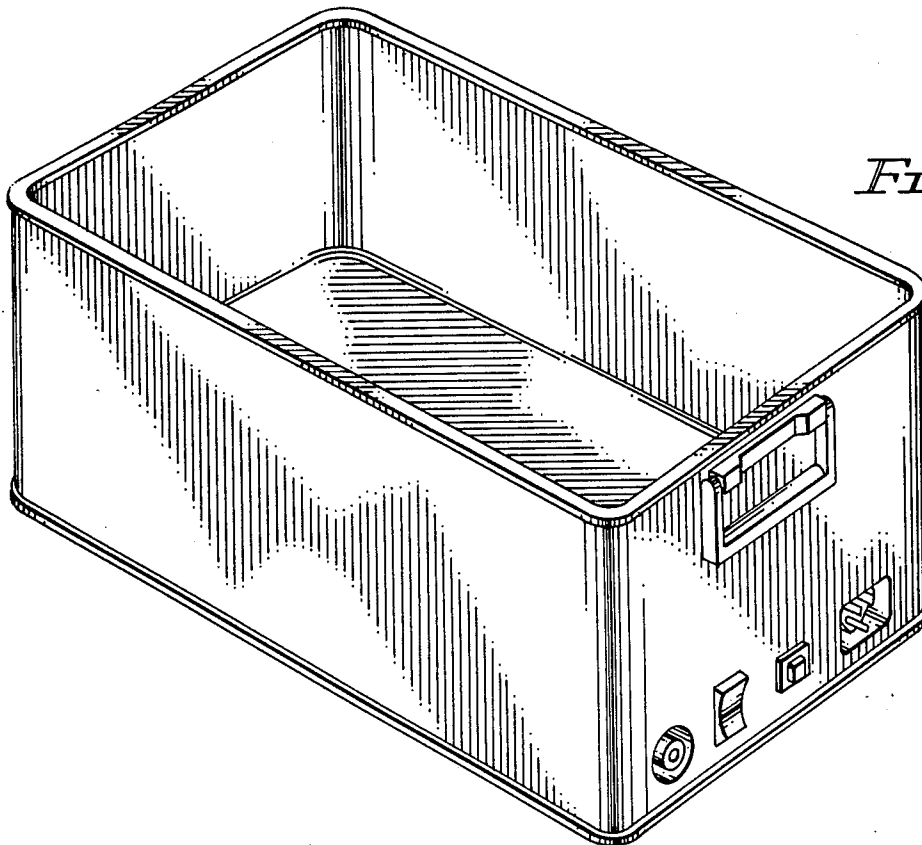


FIG. 1

FIG. 2

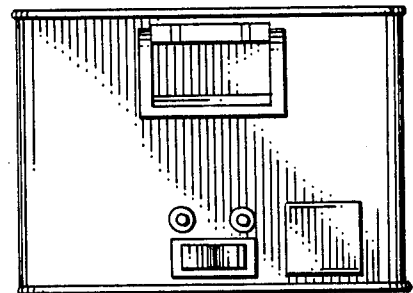
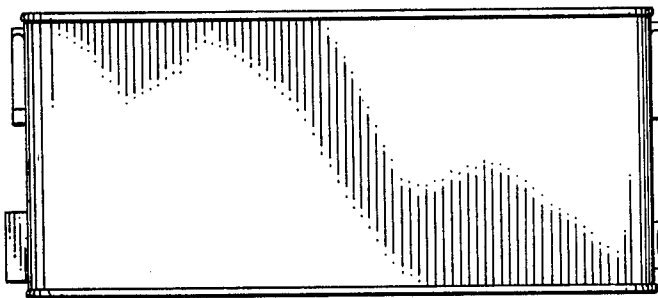


FIG. 3

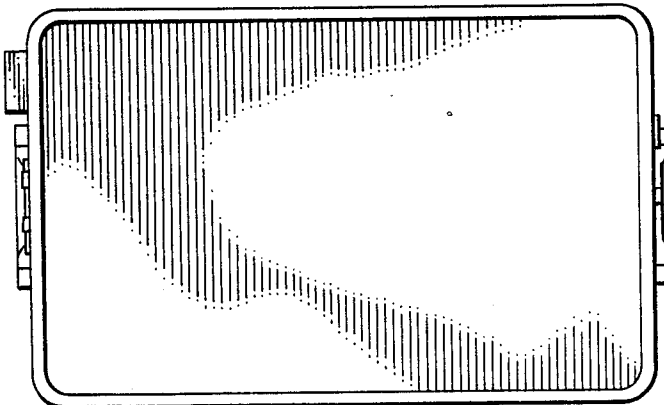


FIG. 4