



US0D1004191S

(12) **United States Design Patent**
Chen et al.

(10) **Patent No.:** **US D1,004,191 S**

(45) **Date of Patent:** **** Nov. 7, 2023**

(54) **HAIR DRYER**

FOREIGN PATENT DOCUMENTS

(71) Applicant: **Rongfeng Jiang**, Guangdong (CN)

CN 307612926 * 10/2022
CN 307715667 * 12/2022

(72) Inventors: **Yiyang Chen**, Hunan (CN); **Rongfeng Jiang**, Guangdong (CN)

(Continued)

(73) Assignee: **Rongfeng Jiang**, Guangdong (CN)

(**) Term: **15 Years**

(21) Appl. No.: **29/898,015**

(22) Filed: **Jul. 21, 2023**

(51) **LOC (14) Cl.** **28-03**

(52) **U.S. Cl.**
USPC **D28/13**

(58) **Field of Classification Search**
USPC D28/9, 12, 13, 14, 15, 16, 17, 39, 41,
D28/54.1

CPC Y10S 2/11; A61H 2205/02; A45D 4/04;
A45D 4/06; A45D 8/00; A45D 8/02;
A45D 8/002; A45D 8/004; A45D 8/006;
A45D 8/008; A45D 8/06; A45D 8/14;
A45D 8/16; A45D 8/18; A45D 8/32;
A45D 8/34; A45D 8/36; A45D 8/40;
A45D 20/00; A45D 20/04; A45D 20/06;
A45D 20/08; A45D 20/10; A45D 20/14

See application file for complete search history.

(56) **References Cited**

U.S. PATENT DOCUMENTS

D299,874 S *	2/1989	Yamagami	D28/16
D791,407 S *	7/2017	Smith	D28/13
D893,097 S *	8/2020	Huang	D28/13
D899,684 S *	10/2020	Chen	D28/13
D911,603 S *	2/2021	Wang	D28/13
D911,604 S *	2/2021	Chen	D28/13
D925,825 S	7/2021	Lo	
D926,370 S *	7/2021	Sun	D28/13

(Continued)

OTHER PUBLICATIONS

Hair Dryer, announced Nov. 13, 2021 [online], retrieved Sep. 6, 2023, retrieved from internet, <https://www.walmart.com/ip/Hair-Dryer-NEXPURE-1800W-Professional-Ionic-Hairdryer-Care-Powerful-Hot-Cool-Wind-Blow-3-Magnetic-Attachments-ETL-UL-ALCI-Safety-Plug-Dark-Grey/1944146869> (Year: 2021).*

(Continued)

Primary Examiner — Messina L Smith

(74) *Attorney, Agent, or Firm* — Kunzler Bean & Adamson, PC; Michael Bartholomew

(57) **CLAIM**

The ornamental design for a hair dryer, as shown and described.

DESCRIPTION

FIG. 1 is a front, right and top perspective view of a hair dryer, showing our design.

FIG. 2 is a rear, left and bottom perspective view thereof.

FIG. 3 is a front elevation view thereof.

FIG. 4 is a rear elevation view thereof.

FIG. 5 is a left side elevation view thereof.

FIG. 6 is a right side elevation view thereof.

FIG. 7 is a top plan view thereof.

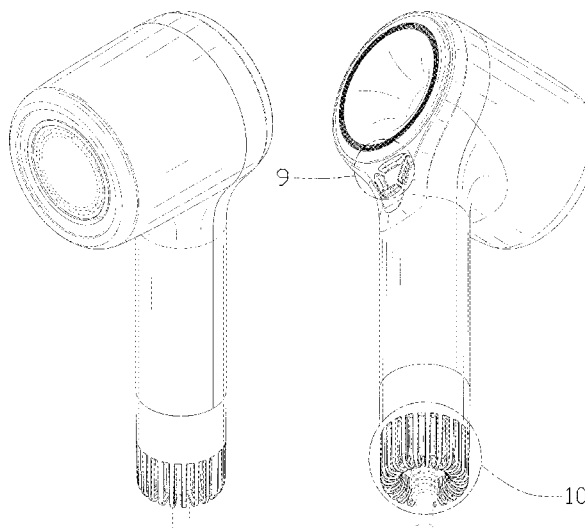
FIG. 8 is a bottom plan view thereof.

FIG. 9 is an enlarged view of a portion of the hair dryer shown within the area labeled as 9 in FIG. 2; and,

FIG. 10 is an enlarged view of a portion of the hair dryer shown within the area labeled as 10 in FIG. 2.

The broken lines depict portions of the hair dryer that form no part of the claimed design. The dot-dash broken lines in FIGS. 2, 9 and 10 depict the boundaries of the enlargements that form no part of the claimed design.

1 Claim, 10 Drawing Sheets



(56)

References Cited

U.S. PATENT DOCUMENTS

D943,201 S * 2/2022 Liu D28/13
 11,253,039 B1 * 2/2022 Lei A45D 20/12
 D950,848 S * 5/2022 Chen D28/13
 D952,248 S * 5/2022 Lei D28/13
 D952,940 S * 5/2022 Mo D28/13
 D963,937 S * 9/2022 Li D28/13
 D965,864 S * 10/2022 Zhu D28/13
 D965,869 S * 10/2022 Huang D28/13
 D973,272 S * 12/2022 Chen D28/13
 D982,232 S * 3/2023 Li D28/13
 D984,740 S * 4/2023 Huang D28/13
 D985,196 S * 5/2023 Li D28/13
 D985,837 S * 5/2023 Lei D28/13
 D990,769 S * 6/2023 Wang D28/13
 D991,554 S * 7/2023 Li D28/13
 D992,813 S * 7/2023 Huang D28/13
 D994,219 S * 8/2023 Li D28/13
 D994,220 S * 8/2023 Li D28/13
 D994,221 S * 8/2023 Yang D28/13
 2016/0338466 A1 * 11/2016 Atkinson A45D 20/10
 2021/0282522 A1 * 9/2021 Liu A45D 20/12
 2021/0321738 A1 * 10/2021 Ni A45D 20/122
 2022/0312925 A1 * 10/2022 Chen A45D 20/12

FOREIGN PATENT DOCUMENTS

CN 307759999 * 12/2022
 CN 307786700 * 1/2023
 CN 307833343 * 2/2023
 KR 301217399.0000 * 5/2023

OTHER PUBLICATIONS

Ionic Hair Dryer, announced Apr. 5, 2020 [online], retrieved Sep. 6, 2023, retrieved from internet, <https://www.amazon.com/Portable-Lightweight-Hairdryer-Blowdryer-Concentrator/dp/B089SLN2DC> (Year: 2020).*

This Sleek Hair Dryer That Produces ‘Smooth and Soft’ Results, announced Aug. 10, 2023 [online], retrieved Sep. 6, 2023, retrieved from internet, <https://people.com/wavytalk-hair-dryer-deal-amazon-7629491> (Year: 2023).*

Loveps Hair Dryer with Diffuser, announced Jul. 6, 2022 [online], retrieved Sep. 6, 2023, retrieved from internet, <https://www.amazon.com/Diffuser-Foldable-Constant-Temperature-Damaging/dp/B0B5TQC7H6?tag=y1e01-p-o-6cj-20&ascsubtag=7a0270a248d811eeb0ba37533844b3c0&th=1> (Year: 2022).*

Holographic Professional Dryer, announced Mar. 5, 2023 [online], retrieved Sep. 6, 2023, retrieved from internet, <https://soliabeauty.com/products/holographic-professional-dryer-white> (Year: 2023).*

* cited by examiner

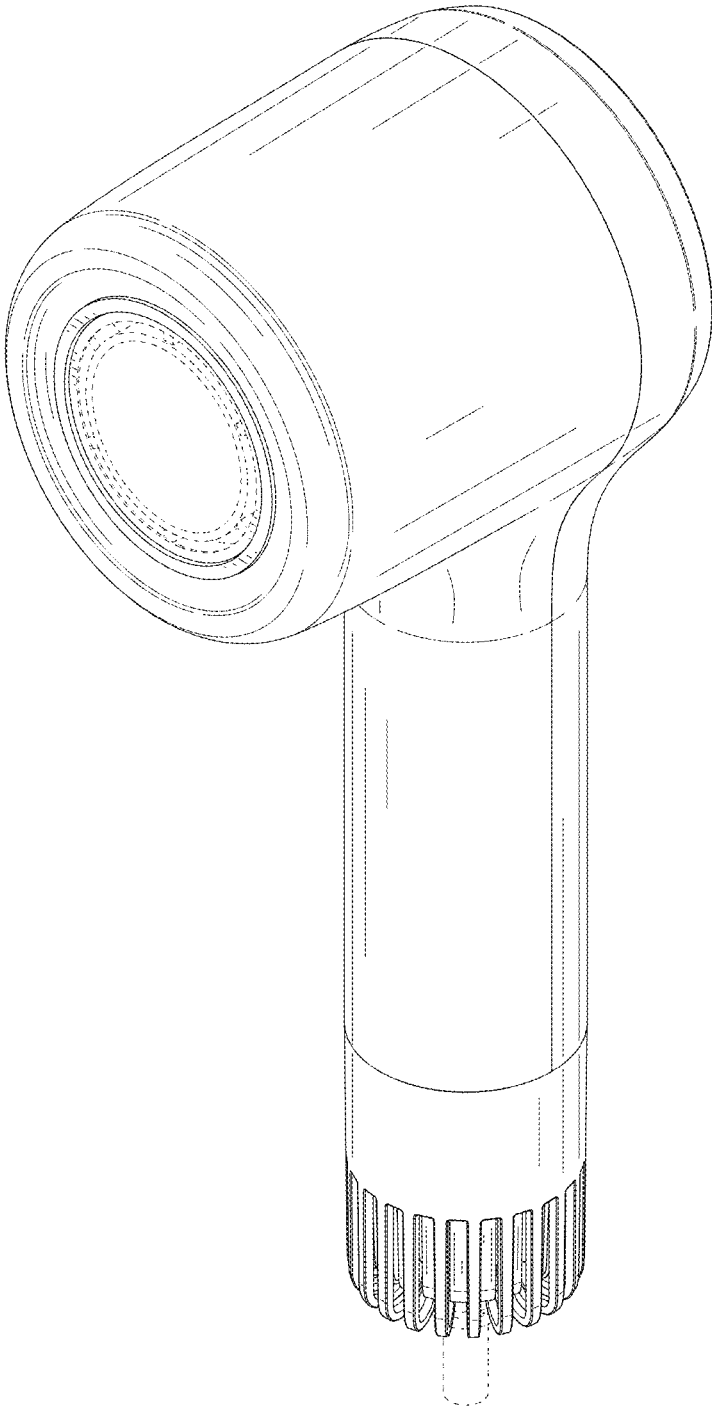


FIG. 1

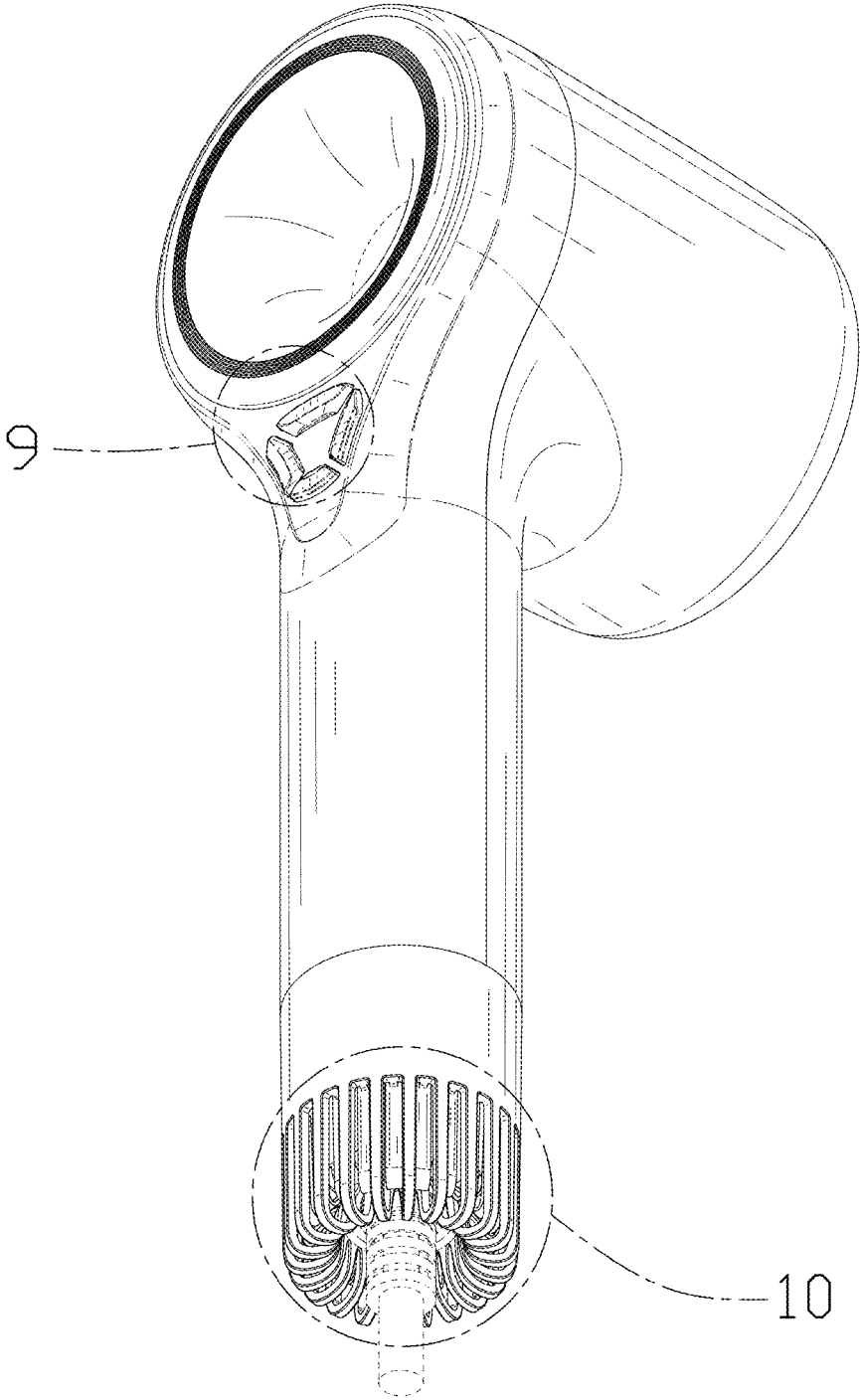


FIG. 2

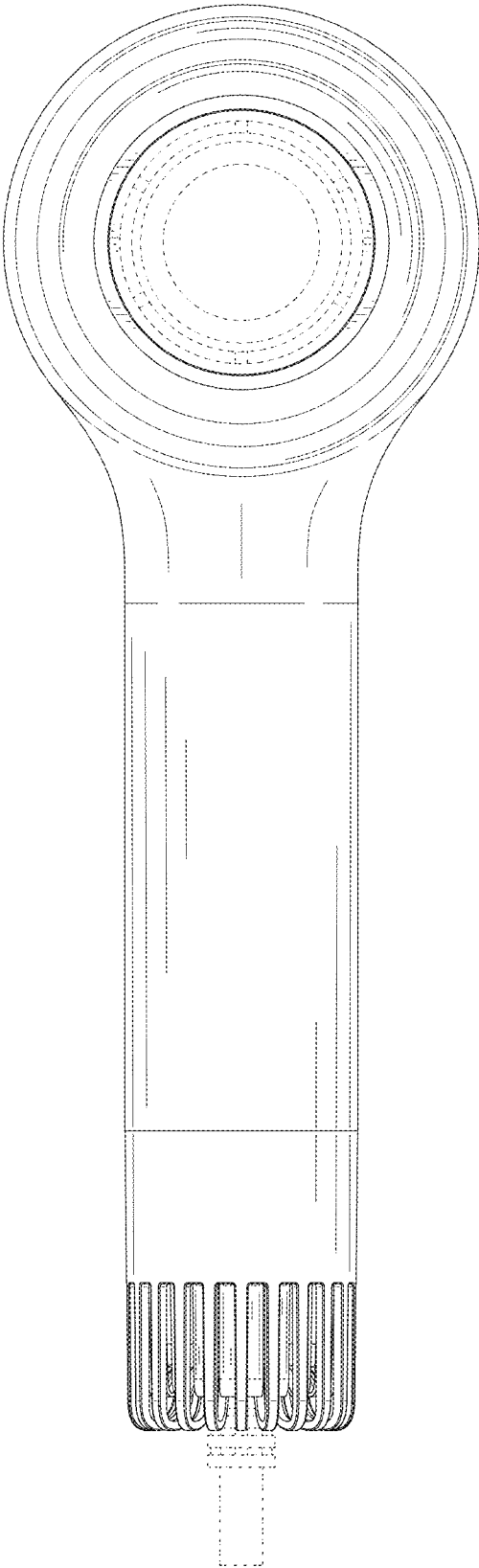


FIG. 3

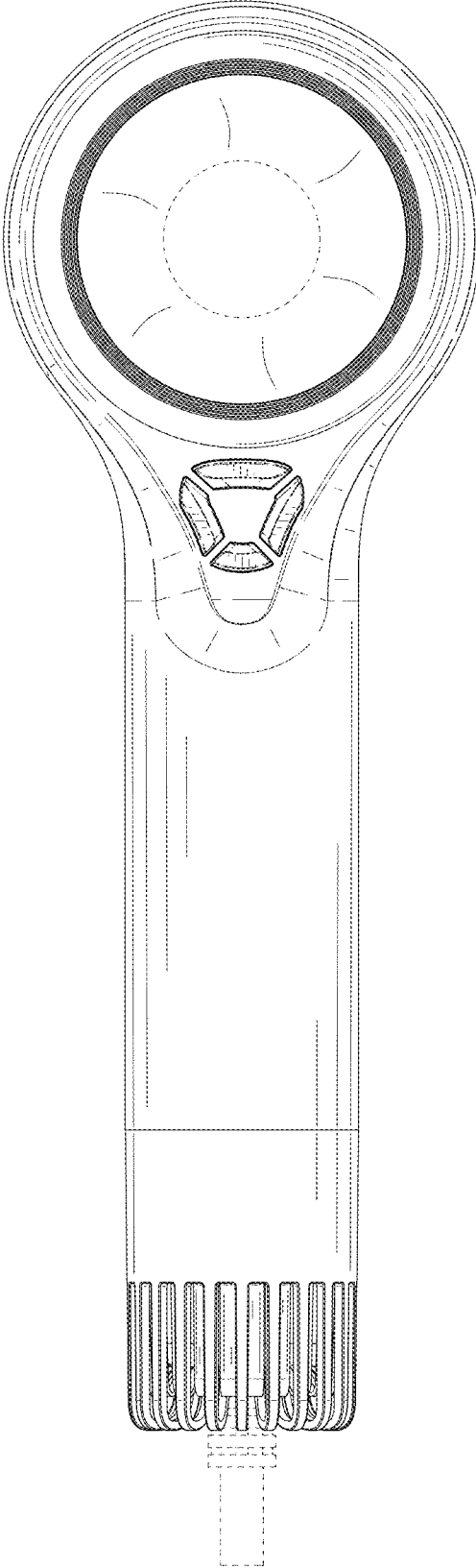


FIG. 4

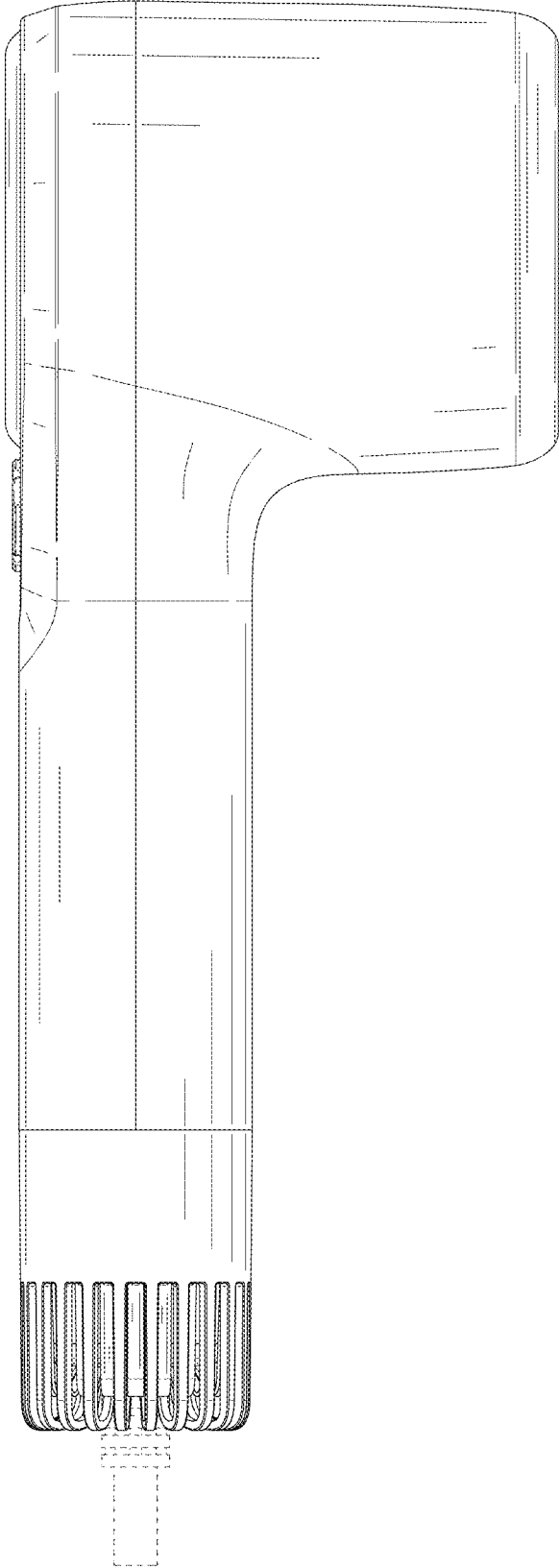


FIG. 5

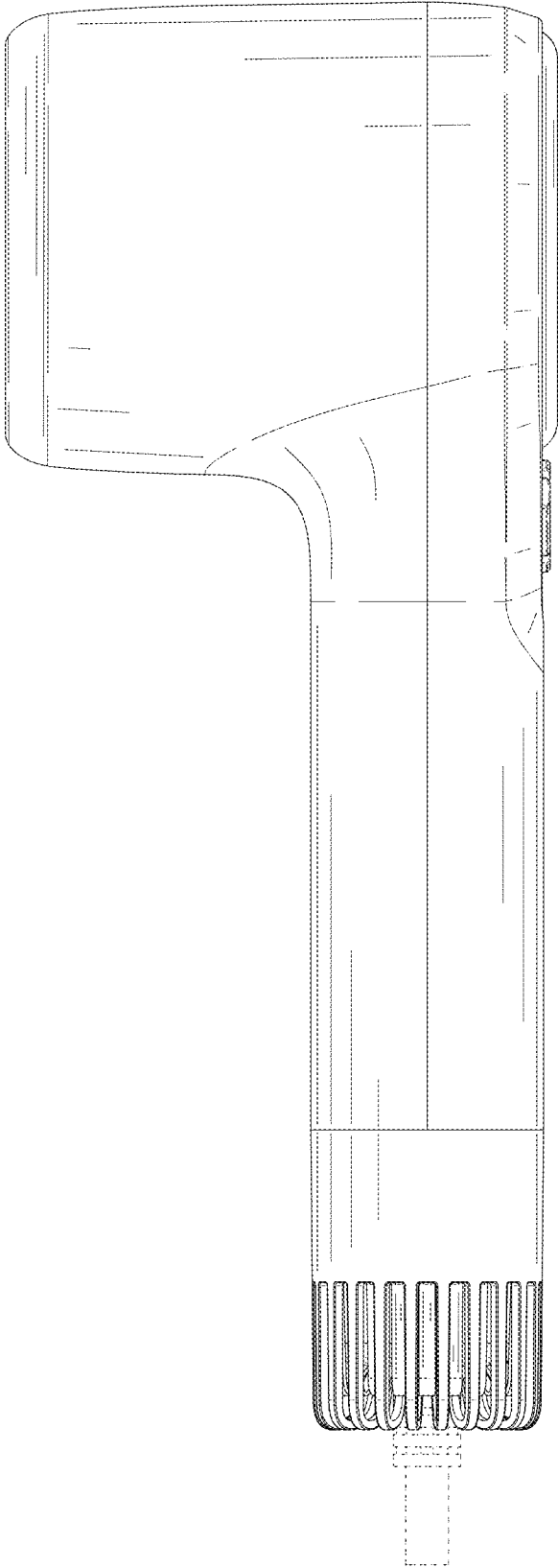


FIG. 6

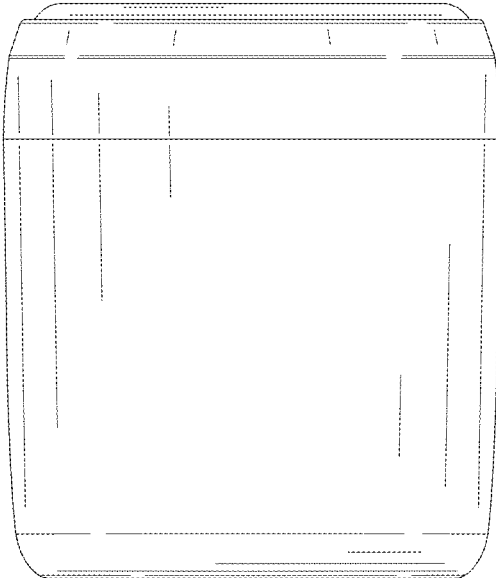


FIG. 7

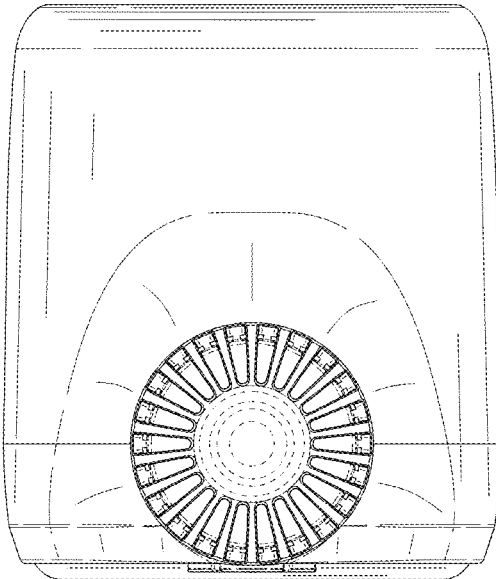


FIG. 8

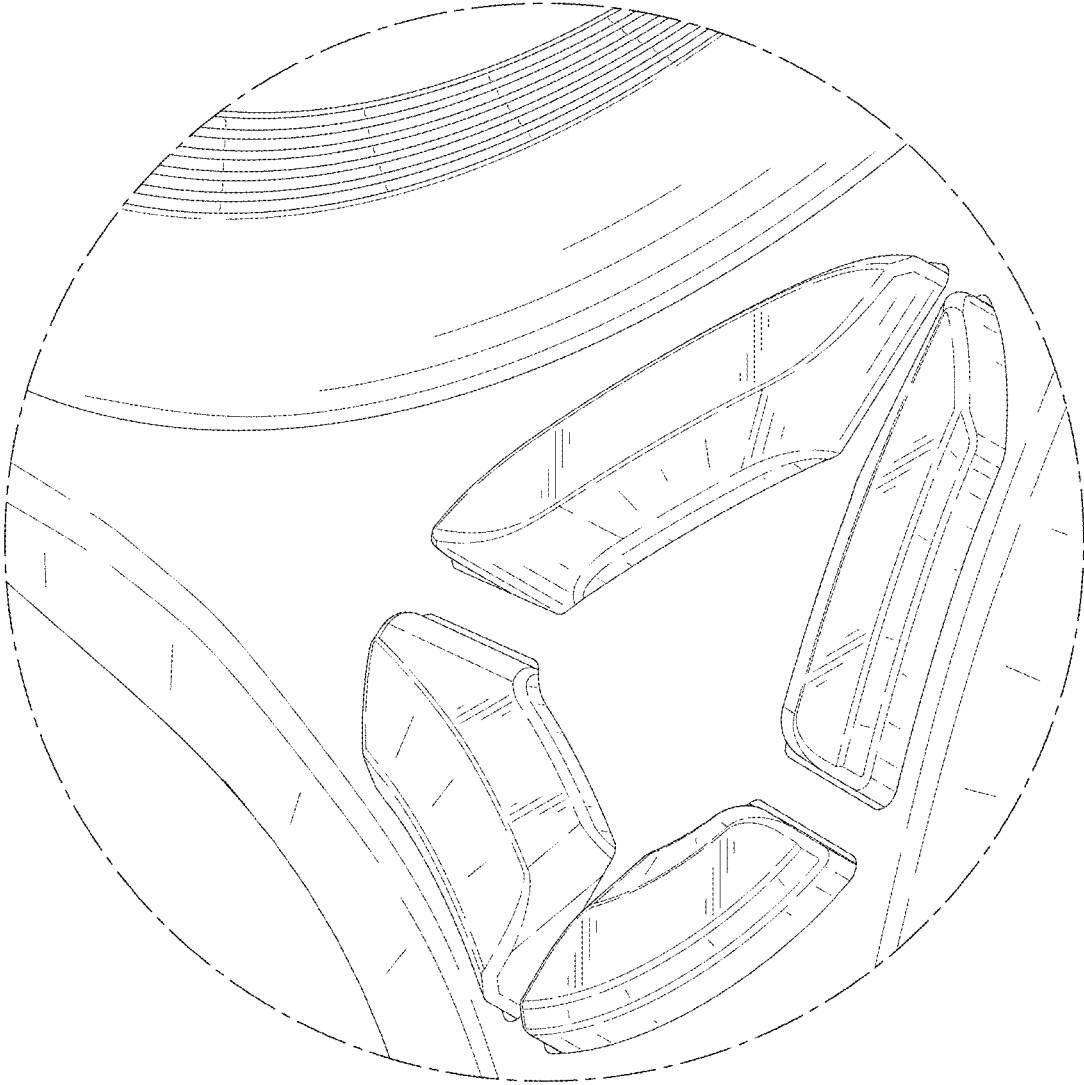


FIG. 9

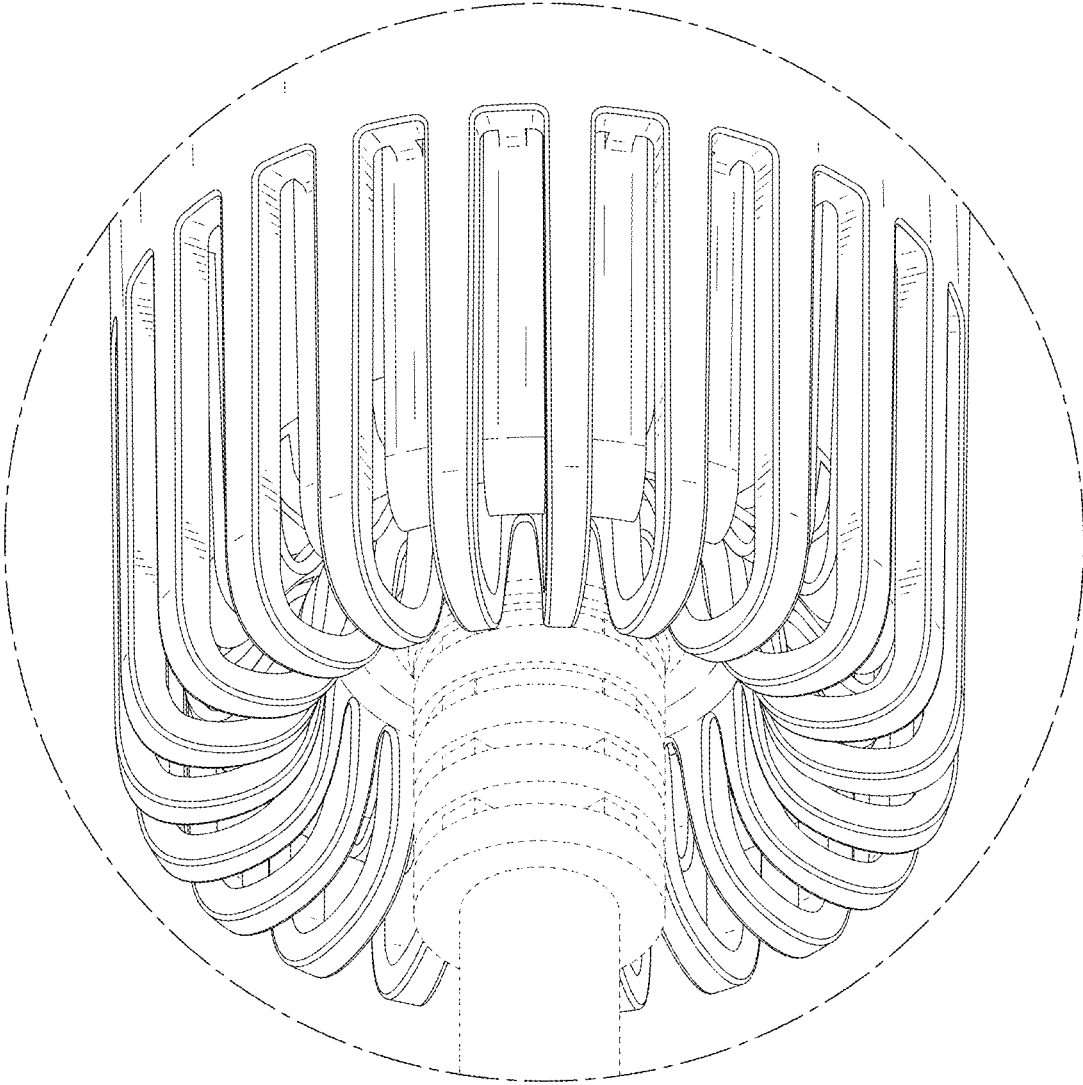


FIG. 10