

(19) World Intellectual Property
Organization
International Bureau



(43) International Publication Date
16 December 2004 (16.12.2004)

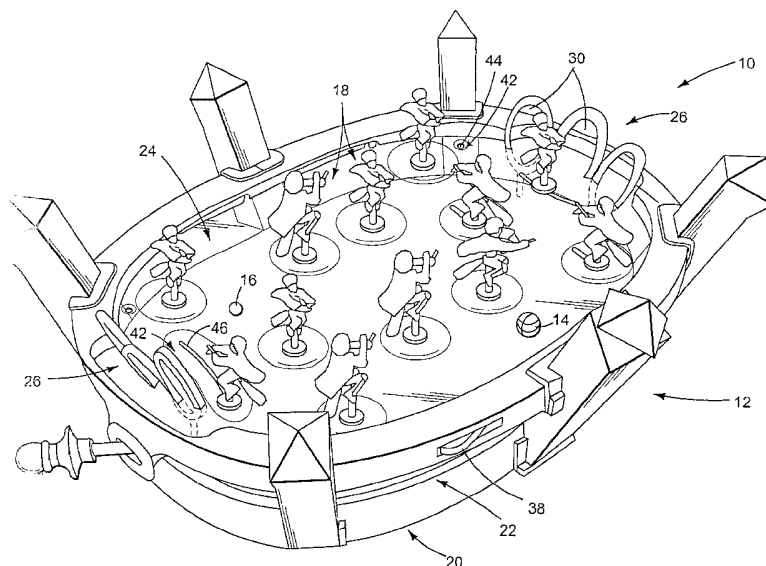
PCT

(10) International Publication Number
WO 2004/108235 A3

- (51) International Patent Classification⁷: **A63F 07/06**, 09/02, 07/24
- (21) International Application Number:
PCT/US2004/018136
- (22) International Filing Date: 7 June 2004 (07.06.2004)
- (25) Filing Language: English
- (26) Publication Language: English
- (30) Priority Data:
60/476,468 5 June 2003 (05.06.2003) US
10/861,778 4 June 2004 (04.06.2004) US
- (71) Applicant (for all designated States except US): **MATTEL, INC.** [US/US]; 333 Continental Blvd., El Segundo, CA 90245 (US).
- (72) Inventors: **BEDFORD, Jonathan**; 5531 Wiseburn, Hawthorne, CA 90250 (US). **KEIFER, Jim**; 754 14th Street, Manhattan Beach, CA 90265 (US). **HARDIE, Jeannie, Burns**; 15205 Haas Avenue, Gardena, CA 90249 (US). **SCHULTZ, Lucy**; 21025 Royal Blvd., Torrance, CA 90502 (US).
- (74) Agent: **TUTTLE, Christopher, S.**; Kolisch Hartwell, P.C., 520 S.W. Yamhill Street, Suite 200, Portland, OR 97204 (US).
- (81) Designated States (unless otherwise indicated, for every kind of national protection available): AE, AG, AL, AM, AT, AU, AZ, BA, BB, BG, BR, BW, BY, BZ, CA, CH, CN, CO, CR, CU, CZ, DE, DK, DM, DZ, EC, EE, EG, ES, FI, GB, GD, GE, GH, GM, HR, HU, ID, IL, IN, IS, JP, KE, KG, KP, KR, KZ, LC, LK, LR, LS, LT, LU, LV, MA, MD, MG, MK, MN, MW, MX, MZ, NA, NI, NO, NZ, OM, PG, PH, PL, PT, RO, RU, SC, SD, SE, SG, SK, SL, SY, TJ, TM, TN, TR, TT, TZ, UA, UG, US, UZ, VC, VN, YU, ZA, ZM, ZW.
- (84) Designated States (unless otherwise indicated, for every kind of regional protection available): ARIPO (BW, GH, GM, KE, LS, MW, MZ, NA, SD, SL, SZ, TZ, UG, ZM, ZW), Eurasian (AM, AZ, BY, KG, KZ, MD, RU, TJ, TM), European (AT, BE, BG, CH, CY, CZ, DE, DK, EE, ES, FI, FR, GB, GR, HU, IE, IT, LU, MC, NL, PL, PT, RO, SE, SI, SK, TR), OAPI (BF, BJ, CF, CG, CI, CM, GA, GN, GQ, GW, ML, MR, NE, SN, TD, TG).

[Continued on next page]

(54) Title: TABLE GAME



(57) Abstract: A game (10) is provided including several player pieces (18) mounted to a platform (24). Opposing players articulate player pieces (18) to score goals by manipulating a ball (14) through the opponent's goal (26). In some embodiments, a random timer triggers the release of an another ball that the opposing players try to catch using a magnetic portion (84) of the player pieces. A launching mechanism (86) may be included that, when triggered by one of the balls, ejects a corresponding player piece (18) from the platform (24).

WO 2004/108235 A3



Published:

- *with international search report*
- *before the expiration of the time limit for amending the claims and to be republished in the event of receipt of amendments*

For two-letter codes and other abbreviations, refer to the "Guidance Notes on Codes and Abbreviations" appearing at the beginning of each regular issue of the PCT Gazette.

(88) Date of publication of the international search report:

24 March 2005

INTERNATIONAL SEARCH REPORT

International application No.
PCT/US04/18136

A. CLASSIFICATION OF SUBJECT MATTER
 IPC(7) : A63F 07/06, 09/02, 07/24
 US CL : 273/108.1, 108.51, 108.56, 119R, 121A, 118A, 126A
 According to International Patent Classification (IPC) or to both national classification and IPC

B. FIELDS SEARCHED
 Minimum documentation searched (classification system followed by classification symbols)
 U.S. : Please See Continuation Sheet

Documentation searched other than minimum documentation to the extent that such documents are included in the fields searched

Electronic data base consulted during the international search (name of data base and, where practicable, search terms used)

C. DOCUMENTS CONSIDERED TO BE RELEVANT

Category *	Citation of document, with indication, where appropriate, of the relevant passages	Relevant to claim No.
X	US 4,4148,484 A (GEORGIEV et al) 10 April 1979 (10.04.1979), column 1, line 60 through column 3, line 44).	1-3, 9, 10
X	US 3,891,216 A (ENSMANN et al) 24 June 1975 (24.06.1975), column 2, line 38 through column 7, line 32).	11-18, 20-22
X	US 1,324,783 A (BAIN et al) 16 December 1919 (16.12.1919), page 1, column 1 through page 2, column 2, line 90.	23-25, 30
X	US 5,016,878 A (HAY et al) 21 May 1991 (21.05.1991), column 3, lines 10-39.	32

Further documents are listed in the continuation of Box C. See patent family annex.

* Special categories of cited documents:	"T" later document published after the international filing date or priority date and not in conflict with the application but cited to understand the principle or theory underlying the invention
"A" document defining the general state of the art which is not considered to be of particular relevance	"X" document of particular relevance; the claimed invention cannot be considered novel or cannot be considered to involve an inventive step when the document is taken alone
"E" earlier application or patent published on or after the international filing date	"Y" document of particular relevance; the claimed invention cannot be considered to involve an inventive step when the document is combined with one or more other such documents, such combination being obvious to a person skilled in the art
"L" document which may throw doubts on priority claim(s) or which is cited to establish the publication date of another citation or other special reason (as specified)	"&" document member of the same patent family
"O" document referring to an oral disclosure, use, exhibition or other means	
"P" document published prior to the international filing date but later than the priority date claimed	

Date of the actual completion of the international search: 20 October 2004 (20.10.2004)
 Date of mailing of the international search report: 10 JAN 2005

Name and mailing address of the ISA/US
 Mail Stop PCT, Attn: ISA/US
 Commissioner for Patents
 P.O. Box 1450
 Alexandria, Virginia 22313-1450
 Facsimile No. (703) 305-3230

Authorized officer: Sebastiano Passaniti
 Telephone No. 703-308-1148

INTERNATIONAL SEARCH REPORT

PCT/US04/18136

Continuation of B. FIELDS SEARCHED Item 1:

273/108.1, 108.51, 108.56, 119R, 121A, 118A, 126A, 108.2-108.5, 108.52-108.55, 108.57, 317.1-317.9, 120A; 446/309, 376, 429, 311, 312, 317, 354