



US00D790449S

(12) **United States Design Patent**
Yoon

(10) **Patent No.:** **US D790,449 S**
(45) **Date of Patent:** **** Jun. 27, 2017**

- (54) **TIRE STUD**
- (71) Applicant: **HANKOOK TIRE CO., LTD.**, Seoul (KR)
- (72) Inventor: **Sung Hee Yoon**, Seoul (KR)
- (73) Assignee: **Hankook Tire Co., Ltd.**, Seoul (KR)
- (**) Term: **15 Years**
- (21) Appl. No.: **29/535,758**
- (22) Filed: **Aug. 10, 2015**

D608,233	S	*	1/2010	Pirhonen	D12/608
D609,127	S	*	2/2010	Pirhonen	D12/608
D706,709	S	*	6/2014	Matsumoto	D12/608
D708,567	S	*	7/2014	Matsumoto	D12/608
D774,449	S	*	12/2016	Matsumoto	D12/608
D775,585	S	*	1/2017	Matsumoto	D12/608
D775,586	S	*	1/2017	Matsumoto	D12/608
D776,047	S	*	1/2017	Matsumoto	D12/608
D776,048	S	*	1/2017	Matsumoto	D12/608
D776,049	S	*	1/2017	Matsumoto	D12/608
D777,097	S	*	1/2017	Matsumoto	D12/608
2012/0067480	A1	*	3/2012	Hietarinta-Salakari	. B60C 11/16	152/210
2013/0000807	A1	*	1/2013	Pons	B60C 11/1643
						152/210

* cited by examiner

- (30) **Foreign Application Priority Data**
Feb. 17, 2015 (KR) 30-2015-0008778
- (51) **LOC (10) CL.** **12-15**
- (52) **U.S. CL.**
USPC **D12/605; D12/608**
- (58) **Field of Classification Search**
USPC D12/605, 604, 606, 607, 608, 400, 500, D12/501, 544, 579
CPC ... B60C 27/08; B60C 27/086; B60C 27/0223; B60C 11/1675; B60C 11/14
See application file for complete search history.

Primary Examiner — George D. Kirschbaum
Assistant Examiner — Clese Moore, Jr.
(74) *Attorney, Agent, or Firm* — Hamre, Schumann, Mueller & Larson, P.C.

(57) **CLAIM**
The ornamental design for a tire stud, as shown and described.

DESCRIPTION

FIG. 1 is a perspective view of a tire stud showing my new design;
FIG. 2 is a front elevational view thereof;
FIG. 3 is a rear elevational view thereof;
FIG. 4 is a left side view thereof;
FIG. 5 is a right side view thereof;
FIG. 6 is a top plan view thereof; and
FIG. 7 is a bottom plan view thereof.

- (56) **References Cited**
U.S. PATENT DOCUMENTS
D431,215 S * 9/2000 Nyblom D12/608
D550,611 S * 9/2007 Liukkula D12/608
D551,614 S * 9/2007 Liukkula D12/608
D559,775 S * 1/2008 Liukkula D12/608
D584,979 S * 1/2009 Pirhonen D12/608

1 Claim, 3 Drawing Sheets

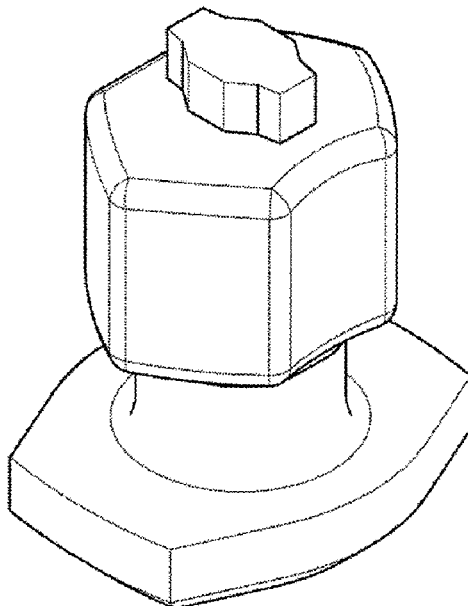


FIG. 1

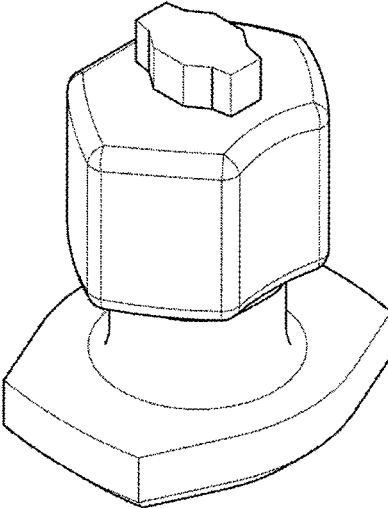


FIG. 2

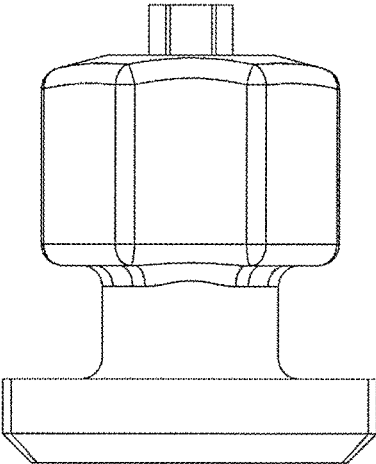


FIG. 3

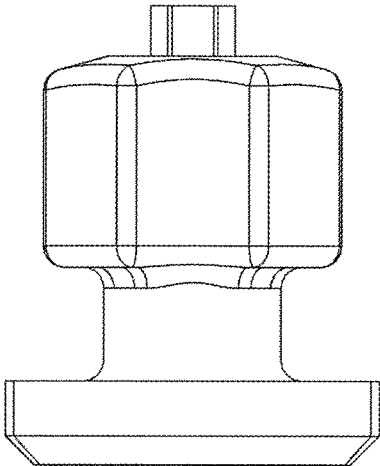


FIG. 4

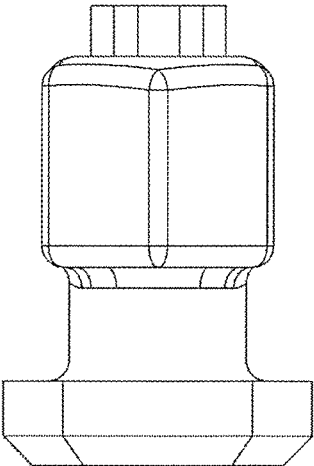


FIG. 5

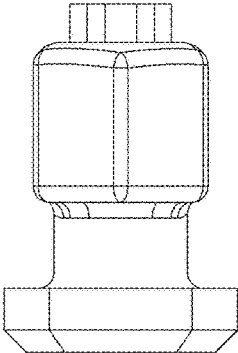


FIG. 6

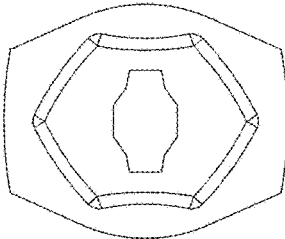


FIG. 7

