



(51) International Patent Classification:

H02K 9/06 (2006.01) G01P 3/481 (2006.01)
H02K 9/08 (2006.01) F16C 33/80 (2006.01)
H02K 5/20 (2006.01) F16C 41/00 (2006.01)
H02K 11/00 (2006.01)

(74) Agent: SAGOI, Masayuki; c/o TOSHIBA TECHNO CENTER INC., 1-1, Shibaura 1-chome, Minato-ku, Tokyo, 1058001 (JP).

(81) Designated States (unless otherwise indicated, for every kind of national protection available): AE, AG, AL, AM, AO, AT, AU, AZ, BA, BB, BG, BH, BR, BW, BY, BZ, CA, CH, CL, CN, CO, CR, CU, CZ, DE, DK, DM, DO, DZ, EC, EE, EG, ES, FI, GB, GD, GE, GH, GM, GT, HN, HR, HU, ID, IL, IN, IS, KE, KG, KM, KN, KP, KR, KZ, LA, LC, LK, LR, LS, LT, LU, LY, MA, MD, ME, MG, MK, MN, MW, MX, MY, MZ, NA, NG, NI, NO, NZ, OM, PE, PG, PH, PL, PT, QA, RO, RS, RU, RW, SC, SD, SE, SG, SK, SL, SM, ST, SV, SY, TH, TJ, TM, TN, TR, TT, TZ, UA, UG, US, UZ, VC, VN, ZA, ZM, ZW.

(21) International Application Number:

PCT/JP2012/000489

(22) International Filing Date:

26 January 2012 (26.01.2012)

(25) Filing Language:

English

(26) Publication Language:

English

(30) Priority Data:

2011-033444 18 February 2011 (18.02.2011) JP

(71) Applicant (for all designated States except US): **KA-BUSHIKI KAISHA TOSHIBA [JP/JP]**; 1-1, Shibaura 1-chome, Minato-ku, Tokyo, 1058001 (JP).

(72) Inventors; and

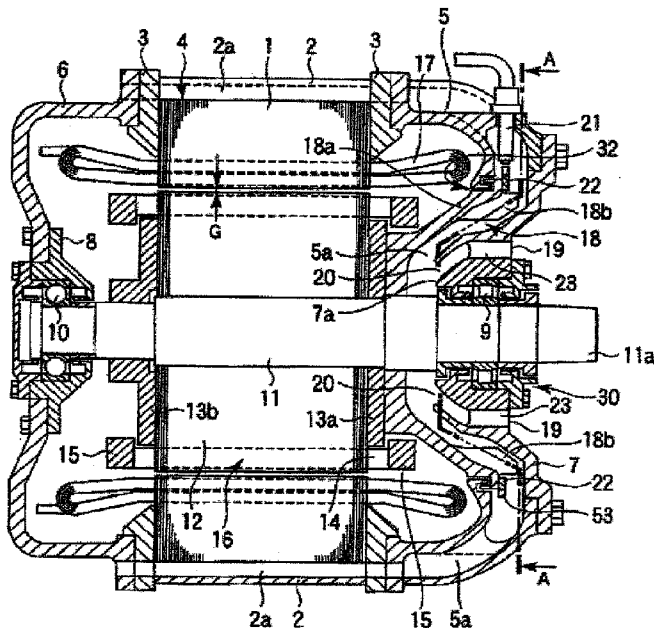
(75) Inventors/Applicants (for US only): **NAGAYAMA, Takashi. YAMADA, Toshiaki.**

(84) Designated States (unless otherwise indicated, for every kind of regional protection available): ARIPO (BW, GH, GM, KE, LR, LS, MW, MZ, NA, RW, SD, SL, SZ, TZ, UG, ZM, ZW), Eurasian (AM, AZ, BY, KG, KZ, MD, RU, TJ, TM), European (AL, AT, BE, BG, CH, CY, CZ, DE, DK, EE, ES, FI, FR, GB, GR, HR, HU, IE, IS, IT, LT, LU, LV, MC, MK, MT, NL, NO, PL, PT, RO, RS, SE, SI, SK, SM, TR), OAPI (BF, BJ, CF, CG, CI, CM, GA, GN, GQ, GW, ML, MR, NE, SN, TD, TG).

[Continued on next page]

(54) Title: ELECTRIC MOTOR

[Fig. 1]



(57) Abstract: In one embodiment, an electric motor. A first bracket is fixed to the first side of a stator core in an axial direction, and is fixed to first bearing housing. A second bracket is fixed to the second side of the stator core, and is fixed to second bearing housing. The rotor includes a shaft rotatably supported by bearings, and an attached rotor core. Rotor core faces the inside of the stator core. A fan is attached to the shaft between the rotor core and the first housing. A flue formed between the first housing and the first bracket is configured to draw air from a port to a part of the first bracket. A rotation detection circuit includes a detected part fixed to the fan, and is within the flue. A sensor operable to detect the part is set in the flue, counter to the detected part.



Published:

(88) Date of publication of the international search report:

- *with international search report (Art. 21(3))*
- *before the expiration of the time limit for amending the claims and to be republished in the event of receipt of amendments (Rule 48.2(h))*

10 April 2014

INTERNATIONAL SEARCH REPORT

International application No
PCT/JP2012/000489

A. CLASSIFICATION OF SUBJECT MATTER
 INV. H02K9/06 H02K9/08 H02K5/20 H02K11/00 G01P3/481
 F16C33/80 F16C41/00
 ADD.
 According to International Patent Classification (IPC) or to both national classification and IPC

B. FIELDS SEARCHED
 Minimum documentation searched (classification system followed by classification symbols)
 H02K F16C G01P

Documentation searched other than minimum documentation to the extent that such documents are included in the fields searched

Electronic data base consulted during the international search (name of data base and, where practicable, search terms used)
 EPO-Internal

C. DOCUMENTS CONSIDERED TO BE RELEVANT

Category*	Citation of document, with indication, where appropriate, of the relevant passages	Relevant to claim No.
X	US 2001/017498 A1 (MATSUOKA KOICHI [JP] ET AL) 30 August 2001 (2001-08-30)	1
Y	paragraphs [0047], [0064], [0084], [0085], [0156], [0158], [0161], [0192], [0239], [0241]; figures 1-17	2-8, 11-20
A	-----	9,10
Y	JP 2009 284736 A (TOYOTA IND CORP) 3 December 2009 (2009-12-03) abstract; figures 1-3	2-8, 11-20
Y	-----	
Y	JP 2010 106924 A (JTEKT CORP) 13 May 2010 (2010-05-13) abstract; figures 1-8	2-8, 11-20
Y	-----	
Y	JP H11 281312 A (NISSAN DIESEL MOTOR CO) 15 October 1999 (1999-10-15) abstract; figures 1-4	2-8, 11-20

Further documents are listed in the continuation of Box C.

See patent family annex.

* Special categories of cited documents :

<p>"A" document defining the general state of the art which is not considered to be of particular relevance</p> <p>"E" earlier application or patent but published on or after the international filing date</p> <p>"L" document which may throw doubts on priority claim(s) or which is cited to establish the publication date of another citation or other special reason (as specified)</p> <p>"O" document referring to an oral disclosure, use, exhibition or other means</p> <p>"P" document published prior to the international filing date but later than the priority date claimed</p>	<p>"T" later document published after the international filing date or priority date and not in conflict with the application but cited to understand the principle or theory underlying the invention</p> <p>"X" document of particular relevance; the claimed invention cannot be considered novel or cannot be considered to involve an inventive step when the document is taken alone</p> <p>"Y" document of particular relevance; the claimed invention cannot be considered to involve an inventive step when the document is combined with one or more other such documents, such combination being obvious to a person skilled in the art</p> <p>"&" document member of the same patent family</p>
---	---

Date of the actual completion of the international search 7 February 2014	Date of mailing of the international search report 18/02/2014
--	--

Name and mailing address of the ISA/ European Patent Office, P.B. 5818 Patentlaan 2 NL - 2280 HV Rijswijk Tel. (+31-70) 340-2040, Fax: (+31-70) 340-3016	Authorized officer Kanelis, Konstantin
--	---

INTERNATIONAL SEARCH REPORT

Information on patent family members

International application No

PCT/JP2012/000489

Patent document cited in search report	Publication date	Patent family member(s)	Publication date	
US 2001017498	A1	30-08-2001	KR 20010085527 A	07-09-2001
			US 2001017498 A1	30-08-2001

JP 2009284736	A	03-12-2009	JP 5018642 B2	05-09-2012
			JP 2009284736 A	03-12-2009

JP 2010106924	A	13-05-2010	JP 5212814 B2	19-06-2013
			JP 2010106924 A	13-05-2010

JP H11281312	A	15-10-1999	NONE	
