



US00D968892S

(12) **United States Design Patent**
Li

(10) **Patent No.:** **US D968,892 S**

(45) **Date of Patent:** **** Nov. 8, 2022**

- (54) **COCKTAIL SMOKED PLATE**
- (71) Applicant: **Changhao Li**, Jiujiang (CN)
- (72) Inventor: **Changhao Li**, Jiujiang (CN)
- (**) Term: **15 Years**
- (21) Appl. No.: **29/823,097**
- (22) Filed: **Jan. 14, 2022**
- (51) **LOC (13) Cl.** **07-02**
- (52) **U.S. Cl.**
USPC **D7/409**
- (58) **Field of Classification Search**
USPC D7/323, 328-334, 339-349, 350.1, 354,
D7/360, 361, 368, 390, 391, 392.1,
D7/402-406, 409, 540, 542; D26/9;
D28/91
CPC ... A21B 2/00; A47J 37/00; A47J 37/06; A47J
37/0611; A47J 37/0704; A47J 37/08;
A47J 37/0807; A47J 37/0814; A47J
37/0835; A47J 37/0842; A47J 37/085;
A47J 37/0864; A47J 37/0878; A47J
37/0885; A47J 37/0892; A47J 37/10;
A47J 37/101; F24B 1/205; F24B 1/1808;
F24B 5/087; F24C 7/00; F24C 7/002;
F24C 7/046; F24C 7/067; F24C 15/02;
F24C 15/04; F24C 15/10; F24C 15/102;
F16B 37/043; E03C 1/20; E03F 5/0408
See application file for complete search history.

5,595,108	A *	1/1997	Sheu	A47J 37/101
				99/413
D514,372	S *	2/2006	Kaposi	D7/391
D701,722	S *	4/2014	Merzouky	D7/354
D748,426	S *	2/2016	Carzaniga	D7/354
D806,461	S	1/2018	Upston	
10,190,305	B2 *	1/2019	Howson	E03F 5/0408
D919,347	S	5/2021	Kaidash	
D944,594	S *	3/2022	Sumner	D7/409
D945,815	S *	3/2022	Oliver	D7/368
2008/0022455	A1 *	1/2008	McAlpine	E03C 1/20
				4/679

OTHER PUBLICATIONS

Sitoo Cocktail Smoker Kit. Date First Available on Amazon.com Nov. 4, 2021. <https://www.amazon.com/dp/B09KZX34TZ/ref> (Year: 2021).*

* cited by examiner

Primary Examiner — Ricky Pham

(57) **CLAIM**

The ornamental design for a cocktail smoked plate, as shown and described.

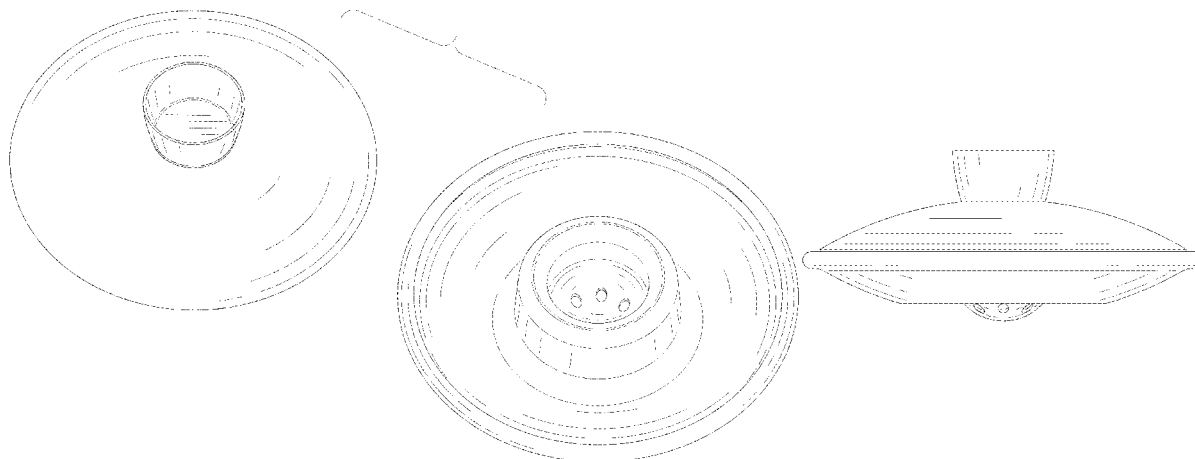
DESCRIPTION

FIG. 1 is a perspective view of a cocktail smoked plate showing my new design;
FIG. 2 is another perspective view thereof;
FIG. 3 is a front elevational view thereof;
FIG. 4 is a rear elevational view thereof;
FIG. 5 is a left side elevational view thereof;
FIG. 6 is a right side elevational view thereof;
FIG. 7 is a top plan view thereof;
FIG. 8 is a bottom plan view thereof; and,
FIG. 9 is a front elevational view of the cocktail smoked plate where the cocktail smoked plate is in a configuration of use.

1 Claim, 9 Drawing Sheets

(56) **References Cited**
U.S. PATENT DOCUMENTS

D153,999	S *	5/1949	Ulvad	D28/91
D230,811	S *	3/1974	Gordon	D7/354
D272,504	S *	2/1984	Angelakos	D7/540
D299,172	S *	12/1988	Perkins	D26/9
D315,474	S *	3/1991	Turner	D7/391



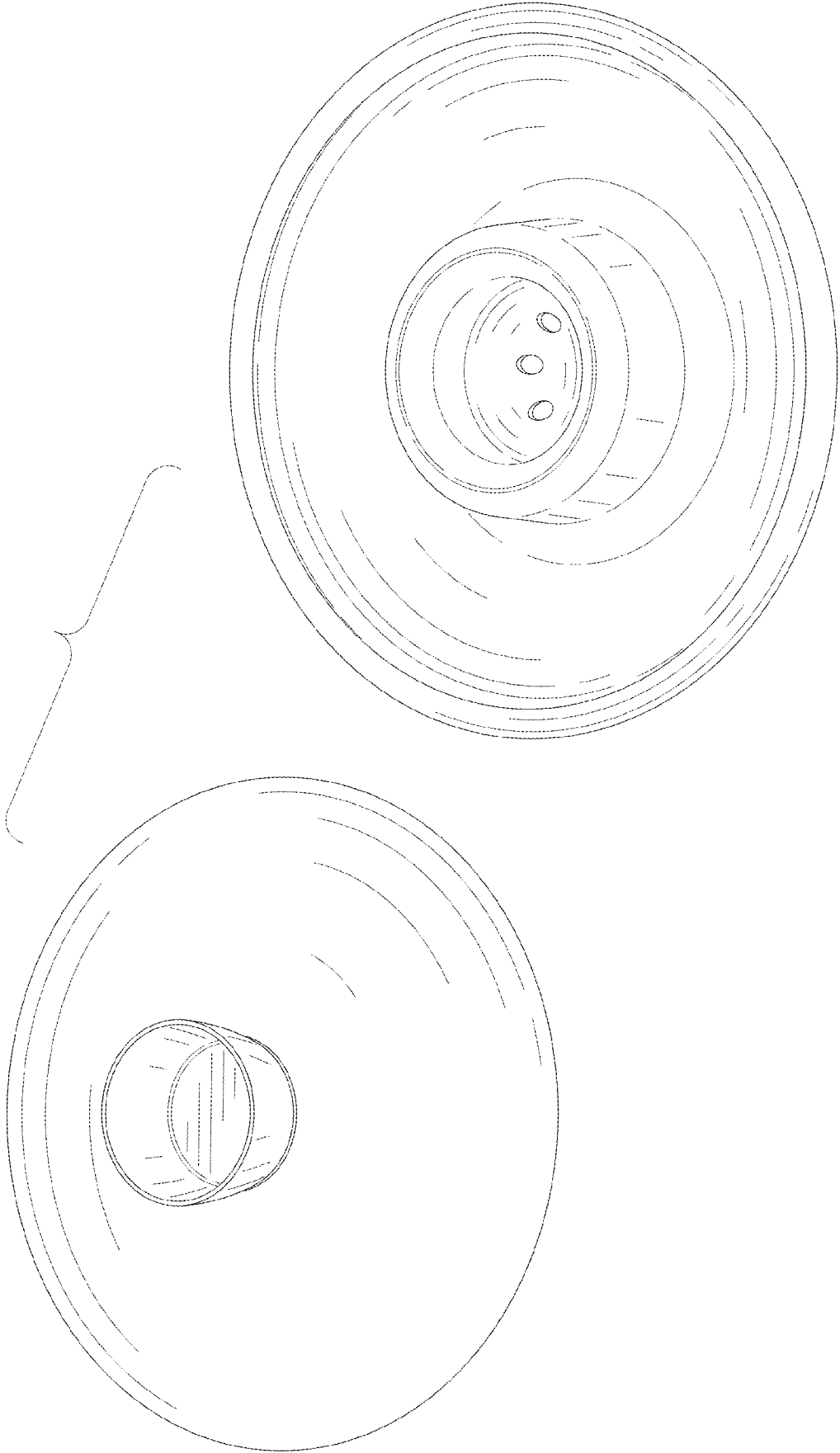


FIG. 1

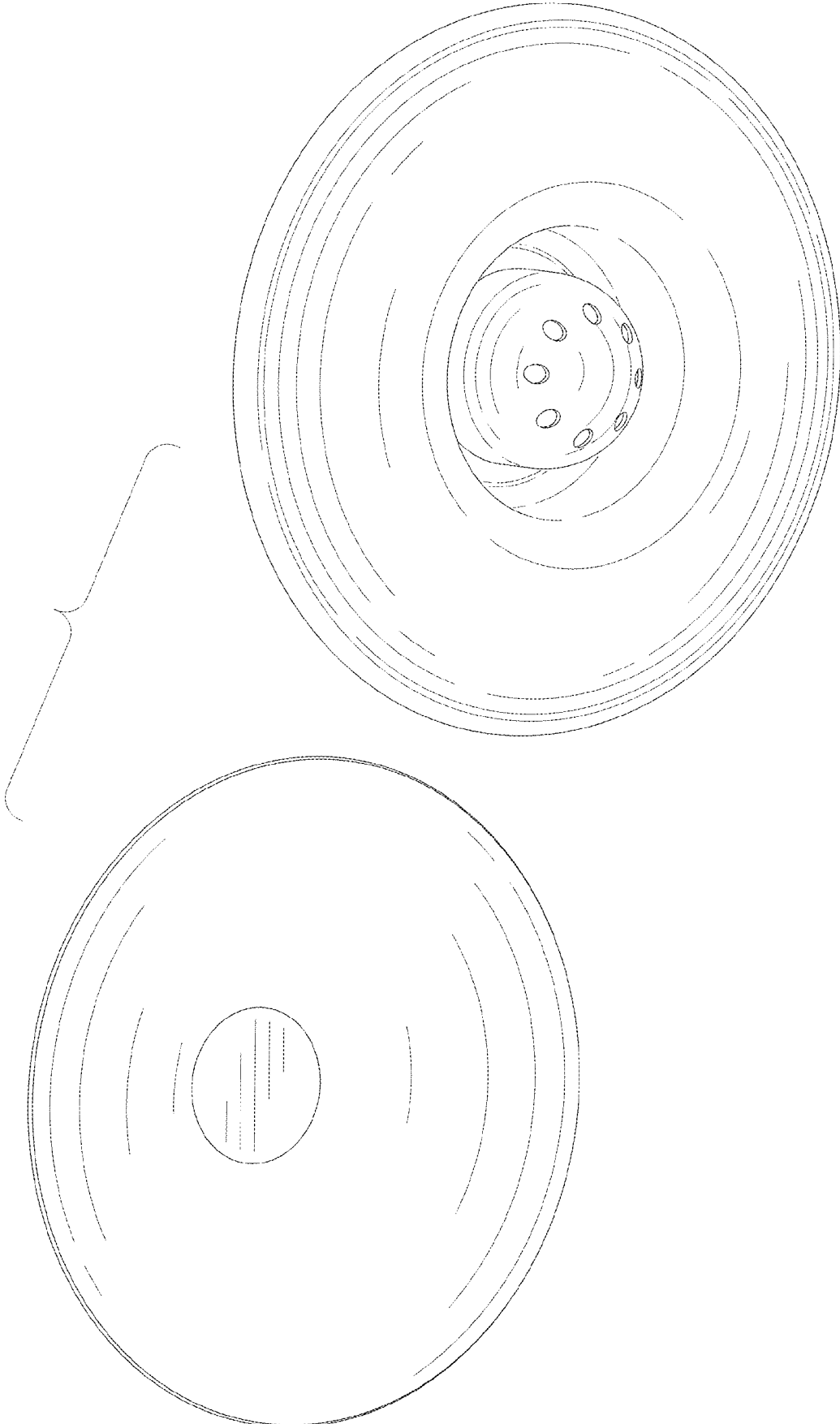


FIG. 2

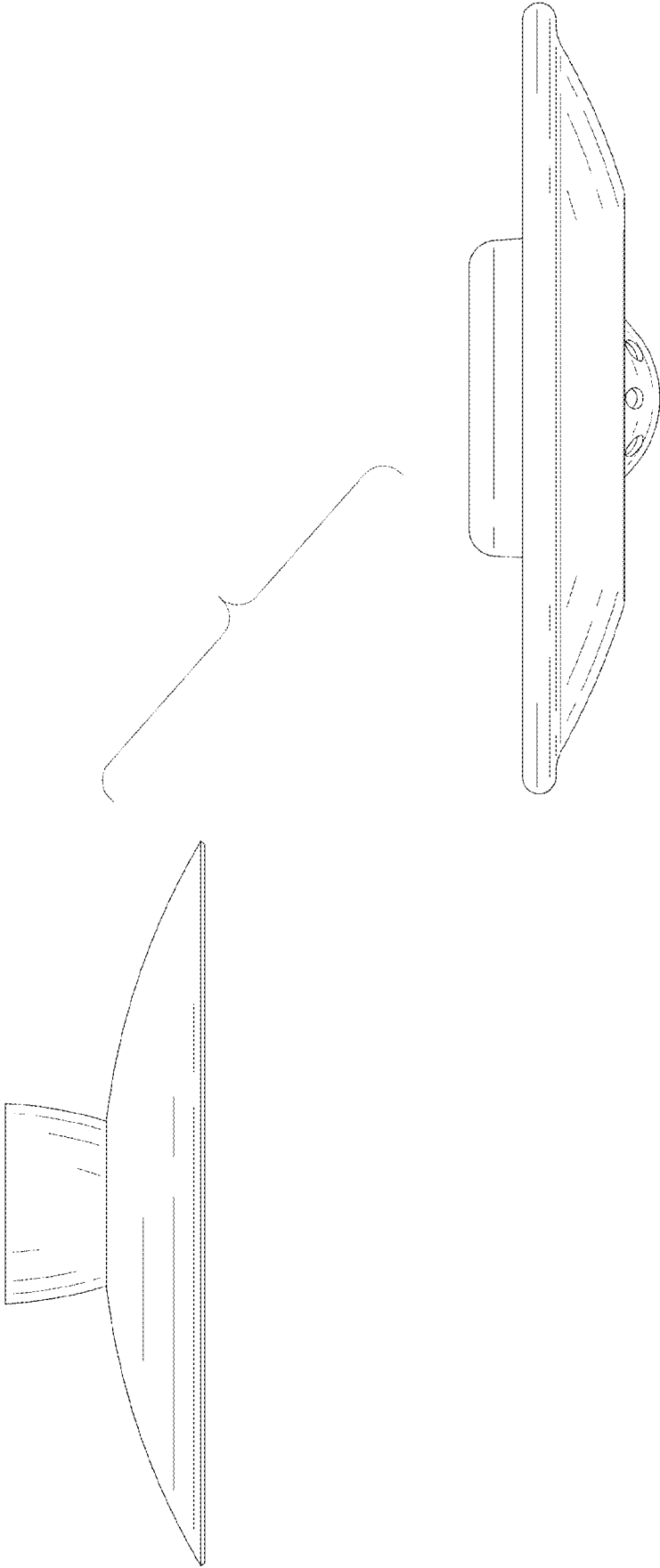


FIG. 3

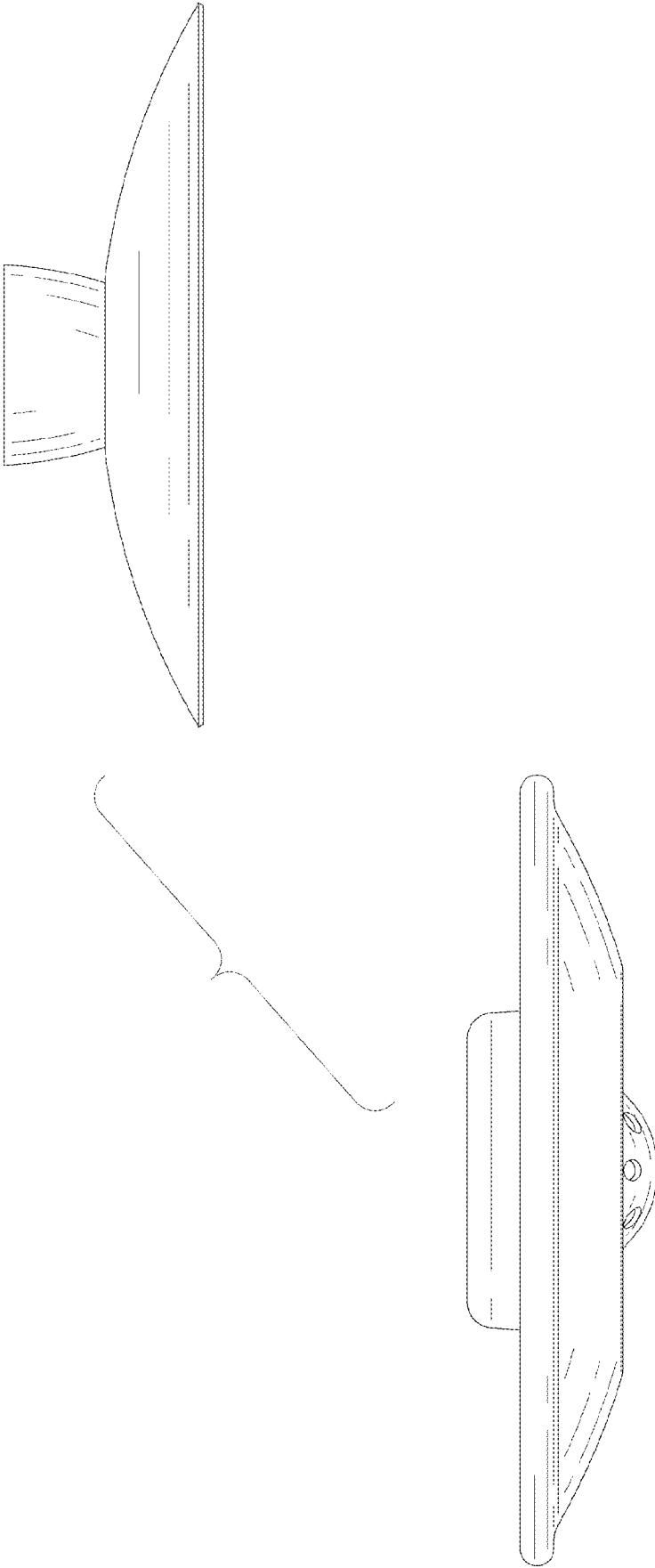


FIG. 4

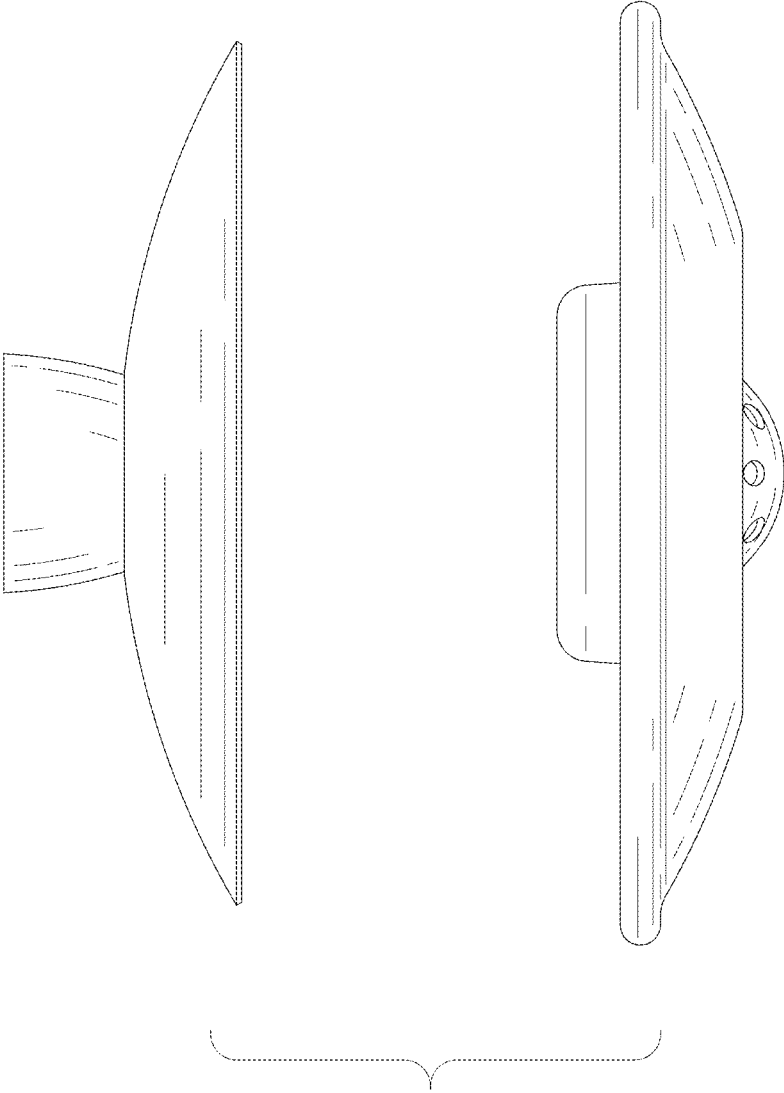


FIG. 5

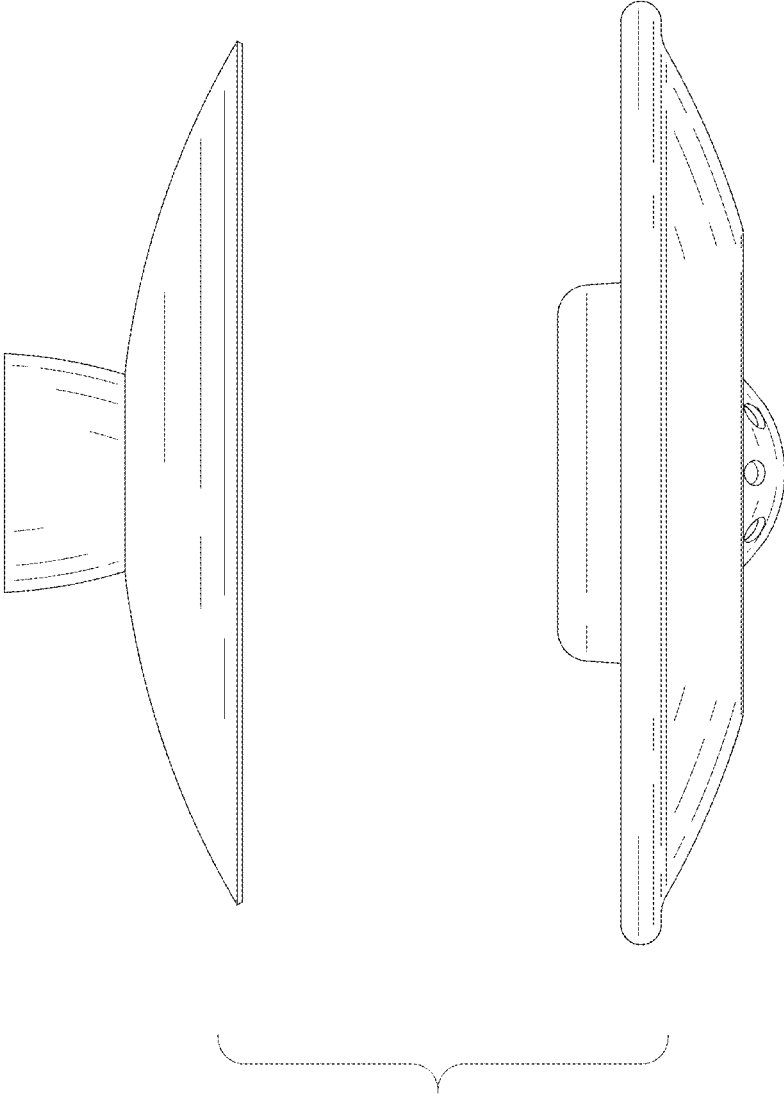


FIG. 6

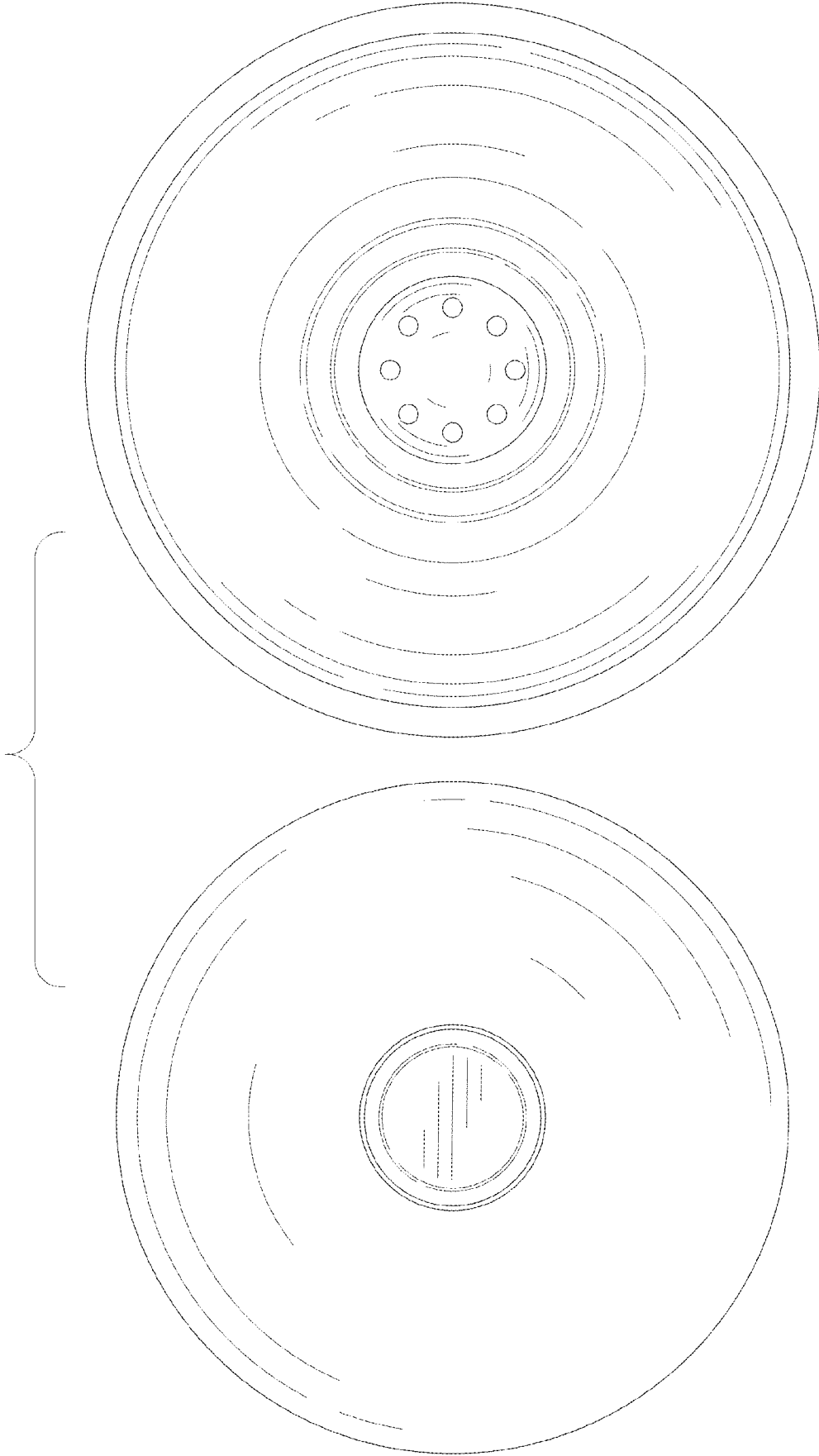


FIG. 7

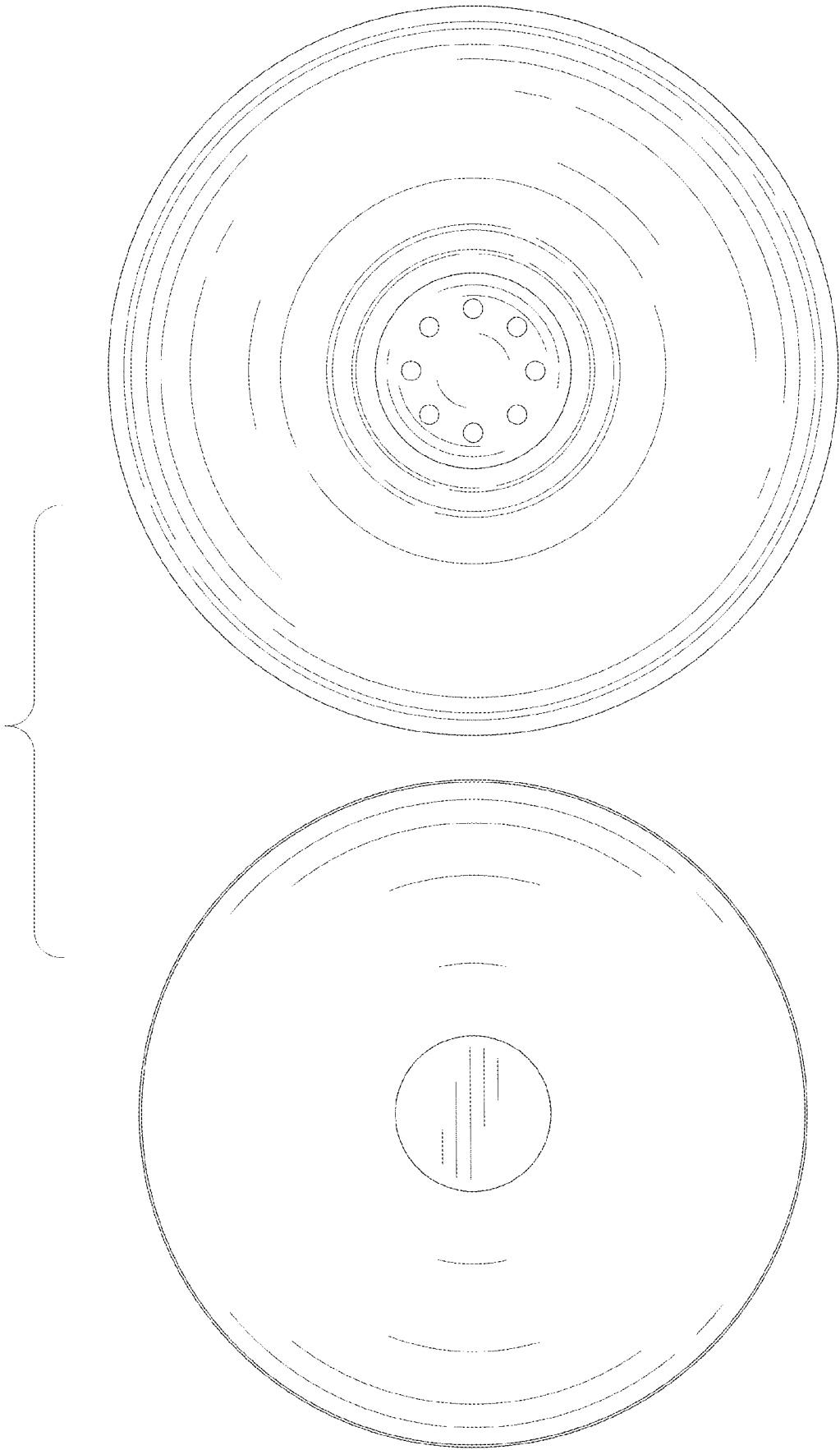


FIG. 8

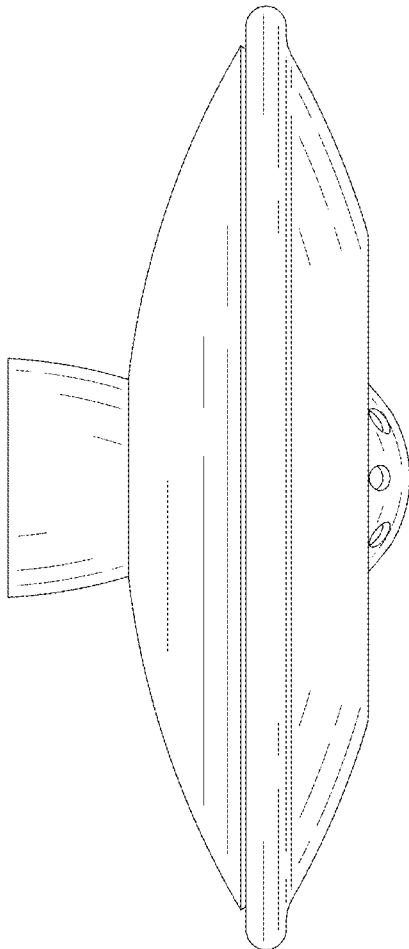


FIG. 9