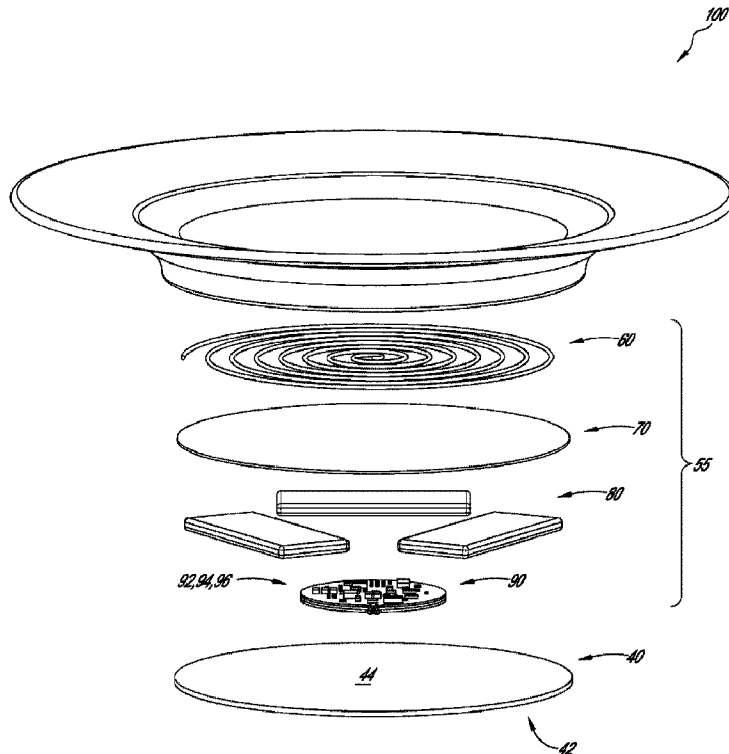




(22) **Date de dépôt/Filing Date:** 2014/02/27  
 (41) **Mise à la disp. pub./Open to Public Insp.:** 2014/10/02  
 (45) **Date de délivrance/Issue Date:** 2023/07/04  
 (62) **Demande originale/Original Application:** 2 900 398  
 (30) **Priorités/Priorities:** 2013/03/14 (US13/830934);  
 2013/12/30 (US14/144283)

(51) **Cl.Int./Int.Cl. A47G 19/00** (2006.01),  
**A47G 19/26** (2006.01), **A47G 23/04** (2006.01),  
**A47G 29/00** (2006.01), **A47J 36/24** (2006.01),  
**A47J 39/02** (2006.01)  
 (72) **Inventeur/Inventor:**  
 ALEXANDER, CLAYTON, US  
 (73) **Propriétaire/Owner:**  
 EMBER TECHNOLOGIES, INC., US  
 (74) **Agent:** SMART & BIGGAR LP

(54) **Titre : VAISSELLE ET VERRES AVEC SYSTEME DE CHAUFFAGE OU DE REFROIDISSEMENT**  
 (54) **Title: HEATED OR COOLED DISHWARE AND DRINKWARE**



(57) **Abrégé/Abstract:**

In actively heated or cooled baby bottle is provided, including a container body having a circumferential wall extending between an opening at a proximal end and a base, the opening configured to receive one or both of a nipple and cap thereon, the

**(57) Abrégé(suite)/Abstract(continued):**

circumferential wall and the base together defining a chamber configured to receive and hold a liquid, the circumferential wall extending distally of the base to a bottom portion to define a cavity between the base and the bottom portion that is bounded by the circumferential wall. The actively heated or cooled baby bottle further includes a heating or cooling system disposed in the cavity between the base and the bottom portion, including: one or more heating or cooling elements in thermal communication with at least a portion of the chamber and operable to actively heat or cool at least a portion of the chamber, one or more batteries, and circuitry configured to control an operation of the one or more heating or cooling elements to heat or cool the liquid in the chamber to a predetermined temperature or user selected temperature setting. The circuitry is further configured to wirelessly communicate with an electronic device to transmit information to the electronic device and/or to receive instructions from the electronic device.

## HEATED OR COOLED DISHWARE AND DRINKWARE

### ABSTRACT

In actively heated or cooled baby bottle is provided, including a container body having a circumferential wall extending between an opening at a proximal end and a base, the opening configured to receive one or both of a nipple and cap thereon, the circumferential wall and the base together defining a chamber configured to receive and hold a liquid, the circumferential wall extending distally of the base to a bottom portion to define a cavity between the base and the bottom portion that is bounded by the circumferential wall. The actively heated or cooled baby bottle further includes a heating or cooling system disposed in the cavity between the base and the bottom portion, including: one or more heating or cooling elements in thermal communication with at least a portion of the chamber and operable to actively heat or cool at least a portion of the chamber, one or more batteries, and circuitry configured to control an operation of the one or more heating or cooling elements to heat or cool the liquid in the chamber to a predetermined temperature or user selected temperature setting. The circuitry is further configured to wirelessly communicate with an electronic device to transmit information to the electronic device and/or to receive instructions from the electronic device.

## HEATED OR COOLED DISHWARE AND DRINKWARE

[0001]

5

### BACKGROUND

#### Field

[0002] The invention is directed to dishware and drinkware, such as plates and mugs, and more particularly to actively heated or cooled dishware and drinkware.

#### 10 Description of the Related Art

[0003] Dishware (e.g., plates, bowls), serverware (e.g., platters, serving dishes, hot plates) and drinkware (e.g., cups, mugs, travel mugs, liquid containers, baby bottles, drinking bottles) are sometimes made of ceramic materials. Plates are sometimes heated by placing into an oven, so that the food on the plate can be maintained warm for a longer time than if the plate was not heated. For example, in some restaurants, plates will be heated prior to food being placed thereon, or simultaneously with the food (e.g., a steak) thereon. For example, a plate holding a steak can be placed into an oven to cook the steak, and once removed the plate maintains the food warm for a while. In some instances, a plate or bowl might also be chilled to maintain food thereon cold for a longer period of time (e.g., salad, gazpacho) than if the plate was not chilled. However, such heating and cooling mechanisms are passive mechanisms that rely on the release of heat, in the case of a heated plate, or the absorption of heat, in the case of a chilled plate, by the plate based on the heat transfer properties of the ceramic material.

15

20

[0004] However, technology for actively heating, or cooling, dishwasher safe dishware or drinkware is not readily available. Accordingly, there is a need for dishwasher safe dishware (e.g., plates, bowls), serverware (e.g., platters, serving dishes, hot plates) and drinkware (e.g., cups, mugs, travel mugs, liquid containers, baby bottles, drinking bottles) that can be actively heated or cooled during use.

## SUMMARY

[0005] In accordance with a first aspect of the invention, an actively heated mug or travel mug is provided. The actively heated mug or travel mug comprises a body having a receiving portion for receiving and holding a liquid and a heating system. The heating system comprises one or more heating elements configured to heat one or more surfaces of the receiving portion of the body, one or more power storage elements, and a wireless power receiver configured to wirelessly receive power from a power source. The heating system further comprises control circuitry electrically connected to the wireless power receiver, the control circuitry configured to charge the one or more power storage elements and to control the delivery of electricity from the one or more power storage elements to the one or more heating elements. The heating system further comprises one or more sensors configured to sense a parameter of the liquid and/or sense a parameter of the heating system and communicate said sensed parameter information to the control circuitry. The control circuitry is configured to turn on, turn off, and/or operate the one or more heating elements at a given power setting based at least in part on the sensed parameter information.

[0006] In accordance with a second aspect of the invention, an actively heated mug or travel mug is provided. The actively heated mug or travel mug comprises a body having a receiving portion for receiving and holding a liquid, the body having a vacuum insulated chamber configured to reduce the rate in which heat energy exits the mug or travel mug, and a heating system. The heating system comprises one or more heating elements configured to heat one or more surfaces of the receiving portion of the body, one or more power storage elements, and a wireless power receiver configured to wirelessly receive power from a power source. The heating system further comprises control circuitry electrically

connected to the wireless power receiver, the control circuitry configured to charge one or more power storage elements and to control the delivery of electricity from the one or more power storage elements to the one or more heating elements.

5           **[0007]**     In accordance with a third aspect of the invention, an actively heated mug or travel mug is provided. The actively heated mug or travel mug comprises a body having a receiving portion for receiving and holding a liquid, and a heating system. The heating system comprises one or more heating elements configured to heat one or more surfaces of the receiving portion of the body, one or more heating elements configured to heat one or more surfaces of the receiving portion of the body, and control circuitry electrically connected  
10 to the wireless power receiver, the control circuitry configured to charge one or more power storage elements and to control the delivery of electricity from the one or more power storage elements to the one or more heating elements. The actively heated mug or travel mug further comprises a user interface on a surface of the body, the user interface being electrically connected to the control circuitry and having one or more user actuatable controls to provide  
15 operating instructions to the control circuitry. The control circuitry is configured to operate the one or more heating elements to actively heat at least a portion of the body to maintain the liquid in a heated state generally at a user selected temperature setting based at least in part on said instructions.

20           **[0008]**     In accordance with a fourth aspect of the invention, an actively heated mug or travel mug is provided. The actively heated mug or travel mug comprises a body having a receiving portion for receiving and holding a liquid, and a heating system. The heating system comprises one or more heating elements configured to heat one or more surfaces of the receiving portion of the body, one or more power storage elements, a wireless power receiver configured to wirelessly receive power from a power source, and control circuitry  
25 electrically connected to the wireless power receiver, the control circuitry configured to charge one or more power storage elements and to control the delivery of electricity from the one or more power storage elements to the one or more heating elements. The heating system further comprises a wireless transmitter or receiver and/or transceiver configured to establish a communication connection with a remote device or mobile electronic device.

**[0009]** In accordance with a fifth aspect of the invention, an actively heated and cooled mug or travel mug is provided with a body having a receiving portion for receiving and holding a liquid and a heating and cooling system. The heating and cooling system comprises three or more thermoelectric heating and cooling elements electrically isolated from each other and configured to actively heat and cool at least a portion of the receiving portion of the body, one or more power storage elements, a wireless power receiver configured to wirelessly receive power from a power source, control circuitry electrically connected to the wireless power receiver, the control circuitry configured to charge the one or more power storage elements and to control the delivery of electricity from the one or more power storage elements to the heating and cooling elements, and one or more temperature sensors configured to sense a temperature of the liquid in the receiving portion. The control circuitry is configured to operate each of the of heating and cooling elements independently of each other to actively decrease the temperature of the liquid if said temperature is greater than a predetermined drinking temperature, and configured to operate the heating and cooling elements to actively increase the temperature of the liquid if said temperature is lower than the predetermined drinking temperature.

**[0010]** The actively heated and cooled mug or travel mug may be arranged such that one or more ultrasound liquid sensors are configured to sense when a liquid is poured into the receiving portion via a change in frequency and to communicate said sensed information of liquid presence to the control circuitry, the control circuitry configured to transmit to the user via a user interface information indicative of the volume of liquid in the receiving portion based on said sensed liquid level.

**[0011]** The actively heated and cooled mug or travel mug may be arranged such that the control circuitry is configured to automatically shut off power to the heating and cooling elements when a charge level of the one or more power storage elements falls below a predetermined percentage of an amount corresponding to a full charge.

**[0012]** The actively heated and cooled mug or travel mug may be arranged such that a wireless transmitter or receiver and/or transceiver is configured to establish a communication connection with a remote electronic device or mobile electronic device.

[0013] The actively heated and cooled mug or travel mug may be arranged such that the body of the mug or travel mug is water tight and/or dishwasher safe.

[0014] The actively heated and cooled mug or travel mug may be arranged such that an orientation sensor is configured to sense an orientation of the body, the control circuitry configured to turn off power to the heating and cooling elements and disable said sensors when the body is tilted by more than a predetermined amount from an upright vertical orientation of the body, where an opening of the mug body is at a top end and a base of the body is at a bottom of the mug or travel mug.

[0015] The actively heated and cooled mug or travel mug may be arranged such that a water resistant lid is removably coupleable to a portion of the body, the water resistant lid selectively removable to allow access to at least the one or more power storage elements.

[0016] In accordance with a sixth aspect of the invention, an actively heated and cooled mug or travel mug is provided comprising a body having a receiving portion for receiving and holding a liquid, the body having a vacuum insulated chamber configured to reduce the rate in which heat energy exits the mug or travel mug. The actively heated and cooled mug or travel mug also comprises a heating and cooling system. The heating and cooling system comprises three or more heating and cooling elements electrically isolated from each other and configured to actively heat and cool at least a portion of the receiving portion of the body, one or more power storage elements, a wireless power receiver configured to wirelessly receive power from a power source, and control circuitry electrically connected to the wireless power receiver, the control circuitry configured to control charging of the one or more power storage elements and to control the delivery of electricity from the one or more power storage elements to the heating and cooling elements to maintain a temperature of the liquid generally at a predetermined drinking temperature or within a predetermined drinking temperature range, the control circuitry configured to operate the heating and cooling elements independently of each other.

[0017] The actively heated and cooled mug or travel mug may be arranged such that one or more sensors are configured to sense a parameter of the liquid and communicate said sensed information to the control circuitry. Optionally, the one or more sensors is a

liquid sensor configured to sense the presence of liquid in the receiving portion of the body, the control circuitry configured to turn on power to the heating and cooling elements in response to said sensed presence of the liquid.

5       **[0018]**     The actively heated and cooled mug or travel mug may be arranged such that a wireless transmitter or receiver and/or transceiver is configured to establish a communication connection with a remote device or mobile electronic device.

**[0019]**     The actively heated and cooled mug or travel mug may be arranged such that the body of the mug or travel mug is water tight and/or dishwasher safe.

10       **[0020]**     The actively heated and cooled mug or travel mug may be arranged such that an orientation sensor is configured to sense an orientation of the body, the control circuitry configured to turn off power to the heating and cooling elements and disable one or more sensors when the body is tilted by more than a predetermined amount from an upright vertical orientation of the body where an opening of the body is at a top end and a base of the body is at a bottom of the mug or travel mug.

15       **[0021]**     The actively heated and cooled mug or travel mug may be arranged such that the one or more power storage elements comprises a battery pack removably coupleable to the dishwasher safe body.

**[0022]**     In accordance with a seventh aspect of the invention, an actively heated or cooled cup, mug, travel mug, baby bottle, beer mug, carafe or liquid container is provided comprising a body having a receiving portion for receiving and holding a liquid and a heating or cooling system. The heating or cooling system comprises one or more heating or cooling elements configured to actively heat or cool at least a portion of the receiving portion of the body, control circuitry configured to control the operation of the one or more heating or cooling elements, and one or more liquid level sensors configured to sense a liquid level in  
20       the receiving portion and to communicate the sensed liquid level to the control circuitry. The control circuitry is configured to operate each of the one or more heating or cooling elements independently of each other based at least in part on the sensed liquid level, such that the control circuitry can turn off or turn on or reduce power to or increase power to at least one of  
25       the one or more heating or cooling elements based at least in part on the sensed liquid level.

In a further aspect, where the one or more heating or cooling elements are one or more thermoelectric elements, the control circuitry can reverse polarity to at least one of the one or more thermoelectric elements.

5           **[0023]**     The actively heated or cooled cup, mug, travel mug, baby bottle, beer mug, carafe or liquid container may be arranged such that the one or more heating or cooling elements are one or more thermoelectric elements, wherein the control circuitry is configured to operate each of the one or more thermoelectric elements independently of each other based at least in part on the sensed liquid level such that the control circuitry can turn off or turn on or reduce power to or increase power to or reverse polarity to at least one of the one or more thermoelectric elements based at least in part on the sensed liquid level.

**[0024]**     The actively heated or cooled cup, mug, travel mug, baby bottle, beer mug, carafe or liquid container may be arranged such that a wireless power receiver is configured to receive wireless power from a power source and to direct said power to at least the control circuitry or one or more heating or cooling elements.

15           **[0025]**     The actively heated or cooled cup, mug, travel mug, baby bottle, beer mug, carafe or liquid container may be arranged such that as the sensed liquid level drops below a predetermined level, the control circuitry reduces power to or turns off at least one of the one or more heating or cooling elements that is at least partially exposed above the liquid level or at least partially out of thermal contact with the liquid due to the drop in liquid level.

20           **[0026]**     The actively heated or cooled cup, mug, travel mug, baby bottle, beer mug, carafe or liquid container may be arranged such that the control circuitry operates the heating or cooling elements to induce circulation of the liquid in the receiving portion to achieve a generally uniform temperature in the volume of liquid in the receiving portion.

**[0027]**     The actively heated or cooled cup, mug, travel mug, baby bottle, beer mug, carafe or liquid container may be arranged such that as the sensed liquid level drops below a predetermined level, the control circuitry turns on power to or raises the power level to at least one of the one or more heating or cooling elements that is submerged below the liquid level or at least partially in thermal contact with the liquid.

[0028] The actively heated or cooled cup, mug, travel mug, baby bottle, beer mug, carafe or liquid container may be arranged such that one or more power storage elements is configured to at least supply power to the one or more heating or cooling elements.

5 [0029] The actively heated or cooled cup, mug, travel mug, baby bottle, beer mug, carafe or liquid container may be arranged such that a display screen is provided on a surface of the body, the display screen electrically connected to the control circuitry.

10 [0030] The actively heated or cooled cup, mug, travel mug, baby bottle, beer mug, carafe or liquid container may be arranged such that a wireless transmitter or receiver and/or transceiver is configured to establish a communication connection with a remote device or mobile electronic device, the transceiver configured to transmit operation information to the remote device or mobile electronic device as well as to receive instructions from the remote device or mobile electronic device.

15 [0031] In accordance with an eighth aspect of the invention, an actively heated or cooled cup, mug, travel mug, baby bottle, beer mug, carafe or liquid container is provided comprising a body having a receiving portion for receiving and holding a liquid and a heating or cooling system. The heating or cooling system comprises one or more heating or cooling elements configured to actively heat or cool at least a portion of the receiving portion of the body, and control circuitry configured to control the operation of the one or more heating or cooling elements. The control of or location of the one or more heating or cooling elements  
20 is configured to induce a circulation of liquid within the receiving portion of the body to maintain substantially uniform liquid temperature within the volume of liquid in the receiving portion.

25 [0032] The actively heated or cooled cup, mug, travel mug, baby bottle, beer mug, carafe or liquid container may be arranged such that the one or more heating or cooling elements are one or more thermoelectric elements, wherein the control circuitry is configured to operate each of the one or more thermoelectric elements independently of each other based at least in part on a sensed liquid level such that the control circuitry can turn off or turn on or reduce power to or increase power to or reverse polarity to at least one of the one or more thermoelectric elements based at least in part on the sensed liquid level.

[0033] The actively heated or cooled cup, mug, travel mug, baby bottle, beer mug, carafe or liquid container may be arranged such that a wireless power receiver is configured to receive wireless power from a power source and to direct said power to at least the control circuitry or one or more heating or cooling elements.

5 [0034] The actively heated or cooled cup, mug, travel mug, baby bottle, beer mug, carafe or liquid container may be arranged such that as a sensed liquid level drops below a predetermined level, the control circuitry reduces power to or turns off at least one of the one or more heating or cooling elements that is at least partially exposed above the liquid level or at least partially out of thermal contact with the liquid due to the drop in liquid level.

10 [0035] The actively heated or cooled cup, mug, travel mug, baby bottle, beer mug, carafe or liquid container may be arranged such that as the sensed liquid level drops below a predetermined level, the control circuitry turns on power to or raises the power level to at least one of the one or more heating or cooling elements that is submerged below the liquid level or at least partially in thermal contact with the liquid.

15 [0036] The actively heated or cooled cup, mug, travel mug, baby bottle, beer mug, carafe or liquid container may be arranged such that one or more power storage elements is configured to at least supply power to the one or more heating or cooling elements.

[0037] The actively heated or cooled cup, mug, travel mug, baby bottle, beer mug, carafe or liquid container may be arranged such that a display screen is provided on a surface  
20 of the body, the display screen electrically connected to the control circuitry.

[0038] The actively heated or cooled cup, mug, travel mug, baby bottle, beer mug, carafe or liquid container may be arranged such that a wireless transmitter or receiver and/or transceiver is configured to establish a communication connection with a remote device or mobile electronic device, the transceiver configured to transmit operation information to the  
25 remote device or mobile electronic device as well as to receive instructions from the remote device or mobile electronic device.

[0039] In accordance with a ninth aspect of the invention, an actively heated or cooled cup, mug, travel mug, baby bottle, beer mug, carafe or liquid container is provided comprising a body having a receiving portion for receiving and holding a liquid and a heating

or cooling system. The heating or cooling system comprises one or more heating or cooling elements configured to actively heat or cool at least a portion of the receiving portion of the body, one or more power storage elements, a wireless power receiver configured to wirelessly receiver power from a power source, control circuitry electrically connected to the wireless  
5 power receiver, the control circuitry configured to control the charging of the one or more power storage elements and to control the delivery of electricity from the one or more power storage elements to the one or more heating or cooling elements to maintain a temperature of the liquid at a predetermined drinking temperature or within a predetermined drinking temperature range, and one or more ultrasound liquid sensors configured to sense a level of  
10 the liquid in the receiving portion via a change in frequency and to communicate said sensed level information to the control circuitry. The control circuitry is configured to operate the one or more heating or cooling elements to actively heat or cool at least a portion of the receiving portion of the body to maintain the temperature of the liquid generally at a user selected or factory preset drinking temperature setting based at least in part on the sensed  
15 liquid level.

**[0040]** The actively heated or cooled cup, mug, travel mug, baby bottle, beer mug, carafe or liquid container may be arranged such that the one or more heating or cooling elements are one or more thermoelectric elements, wherein the control circuitry is configured to operate each of the one or more thermoelectric elements independently of each other based  
20 at least in part on the sensed liquid level such that the control circuitry can turn off or turn on or reduce power to or increase power to or reverse polarity to at least one of the one or more thermoelectric elements based at least in part on the sensed liquid level.

**[0041]** The actively heated or cooled cup, mug, travel mug, baby bottle, beer mug, carafe or liquid container may be arranged such that as the sensed liquid level drops below a  
25 predetermined level, the control circuitry reduces power to or turns off at least one of the one or more heating or cooling elements that is at least partially exposed above the liquid level or at least partially out of thermal contact with the liquid due to the drop in liquid level.

**[0042]** The actively heated or cooled cup, mug, travel mug, baby bottle, beer mug, carafe or liquid container may be arranged such that the control circuitry operates the heating

or cooling elements to induce circulation of the liquid in the receiving portion to achieve a generally uniform temperature in the volume of liquid in the receiving portion.

5 [0043] The actively heated or cooled cup, mug, travel mug, baby bottle, beer mug, carafe or liquid container may be arranged such that as the sensed liquid level drops below a predetermined level, the control circuitry turns on power to or raises the power level to at least one of the one or more heating or cooling elements that is submerged below the liquid level or at least partially in thermal contact with the liquid.

10 [0044] The actively heated or cooled cup, mug, travel mug, baby bottle, beer mug, carafe or liquid container may be arranged such that a display screen is provided on a surface of the body, the display screen electrically connected to the control circuitry.

15 [0045] The actively heated or cooled cup, mug, travel mug, baby bottle, beer mug, carafe or liquid container may be arranged such that a wireless transmitter or receiver and/or transceiver configured to establish a communication connection with a remote device or mobile electronic device, the transceiver configured to transmit operation information to the remote device or mobile electronic device as well as to receive instructions from the remote device or mobile electronic device.

20 [0046] In accordance with a tenth aspect of the invention, an actively heated or cooled cup, mug, travel mug, baby bottle, beer mug, carafe or liquid container is provided comprising a body having a receiving portion for receiving and holding a liquid and a heating or cooling system. The heating or cooling system comprises one or more heating or cooling elements configured to actively heat or cool at least a portion of the receiving portion of the body, one or more power storage elements, and control circuitry configured to control the charging of the one or more power storage elements and to control the delivery of electricity from the one or more power storage elements to the one or more heating or cooling elements  
25 to maintain a temperature of the liquid at a predetermined drinking temperature or within a predetermined drinking temperature range. A wireless transmitter or receiver and/or transceiver is configured to establish a communication connection with a remote device or mobile electronic device, the transceiver configured to transmit operation information to the remote device or mobile electronic device as well as to receive instructions from the remote

device or mobile electronic device. A display screen is on a surface of the body, the display screen being electrically connected to the control circuitry.

5           **[0047]**     The actively heated or cooled cup, mug, travel mug, baby bottle, beer mug, carafe or liquid container may be arranged such that the one or more heating or cooling elements are one or more thermoelectric elements, wherein the control circuitry is configured to operate each of the one or more thermoelectric elements independently of each other based at least in part on a sensed liquid level such that the control circuitry can turn off or turn on or reduce power to or increase power to or reverse polarity to at least one of the one or more thermoelectric elements based at least in part on the sensed liquid level.

10           **[0048]**     The actively heated or cooled cup, mug, travel mug, baby bottle, beer mug, carafe or liquid container may be arranged such that a wireless power receiver is configured to receive wireless power from a power source and to direct said power to at least the control circuitry or one or more heating or cooling elements.

15           **[0049]**     The actively heated or cooled cup, mug, travel mug, baby bottle, beer mug, carafe or liquid container may be arranged such that as a sensed liquid level drops below a predetermined level, the control circuitry reduces power to or turns off at least one of the one or more heating or cooling elements that is at least partially exposed above the liquid level or at least partially out of thermal contact with the liquid due to the drop in liquid level.

20           **[0050]**     The actively heated or cooled cup, mug, travel mug, baby bottle, beer mug, carafe or liquid container may be arranged such that the control circuitry operates the heating or cooling elements to induce circulation of the liquid in the receiving portion to achieve a generally uniform temperature in the volume of liquid in the receiving portion.

25           **[0051]**     The actively heated or cooled cup, mug, travel mug, baby bottle, beer mug, carafe or liquid container may be arranged such that as the sensed liquid level drops below a predetermined level, the control circuitry turns on power to or raises the power level to at least one of the one or more heating or cooling elements that is submerged below the liquid level or at least partially in thermal contact with the liquid.

[0051a] In one embodiment, there is provided an actively heated or cooled dishware or serverware device, comprising a body having a receiving portion configured to hold food and a heating or cooling system. The heating or cooling system comprises a heating or cooling element configured to heat or cool the receiving portion of the body, wherein the heating or cooling element is operable to actively heat or cool at least a portion of the body to maintain the food in a heated or cooled state. The heating or cooling system further comprises control circuitry and one or more energy storage devices electrically connected to the heating or cooling element through the control circuitry, the control circuitry configured to manage the power delivered to the heating or cooling element. The heating or cooling system further comprises a wireless power receiver configured to wirelessly receive power from a power source, the wireless power receiver being in communication with the one or more energy storage devices and configured to charge the one or more energy storage devices. The heating or cooling system further comprises a sensor that senses the orientation of the dishware or serverware device and communicates the sensed orientation to the control circuitry, and the control circuitry is configured to control the operation of the dishware or serverware device based on the sensed orientation.

[0051a] The control circuitry may be configured to discontinue power to the heating or cooling element based on the sensed orientation.

[0051b] The control circuitry may be configured to discontinue power to the heating or cooling element when the sensor senses that the dishware or serverware device has been turned upside down.

[0051c] The heating or cooling system may be housed in the body.

[0051d] The dishware or serverware device may further include a repeater circuit that is configured to take power received by the wireless power receiver and then energize a wireless power transmitter to transmit power wirelessly to another dishware or serverware device stacked on top of the body.

[0051e] In another embodiment, there is provided a system including the dishware or serverware device described above or any variant thereof and a charging base. The charging base is configured to contact at least a portion of the body, and the charging base is configured to wirelessly transmit power to the heating or cooling element via inductive coupling.

[0051f] The charging base may be part of a charging stand including a plurality of charging bases. Each of the plurality of charging bases is attached to a wall of the charging stand by a connecting support. Each of the plurality of charging bases includes a wireless power transmitter configured to transmit power to the wireless power receiver of the dishware or serverware device when the dishware or serverware device is placed on that charging base.

## BRIEF DESCRIPTION OF THE DRAWINGS

[0052] FIG. 1 is a schematic cross-sectional side view of one embodiment of a heated or cooled plate.

5 [0053] FIG. 2 is a schematic exploded view of the heated or cooled plate of FIG. 1.

[0054] FIG. 3 is a schematic cross-sectional side view of the heated or cooled plate of FIG. 1 and a charging base for the plate.

[0055] FIG. 3A is a schematic perspective bottom view of another embodiment of a heated or cooled plate that is similar to the plate of FIG. 1.

10 [0056] FIG. 3B is a schematic perspective top view of the heated or cooled plate of FIG. 3A and a charging base for the plate.

[0057] FIG. 4 is a schematic perspective view of a charging stand for storing multiple heated or cooled plates, and a plurality of heated or cooled plates stored on the stand.

[0058] FIG. 5 is a schematic perspective view of the charging stand of FIG. 4.

15 [0059] FIG. 6 is a schematic perspective top view of another embodiment of a heated or cooled plate.

[0060] FIG. 7 is a schematic cross-sectional view of another embodiment of a heated or cooled plate.

20 [0061] FIG. 8 is a schematic cross-sectional side view of one embodiment of a heated or cooled mug and its charging base.

[0062] FIG. 9 is a schematic exploded view of the heated or cooled mug in FIG. 8

[0063] FIG. 9A is a schematic exploded view of another embodiment of a heated or cooled mug.

25 [0064] FIG. 10 is a schematic perspective cross-sectional view of one embodiment of a heated or cooled travel mug.

[0065] FIG. 11 is a schematic perspective exploded view of the heated or cooled travel mug of FIG. 10.

[0066] FIG. 12 is a schematic perspective view of the heated or cooled travel mug of FIG. 10 and its associated charging base.

[0067] FIG. 13 is a schematic perspective cross-sectional view of another embodiment of a heated or cooled travel mug.

[0068] FIG. 14 is a schematic perspective cross-sectional view of another embodiment of a heated or cooled travel mug.

5 [0069] FIG. 15 is a schematic perspective view of the heated or cooled travel mug of FIG. 14.

[0070] FIG. 16 is a schematic perspective view of another embodiment of a heated or cooled plate, bowl or serving dish.

10 [0071] FIG. 17 is a schematic perspective view of another embodiment of a heated or cooled plate, bowl or serving dish.

[0072] FIG. 18 is a schematic perspective view of another embodiment of a heated or cooled plate, bowl or serving dish.

15 [0073] FIG. 19 is a schematic perspective view of one embodiment of a wand for use with a heated or cooled plate, bowl, serving dish, mug, cup, travel mug or liquid container.

[0074] FIG. 20 is a schematic perspective view of another embodiment of a heated or cooled plate, bowl or serving dish.

[0075] FIG. 21 is a schematic perspective view of one embodiment of a charging station for use with one or more plates, bowls or serving dishes.

20 [0076] FIG. 22 is a schematic front view of the charging station in FIG. 21.

[0077] FIG. 23 is a schematic perspective view of the charging station of FIG. 21 holding a plurality of plates, bowls or serving dishes.

[0078] FIG. 24 is a schematic perspective view of the charging station of FIG. 23 with one of the plates, bowls or serving dishes shown dismounted from the charging station.

25 [0079] FIG. 25 is a schematic exploded view of one embodiment of a heated or cooled plate.

[0080] FIG. 26 is a schematic cross-sectional assembled view of the heated or cooled plate of FIG. 25.

[0081] FIG. 27 is a schematic perspective exploded view of another embodiment of a heated or cooled plate, bowl or serving dish.

[0082] FIG. 28 is a schematic bottom perspective exploded view of the heated or cooled plate, bowl or serving dish of FIG. 27.

5 [0083] FIG. 29 is a schematic perspective exploded view of another embodiment of a heated or cooled plate, bowl or serving dish.

[0084] FIG. 30 is a schematic bottom perspective exploded view of the heated or cooled plate, bowl or serving dish of FIG. 29.

10 [0085] FIG. 31 is a schematic exploded view of one embodiment of a heated or cooled baby bottle liquid container.

[0086] FIG. 32 is a schematic cross-sectional assembled view of the heated or cooled baby bottle of FIG. 31.

[0087] FIG. 33 is a box diagram of one method of operating a heated or cooled plate, bowl, serving dish, mug, cup, travel mug or liquid container.

15 [0088] FIG. 34A is a schematic diagram showing counterclockwise circulation of liquid flow induced by a heating or cooling system in a cup, mug, travel mug or liquid container.

[0089] FIG. 34B is a schematic diagram showing clockwise circulation of liquid flow induced by a heating or cooling system in a cup, mug, travel mug or liquid container.

20 [0090] FIG. 34C is a schematic diagram showing counterclockwise circulation of liquid flow induced by a heating or cooling system in a cup, mug, travel mug or liquid container, where operation (e.g., turning off, on) of one or more heating and cooling elements depends at least in part on sensed liquid level.

25 [0091] FIG. 34D is a schematic cross-sectional view of one embodiment of a chilled drinkware unit, such as a beer mug.

[0092] FIG. 35 is a schematic view of a user interface on a travel mug depicting weather information.

[0093] FIG. 36 is a schematic view of a user interface on a travel mug depicting the temperature of the liquid in the travel mug.

[0094] FIG. 37 is a schematic view showing communication between a travel mug and an electronic device (e.g., mobile phone).

[0095] FIG. 38A shows one embodiment of a wireless energy transmitter in a table, counter, or bar for transmitting power to a travel mug placed thereon.

5 [0096] FIG. 38B shows one embodiment of a wireless energy transmitter in a table, counter, or bar for transmitting power to a mug placed thereon.

[0097] FIG. 38C shows one embodiment of a wireless energy transmitter in a table, counter, or bar for transmitting power to a bowl placed thereon.

10 [0098] FIG. 38D shows one embodiment of a wireless energy transmitter in a table, counter, or bar for transmitting power to a plate placed thereon.

[0099] FIG. 38E shows one embodiment of a wireless energy transmitter in a table, counter, or bar for transmitting power to a beer mug placed thereon.

[0100] FIG. 38F shows one embodiment of a wireless energy transmitter in a table, counter, or bar for transmitting power to a baby bottle placed thereon.

15 [0101] FIG. 39 is a schematic cross-sectional view of one embodiment of a double walled travel mug.

[0102] FIG. 40 is a schematic cross-sectional view of another embodiment of a double-walled travel mug.

[0103] FIG. 41 is a schematic view of an actively heated bread basket.

20 [0104] FIG. 42 is a schematic view of an actively heated tortilla warmer.

[0105] FIG. 43 is a schematic view of a mug (e.g., travel mug) with an electric hand warmer.

25 [0106] FIG. 44 is a schematic block diagram showing communication between an electronic module in actively heated/cooled drinkware, dishware, or serverware and a user interface thereon and/or on a remote electronic device.

## DETAILED DESCRIPTION

[0107] FIGS. 1-3 show one embodiment of heated or cooled dishware or serverware. In particular, FIGS. 1-3 show one embodiment of a heated or cooled plate 100, bowl or serving dish. In the illustrated embodiment, the plate 100, bowl or serving dish has a circumferential wall 10 with a side surface 30a and a base 20 having a top surface 20a, where the side surface 30a and top surface 20a define a recess 30 that can hold food (e.g., receiving portion of the plate that holds food). In another embodiment, the plate 100, bowl or serving dish can be flat with a generally flat top surface (e.g., where the food receiving portion is not recessed). The wall 10 extends from a top edge 12 to a bottom edge 14. A bottom portion 40 of the plate 100, bowl or serving dish defines a bottom surface 42 of the plate 100, bowl or serving dish, which is recessed relative to the edge 14. A bottom section 19 defines a recess 16 of the plate 100, bowl or serving dish, such that the edge 14, not the bottom surface 42, contacts a table or counter surface when the plate 100, bowl or serving dish is placed on the table or counter surface. In another embodiment, the bottom surface 42 can be flush with the bottom edge 14, not recessed relative to the edge 14. In still another embodiment, the bottom surface 42 can protrude from the bottom of the plate 100, bowl or serving dish relative to the edge 14. The plate 100, bowl or serving dish can look (e.g., be sized and shaped) like a conventional plate and fit within standard dishwasher racks.

[0108] With continued reference to FIG. 1, the bottom portion 40 attaches to the wall 10 so that a cavity 50 is defined between the bottom portion 40 and the base 20, where the cavity 50 is sized to house several components, as described below. As shown in FIG. 2, the plate 100, bowl or serving dish can include a heating or cooling system 55, which can include a heating or cooling element 60, an insulative member 70, one or more electrical energy storage devices 80 electrically connected to the heating or cooling element 60, and an electronic module 90. The heating or cooling element 60, insulative member 70, electrical energy storage devices 80 and electronic module 90 can be disposed (e.g., embedded) in a bottom section of the plate 100, bowl or serving dish. In another embodiment, the heating or cooling system 55 can be housed in a module that is removably attachable to the plate 100, bowl or serving dish. In this embodiment, the heating or cooling element 60 and insulating

member **70** can be a part of the removable module or can be disposed in the plate, and not part of the removable module.

**[0109]** In one embodiment, the heating or cooling element **60** can be heater wire or heating wire that is disposed adjacent a bottom surface **20b** of the base **20** (e.g., adhered or otherwise secured to the bottom surface **20b**), where the heater wire can heat up and transfer heat to the top surface **20a** of the base **20** via conduction through the base **20** (e.g., to raise the temperature of the base **20** above ambient temperature to maintain food on the plate **100**, bowl or serving dish warm, such as at a desired temperature or within a desired temperature range). In one embodiment, the heating or cooling system **55** can include a drive transistor to accommodate heavy switching current flowing from the electrical energy storage element **80** to one or more low resistance heating or cooling element **60**. The insulative member **70** can be plate-like and disposed proximate the heating or cooling element **60** so that the heating or cooling element **60** is interposed between the insulative member **70** and the base **20**. In one embodiment, the insulative member **70** can be a ceramic plate. However, in other embodiments, the insulative member **70** can be made of other suitable materials that are thermally insulative. In still other embodiments, the insulative member **70** can be excluded.

**[0110]** With continued reference to FIG. **2**, the one or more energy storage devices **80** can in one embodiment be batteries, such as rechargeable batteries. For example, the one or more energy storage devices **80** can be lithium-ion (Li-ion) batteries or lithium polymer (Li-poly) batteries. However, in other embodiments where the energy storage devices **80** are batteries, the batteries can be other suitable types (e.g., lead acid, nickel cadmium, nickel metal hydride). In one embodiment, the battery can be provided in combination with a step-up transformer to provide the required voltage. In another embodiment, the one or more energy storage devices **80** can be capacitors. The one or more energy storage devices **80** can be electrically connected to the heating or cooling element **60** and configured to supply power to the heating or cooling element **60** to heat or cool at least a portion of the plate **100**, bowl or serving dish.

**[0111]** The electronic module **90** can be attached to a top surface **44** of the bottom portion **40** and electrically connected to the one or more energy storage devices **80**. In one

embodiment, the electronic module **90** can include one or more of a wireless power receiver **92**, control circuitry **94** (e.g., controller circuit, microcontroller, etc.) and a charger **96** (e.g., charging circuit) for charging the one or more energy storage devices **80**. In other embodiments, the electronic module **90** can have different or additional electronics. The  
5 electronic module **90** can include a microcontroller unit (MCU) with capacitive sensing and graphic control features. In one embodiment, the wireless power receiver **92** is electrically connected to the battery charger **96**, which is connected to the one or more energy storage devices **80** that are then electrically connected to the heating or cooling element **60** through a controller circuit **94**. The control circuitry can also be used to manage the charging of the one  
10 or more energy storage devices **80**. In another embodiment, where the energy storage devices **80** are excluded (as discussed further below), the wireless power receiver **92** can be electrically connected directly to the heating or cooling element **60**. The control circuitry **94** can operate to manage the power delivered to the heating or cooling element **60**.

[0112] In one embodiment, the bottom portion **40** can be removably attached to  
15 the plate **100**, bowl or serving dish to allow access to the heating or cooling system **55** in the cavity **50**. For example, the bottom portion **40** can be mechanically coupled to the plate **100**, bowl or serving dish (e.g., with screws, a threaded interface between the bottom portion **40** and the plate **100**, bowl or serving dish, a press-fit connection, etc.). The bottom portion **40** can be removed to allow the replacing of the one or more energy storage devices **80** and the  
20 servicing of the heating or cooling system **55**. In one embodiment, the bottom portion **40** can be a water resistant lid that can be removably attachable (e.g., threaded on or screwed) to the plate **100**, bowl or serving dish for accessing the heating or cooling system **55**. In another embodiment, the bottom portion **40** can be a water resistant lid that can be removably attachable (e.g., threaded on or screwed) to the plate **100**, bowl or serving dish for accessing  
25 the one or more energy storage devices **80**. In yet another embodiment, the energy storage devices **80** can be in a pack that is attached (e.g., threaded, snap fit, screwed down) onto the bottom of the plate **100**, bowl or serving dish, where the pack's electrical contacts connect with a set of electrical contacts on the bottom of the plate **100**, bowl or serving dish, as shown for example in FIGS **27-28** and described below. In still another embodiment, the one or

more energy storage devices **80** can be sealed in the body of the plate **100** and not be removable (e.g., the heating or cooling system **55** and electronics of the plate **100** can be sealed in the plate so as to not be removable). This configuration (e.g., sealed energy storage elements **80** that are not removable) can also be incorporated into any other drinkware, dishware or serverware devices, such as the plate **100'**, **800**, **800'**, **1100**, **1300**, **1400**, mug **400** and travel mug **600**, cup, baby bottle **1500** or liquid container discussed below.

[0113] With continued reference to FIG. 3, a charging base **200** can have a protruding or raised section **220** with a top surface **222** and a bottom surface **224**. A wireless power transmitter **240** can be attached to the bottom surface **224**. The protruding section **220** is preferably shaped and sized to at least partially fit into the recess **16** in the plate **100**, bowl or serving dish, such that the top surface **222** is adjacent the bottom surface **42** of the bottom portion **40**. Advantageously, the protruding section **220** fits at least partially into the recess **16** so as to generally align the electronic module **90** over the wireless power transmitter **240** to facilitate wireless power transmission between the wireless power transmitter **240** and the wireless power receiver **92**. In another embodiment, the plate **100**, bowl or serving dish can have a protruding portion and the charging base **200** a recessed portion, where the protruding portion fits at least partially within the recessed portion when the plate **100**, bowl or serving dish is coupled to the charging base **200**. The wireless power transmitter **220** can be electrically connected to a power source (not shown), such as a wall outlet, via a power cord (not shown).

[0114] In one embodiment, the wireless power transmitter **240** can be an induction coil and the wireless power receiver **92** can also be an induction coil. Therefore, in one embodiment, the charging base **200** can wirelessly transmit power from the power transmitter **240** to the wireless power receiver **92** via induction coupling. However, transmission of power from the wireless power transmitter **240** to the wireless power receiver **92** is not limited to inductive coupling. In other embodiments, other forms of short-distance wireless energy transfer can be used (e.g., microwave energy). In still other embodiments, further discussed below, long-distance wireless energy transfer can be used to transmit power to the wireless power receiver **92**, without the use of a charging base.

[0115] In one embodiment, the heating or cooling system 55 is advantageously embedded or housed in the body of the plate 100, bowl or serving dish so that no portion of the heating or cooling system 55 is exposed or can be contacted by a user while holding the plate 100, bowl or serving dish. Therefore, the plate 100, bowl or serving dish can advantageously be exposed to water or other liquids, e.g., in a sink or in a dishwasher, without exposing the heating or cooling system 55 to said water or liquids, thereby inhibiting damage to the heating or cooling system 55. Additionally, by having all components embedded or housed in the body of the plate 100, bowl or serving dish, the plate 100, bowl or serving dish can be aesthetically pleasing as it looks like a conventional plate.

[0116] FIGS. 3A-3B shows another embodiment of a heated or cooled plate 100'', bowl or serving dish. The heated or cooled plate 100'', bowl or serving dish is similar to the heated or cooled plate 100, bowl or serving dish and includes the same components and features disclosed for the heated or cooled plate 100, except as noted below. Thus, the reference numerals used to designate the various components of the heated or cooled plate 100'', bowl or serving dish are identical to those used for identifying the corresponding components of the heated or cooled plate 100, bowl or serving dish in FIGS. 1-3, except that a '' has been added to the reference numerals.

[0117] In another embodiment, shown in FIGS 3A and 3B, the plate 100'', bowl or serving dish can include one or more corrosion resistant electrical contacts 46'' on an outer surface of the plate 100'', bowl or serving dish, such as the bottom surface 42'' of the bottom portion 40'' of the plate 100'', bowl or serving dish, where the electrical contacts are sized and shaped to contact corresponding electrical contacts 246'' on the charging base 200'' (e.g., on the top surface 222'' of the protruding section 220'' of the charging base 200''), when the plate 100'', bowl or serving dish is placed on the charging base 200'' so that power is transmitted from the charging base 200'' to the energy storage devices 80'', heating or cooling element 60'' and/or electronic module 90'' in the plate 100'', bowl or serving dish through the electrical contacts 46'', 246''. In one embodiment, the electrical contacts of the plate 100'', bowl or serving dish can protrude from a surface of the plate 100'', bowl or serving dish, such as electrical posts. In another embodiment, shown in FIG.

3A, the electrical contacts 46''' of the plate 100'', bowl or serving dish can be one or more contact pads on the bottom surface 42''' of the bottom portion 40''' of the plate 100'', bowl or serving dish, which can contact corresponding contacts, such as the pin contacts 246''' on the top surface 222''' of the charging base 200'''. However, the electrical contacts on the plate 100'', bowl or serving dish and charging base 200''' can have other suitable configurations. As shown in FIGS. 3A and 3B, the plate 100''' can have a slot 48''' on bottom surface of the plate 100'', bowl or serving dish (e.g., formed on the bottom surface 42''' of the bottom portion 40''' of the plate 100'', bowl or serving dish) that is sized and shaped to receive a pin or key 248''' on the charging base 200'''. The slot 48''' and pin or key 248''' provide a "clocking" aspect of the plate 100'', bowl or serving dish that allows the electrical contacts 46''' of the plate 100'', bowl or serving dish to readily align with the electrical contacts 246''' of the charging base 200'''. However, in another embodiment, the slot can be formed on the charging base 200''' and the pin or key can be formed on the bottom of the plate 100'', bowl or serving dish. This configuration of electrical contacts and slot/key arrangement can also be incorporated into any other drinkware, dishware or serverware devices, such as the plate 800, 800', 1100, 1300, 1400, mug 400 and travel mug 600, cup, baby bottle 1500 or liquid container discussed below.

[0118] In another embodiment, the heating or cooling system 55 can be housed in a non-water proof module that can be removably attached to the plate 100, bowl or serving dish (e.g., threadably coupled to the plate 100, or coupled via a pin/slot assembly where the module twists into the bottom of a plate 100) to heat or cool the plate 100. In this embodiment, when the plate 100, bowl or serving dish is to be washed, the heating or cooling module can be decoupled from the plate 100, bowl or serving dish before the plate 100, bowl or serving dish is washed (e.g., placed in the dish washing machine). The heating or cooling module can then be placed on a corresponding charging station for use at a later time when it can again be coupled to a plate 100, bowl or serving dish to heat or cool food on the plate 100. The embodiment described above can apply to other forms of dishware (e.g., mug, cup, serving dish).

[0119] In another embodiment, the charging base **200** can be excluded and power can be transmitted to the wireless power receiver **92** via a remote power transmitter using long-distance wireless energy transmission, as further discussed below. In this embodiment, where the heated or cooled plate **100**, bowl or serving dish also does not have energy storage devices, such as the energy storage devices **80**, the heating or cooling element **60** is electrically connected to the wireless power receiver **92** via the control circuit **94**, which is operable to control the amount of power that is provided to the heating or cooling element **60**. During operation, if the plate **100**, bowl or serving dish is out of range of the wireless power transmission, the heating or cooling element **60** will lose power and shut off. For example, in this embodiment if the plate **100**, bowl or serving dish is not on a charging base, such as the charging base **200**, or out of the range of power transmission from a remote wireless power transmitter, the heating or cooling element **60** in the plate **100**, bowl or serving dish will lose power and shut off.

[0120] FIGS. 4 and 5 show one embodiment of a charging stand **300** that can be stored in a cabinet, such as a kitchen cabinet, or on a countertop or in a pantry. The charging stand **300** can have a plurality of charging bases **220'**, each of which is attached to a rear wall **320** of the charging stand **300** by a connecting support **230'**. The charging stand **300** can also have a pair of arms **310** on either side of the charging base **220'**, each arm **310** having a surface **312** that can contact at least a portion of the wall **10** of the plate **100**, bowl or serving dish and helps support the plate **100**, bowl or serving dish on the charging base **220'**. Each of the charging bases **220'** can have a wireless power transmitter, such as the wireless power transmitter **240**, disposed therein, which can transmit power to a wireless power receiver in the heated or cooled plate **100**, bowl or serving dish that is placed on the charging base **220'**. The charging stand **300** can have a power cord (not shown) to connect the stand to, for example, a wall outlet, in order to electrically connect the wireless power transmitters in the charging bases **220'** with the power source.

[0121] In another embodiment, the charging stand **300** can be excluded, and the plates **100** can be stacked on top of each other, with a single charging base at the bottom of the stack (e.g., the charging base **200** in FIG.3) In this embodiment, the electronic module **90**

in each plate **100**, bowl or serving dish can include a repeater circuit that takes the power coming in from the wireless power receiver **92** (inside the plate **100**) and then energizes a wireless power transmitter (not shown) which would be mounted just underneath bottom surface **20b** inside the same plate **100**. In this embodiment, when another plate is stacked on top of this plate **100**, the top plate can receive power from the wireless power transmitter which is located in the plate **100**, bowl or serving dish directly beneath it. In this manner, when a number of plates were stacked on top of each other, each plate would wirelessly receive power from the plate beneath it, and transmit power to the plate above it. In one embodiment, the energy storage devices are excluded from the plate **100**, bowl or serving dish (or mug **400** or travel mug **600**, cup or liquid container discussed below), so the wireless power receiver can be electrically connected to the heating or cooling element. This allows a stack of plates **100** to be positioned on one stand.

**[0122]** FIG. **6** shows another embodiment of a heated or cooled plate **100'**. The heated or cooled plate **100'**, bowl or serving dish is similar to the heated or cooled plate **100**, bowl or serving dish and includes the same components and features disclosed for the heated or cooled plate **100**, except as noted below. Thus, the reference numerals used to designate the various components of the heated or cooled plate **100'**, bowl or serving dish are identical to those used for identifying the corresponding components of the heated or cooled plate **100**, bowl or serving dish in FIGS. **1-3**, except that a "'" has been added to the reference numerals.

**[0123]** In the illustrated embodiment, the heated or cooled plate **100'**, bowl or serving dish has a heating or cooling element **60'** that includes a trace pattern that is traced or laid onto at least a portion of the top surface **20a'** of the base **20'** of the plate **100'**. For example, the trace pattern can be screen printed onto the top surface **20a'** and have a connecting portion (not shown) that electrically connects the heating or cooling element **60'** to the energy storage devices **80'**, wireless power receiver **92'**, and/or control circuitry **94'**. This configuration of a heating or cooling element can also be incorporated into any other drinkware, dishware or serverware devices, such as the plate **800**, **800'**, **1100**, **1300**, **1400**, mug **400** and travel mug **600**, cup, baby bottle **1500** or liquid container discussed below.

[0124] FIG. 7 shows another embodiment of a heated or cooled plate **100''**. The heated or cooled plate **100''**, bowl or serving dish is similar to the heated or cooled plate **100**, bowl or serving dish and includes the same components and features disclosed for the heated or cooled plate **100**, except as noted below. Thus, the reference numerals used to designate the various components of the heated plate **100''**, bowl or serving dish are identical to those used for identifying the corresponding components of the heated plate **100**, bowl or serving dish in FIGS. 1-3, except that a “''” has been added to the reference numerals.

[0125] In the illustrated embodiment, the cavity **50''** in the heated or cooled plate **100''**, bowl or serving dish can be subdivided by the insulative member **70** into a first cavity **50a** between the bottom portion **40** and the insulative member **70** and a second cavity **50b** between the insulative member **70** and the base **20**. The energy storage devices **80** and electronic module **90** are disposed in the first cavity **50a**. The insulative member **70** is positioned against a ledge **10a** defined between the bottom portion **40** and the base **20** so that the insulative member **70** is spaced from the heating or cooling element **60**, thereby defining the second cavity **50b**. In the illustrated embodiment, the second cavity **50b** is under a vacuum, which advantageously further thermally insulates the energy storage devices **80** and electronic module **90** from the heating or cooling element **60**. Additionally, having the second cavity **50b** under a vacuum advantageously allows the top surface **20a** of the base **20** to maintain its temperature for a longer period of time, as the vacuum in the second cavity **50b** inhibits heat transfer through the bottom of the plate **100''**. In the illustrated embodiment, the heating or cooling element **60** can be electrically connected to the one or more energy storage devices **80** via a connector (not shown) that extends between the first and second cavities **50a**, **50b** (e.g., a trace line printed on the side wall of the first and second cavities **50a**, **50b**). This vacuum configuration can also be incorporated into any other drinkware, dishware or serverware devices, such as the plate **800**, **800'**, **1100**, **1300**, **1400**, mug **400** and travel mug **600**, cup, baby bottle **1500** or liquid container discussed below.

[0126] FIGS. 8-9 illustrate a heated or cooled mug **400**, cup or liquid container with a circumferential wall **412** having a side surface **412a**, a handle **414** and a base **420** having a top surface **420a**, where the side surface **412a** and top surface **420a** define a cavity

418 that can hold a liquid or solid (e.g., coffee, soup, ice cream). The heated or cooled mug 400, cup or liquid container can have a bottom portion 419 that defines a recess 450 between a bottom edge 416a and the base 420. A bottom member (e.g., plate) 440 can be positioned against a ledge 419a of the bottom portion 419, so as to define a cavity 450a between the  
5 bottom member 440 and the base 420. In the illustrated embodiment, a heating or cooling system 455 can be disposed (e.g., embedded) in the cavity 450a. The heating or cooling system 455 can include a heating or cooling element 460, an insulative member 470, one or more energy storage devices 480 and an electronic module 490, and these components can be arranged and connected in the same manner described above in connection with the heated or  
10 cooled plate 100. In another embodiment, the insulative member 470 can be excluded.

[0127] The heating or cooling element 460 can be disposed adjacent a bottom surface 420b of the base 420 so as to conduct heat through the base 420 to a top surface 420a of the base 420. In one embodiment, the heating or cooling element 460 can also be disposed within the wall 412 and behind a side surface 412 of the mug 400, cup or liquid container. In  
15 one embodiment, the heating or cooling element 460 can be a heater wire or heating wire. In another embodiment, the heating or cooling element 460 can be a resistive heater. However, in other embodiments, the heating or cooling element 460 can include other suitable mechanisms. In one embodiment, the heating or cooling system 455 can include a drive transistor to accommodate heavy switching current flowing from the electrical energy storage  
20 element 480 to one or more low resistance heating or cooling element 460.

[0128] The electronic module 490 can be attached to a top surface 444 of the bottom member 440 and include one or more of a wireless power receiver 492, control circuitry 494 (e.g., controller circuit, microcontroller, etc.) and a charger 496 (e.g., charging circuit) for charging the one or more energy storage devices 480. The electronic module 490  
25 can include a MCU with capacitive sensing and graphic control features. The control circuitry 494 can operate to manage the power delivered to the heating or cooling element 460. The control circuitry 494 can also be used to manage the charging of the one or more energy storage devices 480. In one embodiment, the wireless power receiver 492 is electrically connected to the battery charger 496, which is electrically connected to the energy

storage devices **480** that in turn are electrically connected to the heating or cooling element **460**. In another embodiment, where energy storage devices are excluded (as discussed further below), the wireless power receiver **492** can be electrically connected to the heating or cooling element **460**. In one embodiment, the heating or cooling system **455** is completely disposed in the bottom portion **419** so that no part of the system **455** is visible (i.e., the mug **400** looks like a conventional mug). In another embodiment, the heating or cooling system **455** can be housed in a module that is removably attachable to the mug **400**.

[0129] With continued reference to FIGS. 8-9, the bottom portion **440** can be axially spaced from the bottom edge **416a** so as to define a recess **416** at the bottom of the mug **400**, cup or liquid container. A charging base **500** for the heated or cooled mug **400**, cup or liquid container can include a raised portion **520** with a top surface **522**, where the raised portion **520** is sized and shaped to fit at least partially within the recess **416** when the mug **400**, cup or liquid container is placed on the charging base **500**, so that a bottom surface **442** of the bottom member **440** is adjacent the top surface **522** of the raised portion **520**. The charging base can include a wireless power transmitter **540** attached to a bottom surface **524** of the raised portion **520**, where the wireless power transmitter **540** is arranged on the bottom surface **524** so as to generally align with the electronic module **490** when the mug **400**, cup or liquid container is positioned on the charging base **500** to facilitate wireless power transmission between the wireless power transmitter **540** and the wireless power receiver **492** (e.g., via short distance wireless energy transfer, such as inductive coupling, as discussed above). In another embodiment, the mug **400**, cup or liquid container can have a protruding portion at its bottom and the charging base **500** can have a corresponding recessed portion, where the protruding portion fits within the recessed portion when the mug **400**, cup or liquid container is coupled to the charging base **500**. The wireless power transmitter **540** can be electrically connected to a power source (not shown), such as a wall outlet, via a power cord (not shown).

[0130] In one embodiment, the bottom member **440** can be removably attached to the mug **400**, cup or liquid container to allow access to the heating or cooling system **455** in the cavity **450a**. For example, the bottom member **440** can be mechanically coupled to the

mug **400**, cup or liquid container (e.g., with screws, a threaded interface between the bottom member **440** and mug **400**, a press-fit connection). The bottom member **440** can be removed to allow the replacing of the one or more energy storage devices **480** and the servicing of the heating or cooling system **455**. In one embodiment, the bottom member **440** can be a water resistant lid that can be removably attachable (e.g., threaded on or screwed) to the mug **400**, cup or liquid container for accessing the heating or cooling system **455**. In another embodiment, the bottom member **440** can be a water resistant lid that can be removably attachable (e.g., threaded on or screwed) to the mug **400**, cup or liquid container for accessing the one or more energy storage devices **480**. In yet another embodiment, the energy storage devices **480** can be in a pack that is attached (e.g., threaded, snap fit, screwed down) onto the bottom of the mug **400**, where the pack's electrical contacts connect with a set of electrical contacts on the bottom of the mug **400**.

[0131] In another embodiment, the charging base **500** can be excluded and power can be transmitted to the wireless power receiver **492** via a remote power transmitter using long-distance wireless energy transmission, as further discussed below. In this embodiment, where the heated or cooled mug **400**, cup or liquid container also does not have energy storage devices, such as the energy storage devices **480**, the heating or cooling element **460** is electrically connected to the wireless power receiver **492** via the control circuit **494**, which is operable to control the amount of power that is provided to the heating or cooling element **460**. During operation, if the mug **400**, cup or liquid container is out of range of the wireless power transmission, the heating or cooling element **460** will lose power and shut off. For example, in this embodiment if the mug **400**, cup or liquid container is not on a charging base, such as the charging base **500**, or out of the range of power transmission from a remote wireless power transmitter, the heating or cooling element **460** in the mug **400**, cup or liquid container will lose power and shut off.

[0132] The one or more energy storage devices **480** can advantageously supply power to the heating or cooling element **460** for a prolonged period of time before its power charge diminishes, thereby advantageously maintaining the contents of the mug **400**, cup or liquid container (e.g., soup, coffee, ice cream) hot or cold, for a prolonged period of time. In

one embodiment, the energy storage devices **480** can power the heating or cooling element **460** for at least **15** minutes. In another embodiment, the energy storage devices **480** can power the heating or cooling element **460** for between about **30** minutes and about **60** minutes. However, in another embodiment, the energy storage devices **480** can power the heating or cooling element **460** for greater than **60** minutes. In another embodiment, the power level, or desired temperature, can be selected by the user (e.g., via a switch) which will extend or shorten the duration of time that the heating or cooling element **460** will run for, as further discussed below.

**[0133]** As discussed above, in one embodiment, the heating or cooling system **455** is advantageously embedded in the body of the mug **400**, cup or liquid container (e.g., embedded in the bottom portion **419** of the mug **400**) so that no portion of the heating or cooling system **455** is exposed or can be contacted by a user while holding the mug **400**, cup or liquid container. Therefore, the mug **400**, cup or liquid container can advantageously be exposed to water or other liquids, e.g., in a sink or in a dishwasher, without exposing the heating or cooling system **455** to said water or liquids, thereby inhibiting damage to the heating or cooling system **455**. Additionally, by being embedded in the body of the mug **460**, the mug **460** can be aesthetically pleasing as it looks like a conventional mug.

**[0134]** In another embodiment, the heating or cooling system **455** can be housed in a non-water proof module that can be removably attached to the mug **400**, cup or liquid container (e.g., threadably coupled to the mug **400**, or coupled via a pin/slot assembly where the module twists into the bottom of a mug **400**) to heat or cool the mug **400**, cup or liquid container. In this embodiment, when the mug **400**, cup or liquid container is to be washed, the heating or cooling module can be decoupled from the mug **400**, cup or liquid container before the mug **400**, cup or liquid container is washed (e.g., placed in the dish washing machine). The heating or cooling module can then be placed on a corresponding charging station for use at a later time when it can again be coupled to a mug **400**, cup or liquid container to heat or cool the contents of the mug **400**.

**[0135]** In another embodiment, the mug **400**, cup or liquid container can include one or more corrosion resistant electrical contacts (not shown) on an outer surface of the mug

400, such as the bottom surface 442 of the bottom portion 440 of the mug 400, where the electrical contacts are sized and shaped to contact corresponding electrical contacts (not shown) on the charging base 500 when the mug 400, cup or liquid container is placed on the charging base 500. In one embodiment, the electrical contacts of the mug 400, cup or liquid container can protrude from a surface of the mug 400, such as electrical posts. In another embodiment, the electrical contacts of the mug 400, cup or liquid container can be one or more contact pads (not shown) on the bottom surface 442 of the bottom portion 440 of the mug 400, cup or liquid container that can contact corresponding contact pads (not shown) on the top surface 522 of the charging base 500. However, the electrical contacts on the mug 400, cup or liquid container and charging base 500 can have other suitable configurations.

[0136] FIG. 9A shows another embodiment of a heated or cooled mug 400', cup or liquid container. The heated or cooled mug 400', cup or liquid container is similar to the heated or cooled mug 400, cup or liquid container and includes the same components and features disclosed for the heated or cooled mug 400, except as noted below. Thus, the reference numerals used to designate the various components of the heated or cooled mug 400', cup or liquid container are identical to those used for identifying the corresponding components of the heated or cooled mug 400, cup or liquid container in FIGS. 8-9, except that a "'" has been added to the reference numerals.

[0137] In the illustrated embodiment, the heated or cooled mug 400', cup or liquid container can have a heating or cooling element 460', which is shown schematically in FIG. 9A. In one embodiment, the heating or cooling element 460' can be a heater wire or heating wire, such as the heating or cooling element 460 shown in FIGS. 8-9. In another embodiment, the heating or cooling element 460' can be a resistive heater. However, in other embodiments, the heating or cooling element 460' can include other suitable mechanisms. In one embodiment, the heating or cooling element 460' can be an active cooling element or a passive cooling element. For example, where the heating or cooling element 460' is a passive cooling element, the heating or cooling element 460' can include a thermoelectric system with one or more Peltier elements in contact with, or in proximity to, the bottom surface 420b of the base 420. In another embodiment, where the heating or cooling element

**460'** is an active cooling element, the heating or cooling element **460'** can include a chilled fluid circulation system with channels (not shown) disposed in contact with, or in proximity to, the bottom surface **420b** of the base **420**. In still another embodiment, the heating or cooling element **460'** can be a FREON® cooling system with an expansion channel (not shown) inside a bottom portion **419** of the mug **400'**, cup or liquid container (or other dishware device). However, the heating or cooling element **460'** can include other suitable active cooling arrangements. Though the illustrated embodiment is for a heated or cooled mug **400'**, the heating or cooling element **460'** can be incorporated into any dishware, drinkware or serverware device, such as the plate **100**, bowl or serving dish and travel mug **600**, cup or liquid container (discussed below). In some embodiments, the dishware, drinkware or serverware device can include a heat sink (e.g., one or more fins) to dissipate heat generated by the heating or cooling element. In one embodiment, the heat sink can be incorporated into the body of the dishware, drinkware or serverware device. In another embodiment, the heat sink can be removably attached to the dishware, drinkware or serverware device. The heating or cooling element **460'** can be operated to maintain liquid or solid food in the dishware, drinkware or serverware device warm or cool (e.g., to raise or lower the temperature of the receiving portion of the dishware, drinkware or serverware device above or below ambient temperature to maintain the food warm or cool, such as at a desired temperature or within a desired temperature range).

**[0138]** FIGS. **10-12** show one embodiment of a travel mug **600**, such as a travel coffee mug, that incorporates some of the same features described above with respect to the mug **400**, cup or liquid container. In the illustrated embodiment, the travel mug **600**, cup or liquid container has an outer circumferential wall **610**, a handle **612** and a bottom portion **640**, where the bottom portion **640** can, in one embodiment, be removably attached to the distal end of the outer circumferential wall **610**. In the illustrated embodiment, the travel mug **600**, cup or liquid container has an inner circumferential wall **620** that extends from a proximal portion **622** to a base **626** and has a distal portion **624** adjacent the base **626**. The inner circumferential wall **620** defines a chamber **620c** (e.g., receiving portion) for holding a liquid (e.g., coffee, tea). The travel mug **600**, cup or liquid container can be sized to fit in a

standard diameter cup holder of an automobile. Additionally, the travel mug **600**, cup or liquid container can have a height that allows the travel mug **600**, cup or liquid container to fit in a drawer (e.g., top drawer) of a dishwasher rack, such that the travel mug **600**, cup or liquid container can be placed upside down in the dishwasher for cleaning in a generally vertical orientation. In one embodiment, the travel mug **600**, cup or liquid container can hold about **16** ounces of liquid. However, other liquid containment sizes can be used.

**[0139]** The inner circumferential wall **620** can attach at its proximal portion **622** to a proximal end **612a** of the outer circumferential wall **610**. As shown in FIG. **10**, the inner circumferential wall **620** is shaped relative to the outer circumferential wall **610** so as to define an annular gap **628** between the inner circumferential wall **620** and the outer circumferential wall **610**. Additionally, the base **626** of the inner circumferential wall **620** is spaced apart from the bottom portion **640** so as to define a cavity **630** therebetween, where the cavity **630** is in communication with the annular gap **628**. A cover **670** can be removably disposed over the opening **O** in the inner circumferential wall **620** to substantially seal the opening **O**.

**[0140]** With continued reference to FIGS. **10-11**, the travel mug **600**, cup or liquid container can have a heating or cooling system **655** disposed in the cavity **630**. In one embodiment, the heating or cooling system can include a heating or cooling element **660**, one or more energy storage devices **680** and an electronic module **690**, where these components can be arranged and connected in the same manner described above in connection with the heated or cooled plate **100**, bowl or serving dish and heated or cooled mug **400**, cup or liquid container. The heating or cooling element **660** can be disposed adjacent the distal portion **624** of the inner circumferential wall **620**. In the illustrated embodiment, the heating or cooling element **660** can be wrapped around the distal portion **624** and in contact with an outer surface **620a** of the inner circumferential wall **620** at the location of the distal portion **624** so as to conduct heat through the distal portion **624** of the inner circumferential wall **620** and into the liquid in the chamber **620c**. In one embodiment, the heating or cooling system **655** can include a drive transistor to accommodate heavy switching current flowing from the

electrical energy storage element **680** to one or more low resistance heating or cooling element **660**.

**[0141]** The electronic module **690** can be attached to a top surface **644** of the bottom portion **640** and can include one or more of a wireless power receiver **692** (e.g., that  
5 can receive power from an inductive coupling transmitter in a charging base or a charging pad), control circuitry **694** (e.g., controller circuit, microcontroller, etc.) and a charger **696** (e.g., charging circuit) for charging the one or more energy storage devices **680**. The electronic module **690** can include a MCU with capacitive sensing and graphic control features. The control circuitry **694** can operate to manage the power delivered to the heating  
10 or cooling element **660**. The control circuitry can also be used to manage the charging of the one or more energy storage devices **680**. In another embodiment, an insulative member, such as the insulative member **70**, **470** discussed above, can be disposed between the base **626** of the inner circumferential wall **620** and the electronic module **690** to thermally isolate the heating or cooling element **660** from the electronic module **690**.

**[0142]** In one embodiment, the wireless power receiver **692** is electrically  
15 connected to the battery charger **696**, which is electrically connected to the energy storage devices **680** that in turn are electrically connected to the heating or cooling element **660**. In another embodiment, where energy storage devices **680** are excluded, the wireless power receiver **692** can be electrically connected to the heating or cooling element **660**. In one  
20 embodiment, the heating or cooling system **655** is completely disposed in the cavity **630** so that no part of the system **655** is visible (i.e., the travel mug **600**, cup or liquid container looks like a conventional travel mug).

**[0143]** In one embodiment, the bottom portion **640** can be removably attached to the travel mug **600**, cup or liquid container to allow access to the heating or cooling system  
25 **655** in the cavity **630**. For example, the bottom portion **640** can be mechanically coupled to the travel mug **600**, cup or liquid container (e.g., with screws, a threaded interface between the bottom portion **640** and travel mug **600**, a press-fit connection). The bottom portion **640** can be removed to allow the replacing of the one or more energy storage devices **680** and the servicing of the heating or cooling system **655**. In one embodiment, the bottom portion **640**

can be a water resistant lid that can be removably attachable (e.g., threaded on or screwed) to the travel mug **600**, cup or liquid container for accessing the heating or cooling system **655**. In another embodiment, the bottom portion **640** can be a water resistant lid that can be removably attachable (e.g., threaded on or screwed) to the travel mug **600**, cup or liquid  
5 container for accessing the one or more energy storage devices **680**. In yet another embodiment, the energy storage devices **680** can be in a pack that is attached (e.g., threaded snap fit, screwed down) onto the bottom or side of the travel mug **600**, where the pack's electrical contacts connect with a set of electrical contacts on the bottom or side of the travel mug **600**, cup or liquid container.

10 [0144] With continued reference to FIGS. 10-12, a charging base **700** for the travel mug **600**, cup or liquid container can include a recessed portion **710** with a base **720**, where the recessed portion **710** is sized and shaped to at least partially receive the distal portion of the travel mug **600**, cup or liquid container therein, so that a bottom surface **642** of the bottom portion **640** is adjacent the base **720** when the travel mug **600**, cup or liquid  
15 container is placed on the charging base **700**. The charging base **700** can include a wireless power transmitter (not shown) attached to a bottom surface of the base **720**, in a similar manner as discussed above in connection with the charging base **200**, **500**. The wireless power transmitter is arranged on the bottom surface of the base **720** so as to generally align with the electronic module **690** when the travel mug **600**, cup or liquid container is positioned  
20 on the charging base **700** to facilitate wireless power transmission between the wireless power transmitter and the wireless power receiver **692** (e.g., via short distance wireless energy transfer, such as inductive coupling, as discussed above). In another embodiment, the travel mug **600**, cup or liquid container can have a recessed portion, and the charging base **700** a corresponding protruding portion that can at least partially fit within the recessed  
25 portion of the travel mug **600**, cup or liquid container when the travel mug **600**, cup or liquid container is coupled to the charging base **700**. The wireless power transmitter can be electrically connected to a power source (not shown), such as a wall outlet, via a power cord (not shown).

[0145] In another embodiment, the charging base **700** can be excluded and power can be transmitted to the wireless power receiver **692** via a remote power transmitter using long-distance wireless energy transmission, as further discussed below. In this embodiment, where the travel mug **600**, cup or liquid container also does not have energy storage devices, such as the energy storage devices **680**, the heating or cooling element **660** is electrically connected to the wireless power receiver **692** via the control circuit **694**, which is operable to control the amount of power that is provided to the heating or cooling element **660**. During operation, if the travel mug **600**, cup or liquid container is out of range of the wireless power transmission, the heating or cooling element **660** will lose power and shut off. For example, in this embodiment if the mug **600** is not on a charging base, such as the charging base **700**, or out of the range of power transmission from a remote wireless power transmitter, the heating or cooling element **660** in the travel mug **600**, cup or liquid container will lose power and shut off. In still another embodiment, the travel mug **600**, or plate **100**, bowl or serving dish or mug **400**, cup or liquid container can include one or more energy storage devices **80**, **480**, **680** electrically connected to the heating or cooling element **60**, **460**, **660** and the electronic module **90**, **490**, **690** can switch to battery power (e.g., via the control circuit **94**, **494**, **694**) when the travel mug **600**, plate **100**, bowl or serving dish or mug **400**, cup or liquid container is out of range of power transmission from the remote wireless power transmitter so that the heating or cooling element **60**, **460**, **660** can continue to heat or cool the contents of the travel mug **660**, plate **100**, bowl or serving dish or mug **400**, cup or liquid container for a period of time.

[0146] As with the embodiments discussed above, the heating or cooling element **660** can in one embodiment be a heater wire or heating wire. In another embodiment, the heating or cooling element **660** can be a resistive heater. However, in other embodiments, the heating or cooling element **660** can include other suitable mechanisms. In one embodiment, the heating or cooling element **660** can be an active cooling element or a passive cooling element. For example, where the heating or cooling element **660** is a passive cooling element, the heating or cooling element **660** can include a thermoelectric system with one or more Peltier elements. In another embodiment, where the heating or cooling element **660** is

an active cooling element, the heating or cooling element **660** can include a chilled fluid circulation system with channels (not shown) disposed in contact with, or in proximity to, the distal portion **624** of the inner circumferential wall **620**. In still another embodiment, the heating or cooling element **660** can be a FREON® cooling system with an expansion channel  
5 inside the bottom portion of the travel mug **600**, cup or liquid container (or other dishware device). However, the heating or cooling element **660** can include other suitable active cooling arrangements.

[0147] The one or more energy storage devices **680** can advantageously supply power to the heating or cooling element **660** for a prolonged period of time before its power  
10 charge diminishes, thereby advantageously maintaining the contents of the travel mug **600**, cup or liquid container (e.g., coffee, soft drink) hot or cold, for a prolonged period of time (e.g., while a user is commuting to work). In one embodiment, the energy storage devices **680** can power the heating or cooling element **660** for at least **15** minutes. In another embodiment, the energy storage devices **680** can power the heating or cooling element **660**  
15 for between about **30** minutes and about **60** minutes. However, in another embodiment, the energy storage devices **680** can power the heating or cooling element **660** for greater than **60** minutes.

[0148] In the illustrated embodiment, the travel mug **600**, cup or liquid container includes a user interface **695** that is electrically connected to the electronic module **690** via  
20 one or more electrical lines (not shown). In one embodiment, the electrical lines can include trace patterns screen printed on an inner surface **610a** of the inner circumferential wall **610** and extend between the user interface **695** and the electronic module **690**. In another embodiment, the electrical lines can include one or more standard electrical wires. The user interface **695** can include one or more user selection members **695a**, such as buttons, which  
25 the user can actuate to effect a desired control of the heating or cooling system **655**. For example, one of the user selection members **695a** can be used to turn off the heating or cooling element **660** (e.g., if the user does not want to continue to heat or cool the contents of the travel mug **600**). In another embodiment, one or more of the user selection members **695a** can be used to control the heating or cooling element **660** to provide a desired

temperature for the liquid in the travel mug **600**, cup or liquid container. In still another embodiment, at least one of the user selection members **695a** can be used to set a timer for when power to the heating or cooling element **660** is to be turned off. However, the user selection members **695a** can be used to control other parameters of the operation of the heating or cooling element **660**. For example, the heating or cooling element **660** could have multiple power settings that can be set with the user selection members **695a**. When set to a higher power setting the heating or cooling element **660** will run for a shorter period of time before the power storage element **680** can no longer power the heating or cooling element **660**. When set to a lower power setting, the heating or cooling element **660** will run for a longer period of time before the power storage element **680** can no longer power the heating or cooling element **660**. In another embodiment, the temperature level can be selected by a user via an adjustable thermostat on the user interface **695**. The thermostat can advantageously be adjusted to one of multiple temperature settings by the user to control the heating or cooling element **660** within the travel mug **660** (or other dishware or drinkware device) in order to maintain its contents at a specified temperature or within a specified temperature range.

[0149] As discussed above, in one embodiment, the heating or cooling system **655** is advantageously housed in the body of the travel mug **600**, cup or liquid container (e.g., housed in the cavity **630**) so that no portion of the heating or cooling system **655** is exposed or can be contacted by a user while holding the travel mug **600**, cup or liquid container. Therefore, the travel mug **600**, cup or liquid container can advantageously be exposed to water or other liquids, e.g., in a sink or in a dishwasher, without exposing the heating or cooling system **655** to said water or liquids, thereby inhibiting damage to the heating or cooling system **655**. Additionally, by being housed in the body of the travel mug **660**, the travel mug **660** can be aesthetically pleasing as it looks like a conventional travel mug. In another embodiment, the travel mug **600**, cup or liquid container can include one or more electrical contacts (e.g., electrical posts, contact pads) on an outer surface of the mug **600**, as discussed above in connection with the mug **400**, where the electrical contacts are sized and

shaped to contact corresponding electrical contacts (not shown) on the charging base **700** when the travel mug **600**, cup or liquid container is placed on the charging base **700**.

**[0150]** In another embodiment, the heating or cooling system **655** can be housed in a non-water proof module that can be removably attached to the travel mug **600**, cup or liquid container (e.g., threadably coupled to the travel mug **600**, or coupled via a pin/slot assembly where the module twists into the bottom of a travel mug **600**) to heat or cool the travel mug **600**, cup or liquid container. In this embodiment, when the travel mug **600**, cup or liquid container is to be washed, the heating or cooling module can be decoupled from the travel mug **600**, cup or liquid container before the travel mug **600**, cup or liquid container is washed (e.g., placed in the washing machine). The heating or cooling module can then be placed on a corresponding charging station for use at a later time when it can again be coupled to a travel mug **600**, cup or liquid container to heat or cool food on the travel mug **600**, cup or liquid container.

**[0151]** FIG. **13** shows another embodiment of a heated or cooled travel mug **600'**, cup or liquid container. The heated or cooled travel mug **600'**, cup or liquid container is similar to the heated or cooled travel mug **600**, cup or liquid container and includes the same components and features disclosed for the heated or cooled travel mug **600**, except as noted below. Thus, the reference numerals used to designate the various components of the heated or cooled travel mug **600'**, cup or liquid container are identical to those used for identifying the corresponding components of the heated or cooled travel mug **600**, cup or liquid container in FIGS. **10-12**, except that a "'" has been added to the reference numerals.

**[0152]** In the illustrated embodiment, the heated or cooled travel mug **600'**, cup or liquid container has a heating or cooling element **660'** that includes a trace pattern that is traced or laid onto at least a portion of the inner surface **620b'** of the distal portion **624'** of the inner circumferential wall **620'**. For example, the trace pattern can be screen printed onto the inner surface **620b'** and have a connecting portion (not shown) that electrically connects the heating or cooling element **660'** to the energy storage devices **680** or wireless power receiver **692**. This heating or cooling element configuration can also be incorporated into any other

drinkware, dishware or serverware devices, such as the plate **100**, **100'**, **800**, **800'**, **1100**, **1300**, **1400**, mug **400**, cup, baby bottle **1500** or liquid container discussed below.

[0153] FIG. **14** shows another embodiment of a heated or cooled travel mug **600''**, cup or liquid container. The heated or cooled travel mug **600''**, cup or liquid container is similar to the heated or cooled travel mug **600**, cup or liquid container and includes the same components and features disclosed for the heated or cooled travel mug **600**, except as noted below. Thus, the reference numerals used to designate the various components of the heated or cooled travel mug **600''**, cup or liquid container are identical to those used for identifying the corresponding components of the heated or cooled travel mug **600**, cup or liquid container in FIGS. **10-12**, except that a “''” has been added to the reference numerals.

[0154] In the illustrated embodiment, the cavity **630''** in the heated or cooled travel mug **600''**, cup or liquid container can be subdivided by a base **614''** of the outer cylindrical wall **610''** and an adjacent top wall **616''** into a first cavity **630a''** between the bottom portion **640''** and the top wall **616''** and a second cavity **630b''** between the base **614''** of the outer cylindrical wall **610''** and the annular gap **628''**. The energy storage devices **680** and electronic module **690** are disposed in the first cavity **630a''**. In the illustrated embodiment, the second cavity **630b''** is under a vacuum, which advantageously further thermally insulates the energy storage devices **680** and electronic module **690** from the heating or cooling element **660**. Additionally, having the second cavity **630b''** under a vacuum advantageously allows the inner surface **620b** of the inner circumferential wall **620** to maintain its temperature for a longer period of time, and therefore maintain the temperature of the liquid in the chamber **620c** for a longer period of time, as the vacuum in the second cavity **630b''** inhibits heat transfer through the outer cylindrical wall **610''** and base **614''**. In the illustrated embodiment, the heating or cooling element **660** can be electrically connected to the one or more energy storage devices **680** and the electronic module **690** with a connector (e.g., one or more wires, or a trace line printed on the side wall **620a''**, **610a''** of the inner and outer circumferential walls **610''**, **620**) (not shown) that extends between the first and second cavities **630a''**, **630b''**. This vacuum arrangement can also be incorporated

into any other drinkware, dishware or serverware devices, such as the plate **100**, **100'**, **800**, **800'**, **1100**, **1300**, **1400**, mug **400**, cup, baby bottle **1500** or liquid container discussed below.

**[0155]** In one embodiment, the heating or cooling system **55**, **455**, **655** is embedded or housed in the body of the dishware device (e.g., plate **100**, mug **400**, travel mug **600**, etc.). In another embodiment, the heating or cooling system **55**, **455**, **655** can be housed in a closed water-resistant or water-proof compartment, such as the cavity **50**, **450**, **630** disposed in a recess of the dishware device. For example, in one embodiment the compartment can be disposed in said recess such that a surface of the compartment is flush with the surrounding surface of the dishware device. In another embodiment, the compartment can protrude from a surface of the dishware device. In one embodiment, the water resistant or water-proof compartment can be removably disposed in said recess of the dishware device (e.g., the compartment can be removably attachable to the dishware, drinkware or serverware device). In another embodiment, the water resistant or water-proof compartment can be fixed within said recess (e.g., attached to the dishware device within the recess via an adhesive, screws, etc.).

**[0156]** As discussed above, in one embodiment power can be transmitted wirelessly from a wireless power transmitter, such as the power transmitter **240**, **540**, to a wireless power receiver, such as the power receiver **92**, **492**, **692**, via short-distance wireless energy transfer, such as inductive coupling. In another embodiment, the wireless power receiver **92**, **492**, **692** of the heated or cooled dishware and drinkware, such as the mug **400**, plate **100**, bowl or serving dish and travel mug **600**, can receive power from a remote transmitter via long-distance wireless energy transmission, so that a charging base need not be used to transmit power to the heated or cooled dishware and drinkware.

**[0157]** In one embodiment, the remote transmitter can be disposed on a wall or ceiling of a home or restaurant, or can be disposed outside the home or restaurant. The transmitter can wirelessly transmit power over a distance of a few to several meters to the wireless power receiver **92**, **492**, **692** using resonant inductive coupling. In one embodiment, an inductive coil in the remote transmitter can have a capacitance plate attached to each end of the coil wire. As electricity travels through the coil, the coil can resonate with a resonant

frequency that is a product of the inductance of the coil and the capacitance of the plates. The wireless power receiver, such as the wireless power receiver **92, 492, 692**, can have a similar inductive coil with the same resonant frequency as the inductive coil in the remote transmitter, so that energy can be transmitted from the transmitter to the wireless power receiver **92, 492, 692**. Accordingly, the heated or cooled dishware or drinkware, such as the mug **400**, plate **100**, bowl or serving dish and travel mug **600**, cup or liquid container can be powered wirelessly without the use of a charging base.

**[0158]** In use, a user can charge the one or more energy storage devices, such as the energy storage devices **80, 480, 680**, via the charging base and/or the remote transmitter. Once charged, the dishware or drinkware can be heated or cooled via the heating or cooling element **60, 460, 660** thereof to maintain food or liquids therein warm or chilled, as the case may be, for a prolonged period of time. Additionally, since the heating or cooling system **55, 455, 655** is disposed (e.g., embedded) in the body of the dishware or drinkware, such as the mug **400**, plate **100**, bowl or serving dish or travel mug **600**, the dishware and drinkware can be exposed to water (e.g., in a sink or dishwasher) while inhibiting damage to the heating or cooling system **55, 455, 655**. In another embodiment, as discussed above, the heating or cooling system **55, 455, 655** can be housed in a closed water resistant or water-proof compartment, where said compartment is fixed or removably attachable to the dishware device (e.g., mug **400**, plate **100**, etc.).

**[0159]** In one embodiment, the dishware or drinkware device (e.g., plate **100**, bowl, serving dish, mug **400**, travel mug **600**, cup or liquid container) can include an orientation sensor (e.g., gyro) that senses the orientation of the dishware or drinkware device, and communicates with the electronic module **90, 490, 690** to control the operation of the dishware or drinkware device. For example, the gyro can sense when the plate **100**, bowl or serving dish has been turned on its side or when the mug **400**, cup or liquid container or travel mug **600** have been turned upside down (e.g., when loading into a dishwasher) and communicates a signal to the electronic module **90, 490, 690** to discontinue power to the heating or cooling element **60, 460, 660**, thereby turning the heating or cooling element off. However, other suitable devices (e.g., sensors) other than a gyro can be used to sense the

orientation of the dishware, drinkware or serverware device, such as the plate **100**, mug **400**, cup or liquid container or travel mug **600**. In another embodiment, the dishware or drinkware device (e.g. plate **100**, bowl, serving dish, mug **400**, travel mug **600**, cup or liquid container) can have one or more accelerometer sensors which can sense changes in velocity or changes in motion or in orientation of the dishware or drinkware.

**[0160]** In one embodiment, the orientation (or tilt) sensor can sense when the plate **100**, bowl or serving dish is tilted more than a certain predetermined amount (e.g., more than  $45^\circ$ ) from the horizontal axis, and the electronic module **90** turns off power to the heating or cooling system **55** (e.g., to the heating or cooling element **60**) and disables user interface buttons (discussed further below) on the plate **100**, bowl or serving dish. The plate **100**, bowl or serving dish can then be inserted into a dishwasher for cleaning. The user interface buttons can be enabled once the plate **100**, bowl or serving dish is placed back on the charging station, such as the charging stand **300**.

**[0161]** In another embodiment, the orientation (or tilt) sensor can sense when the mug **400**, cup or liquid container or travel mug **600** (or cup or liquid container) is tilted by more than a certain predetermined amount (e.g., more than  $135^\circ$ ) from the upright vertical axis, and the electronic module **490**, **690** turns off power to the heating or cooling system **455**, **655** (e.g., to the heating or cooling element **460**, **660**) and disables user interface buttons and sensors (such as liquid sensors or liquid level sensors, discussed further below) on the mug **400**, cup or liquid container or travel mug **600** (or cup or liquid container). The mug **400**, cup or liquid container or travel mug **600** can then be inserted into a dishwasher for cleaning. The user interface buttons can be enabled once the mug **400**, cup or liquid container or travel mug **600** (or cup or liquid container) is returned to a right side up orientation, and the mug **400**, cup or liquid container or travel mug **600** (or cup or liquid container) can again be operated by selecting the “on” button thereon, or by placing the mug **400**, cup or liquid container or travel mug **600** (or cup or liquid container) back on its associated charging stand **500**, **700** and thereafter removing it, which resets the operation of the electronic module **490**, **690**.

[0162] Though the orientation or tilt sensor feature disclosed above may be described in connection with a plate **100**, mug **400** or travel mug **600**, one of skill in the art will recognize that it can also apply to any liquid container, drinkware, dishware or serverware (e.g., bowl, serving dish, hot plate, cup and/or liquid container), including the plate **100**, **800**, **800'**, **900**, **1100**, **1300**, **1400**, baby bottle **1500**, beer mug **1600**, travel mug **1700A**, **2000**, **2100**, **2400**, bread basket **2200**, tortilla warmer **2300**, and the scope of disclosure and the invention is understood to cover such liquid containers, drinkware, dishware and serverware.

10 Automatic Shut-off

[0163] In one embodiment, the electronic module **90**, **490**, **690** of the plate **100**, mug **400** or travel mug **600** (or bowl, serving dish, cup, or liquid container) can automatically turn off power to the heating or cooling element **60**, **460**, **660** (e.g., via the control circuitry **94**, **494**, **694**), when a predetermined level of the one or more electrical energy storage devices **80**, **480**, **680** (e.g., batteries) is detected. For example, if the charge or electrical energy storage level of the one or more electrical energy storage devices **80**, **480**, **680** is below a predetermined percentage of an amount corresponding to a full charge, the electronic module **90**, **490**, **690** can shut-off power to the heating or cooling element **60**, **460**, **960** to inhibit damage to the electrical energy storage devices **80**, **480**, **680** or other components of the plate **100**, mug **400** or travel mug **600** (or bowl, serving dish, cup or liquid container). In one embodiment, the predetermined power level of the electrical energy storage devices **80**, **460**, **660** below which power to the heating or cooling element(s) **60**, **460**, **660** is shut off can be about **30%**. However, in other embodiments, the predetermined charge level can be higher or lower than this value (e.g., **20%**).

25 [0164] Though the automatic shut-off feature disclosed above may be described in connection with a plate **100**, mug **400** or travel mug **600**, one of skill in the art will recognize that it can also apply to any liquid container, drinkware, dishware or serverware (e.g., bowl, serving dish, hot plate, cup, bottle, baby bottle and/or liquid container), including the plate **100'**, **800**, **800'**, **900**, **1100**, **1300**, **1400**, baby bottle **1500**, beer mug **1600**, travel mug **1700A**,

**2000, 2100, 2400**, bread basket **2200**, tortilla warmer **2300**, and the scope of disclosure and the invention is understood to cover such liquid containers, drinkware, dishware and serverware.

5           Timed Shut-off

[0165]       In another embodiment, the electronic module **90, 490, 690** of the plate **100**, mug **400** or travel mug **600** (or bowl, serving dish or liquid container) can automatically turn off power to the heating or cooling element **60, 460, 660** (e.g., via the control circuitry **94, 494, 694**) after a predetermined period of time during which the heating or cooling  
10 element **60, 460, 660** has been operating (e.g., continuously operating or intermittently operating). For example, in one embodiment, the predetermined period of time can be **3** hours. In another embodiment, the predetermined period of time can be **20** minutes. In still another embodiment, the predetermined period of time can be **5** hours. However, the predetermined period of time can be higher or lower than this.

15           [0166]       Though the timed shut-off feature disclosed above may be described in connection with a plate **100**, mug **400** or travel mug **600**, one of skill in the art will recognize that it can also apply to any liquid container, drinkware, dishware or serverware (e.g., bowl, serving dish, hot plate, cup and/or liquid container), including the plate **100', 800, 800', 900, 1100, 1300, 1400**, baby bottle **1500**, beer mug **1600**, travel mug **1700A, 2000, 2100, 2400**,  
20 bread basket **2200**, tortilla warmer **2300**, and the scope of disclosure and the invention is understood to cover such liquid containers, drinkware, dishware and serverware.

Operation Based on Food Detection

25           [0167]       In one embodiment, the plate **100**, bowl or serving dish can have a have one or more sensors (such as sensors **820A-820D** in FIG. **16**) that sense when food has been placed on the plate, bowl or serving dish and sends a signal to the electronic module **90** (e.g., sends a signal to the controller circuit **94**) to control the operation of the heating or cooling element **60** based at least in part on the signal. For example, the electronic module **90** can turn on the heating or cooling element **60** upon receiving the signal that food has been placed

on the plate **100**, bowl or serving dish. In one embodiment, the sensor can be a weight sensor. In one embodiment, the sensor can be a pressure sensor. In one embodiment, the sensor can be a liquid sensor. In one embodiment, the sensor can be a proximity sensor. In one embodiment, the sensor can be an optical sensor. In one embodiment, the sensor can be a near field sensor. In one embodiment, the sensor can sense a change in resonant frequency when food is placed on the plate, bowl or serving dish. For example, a component of the plate **100**, bowl or serving dish can transmit or broadcast a signal at a standard frequency and the sensor can sense a change or shift in the frequency of the signal (e.g., ultrasound type detection). In one embodiment, the frequency can be above or below an inductive coupling frequency (e.g., above or below about **100-120** kHz). For example, in one embodiment, the broadcast frequency of the signal can be about **40-50** kHz. In an embodiment where the sensor is an optical sensor, the plate **100**, bowl or serving dish can act as an optical filter and the optical signal can be transmitted through the plate, bowl or serving dish. In such an embodiment, the sensor would sense a modulated signal, relative to the set optical signal, which would indicate the presence of food on the plate **100**. In another embodiment, the sensor could be a temperature sensor (such as sensors **820A-820D** in FIG. **16**), which could detect a change in temperature (due to placement of food on the plate **100**, bowl or serving dish), to thereby sense the presence of food on the plate **100**, bowl or serving dish. Any combination of the above sensing techniques can be used to enhance the food detection capabilities of the plate **100**, bowl or serving dish.

**[0168]** Similarly, the mug **400** or travel mug **600** (or cup or liquid container) can have a sensor, or combination of sensors such as the sensors discussed above, to sense when liquid is present within the mug **400** or travel mug **600**, cup or liquid container. In one embodiment, when the mug **400** or travel mug **600** is removed from its associated charging station **500**, **700** or inductive coupling power pad, the electronic module **490**, **690** can place the mug **400** and travel mug **600** in standby mode and activate the liquid sensor. In one embodiment, the liquid sensor can be located at a bottom inner surface of the mug **400** or travel mug **600**, or at a distance from the bottom surface of the mug **400** or travel mug **600** (e.g., at  $\frac{1}{2}$  inch or **1** inch from the bottom along the inner side surface, though other locations

are possible). Once liquid is poured into the mug **400** or travel mug **600**, the liquid sensor can sense the liquid (e.g., via sensing of a change in temperature, weight, pressure, electrical conductivity, electrical continuity, electrical resistance between two conductors, change in frequency detection, optical sensor, or any combination of sensors above) and turn on the heating or cooling system **455**, **655** (e.g., after liquid has been sensed for a predetermined period of time, such as **2** seconds, or substantially instantaneously if desired, such as within less than **0.1** sec or **0.1** msec of sensing. In one embodiment, the mug **400** or travel mug **600** can have a visual indicator or screen (e.g., digital screen) that can be activated upon turning on of the heating or cooling system **455**, **655** (e.g., illustrating an illuminated logo, or temperature mode, or displaying the temperature of the liquid, etc.). In another embodiment, the visual indicator can be an illuminated logo or icon or can be a simple indicator light which tells the user that the heating or cooling system **455**, **655** has been activated. Once on, the mug **400** or travel mug **600** can operate the heating or cooling element **460**, **660** at a predetermined user selected temperature (e.g., the temperature selected by the user the last time the mug **400** or travel mug **600** was used, or a new temperature that the user has selected). The user can change the power level setting or temperature setting via one or more buttons (e.g., soft touch, touch switch, dial, push-button, touch pad, etc.) on a user interface of the mug **400** or travel mug **600**, cup or liquid container. In another embodiment, the power level or temperature setting can be adjusted using a dial, a switch, a gesture sensor, or any other type of user-interface mechanism in communication with the electronic module **490**, **690**. In one embodiment, the user-interface display on the mug **400** or travel mug **600** can warn a user if the liquid within the mug **400** or travel mug **600** is too hot to consume or is above or below a predetermined temperature (e.g., the user's preferred or selected temperature).

25           **[0169]**     The heating or cooling system **455** or **655** of the mug **400** or travel mug **600** can be configured to turn off once the liquid sensor (or combination of sensors) senses that the liquid inside the mug **400** or travel mug **600** has been depleted to a predetermined level or depleted completely. Once liquid is again poured into the mug **400** or travel mug **600**

so that the sensor (or combination of sensors) senses the poured liquid, the mug **400** or travel mug **600** can again be operated as described above.

**[0170]** Additionally, the mug **400** or travel mug **600** can have one or more liquid level sensors for detecting a liquid level in the mug **400** or travel mug **600**, cup or liquid  
5 container. The one or more liquid level sensors can be of the type discussed above (e.g., sensing a change in temperature, weight, pressure, electrical conductivity, electrical continuity, electrical resistance between two conductors, frequency detection such as ultrasound frequency detection, change in frequency, optical sensor, or any combination  
10 above) and can communicate sensed information to the electronic module **490**, **690**, which can transmit information to one or more indicators (e.g., visual indicators or audible indicator, such as a sound, or a vibration) on the mug **400** or travel mug **600** to indicate to the user the amount of liquid left in the mug **400** or travel mug **600**, cup or liquid container (or that the liquid in the cup, mug, or travel mug is at, above, or below, the user preferred drinking temperature). In one embodiment, the liquid level sensor can be used in  
15 combination with the orientation sensor (e.g. gyro) so that the liquid level within the mug **400** or travel mug **600** will only be taken when the mug **400** or travel mug **600** is in the upright position. This technique would advantageously avoid the improper reading of the liquid level when the user tilts the mug off of vertical axis to take a drink. In one embodiment, the one or more liquid level sensors can communicate signals to the electronic module **490**, **690**,  
20 allowing the electronic module **490**, **690** to determine if the mug **400**, travel mug **600**, cup or liquid container has been tilted. Accordingly, the one or more liquid level sensors can operate as orientation sensors to sense an orientation of the mug **400**, travel mug **600**, cup, or liquid container.

**[0171]** In one embodiment, the cup, mug **400**, travel mug **600**, **1700A**, **2000**,  
25 **2100**, **2400** or liquid container (such as beer mug **1600**, baby bottle **1500**) can have one or more liquid level sensors (e.g. ultrasound sensors, as discussed above). In one embodiment, the cup, mug **400**, travel mug **600**, **1700A**, **2000**, **2100**, **2400** or liquid container (such as beer mug **1600**, baby bottle **1500**) can have a plurality of liquid level sensors (e.g., disposed at various vertical locations of the sidewall, such as sidewall SW in FIG. **34A**). In one

embodiment, the one or more liquid level sensors can communicate liquid level information to the electronic module (such as electronic module EM, see FIG. 44), and the electronic module can operate the one or more heating or cooling elements (e.g., see HC in FIG. 44) based at least in part on said sensed level information. For example, in one embodiment the electronic module could turn on, turn off or adjust power to at least one of the one or more heating or cooling elements based at least in part on said sensed level information.

**[0172]** In one embodiment, where the one or more heating or cooling elements are arranged vertically on a sidewall (e.g., a panel embedded in the sidewall) of the cup, mug 400, travel mug 600, 1700A, 2000, 2100, 2400 or liquid container (such as beer mug 1600, baby bottle 1500), as discussed further below, the electronic module can turn off each of the heating or cooling elements as the liquid level drops below the vertical location of said heating or cooling element (see FIGS. 34A-34C). This can advantageously allow the efficient operation of the heating or cooling elements, as they are not operated once the liquid level has dropped below the location of the heating or cooling element.

**[0173]** In one embodiment, the liquid level sensing of a cup, mug, travel mug, baby bottle, beer mug, carafe or liquid container can be achieved through sensed electrical characteristics of the heating or cooling elements (e.g. when a heating or cooling element is submerged beneath a liquid level, or alternatively, exposed above a liquid level, the control circuitry can be configured to recognize the difference in the electrical characteristics of the heating or cooling element in order to determine if a heating or cooling element is below or above a liquid level). In this embodiment, the heating or cooling elements can be used to determine a general liquid level within the cup, mug, travel mug, baby bottle, beer mug, carafe or liquid container. This method of sensing is also advantageous for sensing if the liquid is near or not near a heating or cooling element (e.g. if the user places his or her cup, mug, travel mug, baby bottle, beer mug, carafe or liquid container on its side, or partially on its side, the control circuitry can sense that the liquid is not in thermal contact with said heating or cooling element, and can turn off or reduce power to said heating or cooling element).

[0174] Though operation based on sensing the presence of food (solid or liquid) disclosed above may be described in connection with a plate **100**, mug **400** or travel mug **600**, one of skill in the art will recognize that it can also apply to any liquid container, drinkware, dishware or serverware (e.g., bowl, serving dish, hot plate, cup and/or liquid container), including the plate **100'**, **800**, **800'**, **900**, **1100**, **1300**, **1400**, baby bottle **1500**, beer mug **1600**, travel mug **1700A**, **2000**, **2100**, **2400**, bread basket **2200**, tortilla warmer **2300**, and the scope of disclosure and the invention is understood to cover such liquid containers, drinkware, dishware and serverware.

10            Power Level Adjustment to Heating/Cooling Element Based on Food Heat Absorption

[0175] In one embodiment, the plate **100**, mug **400** or travel mug **600** (or bowl, serving dish, cup, or liquid container) can have a temperature sensor (such as the sensors **820A-820D** in FIG. **16**) in communication with the electronic module **90**, **490**, **690** (e.g., in communication with the control circuitry **94**, **494**, **694**). The temperature sensor can sense a temperature of food placed on the plate **100**, bowl or serving dish or sense a temperature of a liquid poured into the mug **400**, travel mug **600**, cup or liquid container. The temperature sensor can be an infrared sensor, a thermistor, thermocouple, a diode type sensor, a resistance temperature detector (RTD) sensor or any other suitable type of temperature sensor.

20            [0176] With respect to the plate **100**, bowl or serving dish, the sensor (such as sensors **820A-820D** of plate **800** in FIG. **16**) can sense the temperature of the food placed on the plate **100**, bowl or serving dish and communicate the sensed temperature to the electronic module **90**, which can then modulate power to the heating or cooling element **60** to vary (e.g. increase or decrease) the amount of energy provided by the heating or cooling element **60** to the plate, bowl or serving dish based on the difference between the sensed temperature and a user selected temperature setpoint for the plate **100**, bowl or serving dish. In one embodiment, if when placed on the plate, bowl or serving dish the food is above the user selected temperature setpoint, the electronic module **90** can control the heating or cooling element **60** to not activate (or to shut-off if the heating or cooling element **60** has been in

operation). This can advantageously extend the working time of the one or more electrical energy storage devices **80** (e.g., between charging events), which can allow the heating or cooling system **55** to have a longer working time (e.g., between charging events of the one or more electrical energy storage devices **80**). In another embodiment, the electronic module **90** can control the operation of the heating or cooling element **60** to actively decrease or increase the temperature of the food toward the user selected temperature setpoint. As the temperature of the food on the plate **100**, bowl or serving dish decreases or increases, the electronic module **90** can control the operation of the heating or cooling element **60** (e.g., adjust the power level up or down to increase or decrease the amount of energy provided by the heating or cooling element **60**) based at least in part on feedback to the electronic module **90** from the food temperature sensor to provide energy to the food to maintain the temperature of the food at the user selected temperature setpoint, or within a given temperature range about the user selected temperature setpoint. In one embodiment, the temperature sensor can be located on the food-receiving surface of the plate **100**, bowl or serving dish generally at the center, or multiple sensors can be spread out across the food-receiving surface of the plate, bowl or serving dish so that an average temperature can be used (e.g., sensors **820A-820D** on surface **S** of plate **800** in FIG. **16**, or sensors **920** on surface **S** of plate **900** in FIG. **18**). In another embodiment, discussed further below, where the plate **100**, bowl or serving dish has a plurality of heating or cooling elements **60** (e.g., heating or cooling elements **860A-D** in FIG. **16**, or heating or cooling elements **960** in FIG. **18**) that provide energy to different sections (e.g., quadrants) of the plate **100**, bowl or serving dish, a plurality of temperature sensors can be provided, each temperature sensor associated with one of said different sections of the plate **100**, bowl or serving dish. In still another embodiment, the temperature sensor can be located so that it is in communication with the food receiving surface of the plate **100**, bowl or serving dish even if the sensor is not located on the food receiving surface (e.g., the sensor can be located on an underside of the heated portion of the plate **100**, bowl or serving dish).

[0177] With respect to the mug **400**, travel mug **600**, cup or liquid container, the sensor can sense the temperature of the liquid poured into the mug **400**, travel mug **600**, cup

or liquid container, and communicate the sensed temperature to the electronic module 490, 690, which can then modulate power to the heating or cooling element 460, 660 to vary (e.g. increase or decrease) the amount of energy provided by the heating or cooling element 460, 660 to the mug 400, travel mug 600, cup or liquid container based on the difference between  
5 the sensed temperature and a user selected temperature setpoint for the mug 400, travel mug 600, cup or liquid container. In one embodiment, if when poured into the mug 400, travel mug 600, cup or liquid container the liquid (e.g., coffee, tea) is above the user selected temperature setpoint, the electronic module 490, 690 can control the heating element 460, 660 to not activate (or to shut-off if the heating element 460, 660 has been in operation).  
10 This can advantageously extend the working time of the one or more electrical energy storage devices 480, 680 (e.g., between charging events), which can allow the heating or cooling system 455, 655 to have a longer working time (e.g., between charging events of the one or more electrical energy storage devices 480, 680).

[0178] In another embodiment, the electronic module 490, 690 can control the  
15 operation of the heating or cooling element 460, 660 to actively decrease the temperature of the liquid toward the user selected temperature setpoint. As the temperature of the liquid in the mug 400, travel mug 600, cup or liquid container decreases, the electronic module 490, 690 can control the operation of the heating or cooling element 460, 660 (e.g., adjust the power level up or down to increase or decrease the amount of energy provided by the heating  
20 or cooling element 460, 660) based at least in part on feedback to the electronic module 490, 690 from liquid temperature sensor to provide energy to the liquid to maintain the temperature of the liquid at the user selected temperature setpoint, or within a given temperature range about the user selected temperature setpoint. In one embodiment, the temperature sensor can be located on the liquid-receiving surface of the mug 400, travel mug  
25 600, cup or liquid container. For example, in one embodiment, the temperature sensor can be provided on an inner side surface of the mug 400, travel mug 600, cup or liquid container a certain distance (e.g., one inch, or other distance) from a bottom surface. In another embodiment, the temperature sensor can be provided on the bottom surface of the liquid-receiving portion of the mug 400, travel mug 600, cup or liquid container. In still another

embodiment, the temperature sensor can be located so that it is in communication with the liquid receiving surface of the mug **400**, travel mug **600**, cup or liquid container, even if the sensor is not located on the inner surface (e.g., sensor could be located beneath the surface or integrated into the surface) of the mug **400**, travel mug **600**, cup or liquid container.

5           **[0179]**     Though power level adjustment to the heating or cooling element **60**, **460**, **660** based on heat absorption of the food item (solid or liquid) disclosed above may be described in connection with a plate **100**, mug **400** or travel mug **600**, one of skill in the art will recognize that it can also apply to any liquid container, drinkware, dishware or serverware (e.g., bowl, serving dish, hot plate, cup and/or liquid container), including the  
10   plate **100'**, **800**, **800'**, **900**, **1100**, **1300**, **1400**, baby bottle **1500**, beer mug **1600**, travel mug **1700A**, **2000**, **2100**, **2400**, bread basket **2200**, tortilla warmer **2300**, and the scope of disclosure and the invention is understood to cover such liquid containers, drinkware, dishware and serverware.

15           Thermal Protector Switch

**[0180]**     In one embodiment, the plate **100** (or bowl or serving dish), mug **400** and travel mug **600** (or cup, or liquid container) can have a thermal protection switch (e.g., as part of the controller circuit **94**, **494**, **694**). In use, if the temperature of the heating or cooling system **55**, **455**, **655** (e.g., the temperature of the heating or cooling element **60**, **460**, **660**) of  
20   the plate **100**, bowl, serving dish, mug **400**, travel mug **600**, cup or liquid container rises above a predetermined temperature (e.g., a predetermined high temperature limit), the thermal protection switch will open a circuit that electrically connects the electronic module **90**, **490**, **690** and the heating or cooling element **60**, **460**, **660**, so that the heating or cooling element will turn off.

25           **[0181]**     Though the thermal protection switch (or circuit) disclosed above may be described in connection with a plate **100**, mug **400** or travel mug **600**, one of skill in the art will recognize that it can also apply to any liquid container, drinkware, dishware or serverware (e.g., bowl, serving dish, hot plate, cup and/or liquid container), including the plate **100'**, **800**, **800'**, **900**, **1100**, **1300**, **1400**, baby bottle **1500**, beer mug **1600**, travel mug

1700A, 2000, 2100, 2400, bread basket 2200, tortilla warmer 2300, and the scope of disclosure and the invention is understood to cover such liquid containers, drinkware, dishware and serverware.

5            Battery Maintenance

[0182]        In one embodiment, where the one or more electrical energy storage devices 80, 480, 680 are batteries, the plate 100, bowl, serving dish, mug 400, travel mug 600, cup or liquid container can have smart battery functions to maximize the life of the one or more batteries 80, 480, 680. For example, the electronic module 90, 490, 690 can operate the heating or cooling system 55, 455, 655 so that the one or more batteries 80, 480, 680 are drained at certain intervals. In one embodiment, the electronic module 90, 490, 690 (e.g., charging circuit 96, 496, 696) can monitor cell balancing of the one or more batteries 80, 480, 680 during operation, as well as the discharge rate of the one or more batteries 80, 480, 680. The charging circuit 96, 496, 696 can also monitor the one or more batteries 80, 480, 680 to determine if they are all giving up energy generally equally, as well as that the battery level is not unsafe.

[0183]        Additionally, the charging circuit 96, 496, 696 can control the charging operation of the plate 100, bowl, serving dish, mug 400, travel mug 600, cup or liquid container to ensure the one or more batteries 80, 480, 680 are not overcharged and can discontinue the charging process once battery charge reaches full capacity. In another embodiment, if a plate 100, bowl, serving dish, mug 400, travel mug 600, cup or liquid container has been sitting on the charging station for a while without use and the battery level has decreased over time, the charging circuit 96, 496, 696 can sense this drop off in battery level and allow the one or more batteries 80, 480, 680 to be charged to reach a predetermined full charge level. The charging circuit 96, 496, 696 can also sense a discharge rate for the one or more batteries 80, 480, 680. If the discharge rate exceeds a rate that is acceptable or will cause long-term damage to the one or more batteries 80, 480, 680, the electronic module 90, 490, 690 can provide a visual indication, audible indication, and/or reduce power to the heating or cooling element 60, 460, 660.

[0184] Though smart battery functions (e.g., maintenance) disclosed above may be described in connection with a plate **100**, mug **400** or travel mug **600**, one of skill in the art will recognize that it can also apply to any liquid container, drinkware, dishware or serverware (e.g., bowl, serving dish, hot plate, cup and/or liquid container), including the plate **100'**, **800**, **800'**, **900**, **1100**, **1300**, **1400**, baby bottle **1500**, beer mug **1600**, travel mug **1700A**, **2000**, **2100**, **2400**, bread basket **2200**, tortilla warmer **2300**, and the scope of disclosure and the invention is understood to cover such liquid containers, drinkware, dishware and serverware.

10 Isolated Heating Areas

[0185] FIG. **16** shows another embodiment of a plate **800**, bowl or serving dish. The plate **800**, bowl or serving dish is similar to the plate **100**, **100'** described above and includes the same components (with the same numerical identifiers) and features disclosed for the plate **100**, **100'**, except as noted below.

15 [0186] In one embodiment, the plate **800**, bowl or serving dish can have a plurality of heating or cooling elements **860A-860D**, each of the heating or cooling elements **860A-860D** associated with a particular section (e.g., quadrant, half, or other fraction) **810A-810D** of the plate **800**, bowl or serving dish (e.g., a section of a flat portion of the plate where food is placed), isolated from each other, and being operated by the electronic module **90**  
20 independently of the other heating or cooling elements **860A-860D** based on input from the user (e.g., via a user interface on the plate **800**, bowl or serving dish, discussed further below). For example, the plurality of heating or cooling elements **860A-860D** could be arranged in a grid, where each of the heating or cooling elements **860A-860D** can heat a section of the plate **800**, bowl or serving dish associated with that portion of the grid. For  
25 example, the user could turn on and off the heating or cooling element **860A-860D** in a particular area (e.g., quadrant) of the plate **800**, bowl or serving dish via a user interface, such as the user interface **830** of plate **800'** in FIG. **17**. The plate **800'** is similar to the plate **100**, **100'**, **800** described above and includes the same components (with the same numerical identifiers) and features disclosed for the plate **100**, **100'**, **800**, except as noted below. In one

embodiment, the plate **800, 800'**, bowl or serving dish could provide a visual indicator **830** of which sections (e.g., quadrants) of the plate **800, 800'**, bowl or serving dish have the heating or cooling element **860A-860D** turned on or off (or in cooling mode versus heating mode), described further below. Said visual indication could be provided (e.g., on a rim or edge of the plate **800, 800'**, bowl or serving dish, as shown in FIG. 17) via one or more light sources or visual indicators (e.g., electroluminescence, OLEDs, or any other type of flat light emitter or slide light emitter, or edge lighting or a digital screen) in communication with the electronic module **90**. In another embodiment, the sections of the plate **800, 800'**, bowl or serving dish that are being actively heated or cooled could be illuminated using one or more light sources, such as those described above.

[0187] In one embodiment, one section **810A-810D** of the plate **800, 800'**, bowl or serving dish can have its associated heating or cooling element **860A-860D** turned on to heat the section of the plate **800, 800'**, bowl or serving dish (e.g., where the section receives a hot food item, such as steak), and another section **810A-810D** (e.g., quadrant, half) of the plate **800, 800'**, bowl or serving dish could have its associated heating or cooling element **860A-860D** turned off where the section of the plate **800, 800'**, bowl or serving dish receives a cold food item, such as salad). As discussed above, the plate **800, 800'**, bowl or serving dish can have a plurality of temperature sensors **820A-820D** for sensing a temperature of food placed on the plate **800, 800'**, bowl or serving dish, where each (or a plurality) of the temperature sensors **820A-820D** is associated with one of said sections **810A-810D** of the plate **800, 800'**, bowl or serving dish. The temperature sensor **820A-820D** can communicate the sensed temperature to the electronic module **90** (e.g., to the control circuitry **94**), and the electronic module **90** can determine whether a hot (e.g., steak) or cold (e.g., salad) food item is placed on the particular section of the plate **800, 800'**, bowl or serving dish based at least in part on the temperature sensed by the temperature sensor **820A-820D** in that section **810A-810D**. The electronic module **90** can turn on the heating element **860A-860D** associated with that section **810A-810D** if a hot food item has been placed thereon, or keep the heating element **860A-860D** off if a cold food item has been placed thereon. In another embodiment, the electronic module **90** can control at least one operating parameter of the heating or

cooling system **55** (e.g., of the one or more heating or cooling elements **860A-860D**) of the one or more plates **800, 800'**, bowl or serving dishes based at least in part on an average of sensed temperature information from the plurality of temperature sensors **820A-820D**. For example, the one or more temperature sensors **820A-820D** associated with a particular section **810A-810D** of the plate **800, 800'**, bowl or serving dish can communicate temperature information to the electronic module **90**, the control circuitry **94** can average the sensed temperatures, and the electronic module can control operation of the heating or cooling element **860A-860D** based at least in part on the average of the sensed temperatures (e.g., increase power to the heating or cooling element **860A-860D** if the average temperature is below the user selected temperature setpoint or a range about said setpoint, maintain the same power to the heating or cooling element **860A-860D** if the average temperature is within said range about the user selected temperature setpoint, or maintain power to the heating or cooling element **860A-860D** off if the average temperature is above said range about the user selected temperature setpoint).

**[0188]** FIG. **18** shows another embodiment of a plate **900**, bowl or serving dish. The plate **900** is similar to the plate **100, 100', 800, 800'** described above and includes the same components (with the same numerical identifiers) and features disclosed for the plate **100, 100', 800, 800'**, except as noted below.

**[0189]** In one embodiment, the plate **900**, bowl or serving dish can have a plurality of heating or cooling elements **960** that can be a plurality of thermoelectric elements (e.g., Peltier elements), where each of the thermoelectric elements **960** is associated with a different section **910** (e.g., quadrant, half, other fraction) of the plate **900**, bowl or serving dish. The electronic module **90** can control power delivery to each of the thermoelectric elements **960**, and the polarity to the thermoelectric element to control whether the thermoelectric element **960** (e.g., Peltier element) operates as a heating device or as a cooling device to heat or cool the particular section **910** of the plate **900**, bowl or serving dish associated with the thermoelectric element **960**. As discussed above, each of the sections **910** of the plate **900**, bowl or serving dish can have a separate temperature sensor **920** for sensing the temperature of the food placed on that section **910** of the plate **900**, bowl or serving dish.

The temperature information can be communicated to the electronic module **90**, which can then operate the thermoelectric elements **960** to heat or cool the particular section **910** of the plate **900**, bowl or serving dish based at least in part on the sensed temperature information. For example, if a hot food item (e.g., steak) is placed on one or more sections **910** of the plate **900**, bowl or serving dish, the electronic module **90** can control the operation of the thermoelectric element **960** associated with the one or more sections **910** to operate as a heating element to heat the one or more sections **910** of the plate **900**, bowl or serving dish to maintain the hot food item at a certain temperature (or within a range of a user selected temperature). Additionally, if a cold food item (e.g., salad) is placed on another section **910** of the plate **900**, bowl or serving dish, the electronic module **90** can control the operation of the electronic element **960** associated with that section **910** to operate as a cooling element to cool the section **910** of the plate **900**, bowl or serving dish to maintain the cold food item at a certain temperature (e.g., the initial sensed temperature of the cold food item). In another embodiment, a Peltier type cooling system can be used in combination with a heating system (e.g. one or more heating elements) so that all or a portion of the plate can be either heated or cooled. In another embodiment, the plurality of heating or cooling elements can be heating elements.

[0190] Though the isolated heating areas disclosed above may be described in connection with a plate **800**, **800'**, **900**, one of skill in the art will recognize that it can also apply to any liquid container, drinkware, dishware or serverware (e.g., bowl, serving dish, hot plate, cup, mug **400**, travel mug **600** and/or liquid container), including the plate **100'**, **800**, **800'**, **900**, **1100**, **1300**, **1400**, baby bottle **1500**, beer mug **1600**, travel mug **1700A**, **2000**, **2100**, **2400**, bread basket **2200**, tortilla warmer **2300**, and the scope of disclosure and the invention is understood to cover such liquid containers, drinkware, dishware and serverware.

[0191] In one embodiment, the cup, mug **400**, travel mug **600**, **1700A**, **2000**, **2100**, **2400**, baby bottle **1500**, beer mug **1600**, and/or liquid container can have one or more heating or cooling elements (e.g., Peltier elements, heater wire, etc.) HC, as discussed above, such as a plurality of heating or cooling elements HC. The one or more heating or cooling elements HC (e.g., multiple heating or cooling elements HC) can be arranged along or around

a side wall SW (e.g., incorporated into the side wall) of the cup, mug **400**, travel mug **600**, **1700A**, **2000**, **2100**, **2400**, baby bottle **1500**, beer mug **1600**, and/or liquid container, as shown in FIGS. **34A-34C**. In one embodiment, the one or more heating or cooling elements HC can be arranged along or around a sidewall at two or more locations (e.g., have multiple heating or cooling elements on two opposite sides, or wrapping around the circumference) of the cup, mug **400**, travel mug **600**, **1700A**, **2000**, **2100**, **2400**, baby bottle **1500**, beer mug **1600**, or liquid container.

**[0192]** In one embodiment, as discussed above, the one or more heating or cooling elements HC (e.g., a plurality of heating or cooling elements HC) can be operated independently of each other (e.g., each of the heating or cooling elements, such as Peltier elements, can be operated to heat or cool depending on the selected mode of operation).

**[0193]** In one embodiment, the cup, mug **400**, travel mug **600**, **1700A**, **2000**, **2100**, **2400**, baby bottle **1500**, beer mug **1600**, or liquid container can have a plurality of thermoelectric elements along a side wall SW (such as shown in Figs **34A-34C**). Control circuitry can be used to turn on or off the plurality of thermoelectric elements all together or independently. The control circuitry can also reverse the polarity to the thermoelectric elements all together or independently, so that the thermoelectric elements can be used to actively heat or actively cool the liquid within the cup, mug **400**, travel mug **600**, **1700A**, **2000**, **2100**, **2400**, baby bottle **1500**, beer mug **1600**, or liquid container depending on the polarity of the power that is delivered to said thermoelectric elements.

**[0194]** In one embodiment, the cup, mug **400**, travel mug **600**, **1700A**, **2000**, **2100**, **2400**, baby bottle **1500**, beer mug **1600**, or liquid container can have one thermoelectric element along a side wall SW. Control circuitry can be used to turn on or off the thermoelectric element. The control circuitry can also reverse the polarity to the thermoelectric element, so that the thermoelectric element can be used to actively heat or actively cool the liquid within the cup, mug **400**, travel mug **600**, **1700A**, **2000**, **2100**, **2400**, baby bottle **1500**, beer mug **1600**, or liquid container depending on the polarity of the power that is delivered to the said thermoelectric element.

[0195] In another embodiment, the cup, mug **400**, travel mug **600**, **1700A**, **2000**, **2100**, **2400**, baby bottle **1500**, beer mug **1600**, or liquid container can have one or more thermoelectric elements which can be used to actively cool the liquid within the cup, mug **400**, travel mug **600**, **1700A**, **2000**, **2100**, **2400**, baby bottle **1500**, beer mug **1600**, or liquid  
5 container, and one or more heating elements (e.g. heater wire) which can be used to actively heat the liquid within the cup, mug **400**, travel mug **600**, **1700A**, **2000**, **2100**, **2400**, baby bottle **1500**, beer mug **1600**, or liquid container.

[0196] In one embodiment, the heating or cooling elements HC can be operated (e.g., by the electronic module, such as the electronic module **690**, **2090**, **2190** disclosed  
10 herein) to induce, promote, facilitate or generate a circulation of liquid flow C (i.e. convection currents) within the cup, mug **400**, travel mug **600**, **1700A**, **2000**, **2100**, **2400**, baby bottle **1500**, beer mug **1600**, or liquid container, so as to facilitate a more uniform (e.g., even, constant) temperature across the volume of liquid. For example, the heating or cooling elements HC can be selectively operated to induce a counterclockwise flow C (i.e. convection  
15 current), as shown in FIG. **34A**. In another embodiment, the heating or cooling elements HC can be selectively operated to induce a clockwise flow C (i.e. convection current), as shown in FIG. **34B**. Advantageously, the circulation of liquid flow C or “waterfall effect”, where liquid circulates between the upper portion and the lower portion of the cup, mug **400**, travel mug **600**, **1700A**, **2000**, **2100**, **2400** or liquid container (e.g., beer mug **1600**, baby bottle  
20 **1500**) can cause natural convection heat transfer within the cup, mug **400**, travel mug **600**, **1700A**, **2000**, **2100**, **2400** or liquid container to thereby allow for more uniform heating or cooling of the liquid in the cup, mug **400**, travel mug **600**, **1700A**, **2000**, **2100**, **2400** or liquid container. In one embodiment, said circulation of the liquid advantageously results in the liquid in the bottom portion and the liquid in the top portion of the cup, mug **400**, travel mug  
25 **600**, **1700A**, **2000**, **2100**, **2400** or liquid container having substantially the same temperature (e.g., differ in temperature by less than **15** degrees F, differ in temperature by less than **10** degrees F, differ in temperature by less than **5** degrees F, differ in temperature by less than **3** degrees F, differ in temperature by less than **1** degree F) such that the liquid in the cup, mug

**400**, travel mug **600**, **1700A**, **2000**, **2100**, **2400** or liquid container has a substantially uniform temperature.

[0197] In one embodiment, the circulation effect can be induced, promoted, facilitated or generated simply by the strategic location of the heating or cooling element HC, or a plurality of heating or cooling elements HC. For example, in one embodiment, to actively cool the liquid within the cup, mug **400**, travel mug **600**, **1700A**, **2000**, **2100**, **2400**, baby bottle **1500**, beer mug **1600**, or liquid container, one or more cooling elements can be used (e.g. thermoelectric element), and can be located near a top level of the container, so that the liquid that is cooled by the one or more cooling elements HC begins to drop which displaces the warmer liquid that was at the bottom, which causes that warmer liquid to then rise, and the cycle repeats, which advantageously establishes a uniform liquid temperature within the cup, mug **400**, travel mug **600**, **1700A**, **2000**, **2100**, **2400**, baby bottle **1500**, beer mug **1600**, or liquid container. In another example, in yet another embodiment, to actively cool the liquid within the cup, mug **400**, travel mug **600**, **1700A**, **2000**, **2100**, **2400**, baby bottle **1500**, beer mug **1600**, or liquid container, one or more cooling elements HC can be used (e.g. thermoelectric element), and can be located along a side wall of the cup, mug **400**, travel mug **600**, **1700A**, **2000**, **2100**, **2400**, baby bottle **1500**, beer mug **1600**, or liquid container, so that the liquid that is cooled by the one or more cooling elements HC begins to drop along the side wall which displaces the warmer liquid that was at the bottom, which causes that warmer liquid to then rise, and the cycle repeats, which advantageously establishes a uniform liquid temperature within the cup, mug **400**, travel mug **600**, **1700A**, **2000**, **2100**, **2400**, baby bottle **1500**, beer mug **1600**, or liquid container. In yet another example, to actively heat the liquid within the cup, mug **400**, travel mug **600**, **1700A**, **2000**, **2100**, **2400**, baby bottle **1500**, beer mug **1600**, or liquid container, one or more heating elements HC can be used (e.g. thermoelectric element, heater wire, etc.), and can be located near a base of the cup, mug **400**, travel mug **600**, **1700A**, **2000**, **2100**, **2400**, baby bottle **1500**, beer mug **1600**, or liquid container, so that the liquid that is heated by the one or more heating elements HC begins to rise to the top which displaces the cooler liquid that was at the top, which causes that cooler liquid to then fall, and the cycle repeats, which advantageously

establishes a uniform liquid temperature within the cup, mug **400**, travel mug **600**, **1700A**, **2000**, **2100**, **2400**, baby bottle **1500**, beer mug **1600**, or liquid container. In yet another example, to actively heat the liquid within the cup, mug **400**, travel mug **600**, **1700A**, **2000**, **2100**, **2400**, baby bottle **1500**, beer mug **1600**, or liquid container, one or more heating elements HC can be used (e.g. thermoelectric element, heater wire, etc.), and can be located along a side wall or around a side wall, near the bottom portion of the cup, mug **400**, travel mug **600**, **1700A**, **2000**, **2100**, **2400**, baby bottle **1500**, beer mug **1600**, or liquid container, so that the liquid that is heated by the one or more heating elements begins to rise to the top which displaces the cooler liquid that was at the top, which causes that cooler liquid to then fall, and the cycle repeats, which advantageously establishes a uniform liquid temperature within the cup, mug **400**, travel mug **600**, **1700A**, **2000**, **2100**, **2400**, baby bottle **1500**, beer mug **1600**, or liquid container.

[0198] In one embodiment, the circulation effect can be induced, promoted, facilitated or generated by operating one or more of a plurality of heating or cooling elements HC. For example, in one embodiment, the circulation C can be induced, promoted, facilitated or generated by operating one of the plurality of heating or cooling elements HC (e.g., located in the top portion of the cup, mug, travel mug, baby bottle, beer mug, or liquid container). In another embodiment, the circulation can be induced, promoted, facilitated or generated by operating two of the plurality of heating or cooling elements HC (e.g., located in the top portion of the cup, mug, travel mug, baby bottle, beer mug, or liquid container). In still another embodiment, the circulation can be induced, promoted, facilitated or generated by operating more than two of the plurality of heating or cooling elements HC (e.g., located in the top portion of the cup, mug **400**, travel mug **600**, **1700A**, **2000**, **2100**, **2400**, baby bottle **1500**, beer mug **1600**, or liquid container. In one embodiment, the cup, mug **400**, travel mug **600**, **1700A**, **2000**, **2100**, **2400**, baby bottle **1500**, beer mug **1600**, or liquid container can have four heating and cooling elements HC (e.g., in a panel disposed on or incorporated in a side wall of the cup, mug, travel mug or liquid container), such as shown in FIGS. **34A-34C**. However, in other embodiments, the cup, mug, travel mug or liquid container can have fewer than four or more than four heating or cooling elements HC. In one embodiment, the one or

more heating or cooling elements HC are preferably arranged on the cup, mug **400**, travel mug **600**, **1700A**, **2000**, **2100**, **2400**, baby bottle **1500**, beer mug **1600**, or liquid container and/or operated in a manner that such circulation of fluid is induced, promoted facilitated or generated.

5           **[0199]**     In one embodiment, the heating or cooling elements HC can be spaced from each other (e.g., vertically spaced) along the sidewall of the cup, mug **400**, travel mug **600**, **1700A**, **2000**, **2100**, **2400**, baby bottle **1500**, beer mug **1600**, or liquid container. In another embodiment, the heating or cooling elements HC can be adjacent each other. In still another embodiment, each of the heating or cooling elements HC can be in contact with at  
10 least one adjacent heating and cooling element. In one embodiment, the heating or cooling elements HC can be arranged in a panel (e.g., a panel of Peltier elements) or a cluster (e.g. a cluster of Peltier elements).

**[0200]**     In one embodiment, the electronic module of the cup, mug **400**, travel mug **600**, **1700A**, **2000**, **2100**, **2400**, baby bottle **1500**, beer mug **1600**, or liquid container can  
15 operate the one or more heating and cooling elements HC (e.g., Peltier elements, resistive coil heaters) to induce, promote, facilitate or generate said circulation flow C based at least in part on the sensed liquid level information sensed by the one or more liquid level sensors (e.g., ultrasound sensors) as discussed above (and as discussed further with respect to FIG. **44** herein). For example, where the electronic module (such as the electronic module **490**, **690**,  
20 **2090**, **2190**, EM) operates two or more heating or cooling elements HC in an upper portion of the cup, mug **400**, travel mug **600**, **1700A**, **2000**, **2100**, **2400** or liquid container (e.g., beer mug **1600**, baby bottle **1500**) to generate said circulation of flow C (e.g., even if there are more than two heating or cooling elements HC in the sidewall SW of the cup, mug **400**, travel mug **600**, **1700A**, **2000**, **2100**, **2400** or liquid container), as the liquid level drops below  
25 the first HC1 of the two or more heating and cooling elements HC, the electronic module can turn said first heating and cooling element HC1 off. Optionally, the electronic module can also turn on, activate, or power on another heating or cooling element HC2 below the second of the two heating and cooling elements HC so that there remain two or more heating and cooling elements HC in operation to effect said circulation flow.

[0201] In one embodiment, circulation or mixing of the liquid within a cup, mug **400**, travel mug **600, 1700A, 2000, 2100, 2400**, baby bottle **1500**, beer mug **1600**, or liquid container can be accomplished using kinetic movement such as a diaphragm that moves in and out, similar to the cone of an audio speaker (e.g., a diaphragm attached to, embedded in or otherwise incorporated into the body, such as sidewall, of the container). In another embodiment, circulation or mixing of the liquid within a cup, mug **400**, travel mug **600, 1700A, 2000, 2100, 2400**, baby bottle **1500**, beer mug **1600**, or liquid container can be accomplished using sound waves or sound vibrations (e.g. a small speaker or piezoelectric speaker mounted to a surface of the cup, mug **400**, travel mug **600, 1700A, 2000, 2100, 2400**, baby bottle **1500**, beer mug **1600**, or liquid container). In another embodiment, circulation or mixing of the liquid within a cup, mug **400**, travel mug **600, 1700A, 2000, 2100, 2400**, baby bottle **1500**, beer mug **1600**, or liquid container can be accomplished using kinetic movement such as a piston or shaft that moves in and out, causing a disruption of the liquid and therefore mixing the liquid. In another embodiment, circulation or mixing of the liquid within a cup, mug **400**, travel mug **600, 1700A, 2000, 2100, 2400**, baby bottle **1500**, beer mug **1600**, or liquid container can be accomplished using kinetic movement such as one or more rotating mixer blades or arms (e.g., attached to or otherwise incorporated into the body of the container).

20 Generation of Electricity with Heating or Cooling Elements

[0202] In one embodiment, one or more of the heating or cooling elements HC can generate electricity that can be used (e.g., by the electronic module, such as the electronic module **490, 690, 2090, 2190**, EM) to charge the one or more power storage devices (e.g., the power storage devices **480, 680, 2080, 2180**, PS). In another embodiment, one or more thermoelectric elements within a cup, mug **400**, bowl B, travel mug **600, 1700A, 2000, 2100, 2400**, baby bottle **1500**, or liquid container (such as those disclosed in embodiments herein) can receive heat energy from hot liquid that has been poured into said cup, mug **400**, bowl B, travel mug **600, 1700A, 2000, 2100, 2400**, baby bottle **1500**, or liquid container and the heat energy can be converted to electricity. This electricity can be used to recharge one or more

power storage elements PS or can be used to directly power a specific feature (such as a thermostat or a Bluetooth radio, or WiFi radio, or indicator lights, or an indicator display which displays the temperature of the liquid, or any of the features described within this specification). In another embodiment, one or more thermoelectric elements within a cup, mug 400, bowl B, travel mug 600, 1700A, 2000, 2100, 2400, baby bottle 1500, or liquid container can receive heat energy from hot liquid that has been poured into said cup, mug 400, bowl B, travel mug 600, 1700A, 2000, 2100, 2400, baby bottle 1500, or liquid container and the heat energy can be converted to electricity. The control circuitry within said cup, mug 400, bowl B, travel mug 600, 1700A, 2000, 2100, 2400, baby bottle 1500, or liquid container can direct such electricity to charge the one or more power storage devices (e.g., power storage elements PS, batteries, capacitors) disclosed herein, which can advantageously prolong the working period of the cup, mug 400, bowl B, travel mug 600, 1700A, 2000, 2100, 2400, baby bottle 1500, or liquid container (e.g., maintain the liquid at the predetermined or preselected temperature or temperature range for a longer period of time).

15           **[0203]**     In another embodiment, the control circuitry within the cup, mug 400, bowl B, travel mug 600, 1700A, 2000, 2100, 2400, baby bottle 1500, or liquid container can activate one or more of a plurality of thermoelectric elements (such as those disclosed herein, for example HC) in order to actively heat or cool the liquid within the cup, mug 400, bowl B, travel mug 600, 1700A, 2000, 2100, 2400, baby bottle 1500, or liquid container. In this  
20 embodiment, the one or more thermoelectric elements that are not in use (i.e. not powered up to actively heat or cool the liquid) can be used to generate electricity (e.g. from the heat energy of the liquid) and can be used to charge the one or more power storage elements (e.g., power storage elements PS, batteries, capacitors). In another embodiment, the electricity generated by the not-in-use thermoelectric elements can be used to directly or indirectly direct  
25 power to the one or more thermoelectric elements that are in use (i.e. powered up to actively heat or cool the liquid).

**[0204]**     In another embodiment, the control circuitry within the cup, mug 400, bowl B, travel mug 600, 1700A, 2000, 2100, 2400, baby bottle 1500, or liquid container can activate one or more of a plurality of thermoelectric elements in order to actively heat the

liquid within the cup, mug **400**, bowl B, travel mug **600**, **1700A**, **2000**, **2100**, **2400**, baby bottle **1500**, or liquid container. In this embodiment, if the liquid that is poured into the cup, mug **400**, bowl B, travel mug **600**, **1700A**, **2000**, **2100**, **2400**, baby bottle **1500**, or liquid container is a higher temperature than the user-selected or factory-selected temperature setpoint, the one or more thermoelectric elements can be used to generate electricity (to charge the one or more power storage elements, such as PS) until the point in which the user-selected or factory-selected liquid temperature has been reached. At this point, the one or more thermoelectric elements can be utilized by the control circuitry in order to maintain said liquid temperature (i.e. be powered up to emit heat and be controlled by the control circuitry).

5 This embodiment uses the thermoelectric elements both to generate electricity and also to actively heat the liquid within the cup, mug **400**, bowl B, travel mug **600**, **1700A**, **2000**, **2100**, **2400**, baby bottle **1500**, or liquid container, and the dual purpose use of said thermoelectric elements is controlled by the control circuitry. This configuration advantageously takes advantage of the hot liquid in the cup, mug **400**, bowl B, travel mug **600**, **1700A**, **2000**, **2100**, **2400**, baby bottle **1500**, or liquid container in order to generate electricity while the liquid is too hot. This allows the one or more power storage elements to be charged or receive additional charging, so that the duration of time that the liquid can be kept at the temperature setpoint is prolonged.

10

15

[0205] In another embodiment, one or more thermoelectric generators can be used independent of the heating or cooling elements HC, and can be used to generate electricity to charge one or more energy storage devices within a cup, mug **400**, bowl B, travel mug **600**, **1700A**, **2000**, **2100**, **2400**, baby bottle **1500**, or liquid container.

20

[0206] In another embodiment, the cup, mug, bowl, travel mug, baby bottle or liquid container can have a port in which an external electronic device (e.g., mobile phone, radio, fitness monitoring device, PDA) can be connected, and the electricity generated from the thermoelectric elements can be used to power or charge said external electronic device. In a similar embodiment, wireless power can be used (as opposed to a port) to electrically connect an external electronic device (e.g. mobile phone, radio, fitness monitoring device,

25

PDA) so that the external electronic device can receive power from the cup, mug **400**, bowl B, travel mug **600, 1700A, 2000, 2100, 2400**, baby bottle **1500** or liquid container.

[0207] In another embodiment, there need not be an electricity generator within the cup, mug **400**, bowl B, travel mug **600, 1700A, 2000, 2100, 2400**, baby bottle **1500**, or liquid container. A port or wireless power transmitter within the cup, mug **400**, bowl B, travel mug **600, 1700A, 2000, 2100, 2400**, baby bottle **1500**, or liquid container can be used to transmit power to an external electronic device (e.g. mobile phone, radio, fitness monitoring device, PDA) in order to power or charge said external electronic device. The one or more power storage elements (e.g. power storage elements PS, batteries or capacitors) within the cup, mug **400**, bowl B, travel mug **600, 1700A, 2000, 2100, 2400**, baby bottle **1500**, or liquid container can be used to provide the electricity that is used to transmit to said external electronic device.

[0208] Though the generation of electricity with the heating or cooling elements HC disclosed above may be described in connection with a mug **400**, travel mug **600, 1700A, 2000, 2100, 2400** or liquid container (such as a beer mug **1600** or baby bottle **1500**), one of skill in the art will recognize that it can also apply to any liquid container, drinkware, dishware or serverware (e.g., bowl, serving dish, hot plate), including the plate **100', 800, 800', 900, 1100, 1300, 1400**, bread basket **2200**, tortilla warmer **2300**, and the scope of disclosure and the invention is understood to cover such liquid containers, drinkware, dishware and serverware.

#### Chilled Drinkware (e.g., Beer Mug)

[0209] FIG. 34D shows one embodiment of chilled drinkware **1600**. In the illustrated embodiment, the chilled drinkware **1600** can be a beer mug **1600**. The beer mug **1600** can have a body **1612** with a circumferential wall **1612a**, an inner side surface **1612b**, a handle **1614** and a base **1620** having a top surface **1620a**, where the inner side surface **1612b** and top surface **1620a** define a cavity **1618** that can hold a liquid (e.g., beer, soft drink, water). The beer mug **1600** can have a cooling system **1655** which can be disposed (e.g., embedded) in a cavity **1650a** between the circumferential wall **1612a** and the inner side

surface **1612b**. The cooling system **1655** can include one or more cooling elements **1660** (e.g. Peltier elements) disposed against an outer surface of the inner side surface **1612b** so as to cool said inner side surface **1612b** and thereby cool the liquid in the cavity **1618**, an insulative member **1670**, one or more energy storage devices **1680** and an electronic module **1690**, and these components can be arranged and connected in the same manner described above in connection with the heated or cooled plate **100**, mug **400**, or travel mug **600**. In one embodiment, one or more heat sinks can be thermally attached to the one or more cooling elements **1660** (heat sinks not shown). In another embodiment, an active cooling system (e.g. fan, diaphragm cooler, etc.) can be used to actively cool said heat sinks (not shown). In another embodiment, the insulative member **1670** can be excluded. In another embodiment, the one or more power storage devices or elements **1680** can be excluded.

[0210] The electronic module **1690** can be attached to a top surface **1644** of a bottom member **1640** of the mug **1600** and include one or more of a wireless power receiver **1692**, control circuitry **1694** (e.g., controller circuit, microcontroller, etc.) and optionally a charger **1696** (e.g., charging circuit) for charging the one or more energy storage devices **1680** in embodiments where the mug **1600** includes the energy storage devices **1680**. The electronic module **1690** can include a MCU with capacitive sensing and graphic control features. The control circuitry **1694** can operate to manage the power delivered to the one or more cooling elements **1660**, which in one embodiment can be controlled independently of each other as discussed herein. The control circuitry **1694** can also be used to manage the charging of the one or more energy storage devices **1680**. In one embodiment, the wireless power receiver **1692** is electrically connected to the battery charger **1696**, which is electrically connected to the energy storage devices **1680** that in turn are electrically connected to the cooling element **1660**. In another embodiment, where energy storage devices **1680** are excluded (as discussed above), the wireless power receiver **1692** can be electrically connected to the cooling elements **1660** (and can be controlled by control circuitry to maintain a specific temperature setpoint). In one embodiment, the cooling system **1655** is completely disposed in the body **1612** so that no part of the system **1655** is visible (i.e., the mug **1600** looks like a conventional mug). In another embodiment, the cooling system **1655** can be housed in a

module that is removably attachable to the mug **1600**. In another embodiment, a portion of the cooling system can be disposed in the body and a portion of the cooling system can be disposed outside the body (e.g. heat sink, etc.).

[0211] As discussed herein, the wireless power receiver **1692** can receive power from a wireless power transmitter (e.g., in a charging base on which the mug is placed, in a table, bar, counter or desk that incorporates a wireless power transmitter, etc.). Where a charging base is used, in one embodiment at least a portion of the charging base can extend into the bottom of the mug **1600** or be proximate the bottom surface of the mug **1600**.

[0212] In one embodiment, the bottom member **1640** can be removably attached to the mug **1600** to allow access to the cooling system **1655** in the cavity **1650a**. For example, the bottom member **1640** can be mechanically coupled to the mug **1600** (e.g., with screws, a threaded interface between the bottom member **1640** and mug **1600**, a press-fit connection). The bottom member **1640** can be removed to allow the replacing of the one or more energy storage devices **1680** and the servicing of the cooling system **1655**. In one embodiment, the bottom member **1640** can be a water resistant lid that can be removably attachable (e.g., threaded on or screwed) to the mug **1600**, cup or liquid container for accessing the cooling system **1655**. In another embodiment, the bottom member **1640** can be a water resistant lid that can be removably attachable (e.g., threaded on or screwed) to the mug **1600** for accessing the one or more energy storage devices **1680**. In yet another embodiment, the energy storage devices **1680** can be in a pack that is attached (e.g., threaded, snap fit, screwed down) onto the bottom of the mug **1600**, where the pack's electrical contacts connect with a set of electrical contacts on the bottom of the mug **1600**.

[0213] In another embodiment, the mug **1600** can include one or more corrosion resistant electrical contacts (not shown) on an outer surface of the mug **1600**, such as a bottom surface **1642** of the bottom portion **1640** of the mug **1600**, where the electrical contacts are sized and shaped to contact corresponding electrical contacts (not shown) (e.g., on a charging base when the mug **1600** is placed on the charging base). In one embodiment, the electrical contacts of the mug **1600** can protrude from a surface of the mug **1600**, such as electrical posts. In another embodiment, the electrical contacts of the mug **1600**, cup or

liquid container can be one or more contact pads (not shown) on the bottom surface **1642** of the bottom portion **1640** of the mug **1600**, cup or liquid container that can contact corresponding contact pads (not shown) on the charging base. However, the electrical contacts on the mug **1600** and associated charging base can have other suitable configurations.

**[0214]** The mug **1600** can operate in a similar manner as discussed above in connection with the mug **400** or travel mug **600**. In one embodiment, where the mug **1600** has power storage devices **1680**, the electronic module **1690** can store energy received (wirelessly via the wireless power receiver **1692**, or via a direct electrical connection as discussed above) in the power storage devices **1680** for powering the one or more cooling elements **1660**. In another embodiment, where power storage devices **1680** are excluded, said received energy or power can be directed to the cooling elements **1660**.

**[0215]** As discussed herein, the active cooling systems described in embodiments above can be incorporated into chilled drinkware, such as a beer mug **1600**. The active cooling system **1655** can include one or more cooling elements **1660** (e.g., Peltier elements) on a wall **1612b** (e.g., sidewall) of the beer mug body **1612** that can cool a liquid in the receiving cavity **1618** of the mug. In some embodiments, the mug **1600** can include one or more power storage elements **1680** that can supply power to the one or more cooling elements **1660**. The mug **1600** can optionally include a wireless power receiver **1692** that can wirelessly receive power from a power source, as discussed in the embodiments herein, and control circuitry **1694** that can operate the one or more cooling elements **1660**, and charge the one or more power storage elements **1680**. The mug **1600** can also incorporate all of the sensors discussed herein (e.g., liquid level sensors, temperature sensors, tilt sensors). The one or more cooling elements **1660** can be operated in unison or individually and independent of each other, as described herein (e.g., to induce circulation of liquid flow, to maintain the liquid at a predetermined or preselected temperature or temperature range). In one embodiment, the one or more cooling elements **1660** can be operated to maintain the liquid in the mug at **60** degrees F or less. In another embodiment, the one or more cooling elements **1660** can be operated to maintain the liquid in the mug at **50** degrees F or less, such as about

45 degrees F. In another embodiment, the one or more cooling elements **1660** can be operated to maintain the liquid in the mug at **40** degrees F or less. In one embodiment, the beer mug **1600** can have a user interface, which can allow the user to turn on or off the cooling system or set a specific liquid temperature setpoint or mode of cooling operation (e.g., High, Medium, Low), or set an approximate liquid temperature setpoint. In another embodiment, the beer mug can be controlled via wireless remote or via mobile electronic device (e.g. mobile phone or tablet).

[0216] Though the chilled drinkware disclosed above may be described in connection with a beer mug **1600**, one of skill in the art will recognize that it can also apply to any liquid container, drinkware, dishware or serverware (e.g., bowl, serving dish), including the plate **100**, **100'**, **800**, **800'**, **900**, **1100**, **1300**, **1400**, cup, mug **400**, travel mug **600**, **1700A**, **2000**, **2100**, **2400**, baby bottle **1500**, and the scope of disclosure and the invention is understood to cover such liquid containers, drinkware, dishware and serverware.

15            Wireless Power Transmitter

[0217] As discussed in the embodiments herein, the cup, mug **400**, travel mug **600**, **1700A**, **2000**, **2100**, **2400** or liquid container (e.g., chilled drinkware, such as beer mug **1600**, baby bottle **1500**) can have an active heating or cooling system. In one embodiment, the heating or cooling system can include a wireless power receiver that receives power (e.g., via induction) from a power source and uses it to store energy in one or more power storage devices PS (see FIG. **44**), which can then provide power to one or more heating or cooling elements HC (e.g., the elements can be operated to provide both heating and cooling). In another embodiment, the heating or cooling system can exclude power storage devices PS and power is transmitted from the wireless power receiver to the one or more heating or cooling elements HC (or can be transmitted to the electronics module EM which can control the power flow to the heating or cooling elements HC).

[0218] In one embodiment, the power source can be one or more wireless power transmitters **1800** (e.g., and inductive power pad) that can be attached to, coupled to, embedded in, or otherwise incorporated into a table top, counter top, bar top, desk top or any

other support surface **1850**. In use, as shown in FIGS. **38A-38F**, the user can place the actively heated or cooled bowl B, plate **100, 100', 100'', 800, 800', 900, 1100, 1300, 1400**, cup, mug **400**, travel mug **600, 1700A, 2000, 2100, 2400** or liquid container (e.g., chilled drinkware such as a beer mug **1600**, baby bottle **1500**) on said table top, counter top, bar top, desk top or support surface **1850** and the wireless power transmitter **1800** therein can provide wireless power to the wireless power receiver in actively heated or cooled bowl B, plate **100, 100', 100'', 800, 800', 900, 1100, 1300, 1400**, cup, mug **400**, travel mug **600, 1700A, 2000, 2100, 2400** or liquid container (e.g., chilled drinkware such as a beer mug **1600**, baby bottle **1500**). As discussed above, where the heating or cooling system includes one or more power storage devices, said transmitted wireless power can be used to store energy in the one or more power storage devices (e.g., charge the batteries). In embodiments where the heating or cooling system excludes power storage devices, said transmitted wireless power can be used to provide power to the one or more heating or cooling elements via the electronic module of the heating or cooling system.

**[0219]** In another embodiment, said transmitted wireless power can be used to provide power directly to the one or more heating or cooling elements (e.g., HC, see FIG. **44**) within the bowl B, plate **100, 100', 100'', 800, 800', 900, 1100, 1300, 1400**, cup, mug **400**, travel mug **600, 1700A, 2000, 2100, 2400** or liquid container (e.g., chilled drinkware such as a beer mug **1600**, baby bottle **1500**), and the electronic module can be omitted. This embodiment of said dishware can have a wireless power receiver and one or more heating or cooling elements, and no other circuitry, or very minimal circuitry, in order to keep manufacturing costs low. In another embodiment, said transmitted wireless power can be used to provide power to the one or more heating or cooling elements within the bowl B, plate **100, 100', 100'', 800, 800', 900, 1100, 1300, 1400**, cup, mug **400**, travel mug **600, 1700A, 2000, 2100, 2400** or liquid container (e.g., chilled drinkware such as a beer mug **1600**, baby bottle **1500**), and said dishware can have a simple circuit that can limit the power to the one or more heating or cooling elements or can have a simple thermostat circuit that can keep the temperature of the liquid at a predetermined temperature or temperature range. As such, the wireless power transmitters **1800** can be incorporated into tables (indoor or

outdoor), counters or bars at cafes or coffee shops, restaurants, bars, as well as into desk tables (e.g., at work, school). Such wireless power transmitters **1800** can also be incorporated into cup holders (e.g., at movie theatres, in an automobile, etc.).

5           **[0220]**     In one embodiment, where the liquid container is a coffee cup with the active heating or cooling system incorporated therein, in the manner discussed herein, a wireless power transmitter can be attached to, coupled to, embedded in or otherwise incorporated in a saucer plate associated with the coffee cup and on which the coffee cup can rest. The saucer plate can in turn be connected to a power source (e.g., wall outlet) and can provide power to the heating or cooling system in the coffee cup. In one embodiment, the saucer plate can have one or more power storage elements, which can be charged and can provide power to said coffee cup via electrical contacts or wireless power. In another embodiment, the saucer plate can be a different form factor, such as a disc shape, or cradle shape, or any other suitable shape that the coffee cup can sit on. These embodiments can have all of the same features and/or functions as the saucer plate (described above).

15           **[0221]**     In another embodiment, the wireless power transmitter can be coupled to, attached to, embedded in or otherwise incorporated into a cup holder (e.g., in an automobile, truck, bus, boat, airplane) that can receive the cup, mug **400**, travel mug **600**, **1700A**, **2000**, **2100**, **2400**, beer mug **1600**, or liquid container therein, such that the wireless power transmitter can transmit power to the wireless power receiver in the cup, mug **400**, travel mug **600**, **1700A**, **2000**, **2100**, **2400**, beer mug **1600**, or liquid container when the latter is placed in or supported by the cup holder.

25           **[0222]**     In another embodiment, the wireless power transmitter can be attached to, coupled to, embedded in or otherwise incorporated in a container receiving area of a coffee making machine (e.g., a single-serving coffee machine, or coffee machine with a carafe, etc.). When the cup, mug **400**, travel mug **600**, **1700A**, **2000**, **2100**, **2400**, coffee carafe, or liquid container is placed on the receiving area of the machine it can sit over the wireless power transmitter, which can transmit power to the wireless power receiver in the cup, mug **400**, travel mug **600**, **1700A**, **2000**, **2100**, **2400**, coffee carafe, or liquid container. As previously discussed, said wireless power can be used to store energy in one or more power storage

devices (e.g., **680, 2080, 2180**) of the cup, mug **400**, travel mug **600, 1700A, 2000, 2100, 2400**, coffee carafe, or liquid container or it can be directly directed to the heating or cooling elements in embodiments where the cup, mug **400**, travel mug **600, 1700A, 2000, 2100, 2400**, coffee carafe or liquid container exclude power storage devices. The cup, mug **400**,  
5 travel mug **600, 1700A, 2000, 2100, 2400**, coffee carafe, or liquid container can in one embodiment use the power received from the wireless power transmitter to pre-heat the liquid receiving area of the cup, mug **400**, travel mug **600, 1700A, 2000, 2100, 2400**, coffee carafe, or liquid container either before or coincident with delivery of liquid from the machine into the receiving area. Such implementation of a wireless power transmitter into the coffee  
10 making machine can advantageously provide a mechanism for a preheating system within the cup, mug **400**, travel mug **600, 1700A, 2000, 2100, 2400**, coffee carafe, or liquid container. In one embodiment, where the cup, mug **400**, travel mug **600, 1700A, 2000, 2100, 2400**, coffee carafe, or liquid container has one or more power storage devices (e.g. batteries, capacitors, etc.), once the cup, mug **400**, travel mug **600, 1700A, 2000, 2100, 2400**, coffee  
15 carafe or liquid container is removed from the receiving area of the coffee making machine, the electronic module (e.g., electronic module EM in FIG. **44** or other control circuitry) can operate the one or more heating or cooling elements to maintain the liquid at the user selected or predetermined temperature or temperature range. In other embodiments, where the power storage elements are excluded, once the cup, mug **400**, travel mug **600, 1700A, 2000, 2100,**  
20 **2400**, coffee carafe or liquid container is removed from the receiving area of the coffee making machine, the cup, mug **400**, travel mug **600, 1700A, 2000, 2100, 2400**, coffee carafe or liquid container will slowly cool down over time, in accordance with the heat dissipation characteristics of the material of the cup, mug, travel mug, coffee carafe or liquid container. Thermal materials can be used to prolong the amount of time that the cup, mug, travel mug or  
25 liquid container stays hot (e.g. phase change material, etc.). In one embodiment, the said cup, mug, travel mug, coffee carafe, or liquid container can have an inductive coupling receiver and a heating or cooling element (e.g., heating or cooling element HC, such as a Peltier element, resistive heater). In another embodiment, there can be other circuitry in the said cup, mug, travel mug, coffee carafe or liquid container such as a temperature sensor (e.g., the

temperature sensors 820A-820D, 920, or S1-Sn in FIG. 44) and an electronics module (e.g., electronic module 90, EM in FIG. 44) which can regulate the temperature of the heating or cooling elements.

[0223] In another embodiment, said cup, mug travel mug, coffee carafe or liquid  
5 container can have an inductive coupling power receiver, a thermostat circuit, and heating or cooling elements. In this embodiment, when the cup, mug, travel mug, coffee carafe or liquid container is placed in the receiving area of the coffee making machine, and the inductive coupling transmitter of the machine is turned on, the cup, mug, travel mug, coffee carafe or liquid container can use its thermostat circuit to control the pre-heating process at a user  
10 selected or predetermined temperature or temperature range. This embodiment can have a user interface, or can exclude a user-interface and rely on a factory set temperature or temperature range. In another embodiment, similar to the above embodiment, instead of using a thermostat circuit, said cup, mug travel mug, coffee carafe or liquid container can have an inductive coupling power receiver, a power limiting device (i.e. current limiter,  
15 voltage limiter or wattage limiter), and heating or cooling elements. In this embodiment, when the cup, mug, travel mug, coffee carafe or liquid container is placed in the receiving area of the coffee making machine, and the inductive coupling transmitter of the machine is turned on, the cup, mug, travel mug, coffee carafe or liquid container can use its power limiting device to control the pre-heating temperature at a user selected or predetermined  
20 temperature or temperature range. This embodiment can have a user interface, or can exclude a user-interface and rely on a factory predetermined temperature or temperature range. In another embodiment, the user can select a pre-heat temperature or pre-heat temperature range for said cup, mug travel mug, coffee carafe or liquid container via a user interface located on the coffee making machine. In this embodiment, the coffee making machine can limit or  
25 control the power level of its inductive coupling transmitter (based on the user-selected temperature or temperature range), so as to control the amount of power delivered to the inductive coupling receiver within the cup, mug, travel mug, coffee carafe or liquid container. This embodiment advantageously allows the user to select a pre-heat temperature or pre-heat temperature range for the cup, mug, travel mug, coffee carafe or liquid container directly on

the coffee maker machine, and the manufacturing costs for the cup, mug, travel mug, coffee carafe or liquid container can be reduced due to the reduced number of components within the cup, mug travel mug, coffee carafe or liquid container. Although the machine described in the above embodiments is a coffee making machine, the above embodiments can work with a tea making machine, or coffee and tea making machine, or other hot or cold liquid dispensing machines.

[0224] As discussed previously, the cup, mug, travel mug, coffee carafe, or liquid container can have a user-selected temperature set point or mode (e.g., low, medium, high). As discussed herein, such user-selected temperature set point or range can be provided, in one embodiment, via a user interface on the cup, mug, travel mug, coffee carafe or liquid container. In one embodiment, the base of the coffee making machine could have a user interface (e.g., temperature set point selector, such as a dial) with which the user could preset the temperature for the cup, mug, travel mug, coffee carafe or liquid container that is placed on the base or receiving area. In other embodiments, the cup, mug, travel mug, coffee carafe, or liquid container can have a preselected temperature set point (e.g., a factory pre-set temperature). In still another embodiment, the cup, mug, travel mug, coffee carafe, or liquid container need not have a preselected (e.g., at factory) or user selected temperature set point. Rather, the amount of heat provided by the heating or cooling element can be controlled by the amount of amperage, voltage or wattage passed through the induction transmitter. In such an embodiment, the coffee making machine could include a potentiometer that controls the amperage (or voltage or wattage) provided to the base or receiving area of the coffee making machine to set the temperature on the cup, mug or travel mug placed on the receiving area. Although the machine described in the above embodiments is a coffee making machine, the above embodiments can work with a tea making machine, or coffee and tea making machine, or other hot or cold liquid dispensing machines.

[0225] Though the wireless power transmitter disclosed above may be described in connection with a cup, mug, travel mug, coffee carafe, or liquid container, one of skill in the art will recognize that it can also apply to any liquid container, drinkware, dishware or serverware (e.g., bowl, serving dish, hot plate), including the plate 100', 800, 800', 900,

**1100, 1300, 1400**, bread basket **2200**, tortilla warmer **2300**, and the scope of disclosure and the invention is understood to cover such liquid containers, drinkware, dishware and serverware.

5            Wireless Control

[0226]        In one embodiment, operation of the plate **100**, bowl, serving dish, mug **400**, travel mug **600**, cup or liquid container can be controlled wirelessly (e.g., via Wi-Fi, Bluetooth™, Zigbee™, IR or RF communication). For example, the electronic module **90, 490, 690** can include a communication transceiver (e.g., Wi-Fi, Bluetooth™, Zigbee™, IR or  
10 RF transceiver) that allows the plate **100**, bowl, serving dish, mug **400**, travel mug **600**, cup or liquid container to send information to the remote device, as well as to receive information and/or instructions from the remote device. In one embodiment, the plate **100**, bowl, serving dish, mug **400**, travel mug **600**, cup or liquid container can have an IP address and be linked to a user via a Wi-Fi network. Accordingly, the plate **100**, bowl, serving dish, mug **400**,  
15 travel mug **600, 1700A, 2000, 2100, 2400**, cup or liquid container (e.g., beer mug **1600**, baby bottle **1500**) can connect wirelessly to a cloud (e.g., a cloud-based communication system). In another embodiment, the plate **100**, bowl, serving dish, mug **400**, travel mug **600**, cup or liquid container can have a near field communication (NFC) pad, so that a user can use their mobile electronic device to connect to the plate **100**, bowl, serving dish, mug **400**, travel mug  
20 **600**, cup or liquid container via Bluetooth (e.g., via a Bluetooth link using a Bluetooth chip) or other wireless communication means.

[0227]        In one embodiment, the remote device can be a wireless remote control. In another embodiment, the remote device can be a mobile electronic device (e.g., smart phone, PDA, tablet computer, laptop, notebook, etc.) that can communicate via the cloud, or that can  
25 be paired or synchronized (e.g., via Bluetooth), with the plate **100**, bowl, serving dish, mug **400**, travel mug **600**, cup or liquid container (e.g., chilled drinkware, baby bottle). With respect to plates **100**, bowls, serving dishes, mugs **400**, cups or liquid containers, the mobile electronic device can be paired with one of the plates **100**, bowls, serving dishes, mugs **400**, cups or liquid containers to control the operation of that individual plate **100**, bowl, serving

dish, mug **400**, cup or liquid container or can be paired with a plurality of plates **100**, bowls, serving dishes, mugs **400**, cups or liquid containers to control the operation of the plurality of plates **100**, bowls, serving dishes, mugs **400**, cups or liquid containers at the same time.

[0228] In one embodiment, a mobile application (e.g., an iPhone, Android,  
5 BlackBerry or Windows mobile application) can be installed on the mobile electronic device to allow the mobile electronic device to communicate with the one or more plates **100**, bowls, serving dishes, mugs **400**, travel mugs **600**, cups or liquid containers (e.g., via the cloud or via a Bluetooth connection).

[0229] The wireless remote control or mobile electronic device can receive  
10 operational data from the one or more plates **100**, bowls, serving dishes, mugs **400**, travel mugs **600**, cups or liquid containers with which the wireless remote control or mobile electronic device communicates via the cloud or is paired (e.g., via Bluetooth). For example, charge level of the one or more batteries **80**, **480**, **680**; heating/cooling status or temperature of the plate **100** bowl or serving dish or different sections of the plate **100** bowl or serving  
15 dish, or of the cup, liquid container, mug **400** or the travel mug **600**; ambient temperature; and/or diagnostic information for the heating or cooling system **55**, **455**, **655** can be communicated to the wireless remote control or mobile electronic device. In one embodiment, the mobile electronic device can receive information from the one or more plates **100**, bowls, serving dishes, mugs **400**, travel mugs **600**, **1700A**, **2000**, **2100**, **2400**,  
20 cups or liquid containers (e.g., via the cloud or via a near field communication system, or via Wi-Fi or via Bluetooth). For example, the mobile electronic device could receive information on how many cups of coffee the user has had throughout the day. Additionally, using the liquid level sensors (discussed above), the mobile electronic device could receive information from the cup, mug **400**, travel mug **600**, **1700A**, **2000**, **2100**, **2400** or liquid  
25 container on the volume (e.g., ounces) of liquid (e.g., coffee, tea, water, beer, soft drink) that the user has consumed (e.g., on a daily basis, on a weekly basis, on a monthly basis, etc.). Accordingly, the cup, mug **400**, travel mug **600**, **1700A**, **2000**, **2100**, **2400** or liquid container could communicate with the cloud to provide information on the coffee, beer, water (etc.) intake of the user, thereby tracking user behavior. The user could use such information to

track information about their habits (e.g., times of day that they drink coffee, number of cups of coffee consumed a day, type of coffee drink or tea that they like, etc.). Such information could also be used to limit user intake (e.g., of coffee), by communicating such habit information (e.g., set by the user via the user interface on the cup, mug **400**, travel mug **600**, **1700A**, **2000**, **2100**, **2400**, baby bottle **1500** or liquid container, or via a mobile application or website, as discussed further herein, or stored on the cloud based on information compiled from the user over, for example a week, a month, etc.) to the user via the cup, mug **400**, travel mug **600**, **1700A**, **2000**, **2100**, **2400**, baby bottle **1500**, or liquid container. For example, the cup, mug or travel mug could activate an alarm (e.g., visual alarm, auditory alarm) to let the user know when the intake limit for coffee has been reached for the day, such drink limit information communicated from the cloud to the cup, mug, baby bottle, travel mug or liquid container. Similarly, the chilled drinkware (e.g., beer mug) could activate an alarm (e.g., visual alarm, auditory alarm, etc.) when the number of beers consumed reaches a preselected limit (e.g., chosen by the user, bartender, etc.) via an electronic device (e.g., mobile electronic device, desktop computer, etc.) through the cloud or a near field communication system, or can be selected via a user-interface on the chilled drinkware device (e.g., beer mug **1600**).

[0230] As discussed above, the information collected by the one or more plates **100**, bowls, serving dishes, mugs **400**, travel mugs **600**, **1700A**, **2000**, **2100**, **2400**, cups, baby bottles **1500** or liquid containers can be sent to a cloud based data collection/storage system that the user can access via a dashboard interface on an electronic device (e.g., a mobile electronic device, a desktop computer, etc.). In one embodiment, the cloud could be local, where the user's mobile phone, PDA, tablet computer, etc., can link to a router and can then be used to send instructions to and receive information from the one or more plates **100**, bowls, serving dishes, mugs **400**, travel mugs **600**, **1700A**, **2000**, **2100**, **2400**, cups, baby bottles **1500** or liquid containers. Accordingly, in one embodiment, the electronic device (e.g., mobile electronic device, desktop computer) could communicate with the one or more plates **100**, bowls, serving dishes, mugs **400**, travel mugs **600**, **1700A**, **2000**, **2100**, **2400**, cups, baby bottles **1500** or liquid containers, without using the internet.

[0231] In one embodiment, the information stored on the cloud can be communicated to social networking sites, e.g., by the user, to share information (e.g., progress in reducing coffee intake, or sharing the user's favorite type of coffee or tea drinks, or the user's daily coffee or tea drinking habits, etc.) with the user's social network.

5

#### RFID Tag

[0232] In one embodiment, the cup, mug, travel mug or liquid container can have an RFID tag. In this embodiment, user data can be transmitted via the RFID tag to an RFID reader at a coffee shop, tea shop, coffee café, café, grocery store, food & beverage location, or other retail location. The RFID tag can communicate certain data, such as the user's favorite coffee or tea drink, or the user's drinking habits, or what coffee and/or tea shops the user has visited, or what other retail locations the user has visited, or what temperature the user prefers to keep his or her coffee or tea drink. In another embodiment, the RFID tag within the cup, mug, travel mug or liquid container can be used to pay for the beverage, food or merchandise that the user chooses to purchase. In this embodiment, the RFID tag within the cup, mug, travel mug or liquid container can communicate with an RFID reader of the coffee shop, tea shop, coffee café, café, grocery store, food & beverage location or other retail location, and can communicate the user's identification information, or account information, or credit card information, or bank account information, or credit account information (e.g. such as a coffee shop credit account or coffee shop pre-paid account, or a credit account or pre-paid account of another suitable type). In this embodiment, the user can use his or her cup, mug, travel mug or liquid container to pay for food, beverage or other merchandise. In another embodiment, the RFID tag within the cup, mug, travel mug or liquid container can be used as part of a customer loyalty rewards program. As an example, the coffee shop, tea shop, café, grocery store, food & beverage location or other retail location can reward the user a free cup of coffee or tea for every **10** cups of coffee or tea that the user purchases. Each time the user purchases a cup of coffee or tea, the RFID tag can communicate said information to an RFID reader, or the purchasing data can be stored on the RFID tag, or within other data storage circuitry inside the cup, mug, travel mug or liquid container, or on a cloud based data storage

system, or a local or remote data storage system. Although the example given above states one free cup of coffee or tea for every ten cups of coffee or tea purchased, other rewards programs can be used (e.g. food, beverage, merchandise, rewards points, reward dollars, dollars, currency, etc. can be extended to the customer in exchange for total amount of coffee or tea consumed or purchased by the customer, or certain types of coffee or tea purchased by the customer, or a reward points system, or other beverages purchased, or total amount of dollars spent, or number of times per day, month, or year the customer makes purchases, or any other suitable rewards program can be used). In one embodiment, the reward points, or rewards dollars, or other reward program information can be displayed on the user's cup, mug, travel mug or liquid container via a display screen or can be displayed on the user's mobile electronic device, or cell phone, or tablet or on the cloud, or on the user's dashboard, or on a website or on a mobile phone or tablet application, etc. In another embodiment, the RFID tag within the cup, mug, travel mug or liquid container can communicate information to an RFID reader within a coffee shop, tea shop, coffee café, café, grocery store, food & beverage location or other retail location for the purposes of accumulating data that can be used to calculate the approximate or exact amount of paper cups or disposable cups not used or number of trees saved, etc. In this embodiment, as an example, when the user uses his or her cup, mug, travel mug or liquid container to consume a purchased beverage, a disposable cup has been saved (i.e. not used). This user data can be collected and can be transmitted via the RFID tag and ultimately can be displayed on the user's cup, mug, travel mug or liquid container via a display screen or can be displayed on the user's mobile electronic device, or cell phone, or tablet, or on the user's internet dashboard, or on a website or on a mobile phone or tablet application, or on a social media website or app, or on a screen inside or outside the coffee shop, tea shop, coffee café, café, grocery store, food & beverage location or other retail location, etc. (e.g. total number or approximate total number of trees saved, or total number of disposable cups saved or not used, or total carbon footprint offset, or other suitable green or eco initiative information). In this embodiment, the information can be single user information (e.g. how many disposal cups the user has independently saved) or the data collection can be cumulative and can include data from a group of users or all users, etc.

(e.g., total number or approximate total number of disposable cups saved, or trees saved, or carbon footprint offset, across all users of said RFID tag enabled cups, mugs, travel mugs or liquid containers). In another embodiment, the user's data can be collected and displayed directly on a screen of the user's cup, mug, travel mug or liquid container or can be displayed  
5 on a screen of the user's mobile phone or mobile electronic device via Bluetooth pairing (e.g. how many disposal cups the user has independently saved or the number of trees saved, or total carbon footprint offset, etc.) and in this embodiment the use of transmitted user data (e.g. RFID tag) would not be necessary. Although the embodiments described in this paragraph use an RFID tag and RFID reader to communicate data, other suitable methods of  
10 wireless communication can be used to transmit said data (e.g. the cup, mug, travel mug or liquid container can communicate said data via a WiFi connection, or via a Bluetooth radio, or via ZigBee radio, or via near field communication NFC, or any other suitable RF, Infrared or ultrasound transmitter or receiver). In one embodiment, multiple stages of communications can lead to the data arriving in a targeted location (e.g. a Bluetooth radio of  
15 the cup, mug, travel mug or liquid container can transmit certain data to a mobile electronic device (via Bluetooth pairing) and the mobile electronic device can relay or transmit said data to the internet via its cellular or WiFi connection to the internet).

**[0233]** In another embodiment, the data described in this paragraph above can be transmitted to the coffee shop, tea shop, coffee café, café, grocery store, food & beverage  
20 location or other retail location via a QR code that is displayed on a screen of the user's cup, mug, travel mug or liquid container (e.g. the user can pay for beverage, food or merchandise via the use of a QR code that is displayed on a screen of the user's cup, mug, travel mug or liquid container, or a user can transmit reward points information, or identification information, or any other information, as outlined in this paragraph above, via a QR code on  
25 a screen of the user's cup, mug, travel mug or liquid container). In another embodiment, said QR code can be displayed on a mobile phone, or mobile electronic device via a wireless transmission of data from the cup, mug, travel mug or liquid container to the user's mobile phone or mobile electronic device. Although the embodiment described in this paragraph

utilizes a QR code, in other embodiments another graphic or symbol or barcode can be used instead of a QR code.

[0234] In one embodiment, the wireless remote control or mobile electronic device can display the temperature of the liquid that is within the cup, mug **400**, travel mug **600** or liquid container (e.g., sensed by the one or more temperature sensors in the cup, mug **400**, travel mug **600** or liquid container). In one embodiment, the wireless remote control or mobile electronic device can display the liquid level within the cup, mug **400**, travel mug **600** or liquid container (e.g., sensed by the one or more liquid level sensors in the cup, mug **400**, travel mug **600** or liquid container). In another embodiment, the wireless remote control or mobile electronic device can display the temperature of the food that is on the plate **100**, **800**, **900** or serving dish or the temperature of the food or soup within the bowl (e.g., sensed by the one or more temperature sensors **820A-820D**, **920**).

[0235] The wireless remote control or mobile electronic device can be used by the user to communicate instructions to the one or more plates **100**, bowls, serving dishes, mugs **400**, travel mugs **600**, cups or liquid containers with which the wireless remote control or mobile electronic device communicates (e.g., via the cloud) or is paired or associated with (e.g., via Bluetooth, via near field communication system, via WiFi, etc.). For example the user can operate the wireless remote control or mobile electronic device to turn on or off one or more heating or cooling elements **60**, **60'** in a plate **100**, **100'**, bowl or serving dish, cup, mug, travel mug, or liquid container or a set of plates **100**, **100'**, bowls or serving dishes, cups, mugs, travel mugs or liquid containers (e.g., turn on or off a plurality of heating or cooling elements **60**, **60'** associated with different sections of the plate **100**, **100'**, bowl or serving dish or set of plates **100**, **100'**, bowl or serving dishes), which would advantageously allow operation of a large number of plates, cups, mugs, serving dishes, etc., at the same time, for example by a catering company; to provide temperature setpoints for different sections of the plate **100**, **100'**, bowl or serving dish, or cup, mug, travel mug, or liquid container or plates **100**, **100'**, bowl or serving dishes, or cups, mugs, travel mugs, or liquid containers; to set times (e.g., for how long one or more of the heating or cooling elements **60**, **60'** is to operate); or to set limited function mode features, as described further below.

However, the wireless remote control or mobile electronic device can be used to provide instructions to the one or more plates **100**, bowls, serving dishes, mugs **400**, travel mugs **600**, cups or liquid containers to control any operational parameter (e.g. temperature mode). Such functionality advantageously allows the user to control the one or more plates **100**, bowls, serving dishes, mugs **400**, travel mugs **600**, **1700A**, **2000**, **2100**, **2400**, cups or liquid containers (e.g., chilled drinkware, such as beer mugs **1600**) remotely. For example, if a user left the actively heated or cooled travel mug in his or her car, the user could turn off operation of the travel mug remotely via their smartphone or tablet computer or laptop computer, etc.

[0236] Though the wireless communication via the cloud, Bluetooth, WiFi, or near field communication system disclosed above may be described in connection with a mug **400**, travel mug **600**, **1700A**, **2000**, **2100**, **2400** or liquid container (such as a beer mug **1600** or baby bottle **1500**), one of skill in the art will recognize that it can also apply to any liquid container, drinkware, dishware or serverware (e.g., bowl, serving dish, hot plate), including the plate **100**, **800**, **800'**, **900**, **1100**, **1300**, **1400**, bread basket **2200**, tortilla warmer **2300**, and the scope of disclosure and the invention is understood to cover such liquid containers, drinkware, dishware and serverware.

[0237] In one embodiment, the one or more plates **100**, bowls, serving dishes, mugs **400**, travel mugs **600**, cups or liquid containers can have a color-mixing LED indicator as a visual indicator which can be adjusted to an individual color (e.g., one user's plate can have a pink glowing indicator, another user's plate can have a blue glowing indicator), allowing the users to identify their specific plate **100**, bowl, serving dish, mug **400**, travel mug **600**, cup or liquid container paired with their individual remote control or mobile electronic device. In another embodiment, each of the one or more plates **100**, bowls, serving dishes, mugs **400**, travel mugs **600**, cups or liquid containers can have a digital readout, allowing each user to have an identifier displayed (e.g., a name, numerical identifier, symbol, unique marking). In another embodiment, the plates **100**, bowls, serving dishes, mugs **400**, travel mugs **600**, cups or liquid containers can be sold in a multi-piece set or as individual unique units with a permanent identifier marking (e.g. logo, sticker, number, letter, icon, housing shape, housing color, a colored portion of the housing, glowing colored light, name

or any other suitable identifier marking) so that the individual user can pair to their unique plate **100**, bowl, serving dish, mug **400**, travel mug **600**, cup or liquid container. In another embodiment, the individually marked plates **100**, bowls, serving dishes, mugs **400**, travel mugs **600**, cups or liquid containers can all be controlled together or in groups via a wireless remote or mobile electronic device.

**[0238]** As discussed above, the one or more plates **100**, bowls, serving dishes, mugs **400**, travel mugs **600**, cups or liquid containers (e.g. beer mugs **1600**, coffee carafes, baby bottles **1500**) can have a user interface, such as a digital screen, that can display operational information (e.g., temperature, liquid level, battery charge level) as well as information communicated to the one or more plates **100**, bowls, serving dishes, mugs **400**, travel mugs **600**, cups or liquid containers (e.g., from the cloud or via Bluetooth from a mobile electronic device). FIGS. **35-37** show one embodiment of a travel mug **1700A** with a user interface **1710A**. The travel mug **1700A** can have a structural arrangement and heating or cooling system similar to the one described herein for the mug **400**, travel mug **600**, **2000**, **2100**, **2400**. In the illustrated embodiment, the user interface **1710A** can be a digital screen (e.g., LCD screen). The user interface **1710A** can display operational information (e.g., temperature, liquid level, battery charge level) of the travel mug **1700A** (e.g., operational information communicated from the electronic module to the user interface **1710A**), and optionally, can also display information communicated wirelessly **W** to the travel mug **1700A** from an electronic device, such as a mobile electronic device **1750A** (see FIG. **37**) or from the internet via a WiFi connection. As discussed above, in one embodiment, information can be communicated via the cloud. In another embodiment, as illustrated in FIG. **37**, the mobile electronic device **1750A** can communicate with the travel mug **1700A**, as an example via a Bluetooth connection, where the mobile electronic device **1750A** can be paired with one or more travel mugs **1700A**. In one embodiment, the travel mug **1700A** can receive information (e.g., via the cloud, via Bluetooth) such as time, date, financial information (e.g., stock information), weather information such as expected high and low temperature for the day, personal information (e.g., appointments from calendar, birthday reminders, information from social networking sites) and displays the information on the user interface **1710A**. In one

embodiment, as discussed previously, the user can input instructions via the user interface **1710A** (e.g., change beverage temperature set point, change the heating or cooling system setting between, for example, a variety of power modes, a sleep mode, an on mode or an off mode).

5           **[0239]**     In one embodiment, the user interface **1710A** (e.g., digital screen) can go into sleep mode, for example, if motion of the travel mug **1700A** (or of the plate, cup, mug, baby bottle or liquid container with said user interface) is not detected after a certain period of time, in order to preserve energy (e.g., battery power). In one embodiment, the user interface **1710A** (e.g., digital screen) can be “woken up” by moving or shaking the travel mug  
10 **1700A** (or of the plate, cup, mug, baby bottle, or liquid container with said user interface), which can cause a motion sensor (e.g., gyroscope, tilt sensor, such as those disclosed above) to send a signal to the electronic module to power-on the user interface **1710A**. In another embodiment, the user interface **1710A** (e.g., digital screen) can be “woken up” via a gesture sensor (as discussed herein), where the user can wave a hand in front of the sensor or near the  
15 sensor, which can then send a signal to the electronic module to power-on the user interface **1710A**. In other embodiments, sensors other than a gesture sensor can be used to sense a motion by the user, such as a motion sensor, infrared sensor, which can sense motion (e.g., the user approaching the travel mug **1700A**, or the plate, cup, mug, baby bottle or liquid container, etc.). In still another embodiment, the user interface **1710A** (e.g., digital screen)  
20 can be “woken up” via a contact sensor that can sense when the user touches the travel mug **1700A** (or the plate, cup, mug, baby bottle or liquid container, etc.) and communicates a signal to the electronic module to power-on the user interface **1710A**. In yet another embodiment, the user interface **1710A** (e.g., digital screen) can be “woken up” via a push button switch or other type of switch.

25           **[0240]**     Though the communication with the user interface disclosed above may be described in connection with a travel mug **1700A**, one of skill in the art will recognize that it can also apply to any liquid container, drinkware, dishware or serverware (e.g., bowl, serving dish, hot plate), including the plate **100**, **800**, **800**, **900**, **1100**, **1300**, **1400**, cup, mug **400**, travel mug, **600**, **2000**, **2100**, **2400**, beer mug **1600**, baby bottle **1500**, bread basket **2200**,

tortilla warmer **2300**, and the scope of disclosure and the invention is understood to cover such liquid containers, drinkware, dishware and serverware.

**[0241]** In another embodiment, the one or more plates **100**, bowls, serving dishes, mugs **400**, travel mugs **600, 1700A, 2000, 2100, 2400**, cups or liquid containers (such as a  
5 beer mug **1600** or baby bottle **1500**) can have a gesture sensor, which can allow the user to control operation of the plate **100**, bowl, serving dish, mug **400**, travel mug **600, 1700A, 2000, 2100, 2400**, cup or liquid container (e.g., beer mug **1600**, baby bottle **1500**) with one or more gestures (e.g., of the user's face, eyes, arms, hands or fingers).

**[0242]** Though the wireless control disclosed above may be described in  
10 connection with a plate **100**, mug **400** or travel mug **600, 1700A, 2000, 2100, 2400**, one of skill in the art will recognize that it can also apply to any liquid container, drinkware, dishware or serverware (e.g., bowl, serving dish, hot plate, cup and/or liquid container), including the plate **100', 800, 800', 900, 1100, 1300, 1400**, beer mug **1600** or baby bottle **1500**, bread basket **2200**, tortilla warmer **2300**, and the scope of disclosure and the invention  
15 is understood to cover such liquid containers, drinkware, dishware and serverware.

**[0243]** In one embodiment, the one or more plates **100**, bowls, serving dishes, mugs **400**, travel mugs **600, 1700A, 2000, 2100, 2400**, cups or liquid containers (e.g., chilled drinkware, baby bottle **1500**) can communicate (e.g., via WiFi or ZigBee or the cloud or Bluetooth, etc.) with one or more electronic devices (e.g., mobile electronic devices such as  
20 mobile telephones, PDAs, tablet computers, laptop computers or electronic watch or desktop computers). In one embodiment, the one or more cups, mugs **400**, travel mugs **600, 1700A, 2000, 2100, 2400** or liquid containers (e.g., chilled drinkware such as beer mug **1600**, baby bottles **1500**) can send an alert (e.g., visual signal, auditory signal, worded message) to the electronic device when the liquid level in the cup, mug **400**, travel mug **600, 1700A** or liquid  
25 container reaches a predetermined level or set point (as sensed by the one or more liquid sensors) so that the person with the electronic device (which could be the user or a different person) can know that it's time to replenish the liquid (e.g., water, coffee, tea, beer, alcohol) in the one or more cups, mugs, travel mugs or liquid containers (e.g., chilled drinkware, such as beer mugs, baby bottles, etc.). In one example, this can advantageously allow the user or

their assistant to replenish the drinks in the one or more cups, mugs, travel mugs or liquid containers in an efficient manner and without unduly interrupting the holder of the cup, mug, travel mug or liquid container. For example, when used in a boardroom environment, the drinks can be replenished without unduly interrupting a meeting. In another embodiment, where in a bar or restaurant environment, this can advantageously allow the waitress/waiter or barkeep to efficiently replenish drinks without having to constantly monitor the user of the cup, mug, travel mug or liquid container to see if they are in need of a refill (e.g., water, soft drink, coffee, tea, alcohol, such as beer, etc.).

[0244] In another embodiment, when the liquid level in the one or more cups, mugs, travel mugs or liquid containers reaches a predetermined level or set point (as discussed above), an alert can be sent to a mobile electronic device (of the user, of a third person, etc.) and the mobile electronic device can access a navigation application to locate the nearest location (e.g., coffee shop, convenience store, restaurant) where the user can replenish the liquid in their cup, mug, travel mug or liquid container.

[0245] In one embodiment, discussed above, the one or more cups, mugs, travel mugs or liquid containers can be in wireless communication with an automobile or vehicle and the one or more cups, mugs, travel mugs or liquid containers (e.g., chilled drinkware, baby bottles) can communicate (e.g., via Bluetooth) with the automobile or vehicle to provide the information discussed in the embodiments above (e.g., volume of liquid left or liquid level, liquid temperature, battery charge level). The automobile's or vehicle's communication system can be used to provide said information to the user via the user interface on the vehicle. In one embodiment, the user can also control the operation of the one or more cups, mugs, travel mugs or liquid containers via the vehicle's user interface (e.g., via touch controls or voice activated controls). In one embodiment, when the liquid level within the cup, mug, travel mug or liquid container drops below a predetermined level, the vehicle's user interface can provide information on nearby locations (e.g., coffee shops, convenience stores, gas stations, restaurants) where the user can replenish the liquid in the cup, mug, travel mug or liquid container.

[0246] Though the alert notification based on liquid or food level disclosed above may be described in connection with a cup, mug **400**, travel mug **600**, **1700A**, **2000**, **2100**, **2400** or liquid container, one of skill in the art will recognize that it can also apply to any liquid container, drinkware, dishware or serverware (e.g., bowl, serving dish, hot plate), including the plate **100'**, **800**, **800'**, **900**, **1100**, **1300**, **1400**, baby bottle **1500**, beer mug **1600**, bread basket **2200**, tortilla warmer **2300**, and the scope of disclosure and the invention is understood to cover such liquid containers, drinkware, dishware and serverware.

#### Sensing Boldness of Liquid

10 [0247] In one embodiment, the one or more cups, mugs, travel mugs or liquid containers (e.g., chilled drinkware or baby bottles) can include one or more quality sensors that can sense a quality of the liquid contained therein, such as the boldness (e.g., of coffee or tea), flavor, acidity, etc. In one embodiment, the one or more quality sensors can be visual sensors, light sensors, ultrasound sensors, pH sensors, taste sensors, or other suitable types of  
15 sensors. In one embodiment, the one or more drink quality sensors can sense the quality (e.g., boldness, flavor, acidity) of the drink in the one or more cups, mugs, travel mugs or liquid containers and communicate the sensed information to the electronic module, which can communicate the information to the user via a user interface on the cup, mug, travel mug or liquid container (e.g., chilled drinkware or baby bottle), or communicate the information  
20 wirelessly to an electronic device (e.g., mobile electronic device such as a smart phone, PDA, tablet computer; desktop computer, etc.), either via the cloud, as discussed above, or via a wireless connection (e.g., Bluetooth). The drink quality information can be communicated on a display screen or in the form of a verbal message, a text message, a visual message, a meter, a visual signal (e.g., glowing or blinking lights), an auditory signal or other suitable signals.  
25 In one embodiment, the quality sensor can be used to communicate boldness information on coffee in the one or more cups, mugs, travel mugs or liquid containers. In another embodiment, the quality sensor can be used to communicate information to the user when a tea bag steeping process is completed.

[0248] Though the quality sensor disclosed above may be described in connection with a mug **400**, travel mug **600**, **1700A**, **2000**, **2100**, **2400** or liquid container, one of skill in the art will recognize that it can also apply to any liquid container, drinkware, dishware or serverware (e.g., bowl, serving dish, hot plate), including the plate **100'**, **800**, **800'**, **900**,  
5 **1100**, **1300**, **1400**, baby bottle **1500**, beer mug **1600**, bread basket **2200**, tortilla warmer **2300**, etc. and the scope of disclosure and the invention is understood to cover such liquid containers, drinkware, dishware and serverware.

[0249] In one embodiment, the cup, mug, travel mug or liquid container can have a timer feature which can be set and or activated by the user or by a third party (e.g. an  
10 employee of a coffee shop). Said timer feature can alert the user as to when the tea bag steeping process is complete. The alert can be an audible sound, a notification on a display screen, a notification or audible sound on the user's mobile electronic device or mobile phone, or any other suitable means of notifying the user).

#### 15 Vacuum Sealed Mug

[0250] FIG. **39** shows one embodiment of a travel mug **2000**, such as a travel coffee mug, that can incorporate some of the same features described above with respect to the mug **400**, cup, travel mug **600**, **1700A** or liquid container. In the illustrated embodiment, the travel mug **2000** has an outer circumferential wall **2010**, a handle **2012** and a bottom  
20 portion **2040**, where the bottom portion **2040** can, in one embodiment, be removably attached to the distal end of the outer circumferential wall **2010**. In the illustrated embodiment, the travel mug **2000** has an inner circumferential wall **2020** that extends from a proximal portion **2022** to a base **2026**. The inner circumferential wall **2020** defines a chamber **2018** (e.g., receiving portion or cavity) for holding a liquid (e.g., coffee, tea). The travel mug **2000** can  
25 in on embodiment be sized to fit in a standard diameter cup holder (e.g., in an automobile, theatre). Additionally, the travel mug **2000** can be sized (e.g., have a height) to allow it to fit in a drawer (e.g., top drawer) of a dishwasher rack, such that the travel mug **2000** can be placed upside down in the dishwasher for cleaning in a generally vertical orientation. In one

embodiment, the travel mug **2000** can hold about **16** ounces of liquid. However, other liquid containment sizes can be used (e.g., **12 oz.**, **24 oz.**, etc.).

**[0251]** The inner circumferential wall **2020** can attach at its proximal portion **2022** to a proximal end **2012a** of the outer circumferential wall **2010**. The inner circumferential wall **2020** is shaped relative to the outer circumferential wall **2010** so as to define an annular gap **2028** between the inner circumferential wall **2020** and the outer circumferential wall **2010**. Additionally, the base **2026** of the inner circumferential wall **2020** is spaced apart from the bottom portion **2040** so as to define a cavity **2030** therebetween, where the cavity **2030** is walled off or separated from the annular gap **2028**. A cover **2070** can be removably disposed over the opening in the inner circumferential wall **2020** to substantially seal the top of the cavity or liquid receiving portion **2018**.

**[0252]** The travel mug **2000** can have a heating or cooling system **2055**, similar to heating or cooling systems disclosed herein, such as for the mug **400**, travel mug **600**, plate **100** (e.g., a system that can have one or more Peltier elements that can operate in heating and cooling modes to selectively provide heating and cooling to the liquid in the travel mug **2000**), though for simplicity the heating elements of the heating or cooling system have been excluded from FIG. **39**. In one embodiment, the heating or cooling system **2055** can include one or more energy storage devices **2080** and an electronic module **2090**, where these components can be arranged and connected in the same manner described above in connection with the heated or cooled plate **100**, bowl or serving dish and heated or cooled mug **400**, travel mug **600**, cup or liquid container. One or more heating or cooling elements (not shown) can be disposed adjacent the inner wall **2020** (e.g., along at least a portion of the height of the inner wall **2020**), such as in contact with an outer surface **2020a** of the inner circumferential wall **2020** to thereby provide heating or cooling to the liquid in the chamber or cavity **2018**.

**[0253]** The electronic module **2090** can be attached to the bottom portion **2040** and can include one or more of a wireless power receiver **2092** (e.g., that can receive power from an inductive coupling transmitter in a charging base, such as charging base **700**, or a charging pad, such as one embedded in a table as discussed herein), control circuitry **2094**

(e.g., controller circuit, microcontroller, etc.) and a charger **2096** (e.g., charging circuit) for charging the one or more energy storage devices **2080**. The electronic module **2090** can include a MCU with capacitive sensing and graphic control features. The control circuitry **2094** can operate to manage the power delivered to the one or more heating or cooling elements. The control circuitry **2094** can also be used to manage the charging of the one or more energy storage devices **2080**.

[0254] In one embodiment, the wireless power receiver **2092** is electrically connected to the battery charger **2096**, which is electrically connected to the energy storage devices **2080** that in turn are electrically connected to the heating or cooling elements. In another embodiment, where energy storage devices **2080** are excluded, the wireless power receiver **2092** can be electrically connected to the heating or cooling elements.

[0255] In one embodiment, the bottom portion **2040** can be removably attached to the travel mug **2000** to allow access to the heating or cooling system **2055** in the cavity **2030**. For example, the bottom portion **2040** can be mechanically coupled to the travel mug **2000**, (e.g., with screws, a threaded interface between the bottom portion **640** and travel mug **600**, a press-fit connection). The bottom portion **2040** can be removed to allow the replacing of the one or more energy storage devices **2080** and the servicing of the heating or cooling system **2055**. In one embodiment, the bottom portion **2040** can be a water resistant lid that can be removably attachable (e.g., threaded on or screwed) to the travel mug **2000**, cup or liquid container for accessing the heating or cooling system **2055**. In another embodiment, the bottom portion **2040** can be a water resistant lid that can be removably attachable (e.g., threaded on or screwed) to the travel mug **2000**, cup or liquid container for accessing the one or more energy storage devices **2080**. In yet another embodiment, the energy storage devices **2080** can be in a pack that is attached (e.g., threaded snap fit, screwed down) onto the bottom or side of the travel mug **2000**, where the pack's electrical contacts connect with a set of electrical contacts on the bottom or side of the travel mug **2000**, cup or liquid container.

[0256] With continued reference to FIG. 39, the travel mug **2000** is a double walled unit with the inner wall **2020** and the outer wall **2010**. In one embodiment, the travel mug **2000** can be vacuum sealed, such that a vacuum exists in the gap **2028**. In another

embodiment, the travel mug **2000** need not be vacuum sealed, but can have the double wall structure separated by the gap **2028**. In the illustrated embodiment, one or more spacers **2098** interconnects the base **2026** of the inner wall **2020** and the inner surface **2010a** of the outer wall **2010**. In one embodiment, the one or more spacers **2098** can be of a thermally  
5 conductive material (e.g., aluminum, copper). The one or more spacers **2098** can advantageously provide a thermal bridge to transfer heat from the cavity **2018** to the outer wall **2010a**. In one embodiment, the inner wall **2020** and surface **2010a** are part of a single piece (e.g., monolithic piece) that can be inserted into the body of the travel mug **2000**.

[**0257**] A temperature sensor (e.g., thermistor, thermostat) can be connected to the  
10 outer wall **2010a** and can be in thermal communication with the one or more spacers **2098** to thereby provide a temperature reading of the temperature in the cavity **2018**. The temperature sensor can communicate with the electronic module **2090**, which can communicate the sensed temperature information as discussed herein (e.g., communicate it to a user interface of the travel mug **2000**, communicate it to an electronic device, such as a mobile electronic  
15 device, via the cloud or a near field communication system). This embodiment advantageously allows obtaining of temperature information from the cavity **2018** in a double walled travel mug **2000** (e.g., a vacuum sealed mug) without the need to extend wiring through a vacuum chamber in the gap **2028**.

[**0258**] In another embodiment, the one or more spacers **2098** can alternatively (or  
20 additionally) serve as a sound bridge and allow the sensing of liquid volume or level within the cavity **2018**. For example, a sound generator (e.g., an ultrasound generator) can be coupled to the outer wall **2010** adjacent one of the one or more spacers **2098** and generate a signal (e.g., a vibration signal) that can be communicated into the liquid in the cavity **2018** via the spacer **2098**. A microphone (e.g., an ultrasound microphone) can be coupled to the  
25 outer wall **2010** adjacent another of the one or more spacers **2098** and communicate a signal to the electronic module **2090**, which could determine a volume (or level) of liquid in the cavity **2018** based on a comparison of the frequency of the signal generated by the sound generator and the frequency received by the microphone. In another embodiment an ultrasound sensor can be used where the speaker and microphone are part of one sensor

device, and that sensor device can be coupled to an outer wall of the vacuum sealed chamber, in close proximity to or in audible communication with the spacer **2098**.

[0259] In another embodiment, where the spacer **2098** is excluded, a temperature sensor (e.g., thermistor, thermostat), or ultrasound sensor, can be coupled to the outer surface of the base **2026** and one or more wires run through the outer wall **2010** with an air-tight seal (if the travel mug is vacuum sealed) or non-airtight seal (if the travel mug is not vacuum sealed) between the dual wall unit to thereby provide temperature and/or liquid level or volume information from the cavity **2018** to the electronic module **2090**.

[0260] FIG. **40** shows another embodiment of a travel mug **2100**. The travel mug **2100** is similar to the travel mug **2000** and can include many of the same features. As such, similar features in the travel mug **2100** and travel mug **2000** have similar numerical identifiers, except that the identifier for the feature in the travel mug **2100** is prefaced by “**21**” instead of “**20**”. The description below therefore focuses on the features of the travel mug **2100** that differ from the travel mug **2000**.

[0261] The travel mug **2100** can be a double walled unit with an inner wall **2120** and an outer wall **2110**. The base **2126** of the inner wall **2120** can have one or more portions **2126c** that can contact one or more portions **2110c** of a base **2110b** of the outer wall **2110**. A temperature sensor (e.g., thermistor, thermostat) can be connected to the one or more portions **2110c** of the base **2110b** to thereby provide a temperature reading of the temperature in the cavity **2118**. The temperature sensor can communicate with the electronic module **2190**, which can communicate the sensed temperature information as discussed herein (e.g., communicate it to a user interface of the travel mug **2100**, communicate it to an electronic device, such as a mobile electronic device, via the cloud or a Bluetooth connection). This embodiment advantageously allows obtaining of temperature information from the cavity **2118** in a double walled travel mug **2100** (e.g., a vacuum sealed mug) without the need to extend wiring through a vacuum chamber in the gap **2128** and without the use of a spacer between the inner wall **2120** and the outer wall **2110a**. In one embodiment, the inner wall **2120** and surface **2110a** are part of a single piece (e.g., monolithic piece) that can be inserted into the body of the travel mug **2100**.

[0262] In another embodiment, the contact between the one or more portions 2126c of the inner wall 2100 and one or more portions 2110c of the outer wall 2110 can alternatively (or additionally) serve as a sound bridge and allow the sensing of liquid volume or level within the cavity 2118. For example, a sound generator (e.g., an ultrasound generator) can be coupled to the outer surface of the outer wall 2110c adjacent one of said contacting one or more portions 2126c of the inner wall 2126 and one or more portions 2110c of the outer wall 2110b and generate a signal (e.g., a vibration signal) that can be communicated into the liquid in the cavity 2118. A microphone (e.g., an ultrasound microphone) can be coupled to an outer surface of the outer wall 2110c adjacent another of said contacting one or more portions 2126c of the inner wall 2126 and one or more portions 2110c of the outer wall 2110b and communicate a signal to the electronic module 2190, which could determine a volume (or level) of liquid in the cavity 2118 based on a comparison of the frequency of the signal generated by the sound generator and the frequency received by the microphone.

[0263] In still another option, not shown, the one or more portions 2126c can have an opening defined by an edge that can be coupled (e.g., welded) to the one or more portions 2110c of the outer wall 2110b such that the temperature or liquid volume/level sensors can be attached to an outer surface of the outer wall 2110b and so their signals need only pass through the single wall.

[0264] Though the temperature and/or liquid sensing disclosed above may be described in connection with a travel mug 2000, 2100, one of skill in the art will recognize that it can also apply to any liquid container, drinkware, dishware or serverware (e.g., bowl, serving dish, hot plate), including the plate 100', 800, 800', 900, 1100, 1300, 1400, cup, mug 400, travel mug 600, 1700A, 2400, beer mug 1600, baby bottle 1500, bread basket 2200, tortilla warmer 2300, etc. and the scope of disclosure and the invention is understood to cover such liquid containers, drinkware, dishware and serverware.

### Bread Basket

[0265] FIG. 41 shows a bread basket **2200** that can include many of the features discussed above with respect to the plate **100**, bowl, serving dishes, mugs **400**, travel mugs **600**, **1700A**, **2000**, **2100**. In particular, the bread basket **2200** or bread warmer device can include a heating system (not shown), which can include one or more heating elements, an electronic module (including a wireless power receiver, control circuitry and/or charging circuitry), and one or more sensors to sense operating parameters of the heating system and the temperature of the bread basket. In one embodiment, the bread basket or bread warmer can have a heating system (e.g. one or more heating elements), one or more power storage elements (e.g. battery or capacitor) and a thermostat circuit (or can exclude a thermostat circuit). In this embodiment, the one or more power storage elements within the bread basket or bread warmer can be charged via inductive coupling, or other wireless power configurations, or via electrical contacts on the bread basket or bread warmer, or via a connection cable, or the one or more power storage elements can be removable and charged on a charging station. In another embodiment, the power storage elements can be excluded. In this embodiment, the bread warmer or bread basket can receive power via wireless power or via electrical contacts or a connection cable and can use said power to activate one or more heating elements within the bread warmer or bread basket. This embodiment can be used to pre-heat the bread basket or bread warmer, or the electrical connection can be maintained and the bread basket or bread warmer can stay actively heated while the bread is being served. A thermostat circuit can also be used, optionally, within this embodiment. The operation of the heating system in the bread basket **2200** or bread warmer can be similar to that disclosed herein for other embodiments (e.g., the plate **100**; bowl; serving dish; mugs **400**; travel mugs **600**, **1700A**, **2000**, **2100**; beer mug **1600**, etc.).

25

### Tortilla Warmer

[0266] FIG. 42 shows a tortilla warmer **2300** that can have a container **2310** and a cover **2320** and can include many of the features discussed above with respect to the plate **100**, bowl, serving dishes, mugs **400**, travel mugs **600**, **1700A**, **2000**, **2100**. In particular, the

tortilla warmer **2300** can include a heating system (not shown), which can include one or more heating elements, an electronic module (including a wireless power receiver, control circuitry and/or charging circuitry), and one or more sensors to sense operating parameters of the heating system and the temperature of the tortilla warmer. In one embodiment, the tortilla warmer can have a heating system (e.g. one or more heating elements), one or more power storage elements (e.g. battery or capacitor) and a thermostat circuit (or can exclude a thermostat circuit). In this embodiment, the one or more power storage elements within the tortilla warmer can be charged via inductive coupling, or other wireless power configurations, or via electrical contacts on the tortilla warmer, or via a connection cable, or the one or more power storage elements can be removable and charged on a charging station. In another embodiment, the power storage elements can be excluded. In this embodiment, the tortilla warmer can receive power via wireless power or via electrical contacts or a connection cable and can use said power to activate one or more heating elements within the tortilla warmer. This embodiment can be used to pre-heat the tortilla warmer, or the electrical connection can be maintained and the tortilla warmer can stay actively heated while the tortillas are being served. A thermostat circuit can also be used, optionally, within this embodiment. The operation of the heating system in the tortilla warmer **2300** can be similar to that disclosed herein for other embodiments (e.g., the plate **100**; bowl; serving dish; mugs **400**; travel mugs **600, 1700A, 2000, 2100**; beer mug **1600**, etc.).

20

#### Electric Hand Warmer

[0267] FIG. **43** shows one embodiment of a mug **2400** with an electric hand warmer **2410**. The mug **2400** can have some or all of the same features as discussed above for the mug **400**, or travel mug **600, 1700A, 2100, 2200**, including a heating or cooling system with one or more heating or cooling elements, an electronic module (with a wireless power receiver, control circuitry, and optionally charging circuitry), and optionally one or more power storage devices (e.g., batteries, capacitors). In the illustrated embodiment, the hand warmer **2410** can have one or more heating elements **2412** on an outer surface **2414** of the mug **2400** or a handle (not shown) of the mug **2400**, where the one or more heating

elements **2412** (e.g., heater wire, thermoelectric elements, resistive heaters, etc.) can be activated (e.g., selectively activated or automatically activated) to warm an outer surface **2414** of the mug **2400**, so that the user's hands can be warmed as the user holds the mug **2400**. The one or more heating elements **2412** can in one embodiment be distributed around a portion of the outside circumference of the mug **2400** and attached to, coupled to, embedded in or otherwise incorporated in an outer surface **2414** of the mug **2400** (e.g., disposed beneath an outer layer of the mug **2400**). In another embodiment, the one or more heating elements can be elsewhere within the mug or travel mug and can be in thermal communication with an outer surface **2410** of the mug or travel mug (e.g. the heat energy can be conducted to the outer surface from a heat source located anywhere within the mug or travel mug).

**[0268]** In one embodiment, the heat generated from the heating or cooling system within the mug (i.e. the heating or cooling system that actively heats or cools the liquid within the mug or travel mug) can be used to conduct heat to a hand warmer feature (e.g. the heat energy from the heating or cooling system can be conducted to an outer surface **2410** of the mug or travel mug and act as a hand warmer feature). The hand warmer **2410** can in one embodiment be automatically activated (e.g., via the control circuitry of the mug **2400**) when the mug **2400** is used, such as when a liquid is poured into the mug **2400** (e.g., when the presence of liquid is sensed, as discussed in embodiments herein). In another embodiment, the hand warmer **2410** can be selectively actuated (e.g., turned on, off, or to selected temperature set points such as high, medium, low, or a specific temperature) by the user via a user interface (such as the user interface **695**, **1710A**) on the mug **2400**, which communicates the user's instructions to the control circuitry of the mug **2400**. In still another embodiment, the hand warmer **2410** can be selectively actuated (e.g., turned on, off, or to selected temperature set points such as high, medium, low, or a specific temperature) by the user via a user interface on an electronic device (e.g., mobile electronic device such as the mobile phone **1750A**) that communicates with the mug **2400** (e.g., communicates with the control circuitry of the mug **2400**) via the cloud or a Bluetooth connection. In yet another embodiment, a temperature sensor on the mug **2400** (e.g., on an outer surface of the mug **2400**) can sense the ambient temperature and actuate (e.g., automatically actuate via the control circuitry) the

hand warmer **2410** if the sensed ambient temperature is below a predetermined set point or range. In one embodiment, operation of the hand warmer **2410** can be powered by one or more power storage devices (e.g., batteries, capacitors, etc.). In one embodiment, a mug or travel mug can have an electric hand warmer feature, one or more power storage elements (to power the hand warmer) and control circuitry (to turn on or off the hand warmer, or to control certain preset temperature setpoints, etc.). In this embodiment, a user interface can optionally be included, which can allow the user to select certain hand warmer operation modes, or temperature modes, or other settings that effect the operation of the hand warmer feature.

[0269] Though the electric hand warmer disclosed above may be described in connection with a mug **2400**, one of skill in the art will recognize that it can also apply to any liquid container, drinkware, dishware or serverware (e.g., bowl, serving dish, hot plate), including the plate **100**, **800**, **800**, **900**, **1100**, **1300**, **1400**, mug **400**, travel mug **600**, **1700A**, **2000**, **2100**, **2400**, beer mug **1600**, baby bottle **1500**, bread basket **2200**, tortilla warmer **2300**, and the scope of disclosure and the invention is understood to cover such liquid containers, drinkware, dishware and serverware.

#### Chilled Dishware

[0270] In one embodiment, a cup, mug, travel mug, beer mug, beverage container or other liquid container (such as the mug **400**, travel mug **600**, **1700A**, **2000**, **2100**, **2400**, beer mug **1600**) can have one or more thermoelectric elements configured to cool the liquid within the cup, mug, travel mug, beer mug, beverage container or other liquid container, one or more heatsinks thermally coupled to said one or more thermoelectric elements, and an active cooling device (such as a fan, diaphragm, etc.) which can move air across said one or more heatsinks. This airflow can advantageously increase the productivity of the one or more thermoelectric elements and can create a colder beverage temperature within the cup, mug, travel mug, beer mug, beverage container or other liquid container. In one embodiment, the cooling fan can be a water resistant or water proof cooling fan and air flow can be ducted to the location of the heatsink. The use of a waterproof or water resistant cooling fan can enable the creation of a dishwasher safe or water safe cup, mug, travel mug, beer mug, beverage

container or other liquid container. In another embodiment, a water resistant or water proof diaphragm can be used to create said airflow. The cup, mug, travel mug, beer mug, beverage container or other liquid container described in this paragraph can include any of the features described above or below of the plate **100**; bowl; serving dish; mug **400**; travel mug **600**,  
5 **1700A**, **2000**, **2100**; beer mug **1600**, etc. (e.g. power storage elements, wireless communications, wireless power, user-interface, electronics module, etc.).

### Wand

[0271] In one embodiment, the one or more plates **100**, bowls, serving dishes,  
10 mugs **400**, travel mugs **600**, cups or liquid containers can be actuated with a wand **1000** (see Fig. 19) that can be waived over one or more of the plates **100**, bowls, serving dishes, mugs **400**, travel mugs **600**, cups or liquid containers to turn the heating or cooling element **60**, **460**, **660** on or off, or to set a desired temperature or turn on or off other features. For example, when a plurality of plates **100** (or bowls, serving dishes, mugs **400**, travel mugs  
15 **600**, cups or liquid containers) are laid out and arranged on a counter (e.g., kitchen counter) or a table, the wand **1000** can be passed over the plates **100** (or bowls, serving dishes, mugs **400**, travel mugs **600**, cups or liquid containers) to turn the heating or cooling element **60**, **460**, **660** on or off, or to set an operating parameter of the one or more plates **100** (or bowls, serving dishes, mugs **400**, travel mugs **600**, cups or liquid containers), as described below.  
20 The one or more plates **100**, bowls, serving dishes, mugs **400**, travel mugs **600**, cups or liquid containers can have a receiver (e.g., an RF receiver) that can receive a signal (e.g., RF signal) from the wand **1000** as the wand **1000** passes over them. In another embodiment, the wand **1000** can transmit at a certain frequency, or using a magnet or magnetic field that changes a state in the electronics of the one or more plates **100**, bowls, serving dishes, mugs **400**, travel  
25 mugs **600**, cups or liquid containers that can, for example, communicate instructions to the one or more plates **100**, bowls, serving dishes, mugs **400**, travel mugs **600**, cups or liquid containers (e.g., via the electric module **90**, **490**, **690**) to turn on. In one embodiment, the wand **1000** and one or more plates **100**, bowls, serving dishes, mugs **400**, travel mugs **600**, cups or liquid containers can form an inductive loop that when the wand gets close to the

plates **100**, bowls, serving dishes, mugs **400**, travel mugs **600**, cups or liquid containers (e.g., within 3-6 inches, or less than 3 inches, or more than 6 inches), the inductive loop being charged (e.g., RFID passive loop sensing). The RFID loop in the one or more plates **100**, bowls, serving dishes, mugs **400**, travel mugs **600**, cups or liquid containers can be energized when the wand **1000** passes over it, changing the state of the electronics from a first state to a second state to turn the one or more plates **100**, bowls, serving dishes, mugs **400**, travel mugs **600**, cups or liquid containers on, or to turn on a wireless receiver which can then receive a signal from the wand **1000** with a given command (e.g. temperature mode setting, etc.).

[0272] In another embodiment, the wand **1000** can be used to communicate operational information or instructions to the one or more plates **100**, bowls, serving dishes, mugs **400**, travel mugs **600**, cups or liquid containers. For example, the wand **1000** can be used to communicate one or more predetermined temperature setpoints or power settings. For example, the wand **1000** can have a user interface **1010** allowing the user to select a predetermined temperature setpoint or power setting and to communicate the information to the one or more plates **100**, bowls, serving dishes, mugs **400**, travel mugs **600**, cups or liquid containers as the wand **1000** is waved over them. Additionally, the wand **1000** can be used to turn on or off limited function modes (as described further below) on one or more of the plates **100**, bowls, serving dishes, mugs **400**, travel mugs **600**, cups or liquid containers. More generally, the wand **1000** can perform a data upload to, and/or data download from, the one or more plates **100**, bowls, serving dishes, mugs **400**, travel mugs **600**, cups or liquid containers.

[0273] In one embodiment, the wand **1000** can transmit an RF signal at a certain frequency to transmit instructions to the one or more plates **100**, bowls, serving dishes, mugs **400**, travel mugs **600**, cups or liquid containers. In other embodiments, the wand **1000** can transmit in other frequencies to the one or more plates **100**, bowls, serving dishes, mugs **400**, travel mugs **600**, cups or liquid containers.

[0274] In another embodiment, the wand **1000** can communicate with the one or more plates **100**, bowls, serving dishes, mugs **400**, travel mugs **600**, cups or liquid containers via IR or other types of optical transmission.

[0275] Though the wand **1000** disclosed above may be described in connection with a plate **100**, mug **400** or travel mug **600**, one of skill in the art will recognize that it can also apply to any liquid container, drinkware, dishware or serverware (e.g., bowl, serving dish, hot plate, cup and/or liquid container), including the plate **100'**, **800**, **800'**, **900**, **1100**, **1300**, **1400**, travel mug **1700A**, **2000**, **2100**, **2400**, beer mug **1600**, baby bottle **1500**, bread basket **2200**, tortilla warmer **2300**, etc. and the scope of disclosure and the invention is understood to cover such liquid containers, drinkware, dishware and serverware.

#### User Interface

[0276] FIG. **20** shows another embodiment of a plate **1100**, bowl or serving dish. The plate **1100** is similar to the plate **100**, **100'**, **800**, **800'** described above and includes the same components (with the same numerical identifiers) and features disclosed for the plate **100**, **100'**, **800**, **800'**, except as noted below.

[0277] In one embodiment, the plate **1100**, bowl or serving dish (or mug **400**, travel mug **600**, cup, or liquid container) can have a user interface **1110** that can include one or more soft touch or touch switch buttons **1120** electrically connected to the electronic module **90**, **490**, **690** to operate the heating or cooling system **55**, **455**, **655**. For example, the one or more soft touch or touch switch buttons **1120** can be actuated by a user (e.g., can sense the electricity or resistance in the user's body when touched, such as capacitive touch sensing) to turn on or off the one or more heating elements **60**, **460**, **600** of the plate **1100**, bowl, or serving dish (or mug **400**, travel mug **600**, cup or liquid container). In another embodiment, the one or more soft touch or touch switch buttons **1120** can be actuated to provide a predetermined temperature setpoint (e.g., low, medium, high, or specific temperature settings) to the one or more heating elements **60**, **460**, **600** in the one or more plates **1100**, bowls, or serving dishes, mugs **400**, travel mugs **600**, cups or liquid containers. For example, the one or more soft touch or touch switch buttons **1120** can operate like a toggle switch, where the user can touch the button **1120** one time to turn the heating or cooling system **55**, **455**, **655** on, touch it a second time to set the operation of the heating or cooling element **60**, **60**, **660** to a first level (e.g., low), touch a third time to set the operation

of the heating or cooling element **60, 60, 660** to a second level (e.g., medium), touch a fourth time to set the operation of the heating or cooling element **60, 60, 660** to a third level (e.g., high), and touch a fifth time to turn the heating or cooling element **60, 460, 660** off. In another embodiment, the first touch of the soft touch or touch switch button **1120** can both  
5 turn the heating or cooling system **55, 455, 655** on and set the operation of the heating or cooling element **60, 60, 660** to the first level (e.g., low). The user-interface controls on the plate **1100**, bowl, serving dish, mug **400**, travel mug **600**, cup or liquid container can also be other suitable user-interface mechanisms such as a push-button switch, slide switch, rocker switch, dial or wheel, etc.

10           **[0278]**     With respect to the one or more plates **1100**, bowls or serving dishes, the one or more soft touch or touch switch buttons **1120** can be located on a rim **1130** of the plate **1100**, bowl or serving dish. In one embodiment, the one or more soft touch or touch switch buttons **1120** on the plate **1100**, bowl or serving dish can be a set of three soft touch buttons on the rim **1130** of the plate **1100**, bowl or serving dish and can each be backlit (e.g., with  
15 white light). The three soft touch buttons **1120** can correspond to different operating levels (e.g., low, medium, high) or temperatures (e.g., **130°F, 165°F, 200°F**) at which the heating or cooling element **60, 60'** of the plate **1100**, bowl or serving dish is to operate when the button **1120** is actuated. In one embodiment, multiple soft touch or touch switch buttons **830** can be located along the periphery of the plate **800'** or serving dish, each button **830** associated with  
20 one of a plurality of heating or cooling elements **860A-860D** (e.g., where different sections, such as quadrants, of the plate **800'**, bowl or serving dish have separate heating or cooling elements **860A-860D** associated with them), as shown in FIG. 17. In one embodiment, the user interface **1110** on the one or more plates **1100**, bowls, serving dishes, mugs **400**, travel mugs **600**, cups or liquid containers can include one or more visual indicators **1140** (e.g.,  
25 located on a rim **1130** of the plate **1100**, bowl or serving dish or located on the side or top of a cup, mug **400**, travel mug **600** or liquid container) that can indicate an operating condition or parameter of the one or more plates **1100**, bowls, serving dishes, mugs **400**, travel mugs **600**, cups or liquid containers. For example, the one or more visual indicators **1140** can display operating information, such as charge level, power level, selected temperature, etc.

The visual indicator **1140** can be one or more of an LED, glowing light, or digital screen; however, other suitable visual indicators can be used. In one embodiment, the user interface can be behind a tinted semi-transparent layer of plastic so that when the screen goes dark, the user interface screen is unnoticeable as it is behind the layer of plastic. When the screen is activated by the electronic module **90, 490, 690**, it illuminates through the translucent plastic layer (e.g., tinted plastic or frosted plastic or colored plastic). The screen can be automatically activated when liquid is sensed in the mug **400**, travel mug **600**, cup or liquid container or when food is sensed on the plate, bowl or serving dish and can display one or more parameters (e.g. liquid temperature or food temperature or user-selected temperature mode). The user interface on the plate **1100**, bowl, serving dish, mug **400**, travel mug **600**, cup or liquid container can have one or more buttons (e.g., soft touch buttons) that the user can toggle to change the operation of the heating or cooling system **55, 455, 655**. For example, the user can toggle the one or more buttons to change the power level or temperature setting for the heating or cooling element **60, 460, 660**, or to change between different operating functions of the plate **1100**, bowl, serving dish, mug **400**, travel mug **600**, cup or liquid container. In another embodiment, the user can press and hold the button to increase the temperature setting for the plate **1100**, bowl, serving dish, mug **400**, travel mug **600**, cup or liquid container, which can increase in predetermined temperature increments (e.g., 5°F increments) until a maximum temperature setting is reached, after which continued pressing of the button can cause the temperature setting to begin incrementing again from the minimum temperature setting. Once the user stops pressing the button, the operating temperature will be set for the heating or cooling element **60, 460, 660** in the plate **1100**, bowl, serving dish, mug **400**, travel mug **600**, cup or liquid container.

[0279] As discussed above, the one or more buttons (e.g., buttons **1120**) can be pressed to toggle between different functions, one of which can be the temperature setting for the plate **1100**, bowl, serving dish, mug **400**, travel mug **600**, cup or liquid container. Toggling the button again can have the electronic module **90, 490, 690** display on the user interface the charge level of the one or more batteries **80, 480, 680** in the plate **1100**, bowl, serving dish, mug **400**, travel mug **600**, cup or liquid container. Toggling again the button

can have the electronic module **90, 490, 690** display the Bluetooth pairing mode, or allow the user to pair the plate **1100**, bowl, serving dish, mug **400**, travel mug **600**, cup or liquid container to a desired mobile electronic device (e.g., by pressing and holding the button). Once paired, the mobile electronic device can then receive information (e.g., temperature, battery charge level, liquid level) from the plate **1100**, bowl, serving dish, mug **400**, travel mug **600**, cup or liquid container, as well as transmit instruction (e.g., temperature setting, power setting, on or off, etc.) to the plate **1100**, bowl, serving dish, mug **400**, travel mug **600**, cup or liquid container.

**[0280]** In one embodiment, the one or more soft touch or touch switch buttons (such as buttons **1120** in FIG. **20**) can glow or be lit once actuated by a user to signify that the associated heating or cooling element **60, 460, 660** is operating. For example, the soft touch or touch switch buttons can be backlit (e.g., with one or more LEDs or electroluminescence or OLEDs). Similarly, the soft touch or touch switch buttons can be unlit or not glow when the associated heating or cooling element **60, 460, 660** is not in operation. In another embodiment, the electronic module **90, 490, 690** can additionally (or alternatively) cause an audible sound (e.g., from a piezo speaker incorporated into the one or more plates **1100**, bowls, serving dishes, mugs **400**, travel mugs **600**, cups or liquid containers) to be generated when the user presses the one or more soft touch or touch switch buttons (or any other type of button, dial or switch).

**[0281]** Though the user interface disclosed above may be described in connection with a plate **1100**, mug **400** or travel mug **600**, one of skill in the art will recognize that it can also apply to any liquid container, drinkware, dishware or serverware (e.g., bowl, serving dish, hot plate, cup and/or liquid container), including the plate **100, 100', 800, 800', 900, 1300, 1400**, travel mug **1700A, 2000, 2100, 2400**, beer mug **1600**, baby bottle **1500**, bread basket **2200**, tortilla warmer **2300**, etc. and the scope of disclosure and the invention is understood to cover such liquid containers, drinkware, dishware and serverware.

### Actuation

[0282] In one embodiment, the electronic module **90** can control the heating or cooling system **55** of the one or more plates **100**, bowls, serving dishes, mugs **400**, travel mugs **600**, cups or liquid containers to actuate or turn on when they are removed from their associated charging station, such as the charging station **1700** described below. For example, in one embodiment, the one or more plates **100**, bowls, serving dishes, mugs **400**, travel mugs **600**, cups or liquid containers can have a sensor (e.g., proximity sensor, magnet, electrical current removal detector, etc.) in communication with the electronic module **90**, **490**, **690**, where the proximity sensor sends a signal to the electronic module **90**, **490**, **690** when the plate **100**, bowl, serving dish, mug **400**, travel mug **600**, cup or liquid container is removed from the charging stand, and the electronic module **90**, **490**, **690** turns on power to the heating or cooling element **60**, **60'**, **460**, **660** based at least in part on said signal. In another embodiment, the electronic module **90**, **490**, **690** can place the one or more plates **100**, bowls, serving dishes, mugs **400**, travel mugs **600**, cups or liquid containers in standby mode when removed from the charging stand, but does not turn on the one or more heating or cooling elements **60**, **60'**, **460**, **660**, which can thereafter be turned on, for example, via user actuation of the one or more soft touch buttons (such as the buttons **830**, **1120**), use of a wireless remote control or mobile electronic device, or wand **1000**, or liquid or food sensing as described in the embodiments above.

[0283] Though the actuation functionality disclosed above may be described in connection with a plate **100**, mug **400** or travel mug **600**, one of skill in the art will recognize that it can also apply to any liquid container, drinkware, dishware or serverware (e.g., bowl, serving dish, hot plate, cup and/or liquid container), including the plate **100'**, **800**, **800'**, **900**, **1100**, **1300**, **1400**, travel mug **1700A**, **2000**, **2100**, **2400**, beer mug **1600**, baby bottle **1500**, bread basket **2200**, tortilla warmer **2300**, etc. and the scope of disclosure and the invention is understood to cover such liquid containers, drinkware, dishware and serverware.

### Charging Station

[0284] FIGS. 21-24 show one embodiment of a charging station 1700 or charging stand. In one embodiment, the charging station 1700 can have a user interface 1710 that communicates with the electronic module 90, 490, 690 in the one or more plates 100, 1100, bowls, serving dishes, mugs 400, travel mugs 600, cups or liquid containers. For example, the user interface 1710 on the charging station 1700 can be actuated by the user to set one or more operating parameters of the one or more plates 100, 1100, bowls, serving dishes, mugs 400, travel mugs 600, cups or liquid containers, such as user selected predetermined temperature setpoints or power setting modes.

[0285] With respect to the one or more plates 100, 1100, bowls or serving dishes, the user can actuate one or more buttons on the charging station 1700 that holds a plurality of plates 100, 1100 (e.g., be a charging stand that holds the plates 100, 1100, bowls or serving dishes in stacked form, as shown in FIG. 23, such as suspended from a base surface of the charging station). The user can set the desired operating temperature or power level for each of the plurality of plates 100, 1100, bowls or serving dishes (e.g., set either individually for each plate 100, bowl or serving dish, or set for all plates 100, bowls or serving dishes at once with one command), said instructions communicated from the user interface 1710 on the charging stand 1700 to the electronic module 90 in the one or more plates 100, 1100, bowls or serving dishes (e.g., via wireless communication such as RF, or via electrical contacts on the charging station 1700 that interface with corresponding electrical contacts on the plates, bowls or serving dishes, such as contacts 46''' in FIG. 3A ). Subsequently, when the one or more plates 100, 1100, bowls or serving dishes are removed from the charging station 1700 (as shown in FIG. 24), the electronic module 90 can automatically turn the heating or cooling element 60, 60' in the one or more plates 100, 1100, bowls or serving dishes on to the pre-selected temperature or power setting (e.g., low, medium, high) previously selected by the user via the interface 1710 (e.g., stored in a memory, such as Flash memory on the electronic module 90, 490, 690) while the one or more plates 100, 1100, bowls or serving dishes were on the charging station 1700.

[0286] In another embodiment, the user can actuate one or more buttons on the charging station 1700 while the one or more plates 100, 1100, bowls or serving dishes are positioned on the charging station 1700 to instruct at least one of the one or more plates 100, 1100, bowls or serving dishes to not turn on when the one or more plates 100, 1100, bowls or serving dishes is removed from the charging station 1700, allowing the heating or cooling system 55 in the one or more plates 100, 1100, bowls or serving dishes to remain off, or in a standby mode when removed from the charging station 1700. The user can then separately turn on the heating or cooling element 60, 60' in the one or more plates 100, 1100, bowls or serving dishes (e.g., via actuation of the one or more soft touch buttons on the plates 100, 1100, bowls or serving dishes, use of the wireless remote control or mobile electronic device, or via the wand, as described above). In another embodiment, the user-interface buttons 1710 on the charging station 1700 can be used to put the one or more plates 100, 1100, bowls or serving dishes into a given mode (e.g. temperature mode or power level mode) or to activate other features within the one or more plates 100, 1100, bowls or serving dishes. In another embodiment, the user-interface 1710 on the charging station 1700 can be used to communicate certain information to the one or more plates 100, 1100, bowls or serving dishes (e.g. the username of a user, favorite setting, icon selection, the ambient temperature, etc.) In another embodiment, the user can actuate one or more buttons 1710 on the charging station 1700 while the one or more plates 100, 1100, bowls or serving dishes are not on the charging station 1700 (e.g. the plate or plates 100, 1100, bowls or serving dishes are on the counter or on the dinner table and the user can turn one or more of the plates 100, 1100, bowls or serving dishes on from the charging station 1700 via an RF transmitter in the charging station 1700). In this embodiment, the charging station 1700 operates as a wireless remote to control the one or more plates 100, 1100, bowls or serving dishes. Said buttons or interface 1710 on the charging station 1700 can be a soft touch button, touch switch, push button switch, slider switch, dial or any other means of user-interface control. The charging base 1700 and charging base functions described in this paragraph can also be for other embodiments of the invention such as one or more bowls, serving dishes, mugs 400, travel mugs 600, cups or liquid containers.

[0287] The user interface **1710** on the charging station **1700** can have one or more visual indicators **1720** showing a charging status or level (e.g., percentage of battery power) of the one or more plates **100**, **1100**, bowls or serving dishes positioned on the charging station **1700** (e.g., one visual charging indicator for each plate **100**, **1100**, bowl or serving dish). For example, the charging station **1700** can have a plurality of visual indicators **1720**, each associated with one plate **100**, **1100**, bowl or serving dish positioned on the charging station **1700**, and showing the charging status or level for the battery **80** of the associated plate **100**, **1100**, bowl or serving dish. The one or more visual indicators **1720** can also show the user selected temperature setpoint or power level for the one or more plates **100**, **1100**, bowls or serving dishes on the charging station **1700**. A charging station for the mug **400** or travel mug **600** can have a similar user interface and one or more visual indicators.

[0288] In one embodiment, the charging station **1700** or stand that can hold a plurality of plates **100**, **1100**, bowls or serving dishes (e.g., can hold four plates, or more, or less) can charge the plates **100**, **1100**, bowls or serving dishes via one or more direct electrical connections between the charging station **1700** and the plates **100**. In another embodiment, the charging station **1700** or stand can charge the plates **100**, **1100**, bowls or serving dishes via inductive coupling, as discussed above. In one embodiment, the charging station can have an inductive coupling column **1740** (e.g., a vertically oriented inductive coupling system), with one or more inductive coupling transmitters **1730** that inductively couple with a plurality of plates **100**, **1100**, bowls or serving dishes positioned on the charging station **1700** or stand. In one embodiment, the plurality of inductive coupling transmitters **1730** can be in a linear array, as to interface with a plurality of plates **100**, **1100**, bowls or serving dishes.

[0289] The charging station **1700** can have a plurality of inductive coupling transmitters **1730**, e.g., in the shape of a slanted ledge **1732**, where each transmitter **1730** can couple to at least a portion of an underside (e.g., an underside of the rim) of a corresponding plate **100**, **1100**, bowl or serving dish (as shown in FIGS. **23-24**) on the charging station **1700** to inductively couple to the plate **100**, **1100**, bowl or serving dish. However in other embodiments, the inductive coupling transmitters **1730** can have other shapes and can inductively couple to other areas of a corresponding plate **100**, **1100**, bowl or serving dish

(e.g., an edge of the plate **100**, **1100**, bowl or serving dish, a bottom of the plate **100**, **1100**, bowl or serving dish, a cylindrical female/male port within the plate **100**, **1100**, bowl or serving dish, or other section of the plate **100**, **1100**, bowl or serving dish). In another embodiment, the inductive coupling charging station or stand can be in a horizontal orientation, so that the plurality of plates **100**, **1100**, bowls or serving dishes can be vertically oriented similar to the way a plate sits in the dishwasher. In another embodiment, the inductive coupling charging station can be integrated into a dishwasher so that the plates **100**, **1100**, bowls or serving dishes can be charged while they are in the dishwasher. The charging station and charging station functions described in this paragraph can also be for other embodiments of the invention such as one or more bowls, serving dishes, mugs **400**, travel mugs **600**, cups or liquid containers.

**[0290]** In another embodiment, the charging station (e.g. **300**, **500**, **700**, **1700**) can be sized to accommodate one plate **100**, bowl, serving dish, mug **400**, travel mug **600**, cup or liquid container, respectively. The charging station can have one or more visual indicators, which can indicate an operating condition of the charging station and/or plate **100**, bowl, serving dish, mug **400**, travel mug **600**, cup or liquid container. For example, the one or more visual indicators can be an indicator light that illuminates when the plate **100**, bowl, serving dish, mug **400**, travel mug **600**, cup or liquid container is charging, or has completed its charging, or an indicator to illustrate the current percentage of charge level.

**[0291]** Though the charging station and charging station functions disclosed above may be described in connection with a plate **100**, **1100**, one of skill in the art will recognize that it can also apply to any liquid container, drinkware, dishware or serverware (e.g., bowl, serving dish, hot plate, cup and/or liquid container), including the plate **100'**, **800**, **800'**, **900**, **1100**, **1300**, **1400**, mug **400**, travel mug **600**, **1700A**, **2000**, **2100**, **2400**, beer mug **1600**, baby bottle **1500**, bread basket **2200**, tortilla warmer **2300**, etc. and the scope of disclosure and the invention is understood to cover such liquid containers, drinkware, dishware and serverware. Additionally, though the charging station functions disclosed above are described in connection with the charging station **1700** one of skill in the art will recognize that these functions can also apply to the charging base **200**, **300**, **500**, and **700**.

### Preheat Mode

[0292] In one embodiment, the charging station **1700** can have one or more buttons **1710** (e.g., three buttons) on its user interface **1710** for different temperature setpoints (e.g., **130°F**, **165°F**, **200°F**) or operating levels (e.g., low, medium, high), which can be actuated by the user to initiate a preheat mode for the one or more plates **100**, **1100**, bowls, serving dishes, mugs **400**, travel mugs **600**, cups or liquid containers positioned on the charging station **1700** or stand. In one embodiment, the one or more buttons **1710** can control a preheat feature for all of the plates **100**, **1100**, bowls, serving dishes, mugs **400**, travel mugs **600**, cups or liquid containers positioned on the charging stand **1700** (e.g., control all simultaneously). In another embodiment, separate sets of buttons can be provided on the charging station **1700**, each set of buttons associated with one charging location that receives one plate **100**, **1100**, bowl, serving dish, mug **400**, travel mug **600**, cup or liquid container thereon for charging on the charging station.

[0293] Once a user presses the one or more preheat buttons **1710** on the charging station **1700**, the charging station **1700** will communicate instructions to the electronic module **90** of the one or more plates **100**, **1100**, bowls, serving dishes, mugs **400**, travel mugs **600**, cups or liquid containers to turn on the heating or cooling element **60**, **460**, **660** to the user selected temperature or power level mode. In said preheat mode, power to the heating or cooling element **60**, **460**, **660** in the plates **100**, **1100**, bowls, serving dishes, mugs **400**, travel mugs **600**, cups or liquid containers can be provided by the charging station **1700** (e.g., via inductive coupling or electrical contacts), rather than from the one or more batteries **80**, **480**, **680** within the plates **100**, **1100**, bowls, serving dishes, mugs **400**, travel mugs **600**, cups or liquid containers, thereby conserving battery power. Once the desired preheat temperature has been obtained, a visual indicator light **1720** on the charging station **1700** can change color (e.g., change to a green light) to indicate to the user that the pre-selected preheat temperature has been obtained and that the plates **100**, **1100**, bowls, serving dishes, mugs **400**, travel mugs **600**, cups or liquid containers can be removed. Other suitable indicators can be used to

indicate to the user that the selected preheat temperature has been obtained (e.g. audible sound, flashing light, digital screen with a message or an icon, glowing icon, etc.).

[0294] Once the one or more plates **100, 1100**, bowls, serving dishes, mugs **400**, travel mugs **600**, cups or liquid containers are removed from the charging station **1700**, the electronic module **90, 490, 690** can operate the heating or cooling element **60, 460, 660** with the one or more electrical energy storage elements (e.g., batteries) **80, 480, 680** to maintain a user selected temperature. In another embodiment, the one or more plates **100, 1100**, bowls, serving dishes, mugs **400**, travel mugs **600**, cups or liquid containers need not have an energy storage device, and can receive its power from the charging station **1700** (e.g. via inductive coupling or electrical contacts) for the purpose of preheating the one or more plates **100, 1100**, bowls, serving dishes, mugs **400**, travel mugs **600**, cups or liquid containers. Once removed from the charging station **1700** (or preheat station) the one or more plates **100, 1100**, bowls, serving dishes, mugs **400**, travel mugs **600**, cups or liquid containers would eventually cool down over time, in accordance with the heat dissipation characteristics of the material of the plate **100, 1100**, bowl, serving dish, mug **400**, travel mug **600**, cup or liquid container. Thermal materials can be used to prolong the amount of time that the plate **100, 1100**, bowl, serving dish, mug **400**, travel mug **600**, cup or liquid container stays hot (e.g. phase change material, etc.). In one embodiment, the said plate **100, 1100**, bowl, serving dish, mug **400**, travel mug **600**, cup or liquid container can have an inductive coupling receiver and a heating or cooling element (e.g., heating or cooling element **60**). In another embodiment, there can be other circuitry in the said plate **100, 1100**, bowl, serving dish, mug **400**, travel mug **600**, cup or liquid container such as a temperature sensor (e.g., the temperature sensors **820A-820D, 920**) and an electronics module (e.g., electronic module **90**) which can regulate the temperature of the heating or cooling element. In another embodiment, the one or more plates **100, 1100**, bowls, serving dishes, mugs **400**, travel mugs **600**, cups or liquid containers would receive different levels of power from the charging station (preheat station) based on a user-selected temperature or power setting.

[0295] The one or more plates **100, 1100**, bowls, serving dishes, mugs **400**, travel mugs **600**, cups or liquid containers can also have a visual indicator light (e.g., on a side wall

or an edge or rim, such as visual indicator light **1140** on plate **1100**)) to indicate when the plate **100**, **1100**, bowl, serving dish, mug **400**, travel mug **600**, cup or liquid container is in preheat mode on the charging station **1700** (e.g., a red light, or a glowing icon or a flashing light), or when the preheat mode has been completed and the desired temperature has been obtained (e.g., a green light or a glowing icon, or flashing light, etc.).

**[0296]** Though the preheat mode disclosed above may be described in connection with a plate **100**, **1100** mug **400** or travel mug **600**, one of skill in the art will recognize that it can also apply to any liquid container, drinkware, dishware or serverware (e.g., bowl, serving dish, hot plate, cup and/or liquid container), including the plate **100**, **800**, **800**, **900**, **1300**, **1400**, cup, travel mug **1700A**, **2000**, **2100**, **2400**, beer mug **1600**, baby bottle **1500**, bread basket **2200**, tortilla warmer **2300** etc. and the scope of disclosure and the invention is understood to cover such liquid containers, drinkware, dishware and serverware. Additionally, though the preheat mode disclosed above is described in connection with the charging station **1700** one of skill in the art will recognize that this feature can also apply to the charging base **200**, **300**, **500**, and **700**.

#### Limited Function Mode

**[0297]** In one embodiment, the charging station **1700** can have one or more limited function switches **1750** that can be actuated by the user to limit the function of the one or more plates **100**, **1100**, bowls or serving dishes associated with the charging location on the charging station **1700** or stand. In one embodiment, the limited function switch **1750** can disable one or more operating temperatures or modes of the plate **100**, **1100** (e.g., via communication of instructions from the charging station **1700** to the electronic module **90** of the one or more plates **100**, **1100**, bowls or serving dishes). For example, the limited function switch **1750** can disable a high and medium operating temperature or power level in the plate **100**, **1100**, bowls or serving dishes, thereby allowing the plate **100**, **1100**, bowl or serving dish to operate in only a low operating temperature or power level. Such a limited function mode can be used, for example, when the plate **100**, **1100**, bowl or serving dish will hold food for a child (to inhibit the risk of injury). In another embodiment, the limited function

switch **1750** can also (or alternatively) be located on the one or more plates **100, 1100**, bowls or serving dishes themselves (e.g., can be a soft touch, touch switch button or any other type of switch on a rim of the plate **100, 1100**, bowls or serving dishes or underneath the plate, bowl or serving dish). In one embodiment, the one or more plates **100, 1100**, bowls or serving dishes can have a visual indicator (e.g., a backlit icon, glowing light, or other indicator on the rim or other location of the plate **100, 1100**, bowl or serving dish, such as indicator **1150** on plate **1100**) that can indicate whether the limited function mode is turned on.

**[0298]** In one embodiment, at least one of the one or more limited function switches **1750** on the charging station **1700** can be a two position slider switch on a surface (e.g., a back surface) of the charging station **1700** that can be used as a child lock switch. The switch can be actuated between a “Child lock On” and a “Child lock Off” state. The “Child lock On” state can limit the power level or temperature in one or more of the plates **100, 1100**, bowls or serving dishes on the charging station **1700** to the low power level or temperature (e.g., via communication with the electronic module **90**), and a padlock icon on the plate, such as the padlock icon **1150** of plate **1100**, bowl or serving dish in FIG. **20** (e.g., on the front side of the plate) can be illuminated (e.g., green backlight) when the plate **100, 1100**, bowl or serving dish is removed from the charging station **1700** to illustrate that the plate **100, 1100**, bowl or serving dish is in Child lock mode. If the user then touches the button (e.g., soft touch button, such as the soft touch button **1120** of plate **1100**) associated with the low power level or temperature (e.g., **130°F**), the electronic module **90** will turn the heating or cooling element **60** on and operate it at that level. If the user touches another button (e.g., soft touch button, such as the soft touch button **1120** of plate **1100**) on the plate **100, 1100**, bowl or serving dish to try to change the mode of operation of the plate **100, 1100**, bowl or serving dish to a higher temperature setting, the electronic module **90** will cause the glowing child lock icon to flash or strobe to indicate to the user that the child lock is on and that the plate **100, 1100**, bowl or serving dish cannot be changed to a higher temperature mode. In one embodiment, a user can disable the child lock mode on the plate **100, 1100**, bowl or serving dish as discussed further below by entering, for example, an unlock

combination button-push sequence (e.g., pushing the temperature mode buttons in a specific order). Once the plate **100, 1100**, bowl or serving dish is again placed on the charging station **1700**, and the child lock switch **1750** (or limited function switch) on the charging station **1700** is on, the charging station **1700** will communicate instructions to the electronic module **90** of the plate **100, 1100**, bowl or serving dish to again turn on the child lock mode back on, so that the next time the plate **100, 1100**, bowl or serving dish is removed from the charging station **1700** it will again be in child lock mode.

**[0299]** In one embodiment, limited function mode (e.g., child lock mode) can be manually disabled or overridden in one or more ways (e.g. by pushing and holding predetermined buttons for a period of time, or pushing a combination of buttons in a predetermined sequence on the charging station or one or more plates **100, 1100**, bowls or serving dishes). In another embodiment, the limited function mode can be actuated or disabled using a wireless remote control, mobile electronic device or wand, as discussed above.

**[0300]** Though the user limited function mode and child lock mode features disclosed above may be described in connection with a plate **100, 1100**, one of skill in the art will recognize that it can also apply to any liquid container, drinkware, dishware or serverware (e.g., bowl, serving dish, hot plate, cup and/or liquid container), including the plate, **100', 800, 800', 900, 1300, 1400**, mug **400** or travel mug **600, 1700A, 2000, 2100, 2400**, beer mug **1600**, baby bottle **1500**, bread basket **2200**, tortilla warmer **2300**, etc. and the scope of disclosure and the invention is understood to cover such liquid containers, drinkware, dishware and serverware.

#### Water Tight and Dishwasher Safe

**[0301]** In one embodiment, the one or more plates **100**, bowls, serving dishes, mugs **400**, travel mugs **600**, cups or liquid containers can be water tight, thereby inhibiting damage to the electronic and electrical components. In one embodiment the one or more plates **100**, bowls, serving dishes, mugs **400**, travel mugs **600**, cups or liquid containers can be submersible up to 1 meter. However, in other embodiments, the one or more plates **100**,

bowls, serving dishes, mugs **400**, travel mugs **600**, cups or liquid containers can be submersible to depths lower or greater than this.

**[0302]** In one embodiment, the one or more plates **100**, bowls, serving dishes, mugs **400**, travel mugs **600**, cups or liquid containers can be constructed so as to withstand  
5 temperatures of up to **200**°F, thereby being suitable for cleaning in high temperature dishwashers, including commercial dishwashers with a sanitation cycle of about **180**°F. In another embodiment, the one or more plates **100**, bowls, serving dishes, mugs **400**, travel  
mugs **600**, cups or liquid containers can be sealed (e.g., via the bottom portion or member **40**,  
**440**, **640**) so as to inhibit exposure of the electronics and electrical components to liquids  
10 (e.g., chemical bath during cleaning in a dishwasher).

**[0303]** In one embodiment, the one or more plates **100**, bowls, serving dishes, mugs **400**, travel mugs **600**, cups or liquid containers can include liquid shielding technology to protect the circuitry and electrical components from water damage. For example, DRYWIRED™, LIQUIPEL™ or HZO WATERBLACK™ can be used to protect the  
15 electronics in the one or more plates **100**, bowls, serving dishes, mugs **400**, travel mugs **600**, cups or liquid containers. Such liquid sealing technology can be used in addition to, or instead of the one or more water tight sealed compartments or cavities in the plate **100**, bowl, serving dish, mug **400**, travel mug **600**, cup or liquid container.

**[0304]** Though the water tight and dishwasher safe features disclosed above may  
20 be described in connection with a plate **100**, mug **400** or travel mug **600**, one of skill in the art will recognize that it can also apply to any liquid container, drinkware, dishware or serverware (e.g., bowl, serving dish, hot plate, cup and/or liquid container), including the plate **100**, **800**, **800**, **900**, **1100**, **1300**, **1400**, travel mug **1700A**, **2000**, **2100**, **2400**, baby bottle **1500**, beer mug **1600**, bread basket **2200**, tortilla warmer **2300**, etc. and the scope of  
25 disclosure and the invention is understood to cover such liquid containers, drinkware, dishware and serverware.

### Bottom Glow

[0305] In one embodiment, the one or more plates **100** can have a visual indicator on the bottom of the plates **100**, which are illuminated (e.g., controlled by the electronic module **90**) when the heating or cooling element **60**, **60'** is in operation. For example, a multicolor LED (e.g., in a graphic LED grid) can be provided on the base of each of the plates **100** and when the one or more plates **100** are placed on a counter, the LED causes a soft glow to radiate (e.g., at a plurality of different brightness levels) from under each plate **100**. The electronic module **90** can control the operation of the multicolor LED to glow in a first color (e.g., red) when the heating or cooling element **60** is on, to glow in a second color when the plate **100**, bowl or serving dish is in a standby mode, or to glow in a third color when the plate **100**, bowl or serving dish is in a preheat mode (described above) on the charging station. In another embodiment, the lighting on the underside of the plate can be one color only.

[0306] Though the preheat mode disclosed above may be described in connection with a plate **100**, one of skill in the art will recognize that it can also apply to any liquid container, drinkware, dishware or serverware (e.g., bowl, serving dish, hot plate, cup and/or liquid container), including the plate **100'**, **800**, **800'**, **900**, **1100**, **1300**, **1400**, mug **400** or travel mug **600**, **1700A**, **2000**, **2100**, **2400**, baby bottle **1500**, beer mug **1600**, bread basket **2200**, tortilla warmer **2300**, etc. and the scope of disclosure and the invention is understood to cover such liquid containers, drinkware, dishware and serverware.

### Hot Plate or Cooled Plate

[0307] FIGS. **25-26** show one embodiment of a hot or cooled plate **1200**. The hot or cooled plate **1200** is similar to the plate **100**, **100'** described above and includes the same components (with the same numerical identifiers) and features disclosed for the plate **100**, **100'** described above, except as noted below.

[0308] The hot or cooled plate **1200** can have a generally flat top surface **1220A** and can receive thereon one or more plates, bowls, serving dishes, mugs, travel mugs, cups or liquid containers (e.g., conventional dishware or drinkware) to heat the dishware or

drinkware (e.g., before or after it has received a hot food item (e.g., steak), or to chill the dishware or drinkware (e.g., before or after it has received a cold food item (e.g., salad). The hot or cooled plate **1200** can operate in a similar manner as the plate **100, 100'** and can have one or more of the features disclosed in connection with the description of the operation of the plate **100, 100', 800, 800', 900, 1100, 1300**, or baby bottle **1500**. For example, the hot or cooled plate **1200** can interface with a charging station, in a similar manner as the plate **100, 100', 800, 800', 900, 1100**, and be actuated by a wand **1000** or other remote control mechanism or mobile electronic device.

#### Removable Battery Pack

**[0309]** FIGS. **27** and **28** show another embodiment of a plate **1300**, bowl or serving dish. The plate **1300** is similar to the plate **100, 100', 800, 800', 900** described above and includes the same components (with the same numerical identifiers) and features disclosed for the plate **100, 100', 800, 800', 900**, except as noted below.

**[0310]** In the illustrated embodiment, the plate **1300** can have a removable battery pack **80'** that removably couples to a bottom of the plate **1300**. In one embodiment, the battery pack **80'** can have an electrical contact **82'** that contacts an electrical contact **1330** on the plate **1300** to electrically connect the battery pack **80'** to the plate **1300** (e.g., to provide power to the electronic module **90**, including the controller circuit **94** and charging circuit **96**, and the heating or cooling element **60**). In the illustrated embodiment, the electrical contact **82'** is ring shaped; however, the electrical contact **82'** can have other shapes. In one embodiment, the electrical contact **82'** can be an electrical contact strip (e.g., a gold plated electrical contact strip), though in other embodiments the electrical contact **82'** can have other suitable types or made of other suitable materials. Advantageously, the electrical contact **82'** is shaped so that the electrical connection between the battery pack **80'** and plate **1300** can be provided irrespective of the rotational orientation of the battery pack **80'** when coupled to the plate **1300**.

**[0311]** The battery pack **80'** can have a threaded portion **84'** that can mate with a threaded portion **1340** in a bottom of the plate **1300** to mechanically couple the battery pack

**80'** to the plate **1300**. However, other suitable mechanisms can be used to mechanically couple the battery pack **80'** to the plate **1300** (e.g., tab and groove structure, press-fit connection). The battery pack **80'** can have a user handle or grip member **86'** to allow the user to hold and couple the battery pack **80'** to the plate **1300**.

5           **[0312]**     The threaded connection between the battery pack **80'** and the plate **1300** can substantially seal the bottom of the plate **1300** in a water tight manner, as discussed above. In one embodiment, the battery pack **80'** can be sized to define substantially the entire base of the plate **1300** when coupled to the plate **1300**. In another embodiment, the battery pack **80'** can be sized to define only a portion of the base (e.g., less than the entire base) of  
10 the plate **1300**.

**[0313]**     Though the battery pack feature disclosed above may be described in connection with a plate **1300**, one of skill in the art will recognize that it can also apply to any liquid container, drinkware, dishware or serverware (e.g., bowl, serving dish, hot plate, cup and/or liquid container), including the plate **100**, **100'**, **800**, **800'**, **900**, **1100**, mug **400** or  
15 travel mug **600**, **1700A**, **2000**, **2100**, **2400**, baby bottle **1500**, beer mug **1600**, bread basket **2200**, tortilla warmer **2300**, etc. and the scope of disclosure and the invention is understood to cover such liquid containers, drinkware, dishware and serverware.

#### Removable Base

20           **[0314]**     FIGS. **29-30** show another embodiment of a plate **1400**, bowl or serving dish. The plate **1400** is similar to the plate **100**, **100'**, **800**, **800'**, **900** described above and includes the same components (with the same numerical identifiers) and features disclosed for the plate **100**, **100'**, **800**, **800'**, **900**, except as noted below.

**[0315]**     In the illustrated embodiment, the plate **1400** can have a bottom portion (or  
25 base) **40'** that can be removably coupled to a bottom of the plate **1400** to substantially seal a compartment or cavity **50** in the bottom of the plate **1400** that houses the heating or cooling system **55**, including the insulative member **70** and one or more electrical energy storage devices **80** (e.g., batteries). In the illustrated embodiment, the bottom portion **40'** can be removably coupled to the bottom of the plate **1400** with one or more fasteners **46'** (e.g.,

screws, bolts, pins, or other suitable fasteners). In one embodiment, the one or more fasteners **46'** can extend through the bottom portion **40'** and couple to a coupling member **56'** (e.g., female threaded portion, grommet) in the body **1410** of the plate **1400**. The bottom portion **40'** can couple to the body **1410** of the plate **1400** so as to substantially seal the bottom of the plate **1300** in a water tight manner, as discussed above.

**[0316]** Though the removable feature disclosed above may be described in connection with a plate **1400**, one of skill in the art will recognize that it can also apply to any liquid container, drinkware, dishware or serverware (e.g., bowl, serving dish, hot plate, cup and/or liquid container), including the plate **100**, **100'**, **800**, **800'**, **900**, **1100**, mug **400** or travel mug **600**, **1700A**, **2000**, **2100**, **2400**, baby bottle **1500**, beer mug **1600**, bread basket **2200**, tortilla warmer **2300**, etc. and the scope of disclosure and the invention is understood to cover such liquid containers, drinkware, dishware and serverware.

Liquid Container (e.g., Baby Bottle)

**[0317]** FIGS. **31-32** show another embodiment of a liquid container **1500**. In the illustrated embodiment, the liquid container **1500** is a baby bottle. The liquid container **1500** is similar to the mug **400** and travel mug **600** described above and includes the same components (with the same numerical identifiers) and features disclosed for the mug **400** and travel mug **600** described above, except as noted below.

**[0318]** The baby bottle **1500** can have a body **1510** that defines a liquid holding chamber **1518** therein and a bottom surface **1520**. The baby bottle **1500** can have a heating or cooling system **1555**, similar to the heating or cooling system **455**, **655** described above, and have a heating or cooling element **1560**, an insulative member **1570**, one or more electrical energy storage devices **1580** and an electronic module **1590**, which can include a wireless power receiver **1592**, a control circuitry **1594** and a charging circuit **1596**. The heating or cooling system **1555** can function in the same way as described above for the heating or cooling system **55**, **155**, **655**. In another embodiment, the baby bottle **1500** can have one or more electrical contacts (e.g., electrical contacts on a surface of the baby bottle **1500**) that can contact electrical contacts on a charging station for providing electrical power to one or more

components in the baby bottle **1500** (e.g., to the one or more energy storage devices **1580** to charge them, to the heating or cooling element **1560**, etc.).

**[0319]** The heating or cooling system **1555** can be housed in a chamber or cavity **1550** in the body **1510** of the baby bottle **1500**, where in one embodiment at least a portion of the heating or cooling system **1555** (e.g., the one or more electrical energy storage devices **1580**, such as batteries) can be accessed via a removable bottom portion **1540** (or base) that can removably couple to a bottom of the baby bottle **1500**. The bottom portion **1540** can couple to the body **1510** of the baby bottle **1500** so as to substantially seal the bottom of the baby bottle **1500** in a water tight manner, as discussed above. In another embodiment, the bottom portion of the baby bottle **1500** can be excluded or it can be sealed to the body **1510** of the baby bottle **1500** so that the electronics, power storage devices **1580** or heating or cooling system **1555** are sealed within the body **1510** and not accessible.

**[0320]** Though the features disclosed above may be described in connection with a liquid container or baby bottle **1500**, one of skill in the art will recognize that it can also apply to any liquid container, drinkware, dishware or serverware (e.g., bowl, serving dish, hot plate, cup and/or liquid container), including the plate **100**, **100'**, **800**, **800'**, **900**, **1100**, **1300**, **1400**, mug **400** or travel mug **600**, **1700A**, **2000**, **2100**, **2400**, beer mug **1600**, bread basket **2200**, tortilla warmer **2300**, and the scope of disclosure and the invention is understood to cover such liquid containers, drinkware, dishware and serverware. Additionally, one of skill in the art will recognize that the liquid container **1500** or baby bottle can incorporate any of the features or components disclosed in this application (e.g., the features or components disclosed in embodiments above in connection with a plate **100**, **100'**, **800**, **800'**, **900**, **1100**, **1300**, **1400**, or mug **400** or travel mug **600**, **600'**, **600''**)

#### Travel Mug

**[0321]** In another embodiment, a travel mug, such as the travel mug **600**, **600'**, **600''**, cup, mug or liquid container can only have one or more temperature sensors (such as the sensor **820A-820D**, **920**) for sensing the temperature of the liquid in the travel mug, mug, cup or liquid container (e.g., sensing the temperature at the bottom or on a side surface of the

inner chamber of the travel mug, mug, cup, liquid container). In this embodiment, the one or more temperature sensors can communicate the sensed temperature information to a visual indicator (e.g., digital display, one or more lights, such as LED lights, glowing icon, including the indicator types disclosed above) on a surface of the travel mug, mug, cup, liquid container viewable by the user to communicate the temperature information to the user. In this embodiment, the travel mug, mug, cup, or liquid container can exclude the heating or cooling system and can only have the one or more temperature sensors and one or more visual indicators.

**[0322]** Though the features disclosed above may be described in connection with a travel mug, mug, cup, or liquid container (such as the mug **400**, and travel mug **600**), one of skill in the art will recognize that this embodiment can also apply to any liquid container, drinkware, dishware or serverware (e.g., bowl, serving dish, hot plate, cup and/or liquid container), including the plate **100**, **100'**, **800**, **800'**, **900**, **1100**, **1300**, **1400**, travel mug **1700A**, **2000**, **2100**, beer mug **1600**, baby bottle **1500**, bread basket **2200**, tortilla warmer **2300**, etc. and the scope of disclosure and the invention is understood to cover such liquid containers, drinkware, dishware and serverware.

#### Method of Remote Control Operation

**[0323]** FIG. **33** shows one embodiment of a method **1900** of operating the one or more plates **100**, **1100**, bowls, serving dishes, mugs **400**, travel mugs **600**, cups, and liquid containers. In the illustrated embodiment, a remote control or mobile electronic device can be paired **1910** with one or more plates **100**, **1100**, bowls, serving dishes, mugs **400**, travel mugs **600**, cups, and liquid containers. The remote control or mobile electronic device can then receive one or more instructions from a user **1920** regarding the operation of the one or more plates **100**, **1100**, bowls, serving dishes, mugs **400**, travel mugs **600**, cups, and liquid containers. The remote control or mobile electronic device can then transmit **1930** said one or more instructions to the paired one or more plates **100**, **1100**, bowls, serving dishes, mugs **400**, travel mugs **600**, cups, and liquid containers. The one or more instructions can then be performed **1940** by the one or more plates **100**, **1100**, bowls, serving dishes, mugs **400**, travel

mugs 600, cups, and liquid containers. Additionally, the remote control or mobile electronic device can receive 1950 information from the one or more plates 100, 1100, bowls, serving dishes, mugs 400, travel mugs 600, cups, and liquid containers (e.g., sensed food temperature, battery charge or level, current temperature setting, etc.). Optionally, an application can be loaded 1960 onto the remote control or mobile electronic device to allow the remote control or mobile electronic device to interface with the one or more plates 100, 1100, bowls, serving dishes, mugs 400, travel mugs 600, cups, and liquid containers.

[0324] FIG. 44 shows a block diagram of a communication system for the devices described herein (e.g., the one or more plates 100, 1100, bowls, serving dishes, mugs 400, travel mugs 600, 1700, 2100, 2200, 2400, cups, liquid containers such as beer mugs 1600 and baby bottles 1500, bread basket 2200, tortilla warmer 2300, etc.). In the illustrated embodiment, the electronic module EM (such as the electronic module disclosed herein for the plates, cups, mugs, travel mugs, liquid containers, beer mugs, baby bottles, bread basket, tortilla warmer, etc.) can receive sensed information from one or more sensors S1-Sn (e.g., liquid level sensors, liquid volume sensors, temperature sensors, battery charge sensors, drink quality sensors, tilt sensors or gyroscopes). The electronic module EM can also receive information from and transmit information (e.g., instructions) to one or more heating or cooling elements HC (e.g., to operate each of the heating or cooling elements in a heating mode, in a cooling mode, turn off, turn on, vary power output of, etc.) and optionally to one or more power storage devices PS (e.g., batteries, such as to charge the batteries or manage the power provided by the batteries to the one or more heating or cooling elements). The electronic module EM can also communicate with a wireless power transmitter WPT (e.g., an inductive power transmitter). The electronic module EM can also communicate with (e.g., transmit information to and receive information, such as user instructions from, a user interface UI1 on the unit (e.g., on the body of the plates, cups, mugs, travel mugs, liquid containers, beer mugs, baby bottles, bread basket, tortilla warmer, etc.). The electronic module EM can also communicate with an electronic device ED (e.g., a mobile electronic device such as a mobile phone, PDA, tablet computer, laptop computer, electronic watch; or a desktop computer) via the cloud CL or via a wireless communication system such as

Bluetooth BT. The electronic device ED can have a user interface UI2, that can display information associated with the operation of the actively heated/cooled drinkware, dishware, serverware, etc. (as disclosed herein), and that can receive information (e.g., instructions) from a user and communicate said information to the actively heated/cooled drinkware, dishware, serverware, etc. (as disclosed herein).

**[0325]** Though the features and ideas disclosed above may be related to actively heating or cooling food or beverage, the embodiments above may also be used to heat or cool air spaces, such as refrigeration devices, cold boxes, coolers, portable coolers, or portable refrigerators, or hot boxes, or warmer drawers, or heat chambers, or any other device that would benefit from the heating or cooling of the air within a defined cavity or chamber.

**[0326]** Though the features disclosed above may be described in connection with the plate **100, 1100**, mug **400**, and travel mug **600**, one of skill in the art will recognize that this embodiment can also apply to any liquid container, drinkware, dishware or serverware (e.g., bowl, serving dish, hot plate, cup and/or liquid container), including the plate **100', 800, 800', 900, 1100, 1300, 1400**, travel mug **1700A, 2000, 2100, 2400**, beer mug **1600**, baby bottle **1500**, bread basket **2200**, tortilla warmer **2300**, etc. and the scope of disclosure and the invention is understood to cover such liquid containers, drinkware, dishware and serverware.

**[0327]** Though the embodiments above are described in connection with dishware and drinkware, such as mugs, plates and travel mugs, one of ordinary skill in the art will recognize that the above described features and functions can also be incorporated into dinnerware, serverware (e.g., serving platters, bowls, tureens, Chafing Dishes, coffee carafes, bread baskets, bread warmers, tortilla warmers, trays, hot plates) and bakeware (e.g., casserole dishes) or bottles (e.g. baby bottles or portable drinking bottles) or other liquid or food containers. Additionally, the drinkware, dishware, serverware, etc. can be made of a ceramic material or other suitable materials (e.g., plastic or glass).

**[0328]** Various embodiments reference an electronic module, such as the electronic module **90, 490, 690**. The term “electronic module” is meant to refer to electronics generally. Furthermore, the term “electronic module” should not be interpreted to require that the electronics be all in one physical location or connected to one single printed circuit

board (PCB). One of skill in the art will recognize that the electronic module or electronics disclosed herein can be in one or more (e.g., plurality) of separate parts (coupled to one or a plurality of PCBs) and/or located in different physical locations of the body of the plate, serving dish, hot/cool plate, mug, travel mug, cup, liquid container or baby bottle, as disclosed herein. That is, the electronic module or electronics can have different form factors.

[0329] Of course, the foregoing description is that of certain features, aspects and advantages of the present invention, to which various changes and modifications can be made without departing from the spirit and scope of the present invention. Moreover, the heated or cooled dishware and drinkware need not feature all of the objects, advantages, features and aspects discussed above. Thus, for example, those of skill in the art will recognize that the invention can be embodied or carried out in a manner that achieves or optimizes one advantage or a group of advantages as taught herein without necessarily achieving other objects or advantages as may be taught or suggested herein. In addition, while a number of variations of the invention have been shown and described in detail, other modifications and methods of use, which are within the scope of this invention, will be readily apparent to those of skill in the art based upon this disclosure. For example, one of skill in the art will recognize that the passive or active cooling elements described above for FIG. 9A can be incorporated into any of the other embodiments disclosed for the drinkware or dishware (e.g., plate **100**, mug **400**, travel mug **600**). Additionally, one of skill in the art will recognize that a vacuum chamber can also be incorporated into all embodiments described above, such as the mug **400**, the plate **100'**, bowl or serving dish and the travel mug **600'**, in a manner similar to that described above in connection with the plate **100''**, bowl or serving dish or travel mug **600''**, cup or liquid container. It is contemplated that various combinations or subcombinations of these specific features and aspects of embodiments may be made and still fall within the scope of the invention. Accordingly, unless otherwise stated, or unless clearly incompatible, each embodiment of this invention may comprise, additional to its essential features described herein, one or more features as described herein from each other embodiment of the invention disclosed herein. In addition, though the embodiments

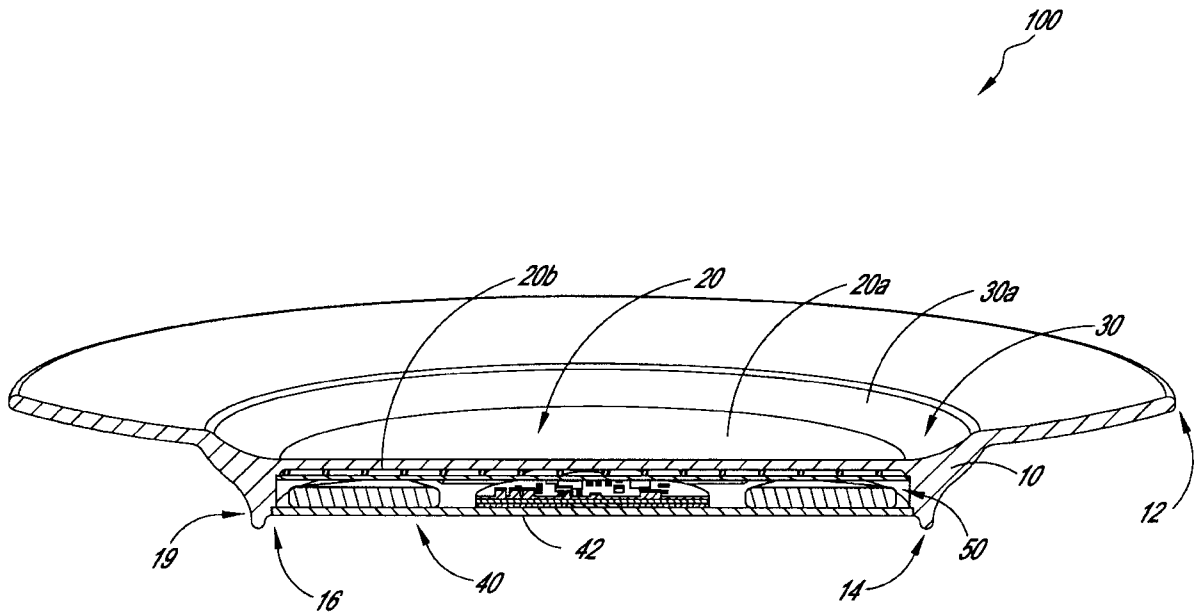
disclosed herein may be described in connection with a heated or cooled plate, mug, or travel mug, one of skill in the art will recognize that the features also apply to any liquid container, drinkware, dishware or serverware (e.g., platter), including the plate **100**, **800**, **800'**, **900**, **1100**, **1300**, **1400**, mug **400**, travel mug **600**, hot/cooled plate **1200**, and baby bottle **1500** and  
5 the scope of disclosure and the invention is understood to cover such liquid containers, drinkware, dishware and serverware. Accordingly, it should be understood that various features and aspects of the disclosed embodiments can be combined with or substituted for one another in order to form varying modes of the discussed heated or cooled dishware, drinkware and/or serverware.

10

**EMBODIMENTS IN WHICH AN EXCLUSIVE PROPERTY OR PRIVILEGE IS CLAIMED ARE DEFINED AS FOLLOWS:**

1. An actively heated or cooled dishware or serverware device, comprising:
  - a body having a receiving portion configured to hold food; and
  - a heating or cooling system, comprising:
    - a heating or cooling element configured to heat or cool the receiving portion of the body, wherein the heating or cooling element is operable to actively heat or cool at least a portion of the body to maintain the food in a heated or cooled state,
    - control circuitry,
    - one or more energy storage devices electrically connected to the heating or cooling element through the control circuitry, the control circuitry configured to manage the power delivered to the heating or cooling element,
    - a wireless power receiver configured to wirelessly receive power from a power source, the wireless power receiver being in communication with the one or more energy storage devices and configured to charge the one or more energy storage devices; and
    - a sensor that senses the orientation of the dishware or serverware device and communicates the sensed orientation to the control circuitry, the control circuitry configured to control the operation of the dishware or serverware device based on the sensed orientation.
2. The dishware or serverware device of Claim 1, wherein the control circuitry is configured to discontinue power to the heating or cooling element based on the sensed orientation.

3. The dishware or serverware device of Claim 2, wherein the control circuitry is configured to discontinue power to the heating or cooling element when the sensor senses that the dishware or serverware device has been turned upside down.
4. The dishware or serverware device of any one of Claims 1 to 3, wherein the heating or cooling system is housed in the body.
5. The dishware or serverware device of any one of Claims 1 to 4, further comprising a repeater circuit that is configured to take power received by the wireless power receiver and then energize a wireless power transmitter to transmit power wirelessly to another dishware or serverware device stacked on top of the body.
6. A system comprising the dishware or serverware device of any one of Claims 1 to 5 and a charging base, the charging base configured to contact at least a portion of the body, and the charging base configured to wirelessly transmit power to the heating or cooling element via inductive coupling.
7. The system of Claim 6, wherein the charging base is part of a charging stand comprising a plurality of charging bases, wherein each of the plurality of charging bases is attached to a wall of the charging stand by a connecting support, and wherein each of the plurality of charging bases comprises a wireless power transmitter configured to transmit power to the wireless power receiver of the dishware or serverware device when the dishware or serverware device is placed on that charging base.



*FIG. 1*

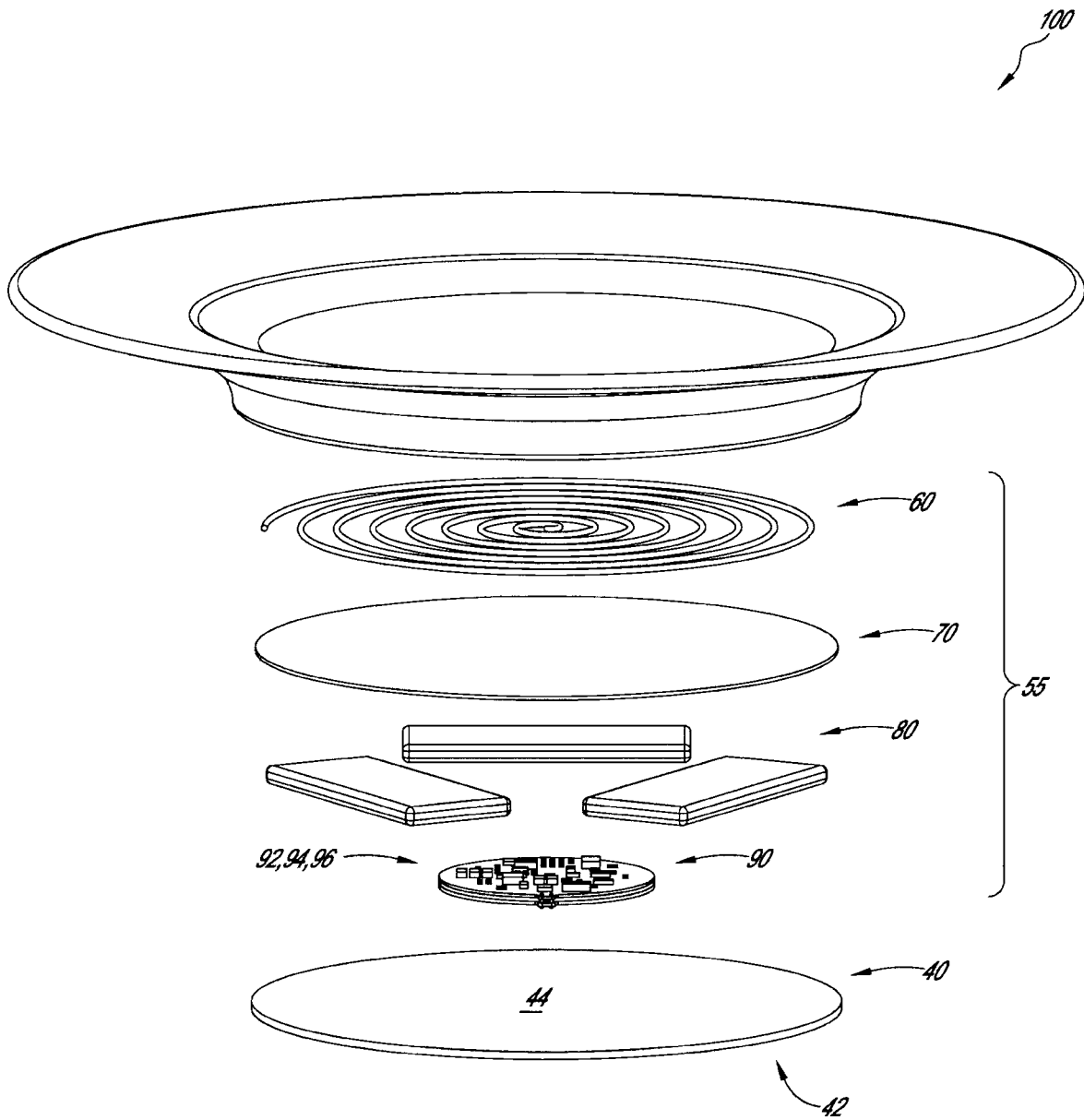


FIG. 2

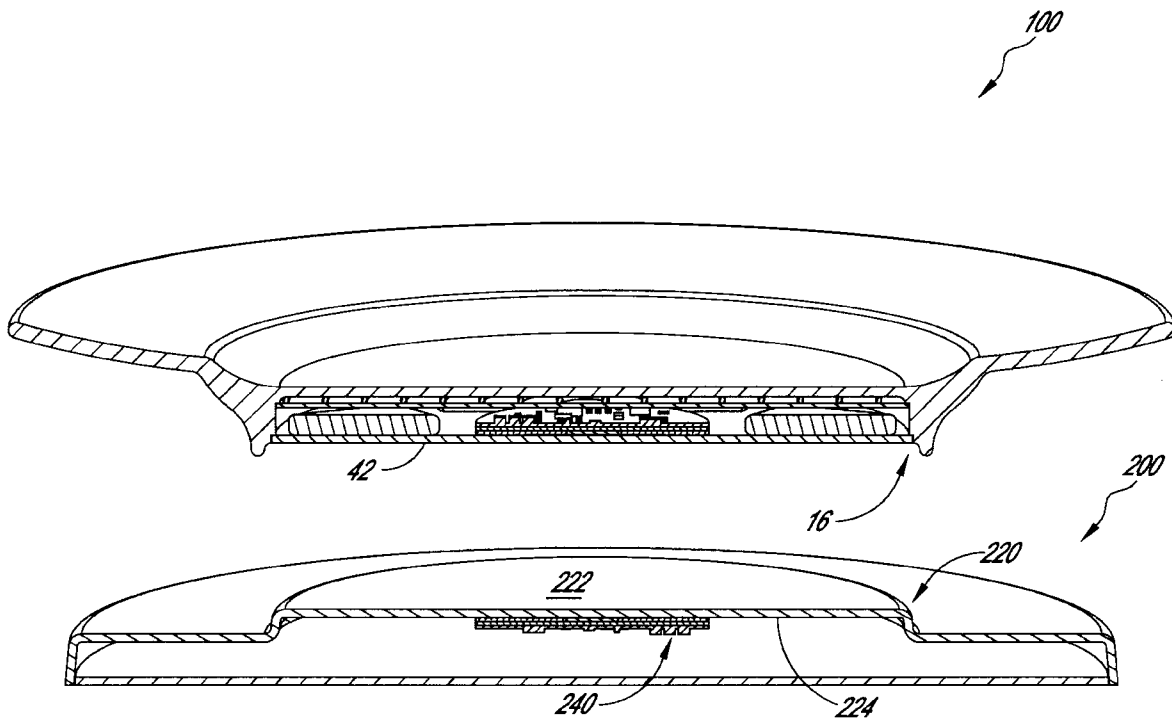
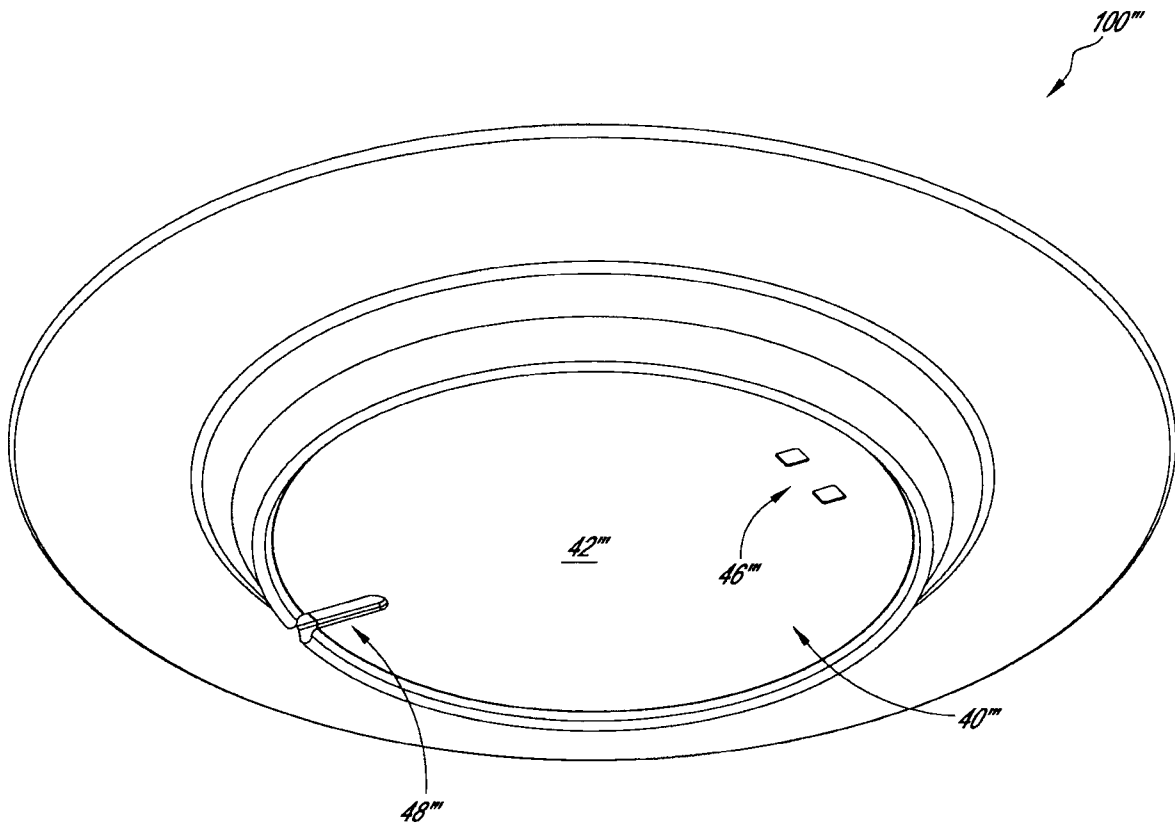
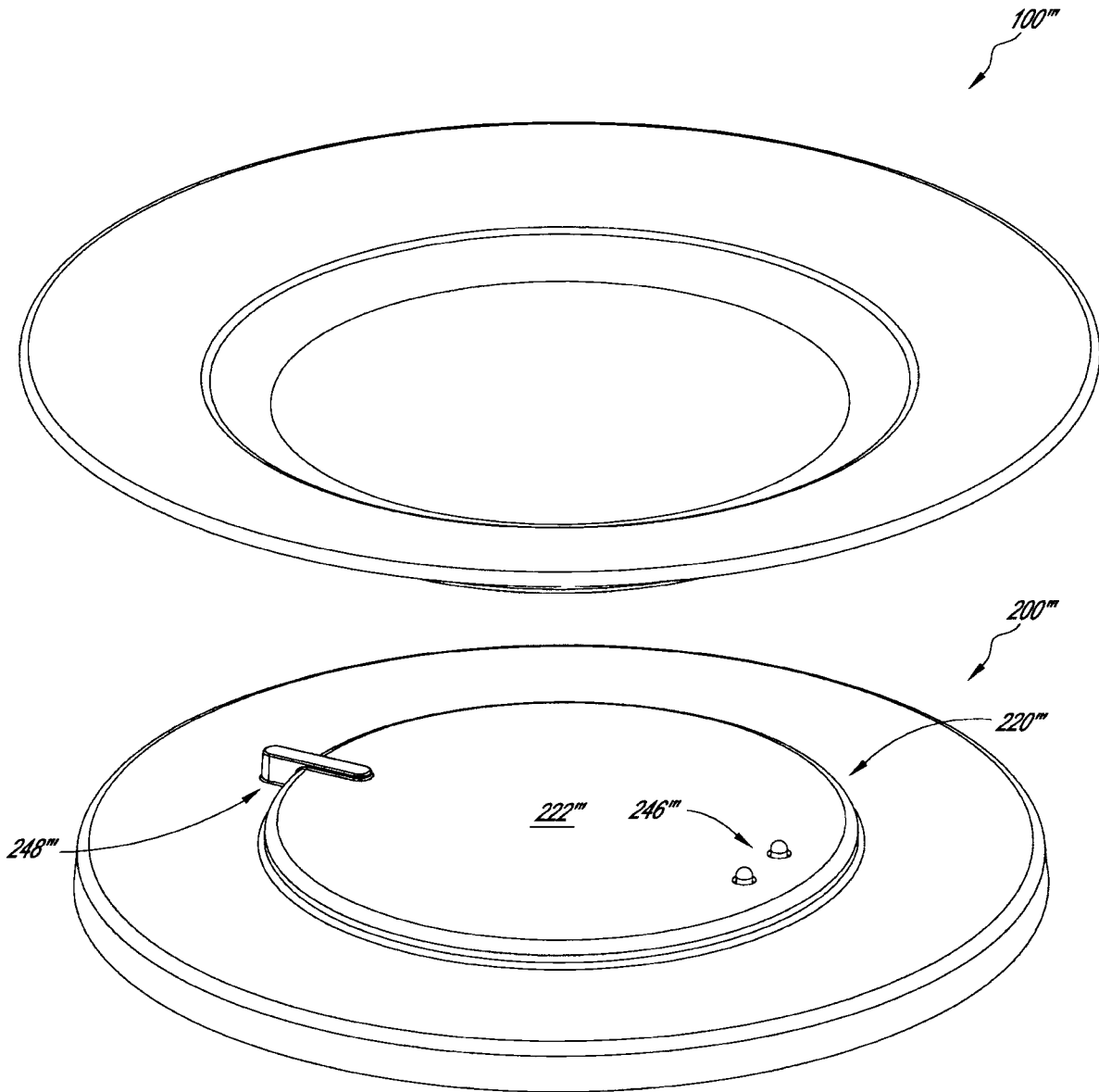


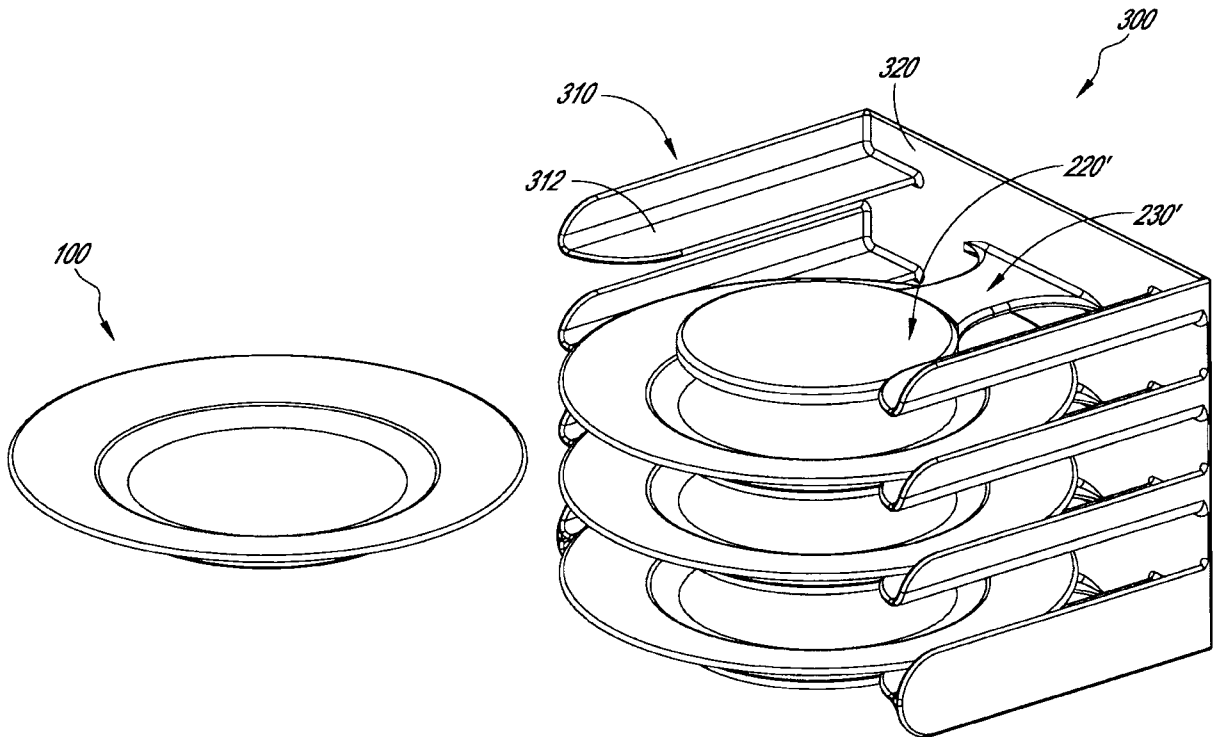
FIG. 3



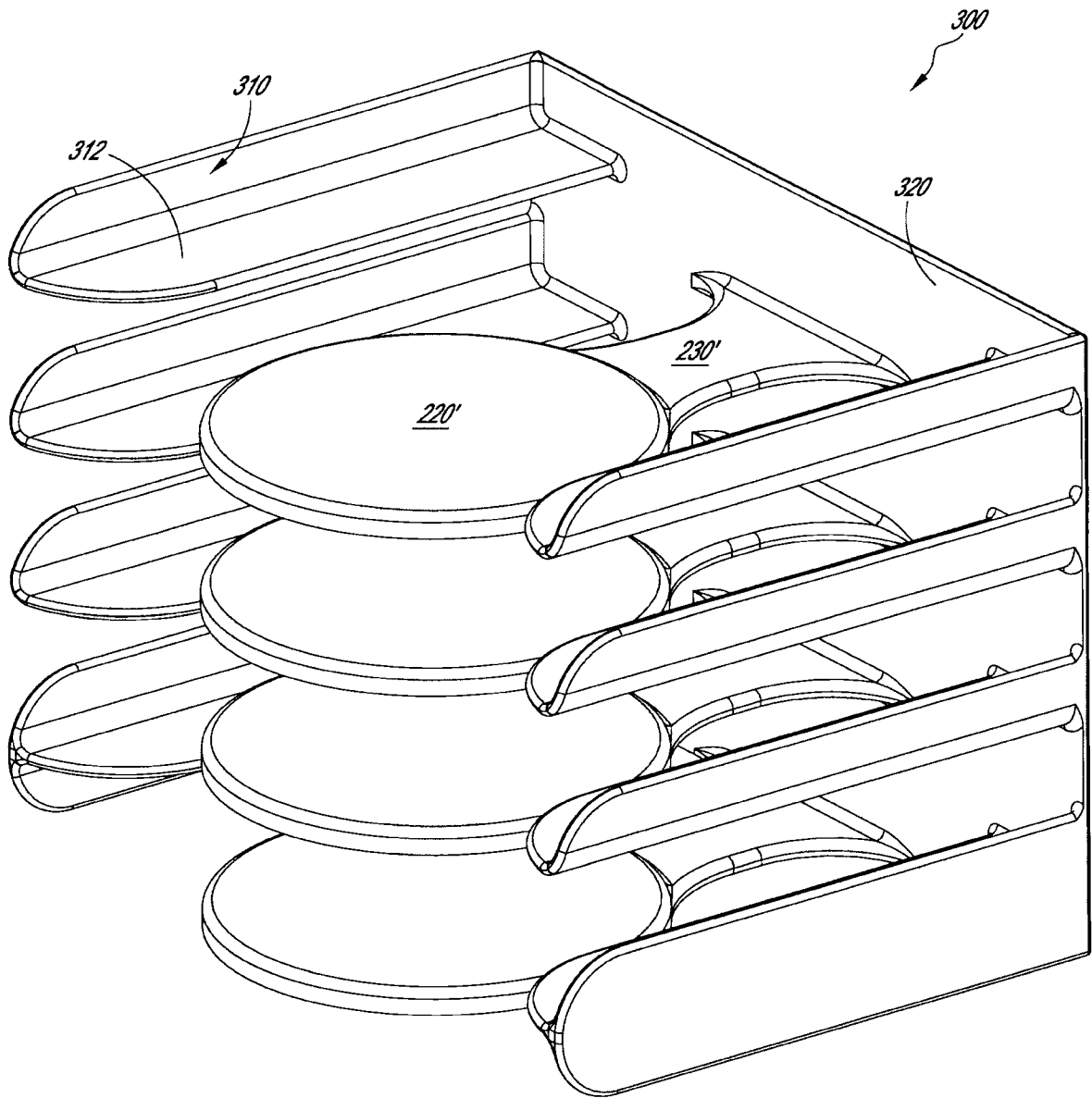
*FIG. 3A*



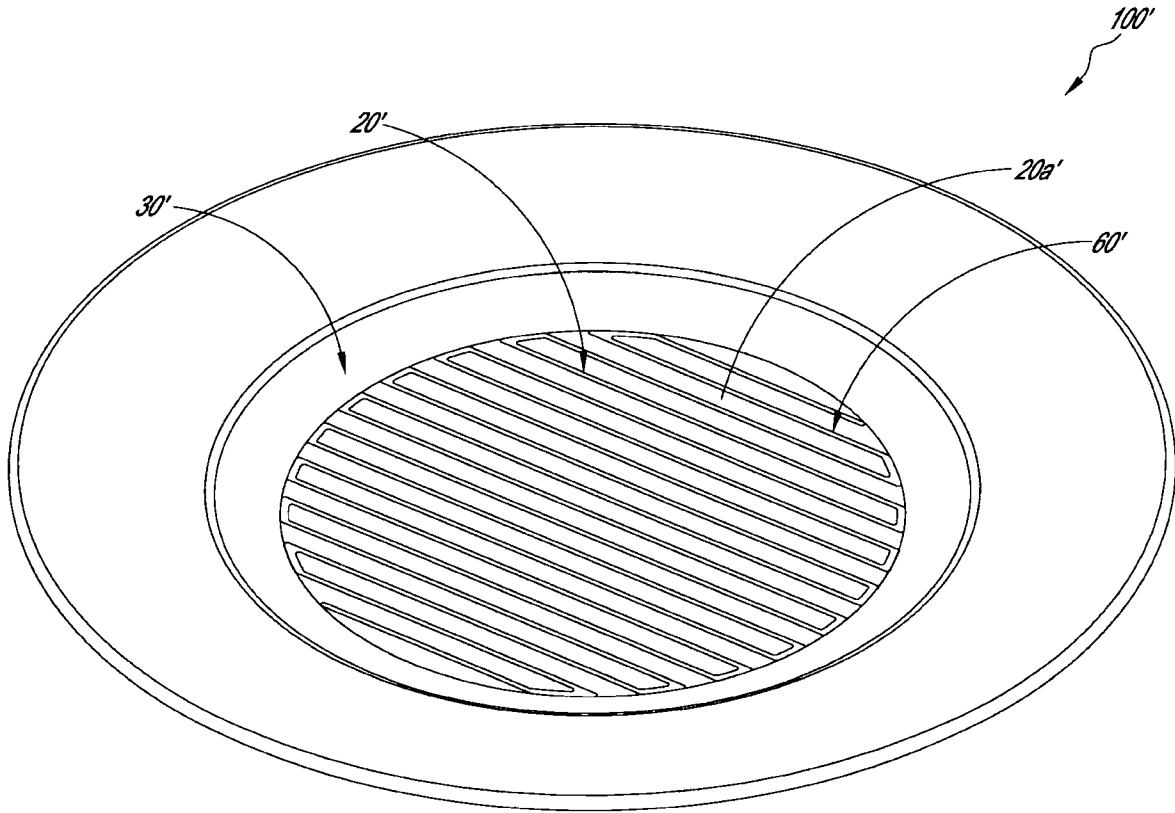
*FIG. 3B*



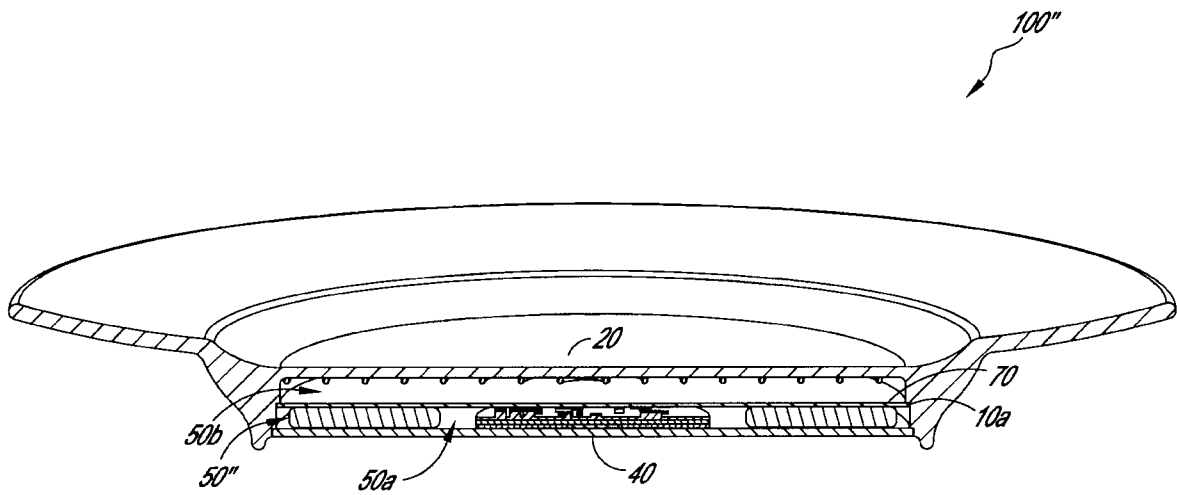
*FIG. 4*



*FIG. 5*



*FIG. 6*



*FIG. 7*

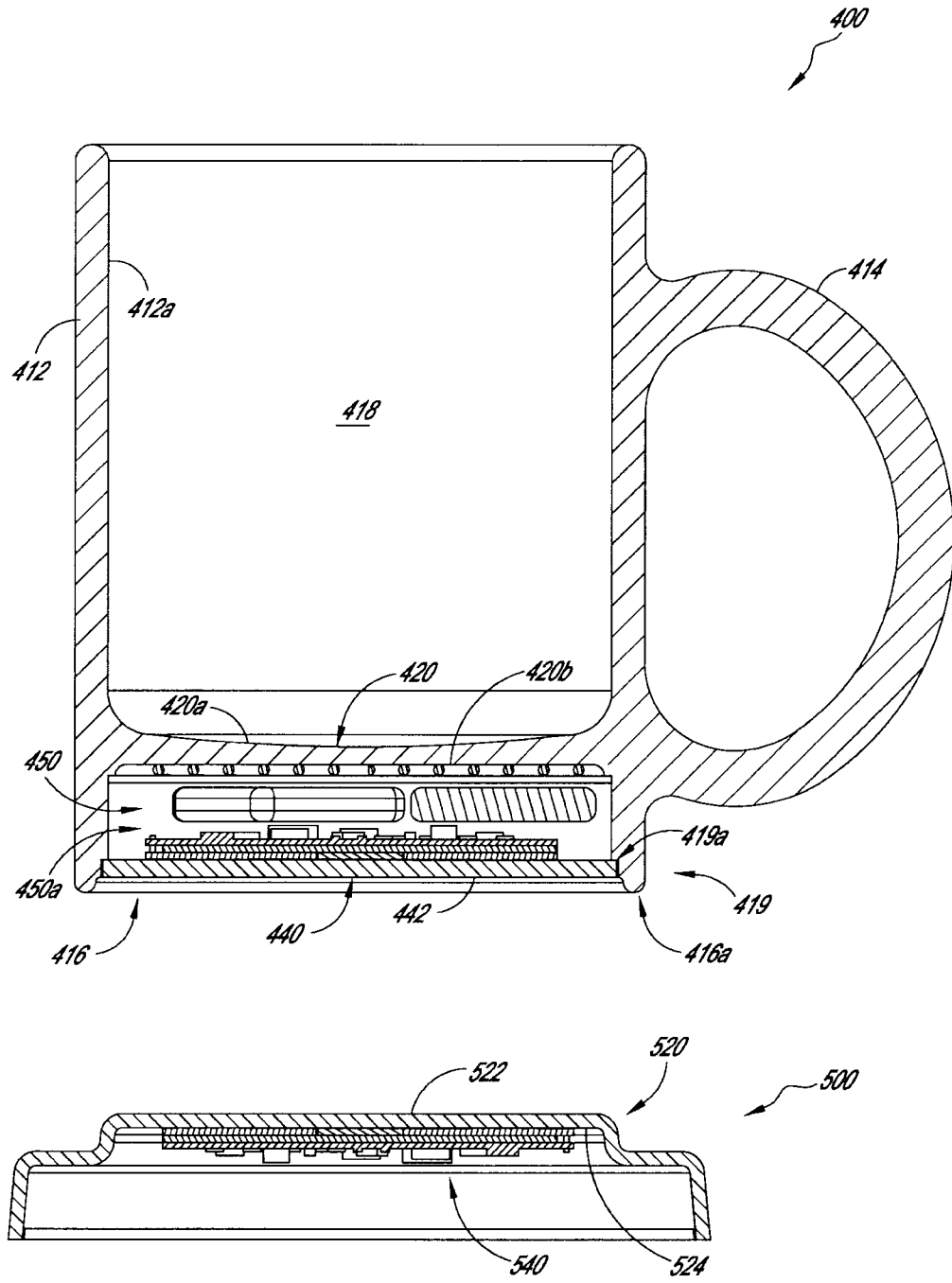


FIG. 8

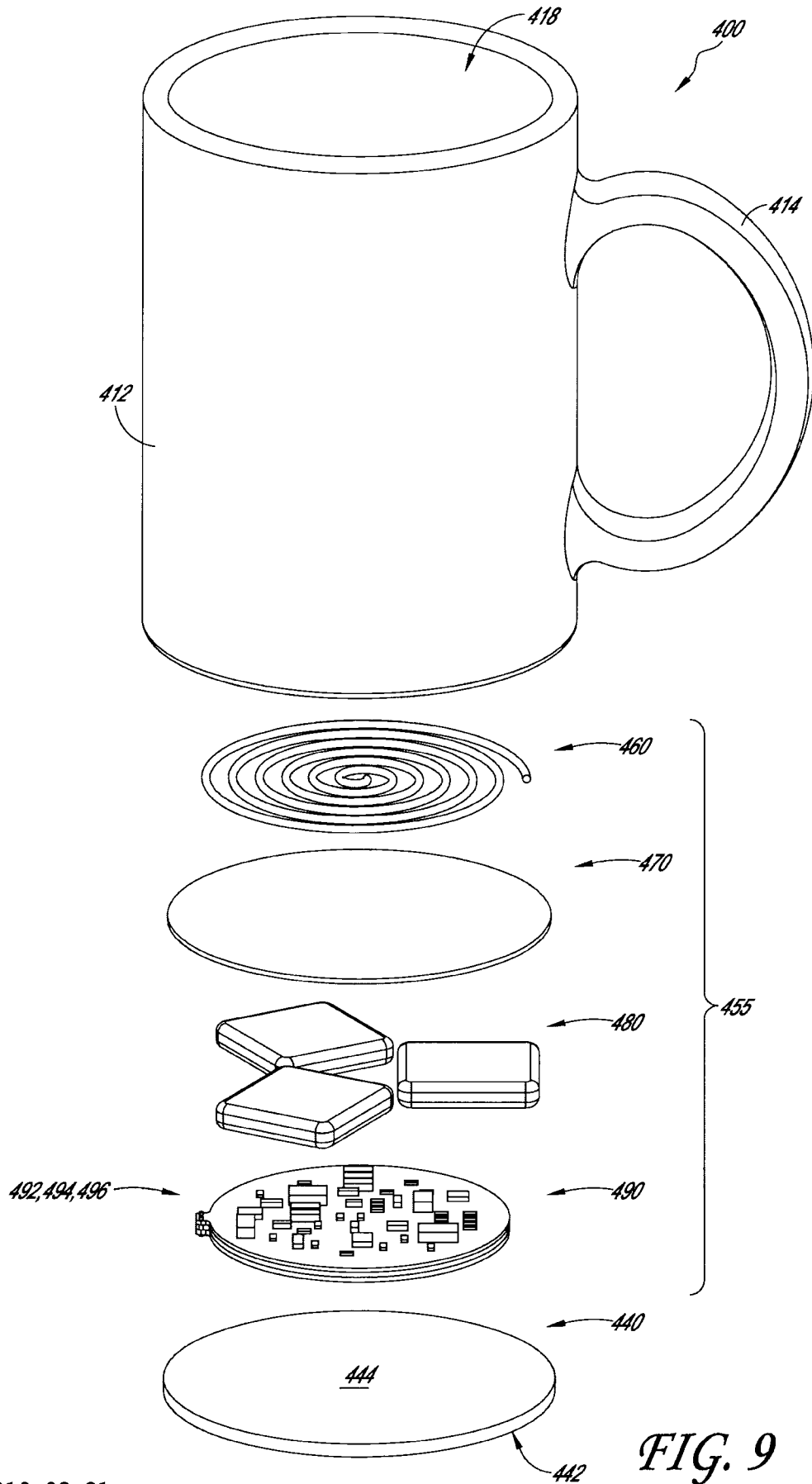


FIG. 9

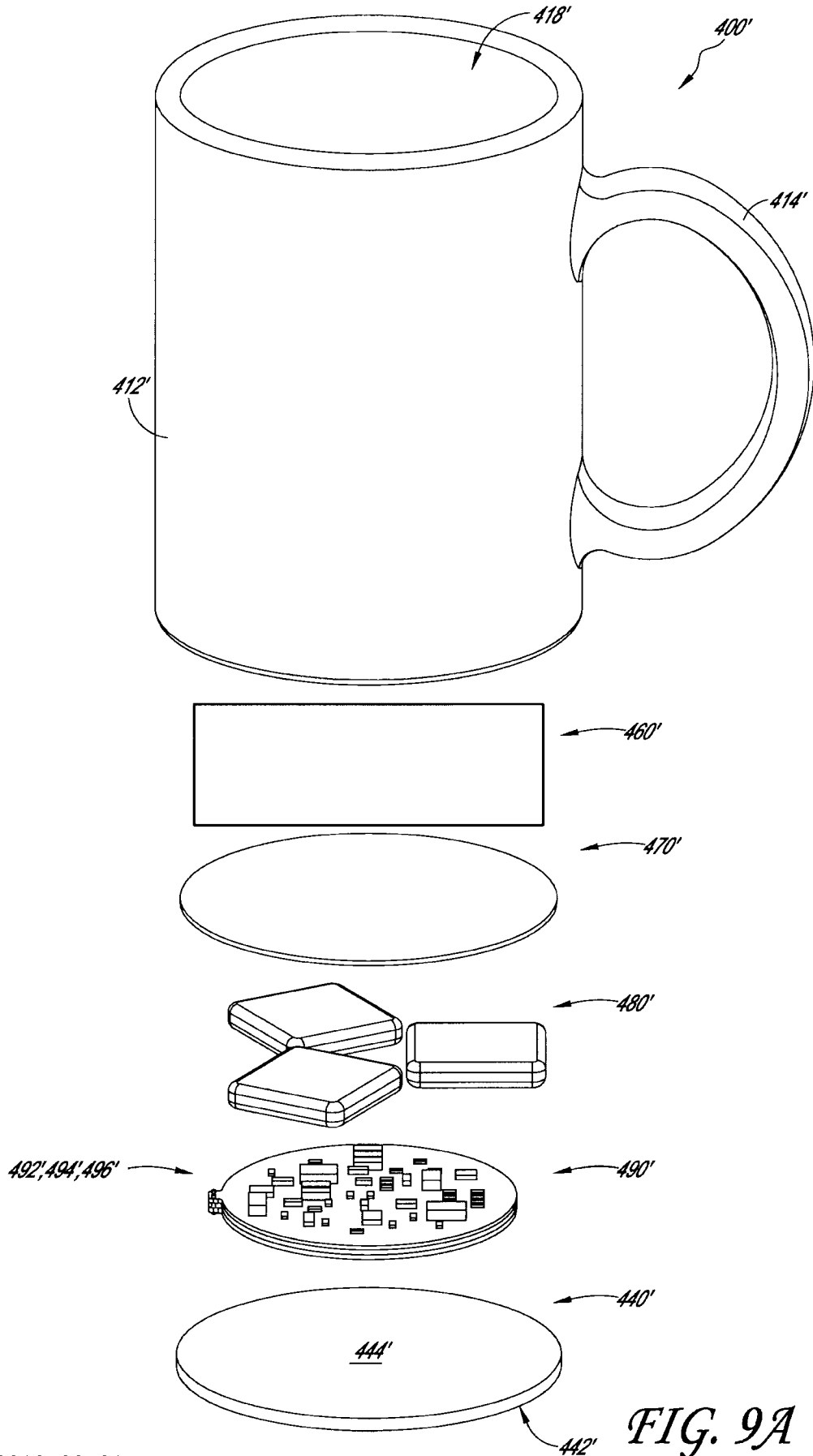


FIG. 9A

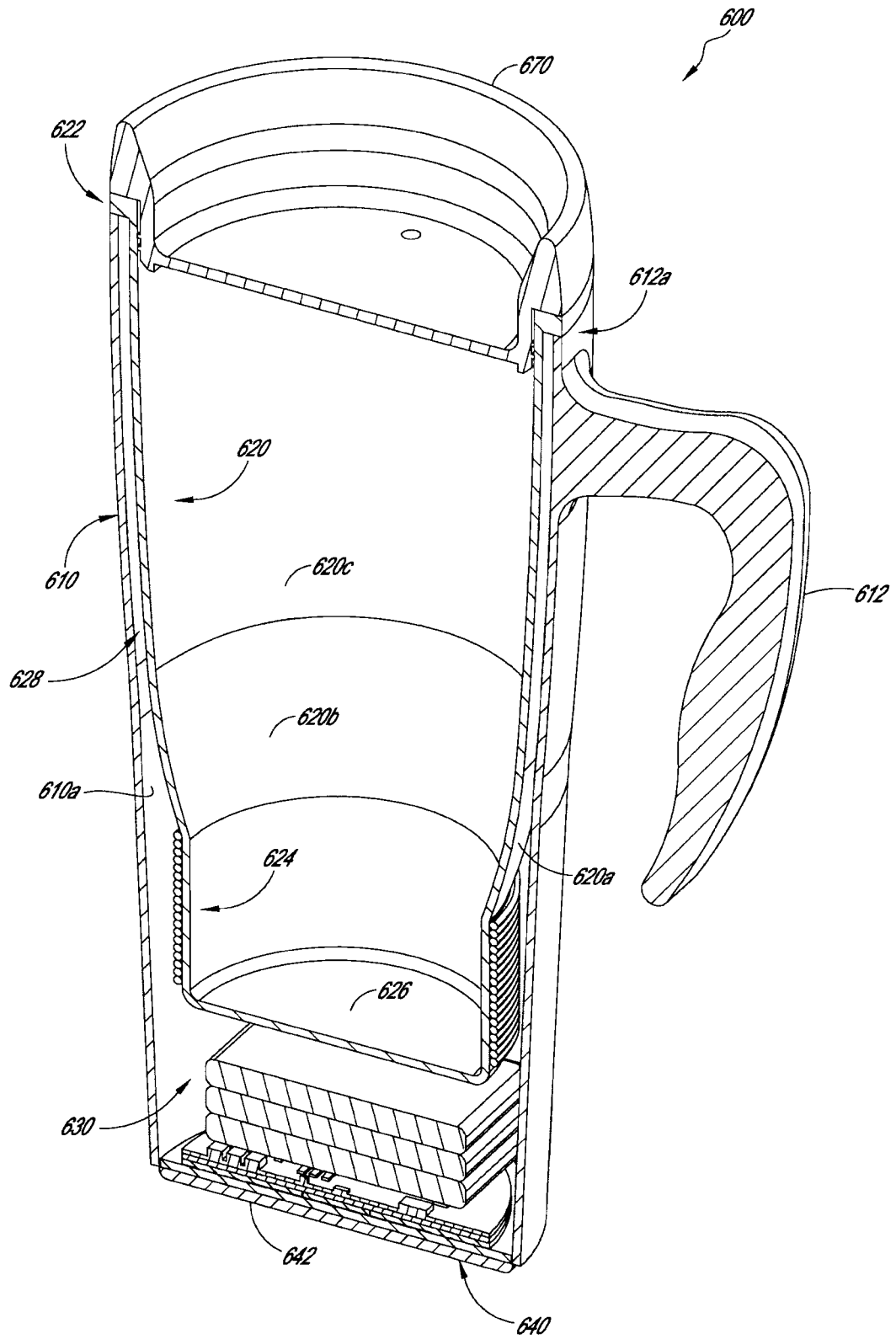


FIG. 10

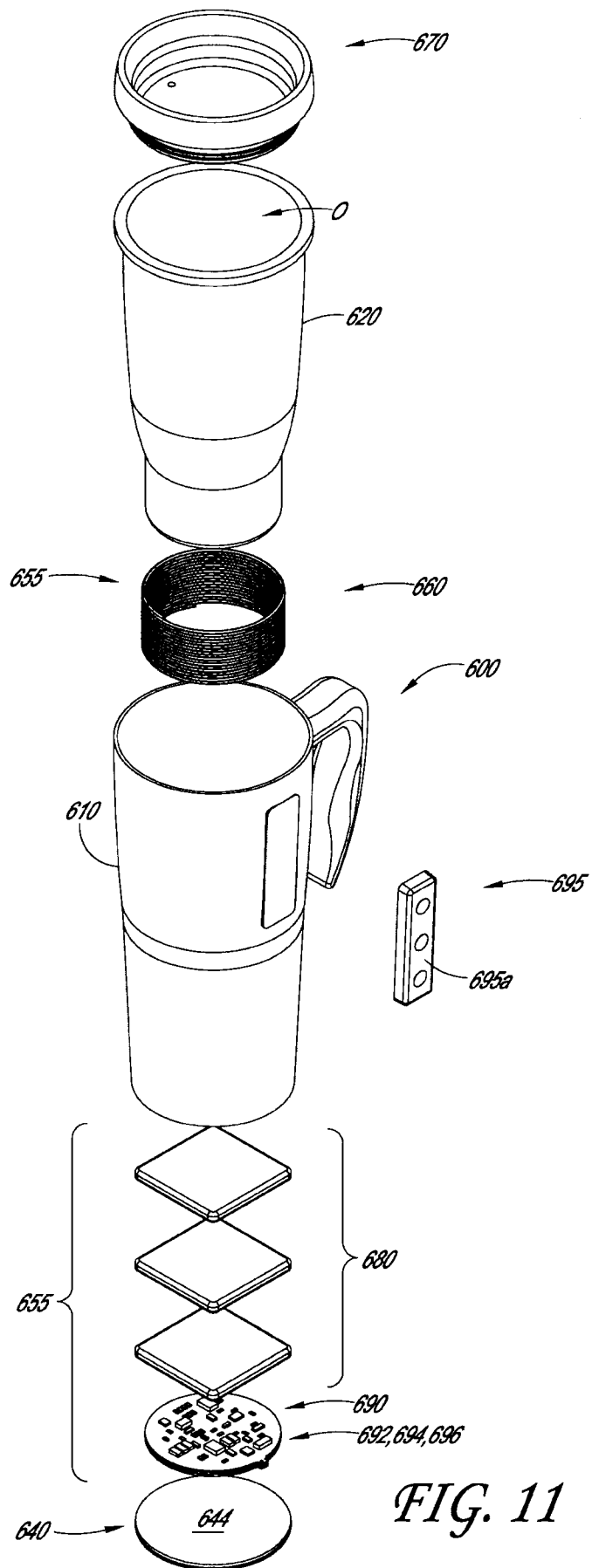
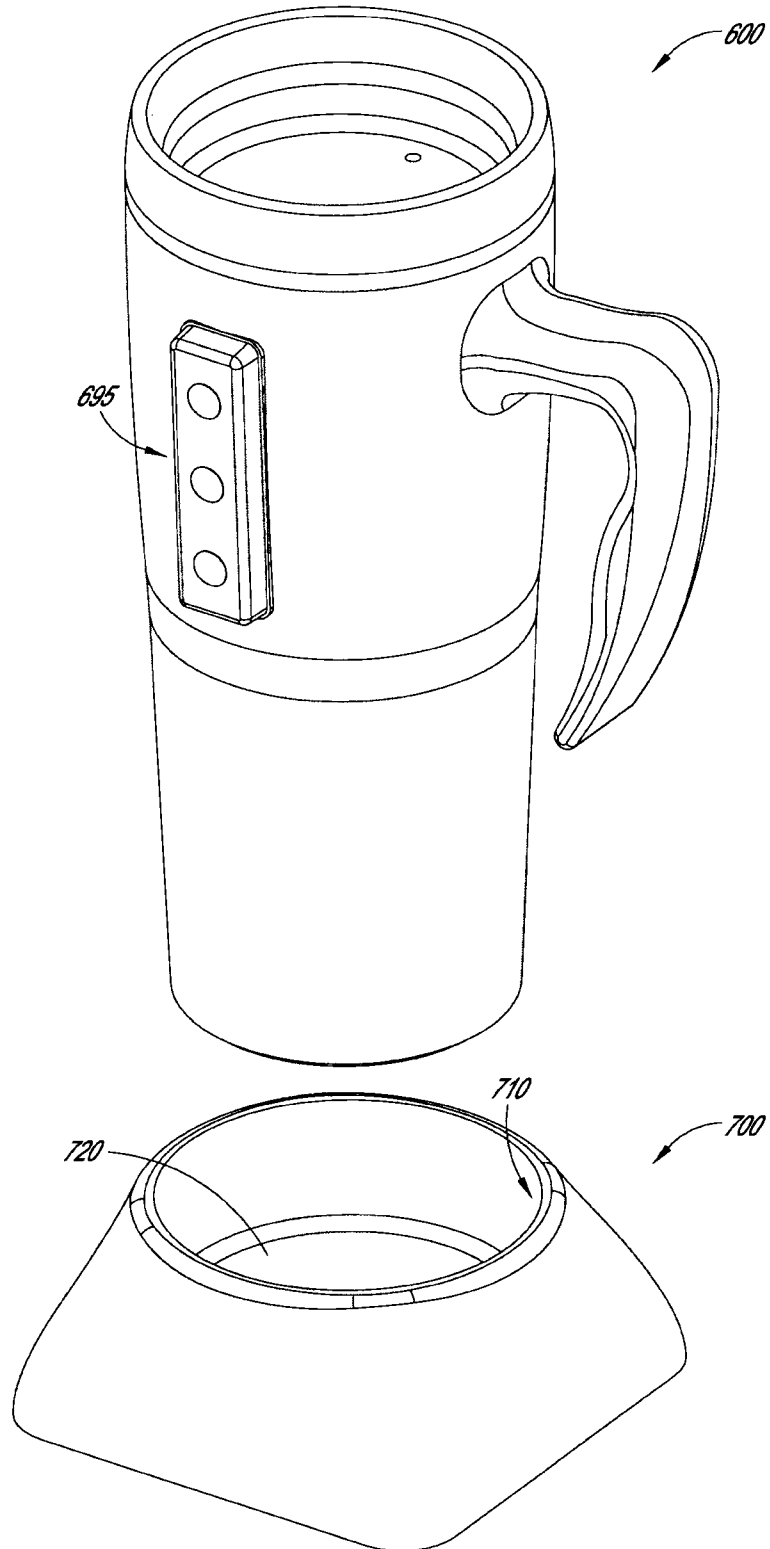


FIG. 11



*FIG. 12*

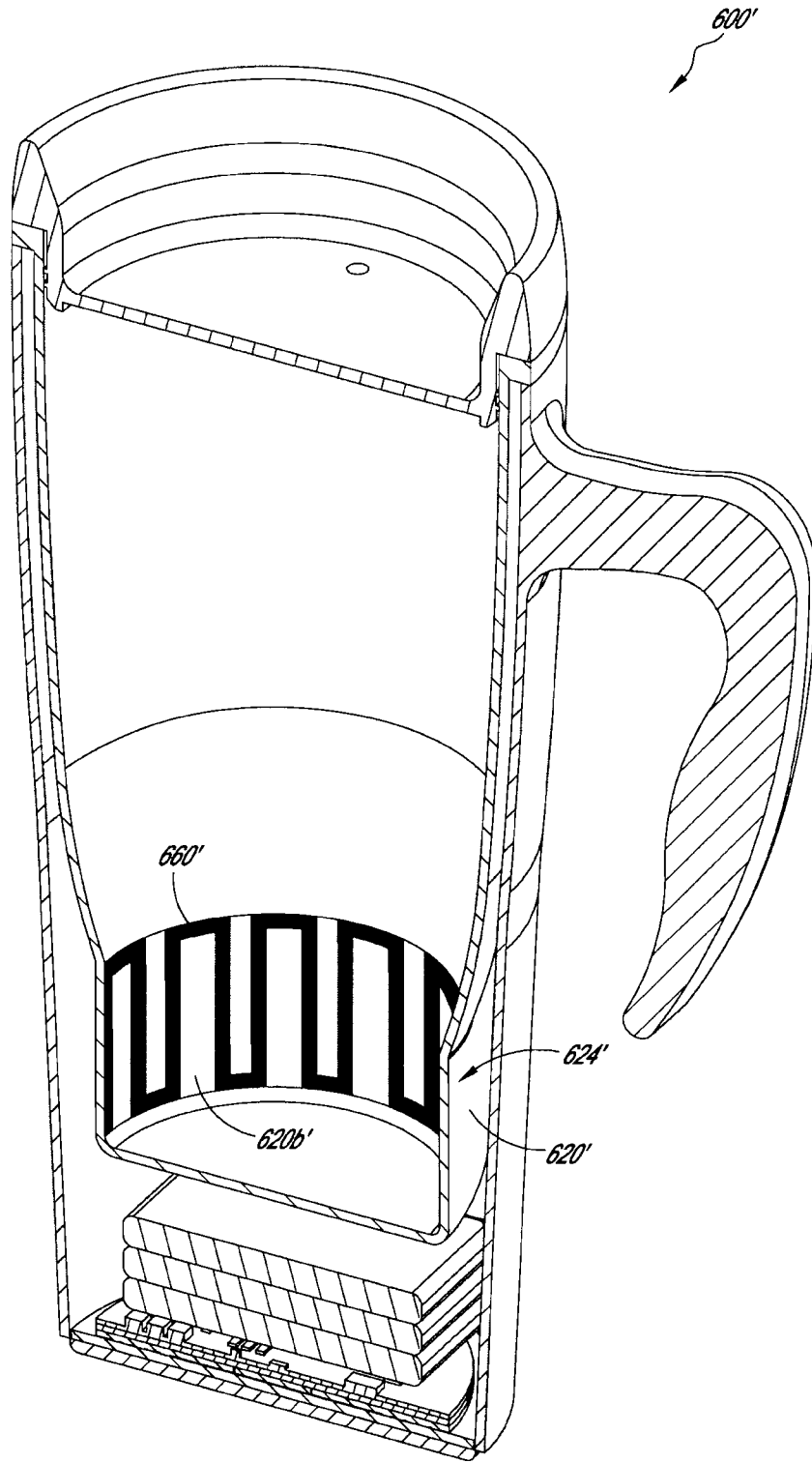


FIG. 13

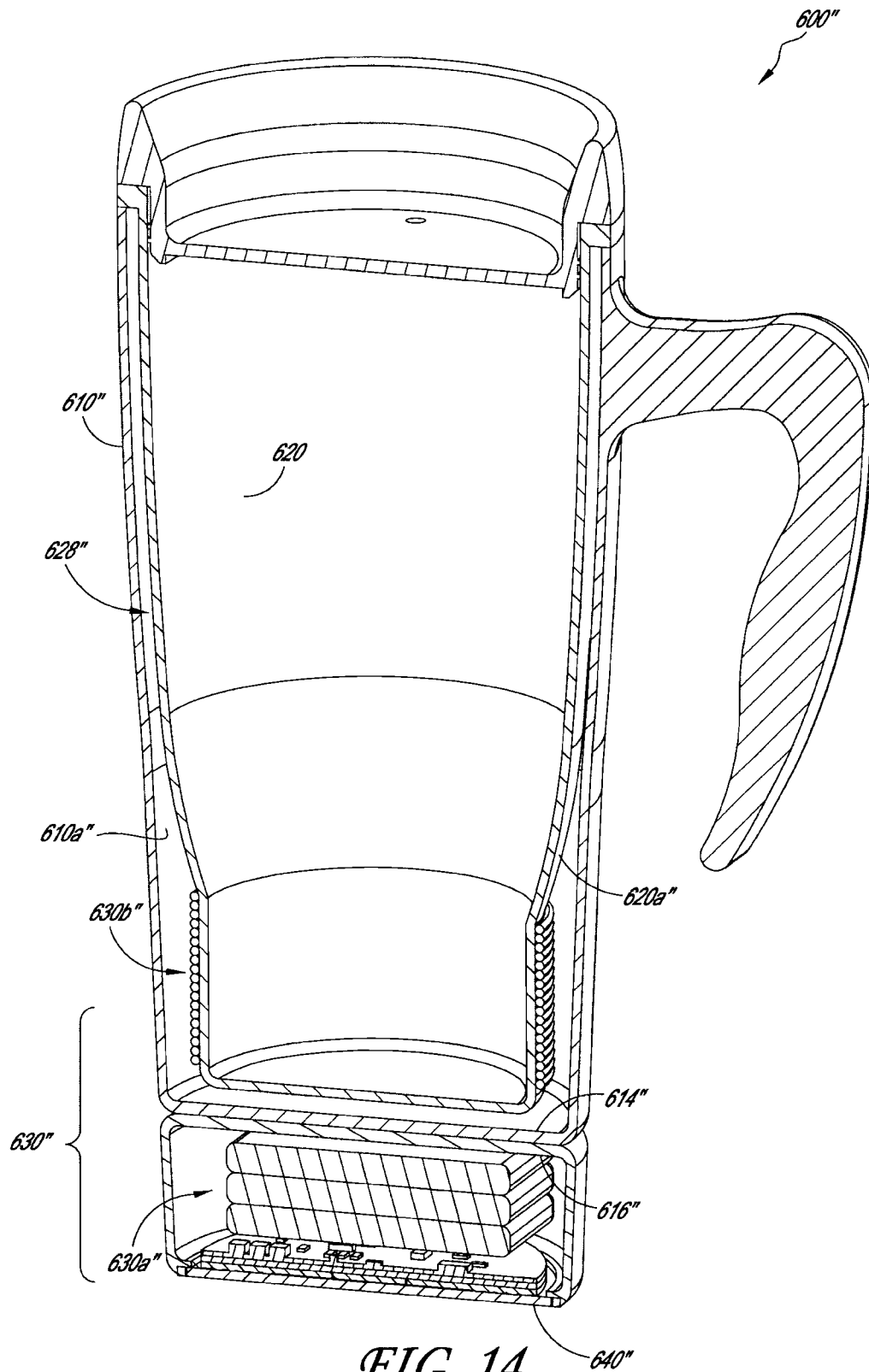
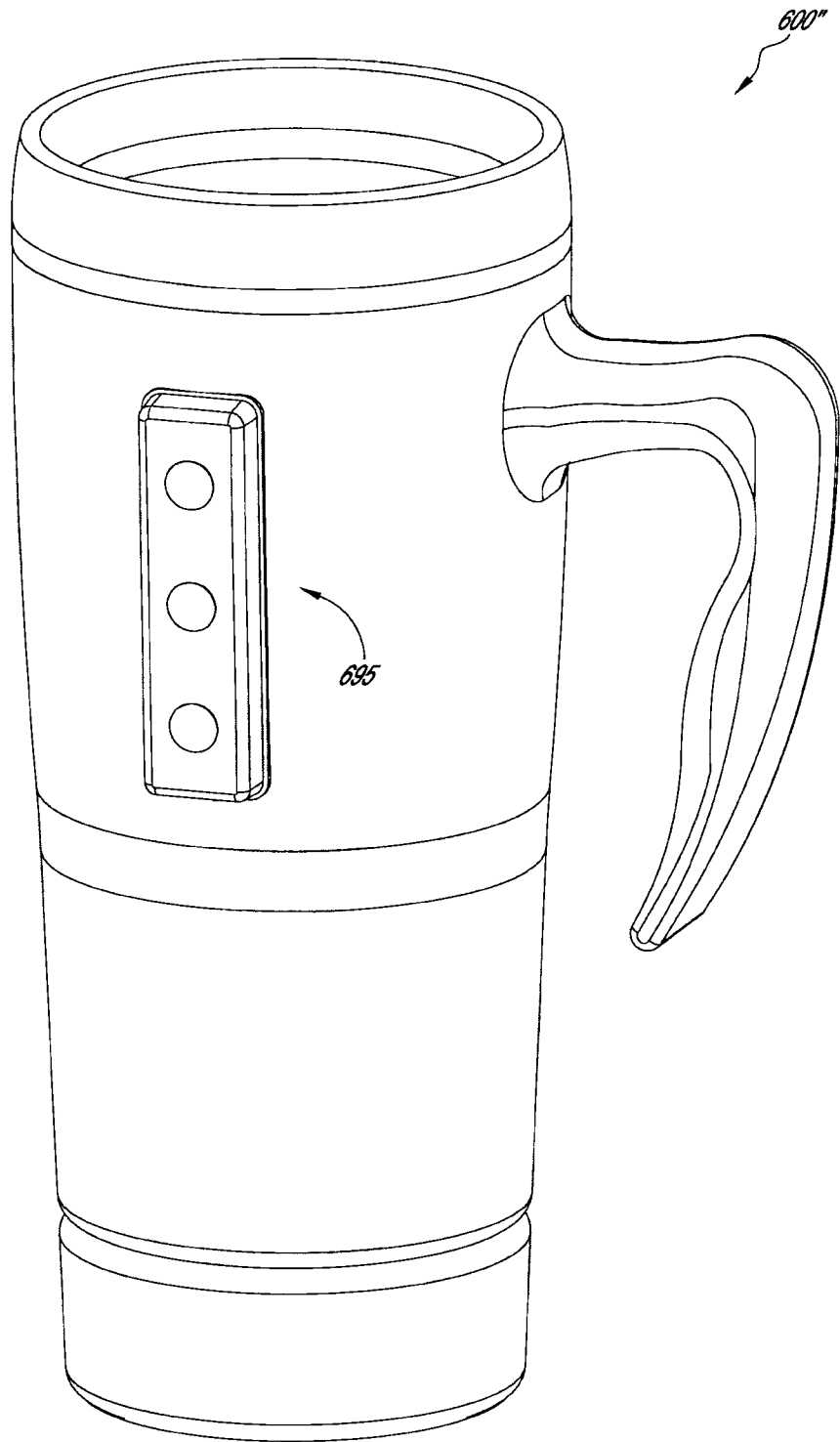


FIG. 14



*FIG. 15*

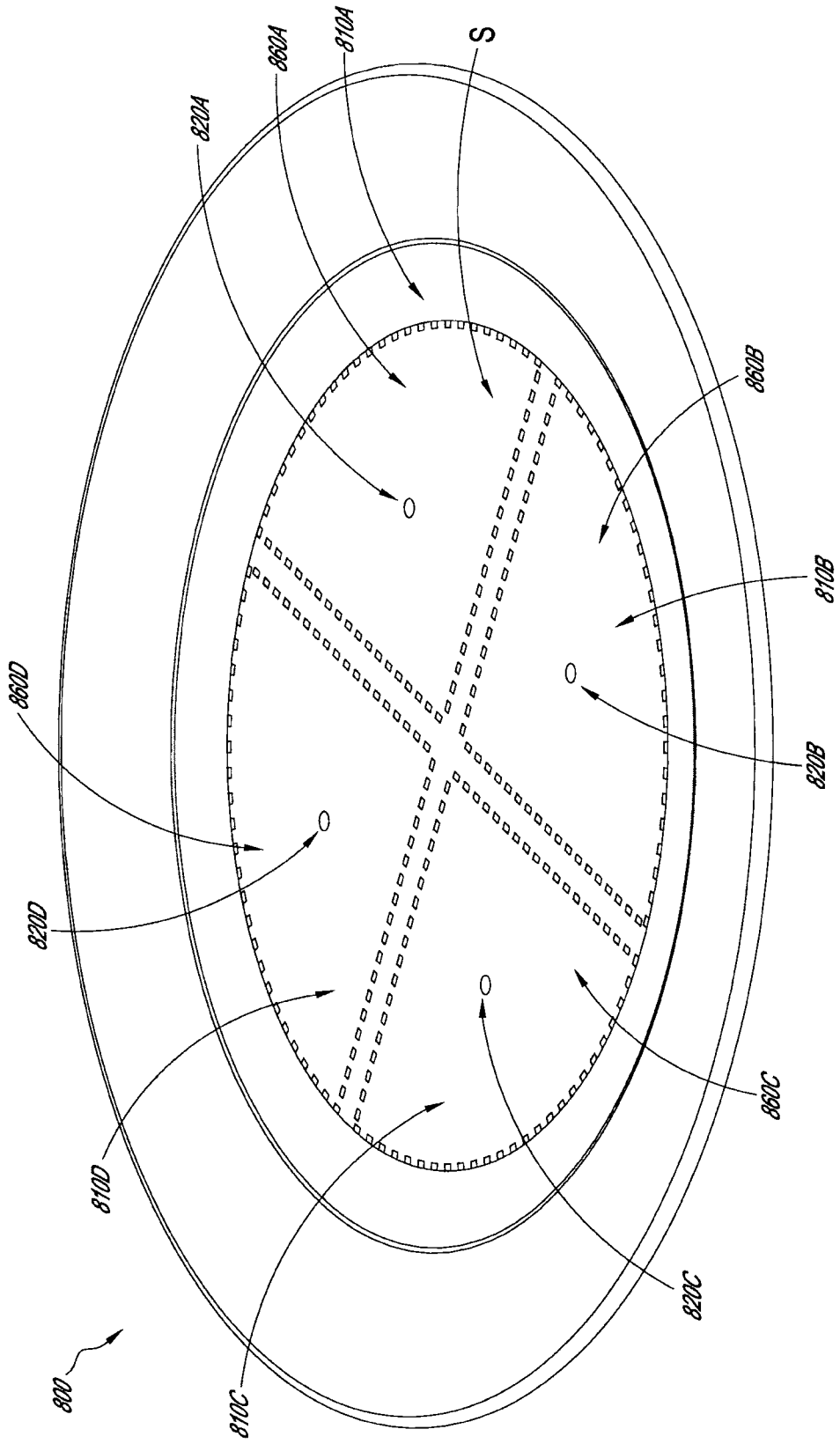


FIG. 16

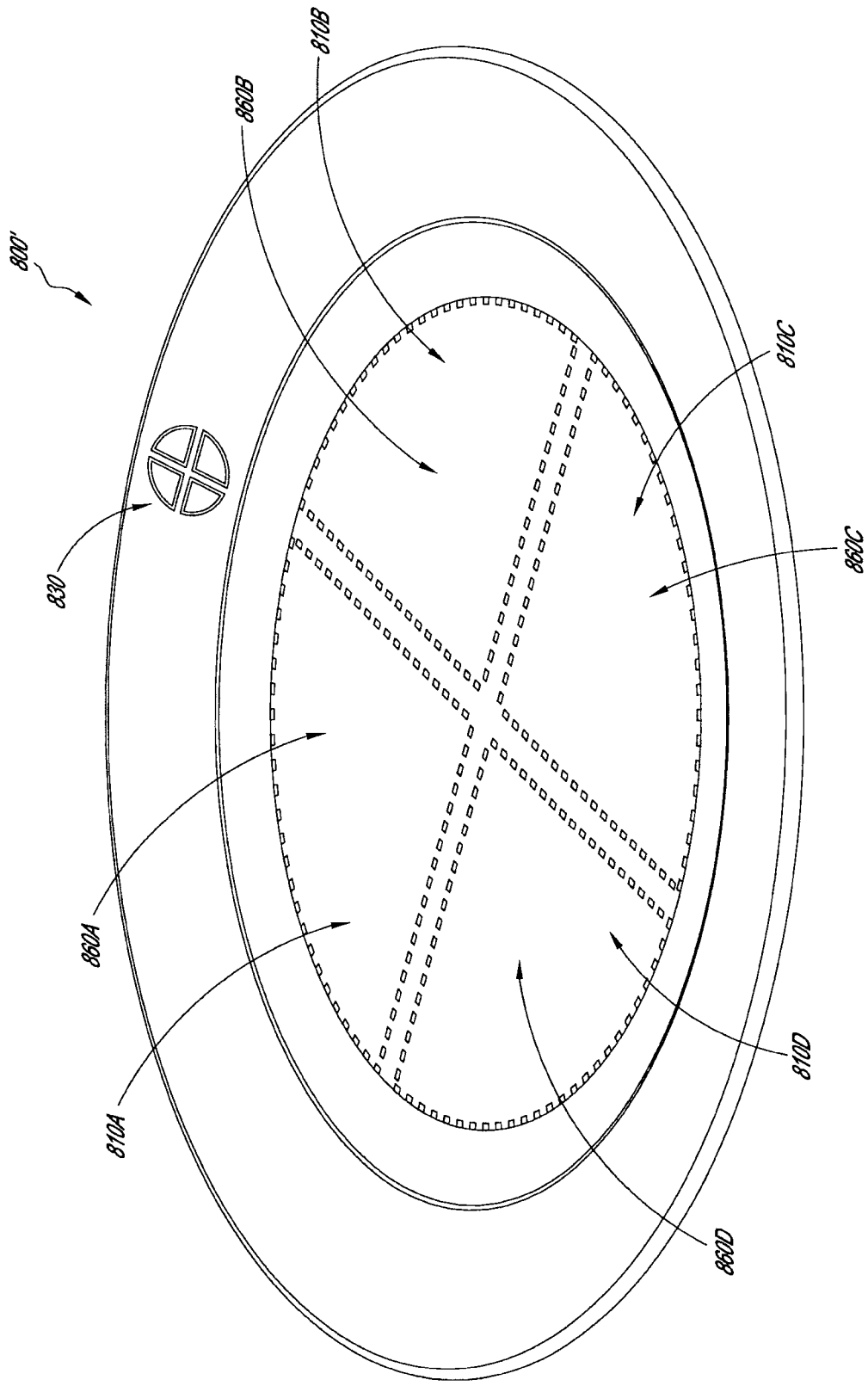


FIG. 17

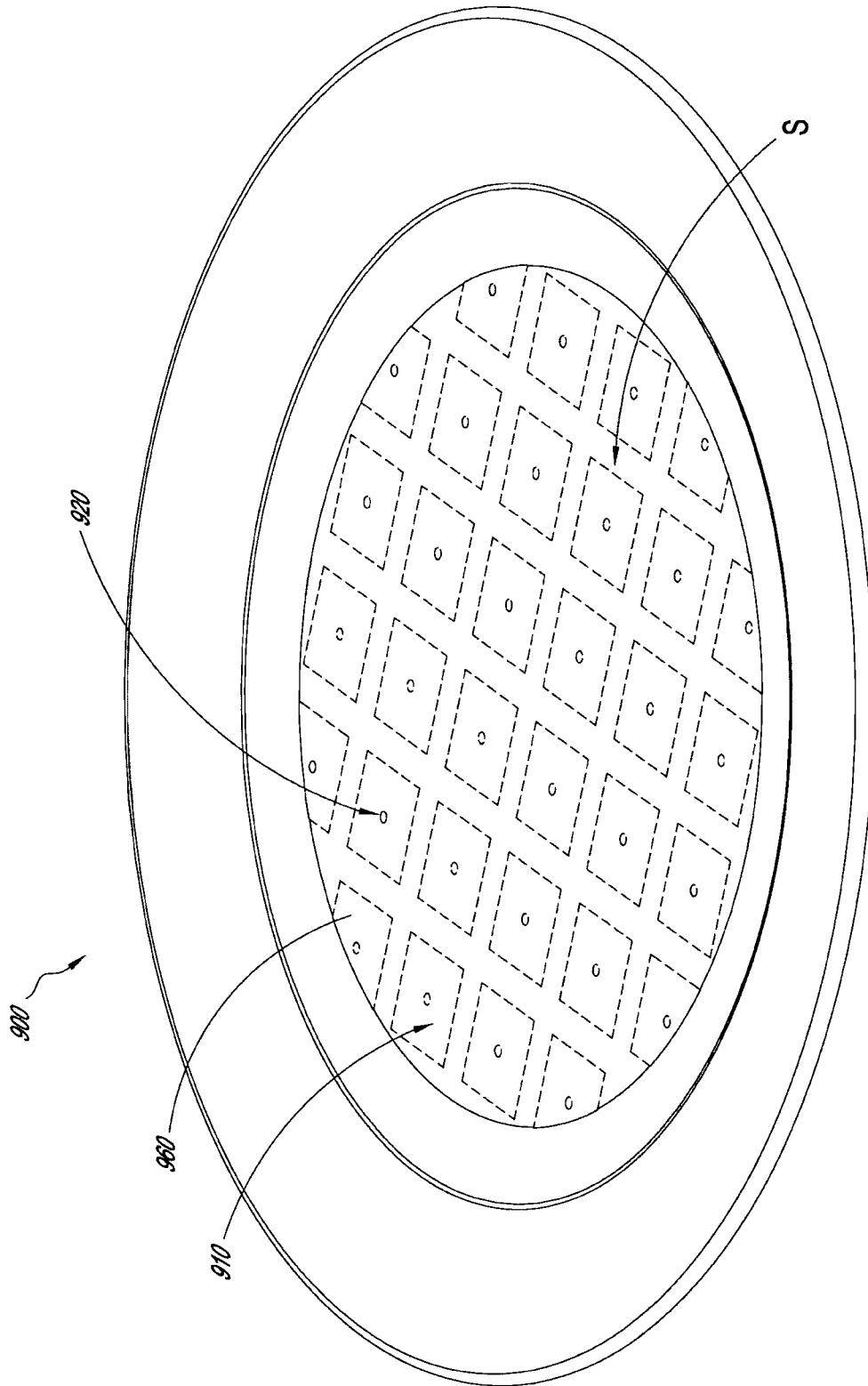
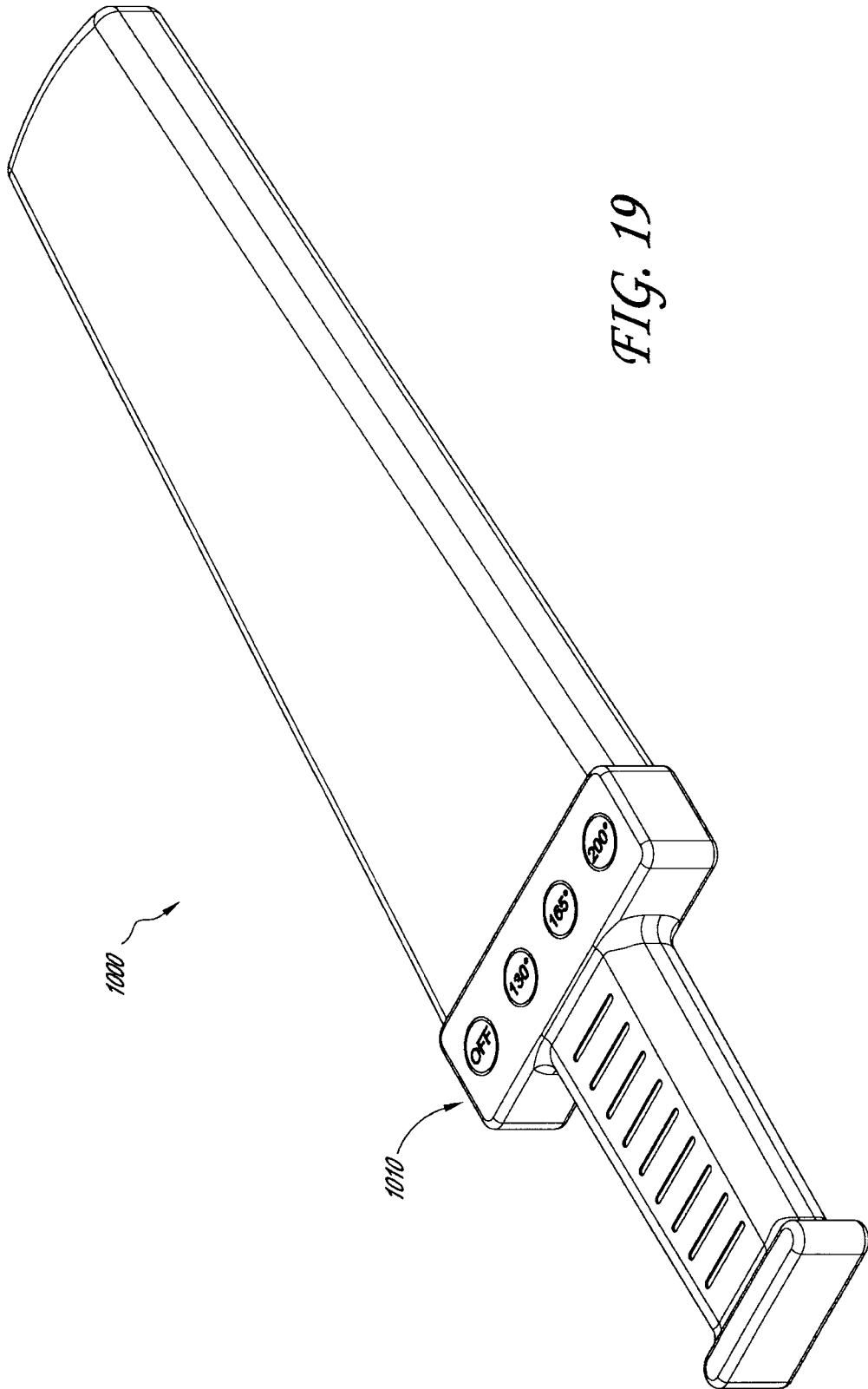


FIG. 18



*FIG. 19*

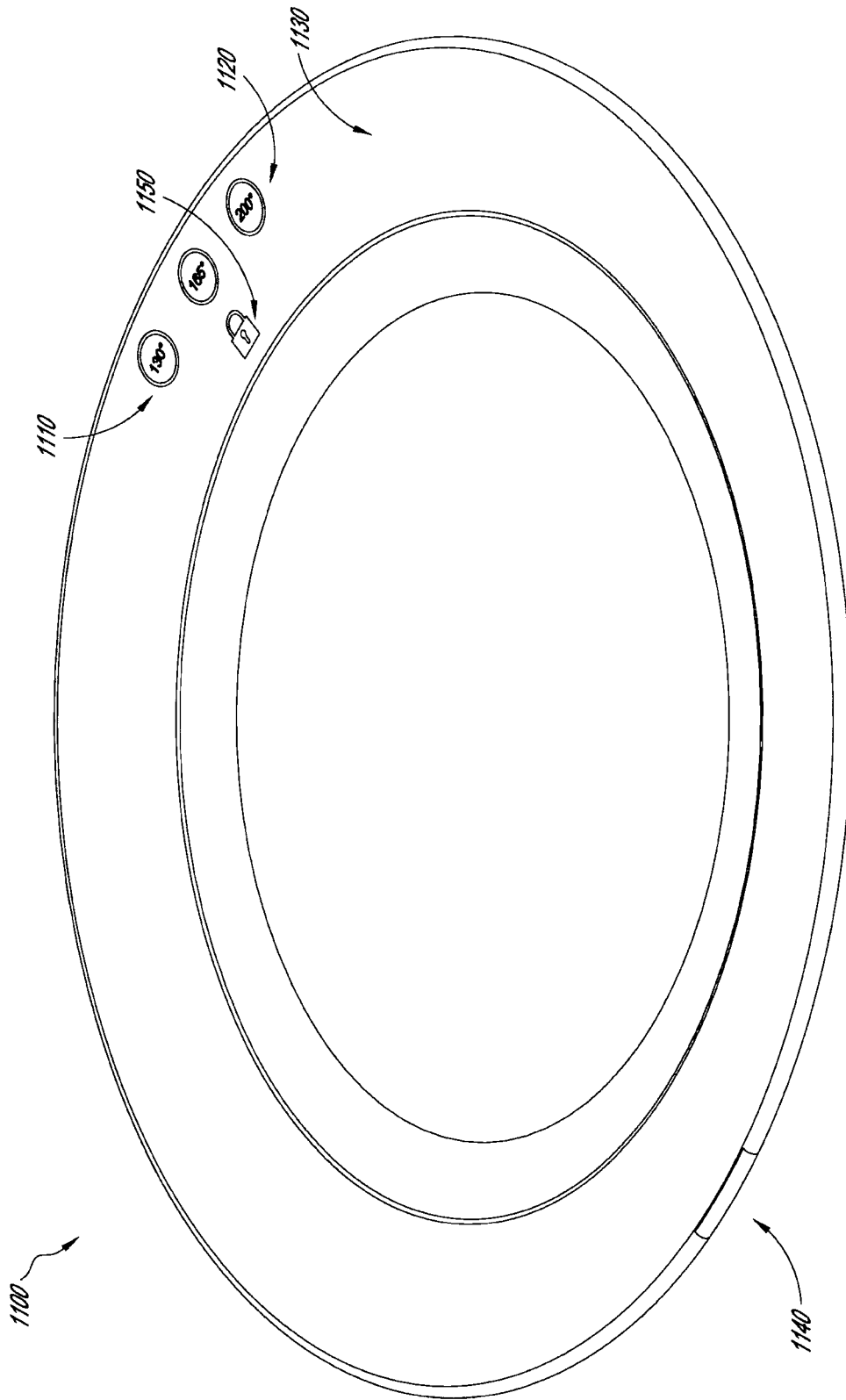


FIG. 20

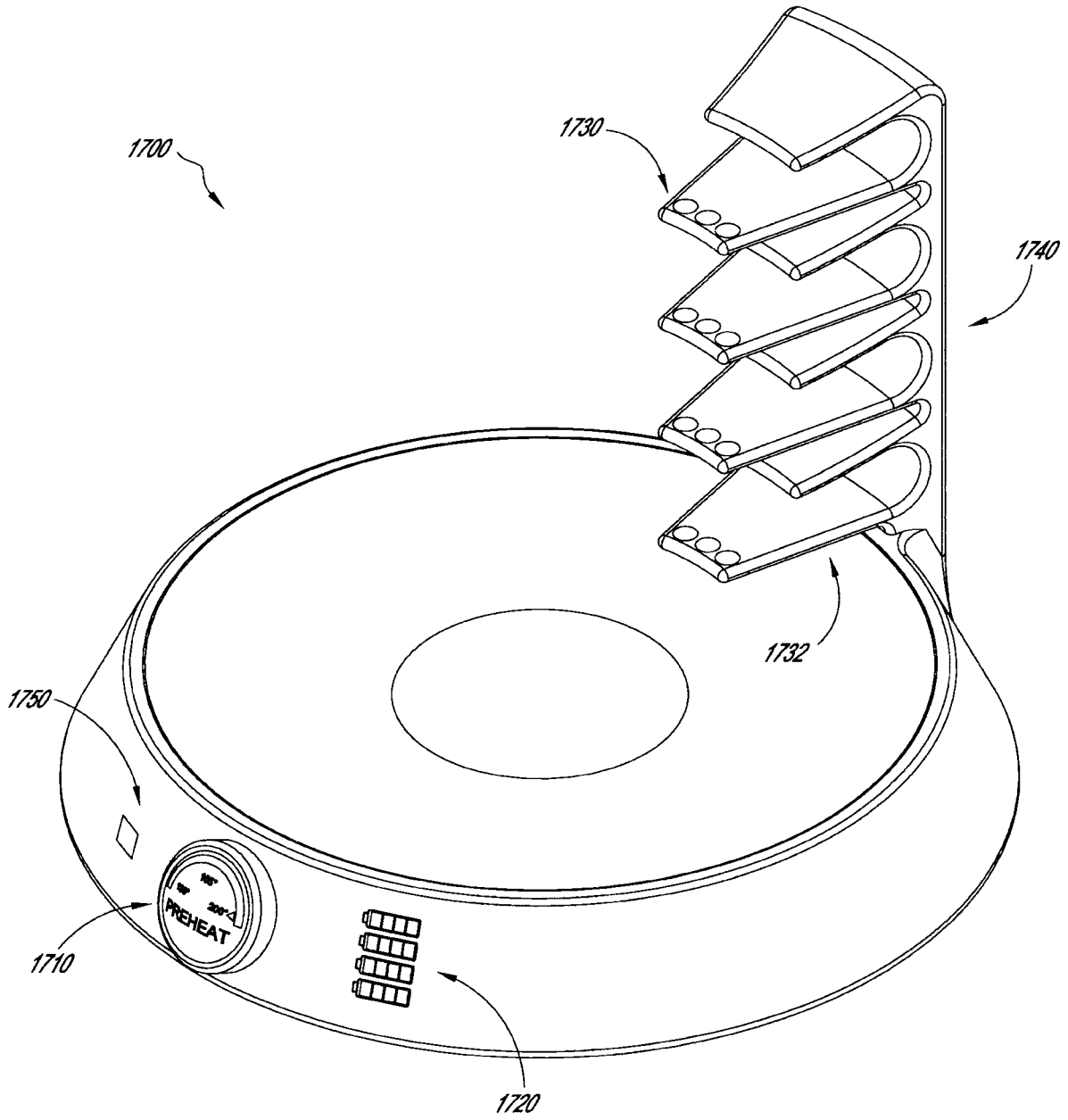
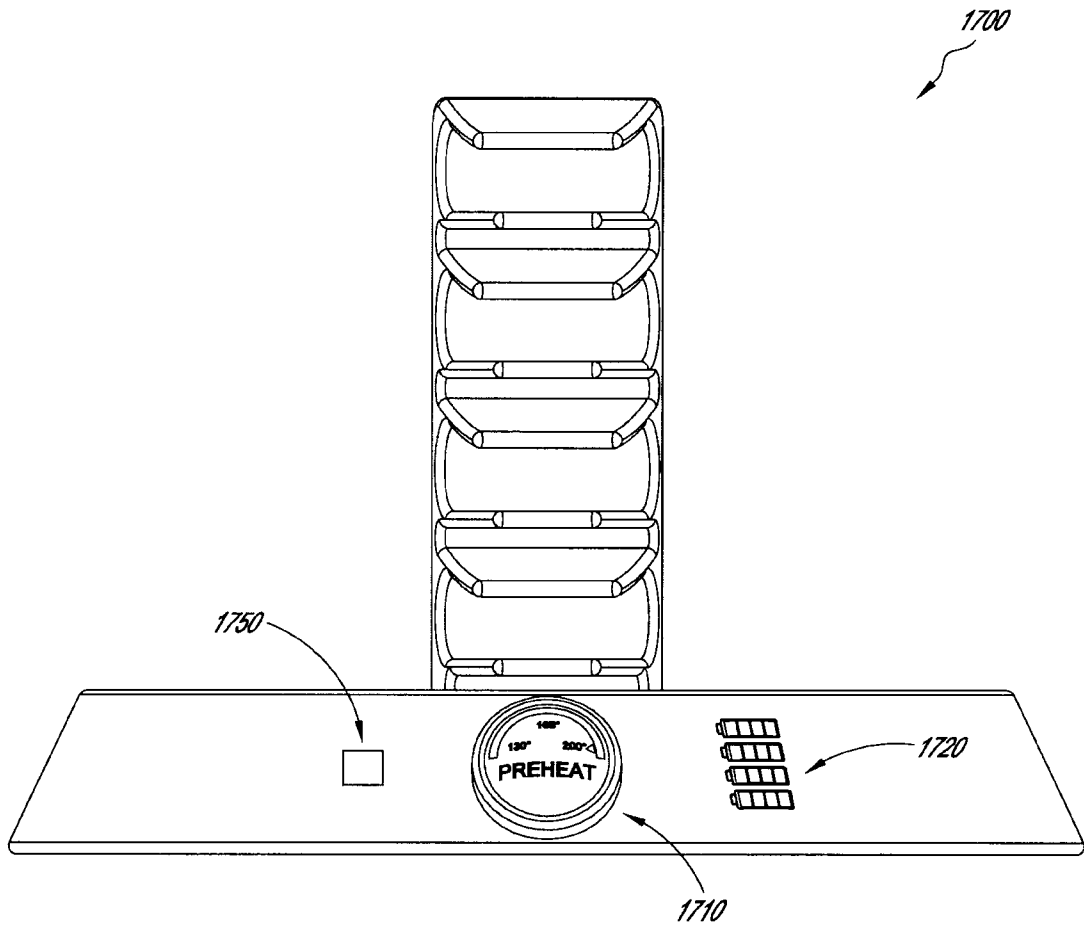


FIG. 21



*FIG. 22*

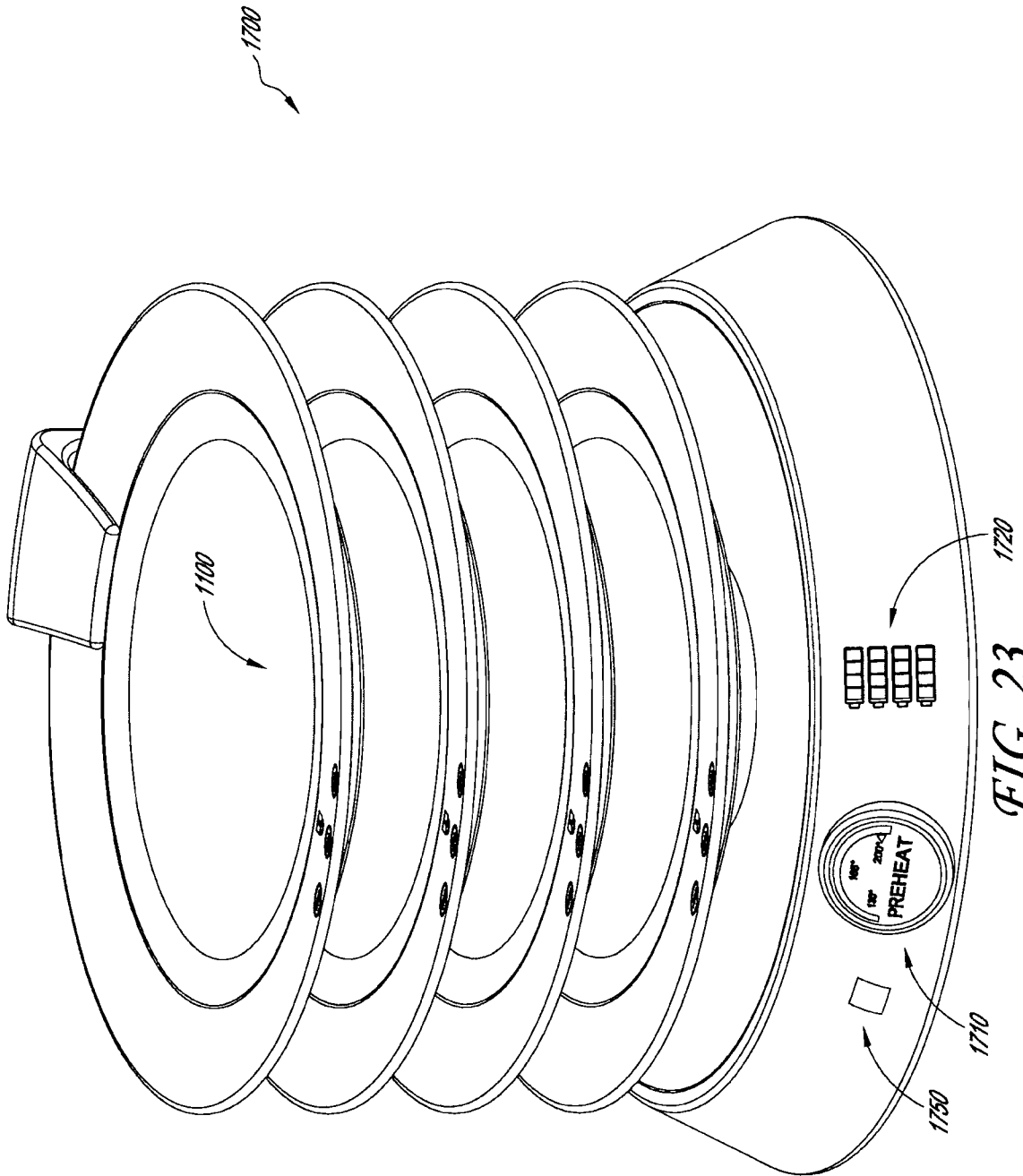


FIG. 23

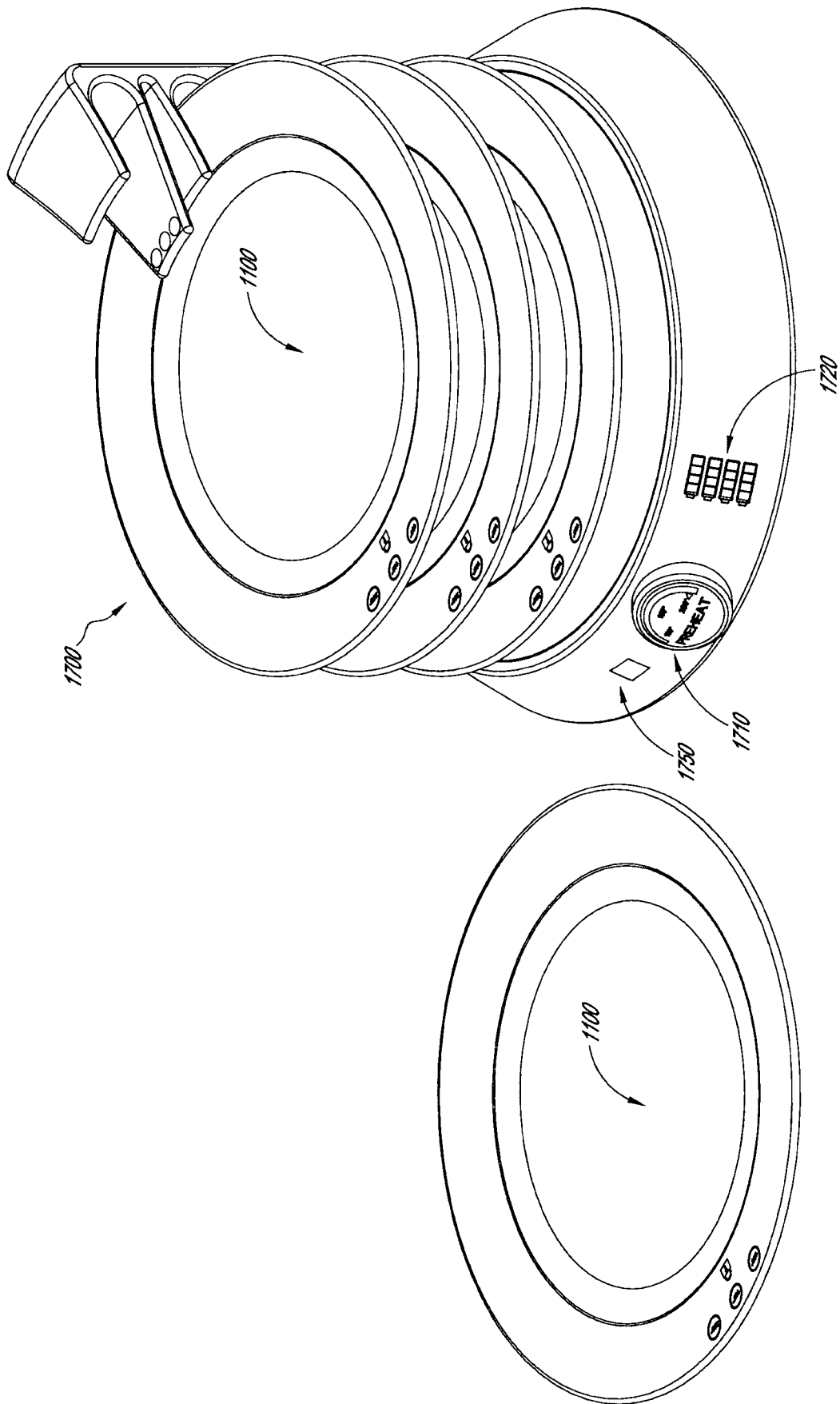


FIG. 24

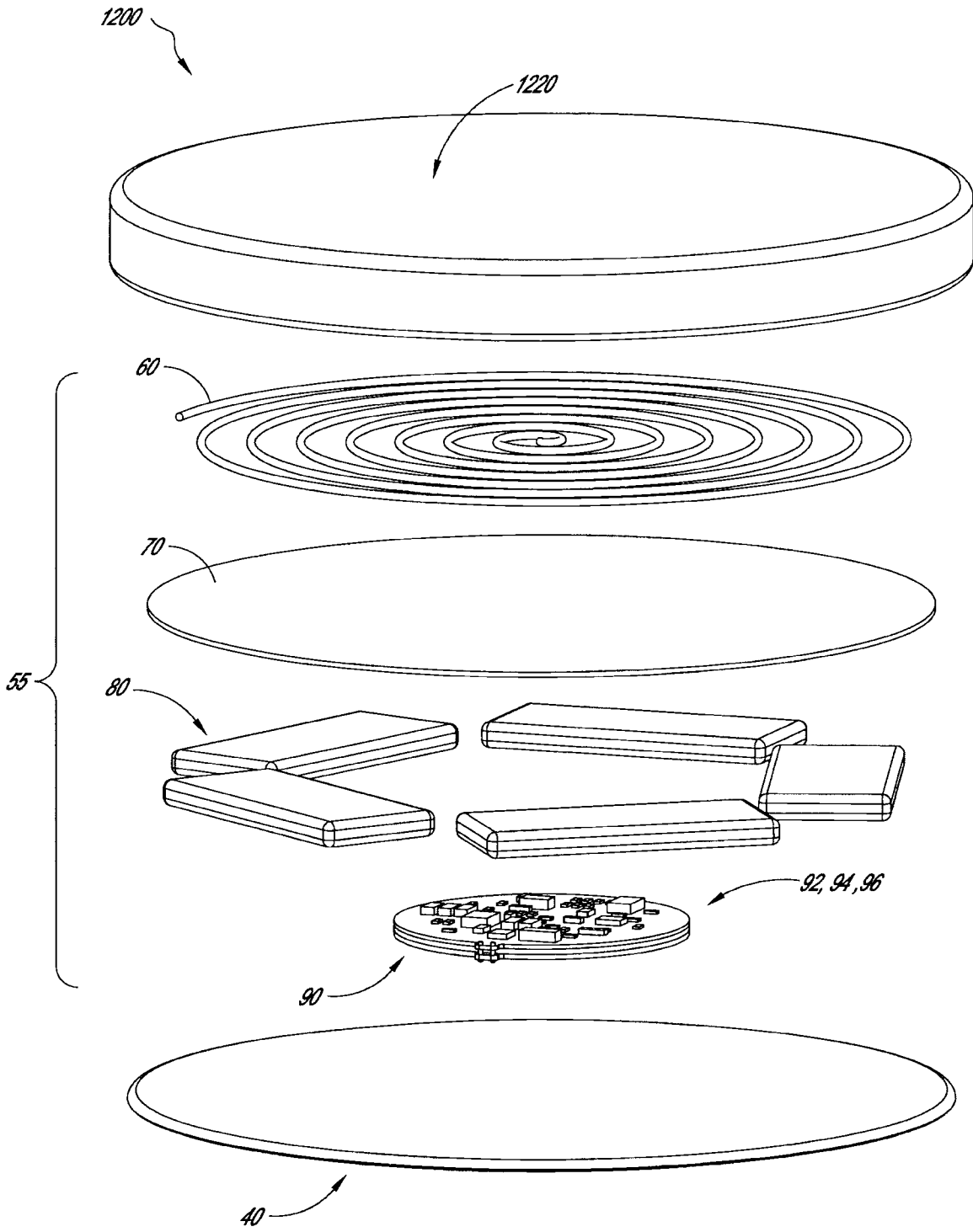
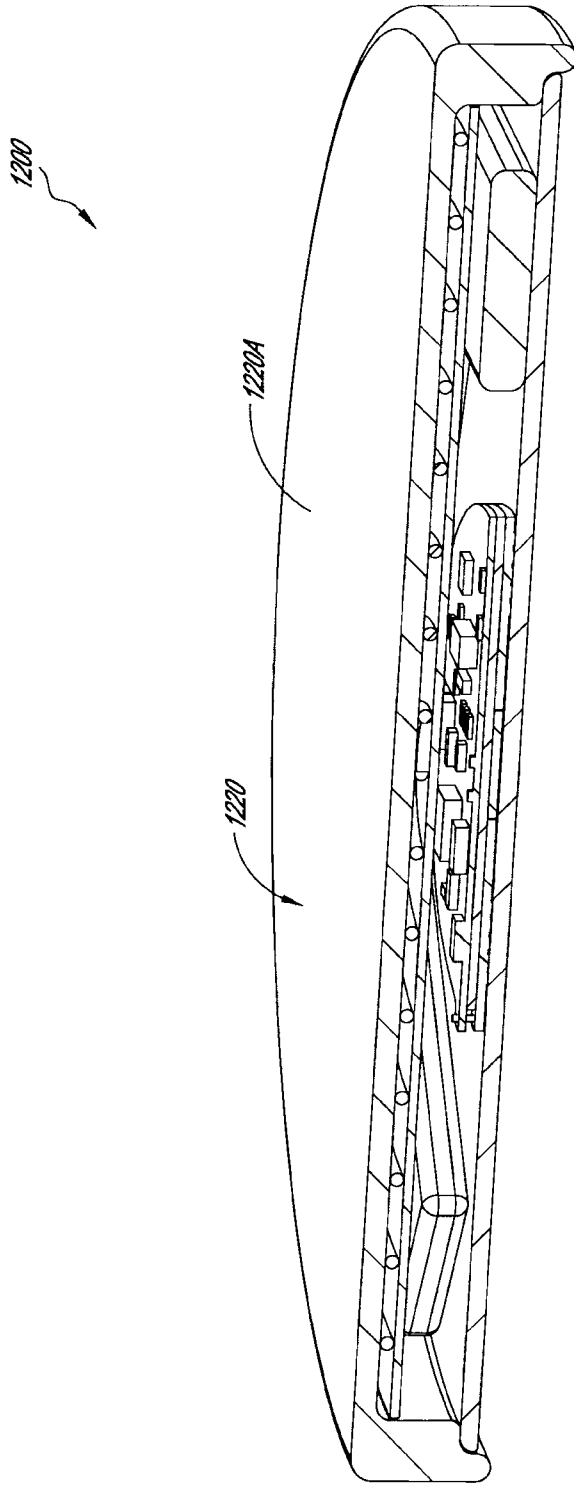


FIG. 25



*FIG. 26*

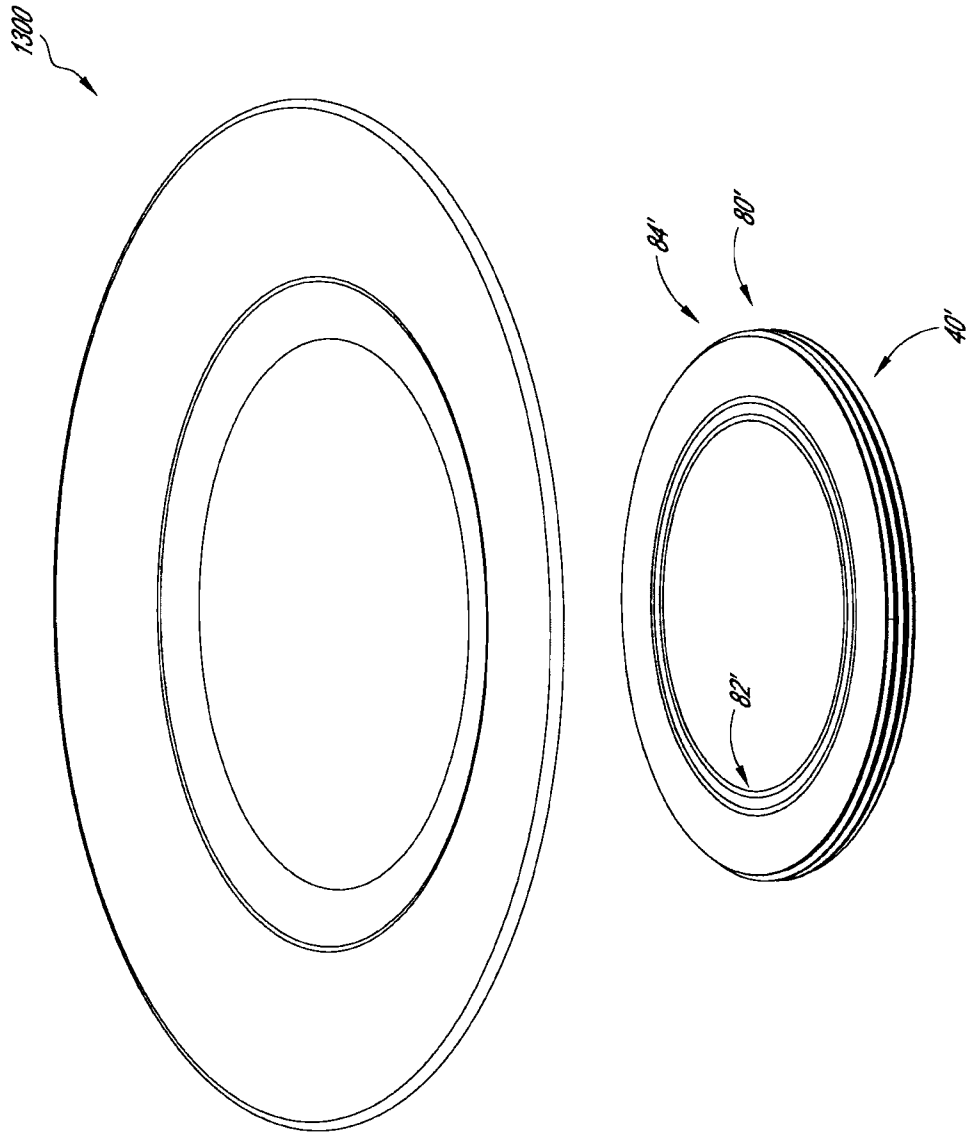


FIG. 27

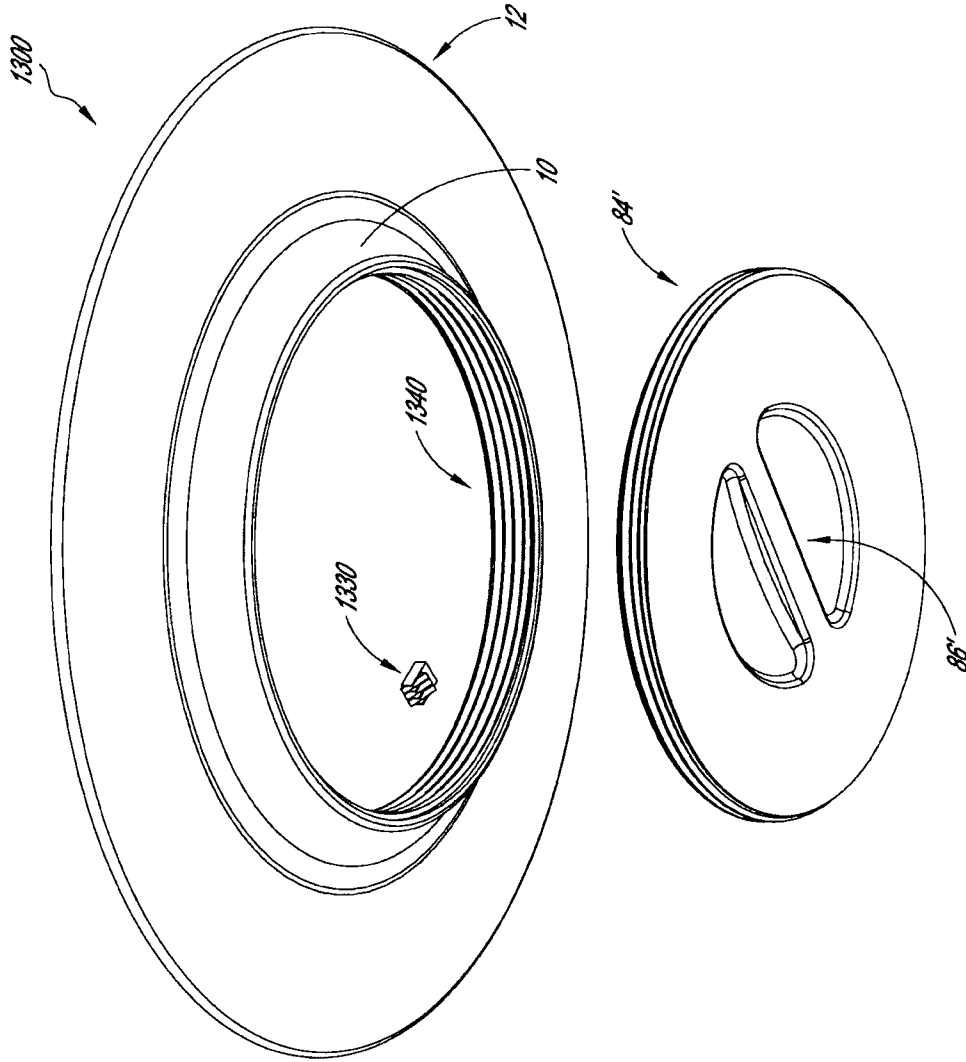


FIG. 28

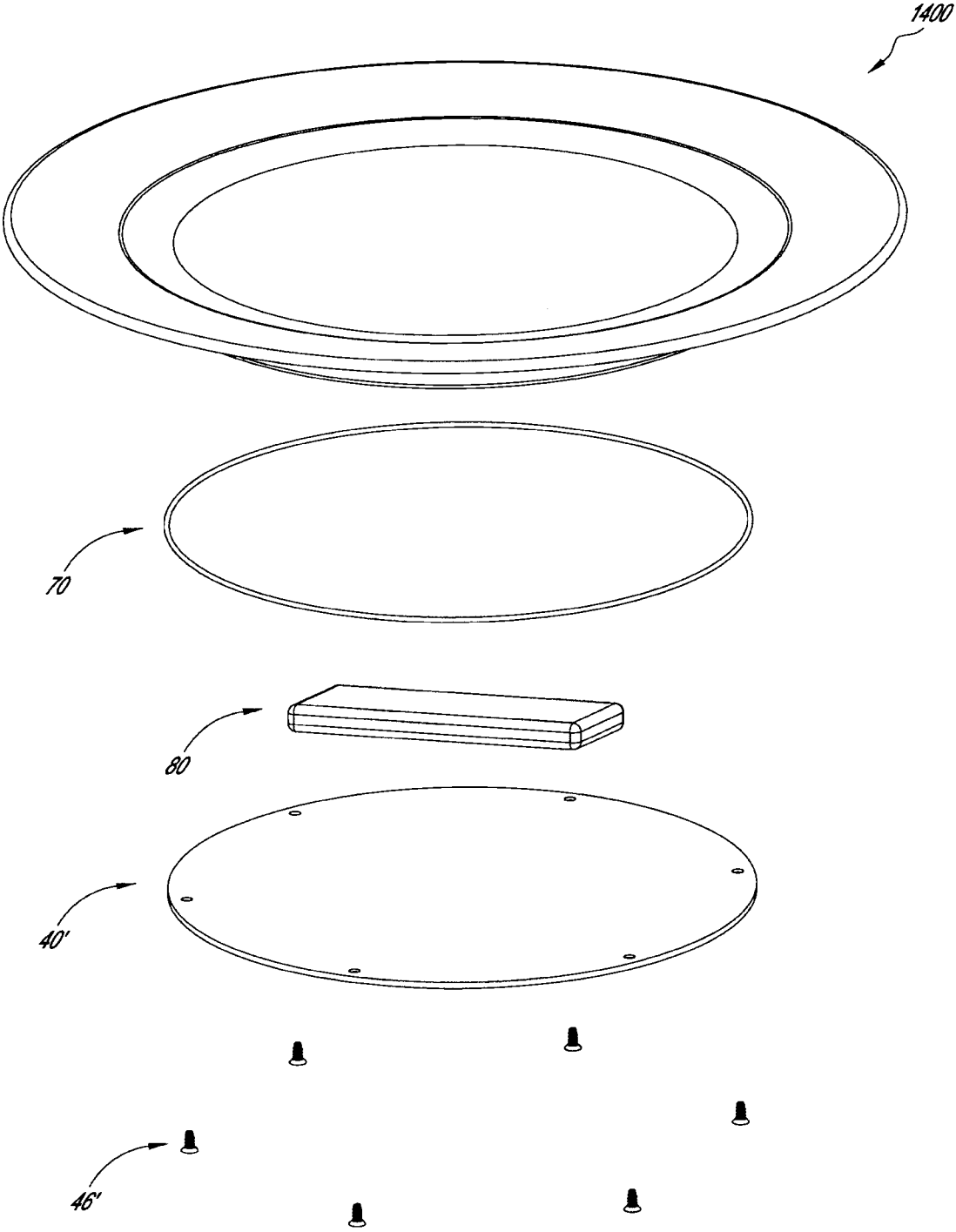


FIG. 29

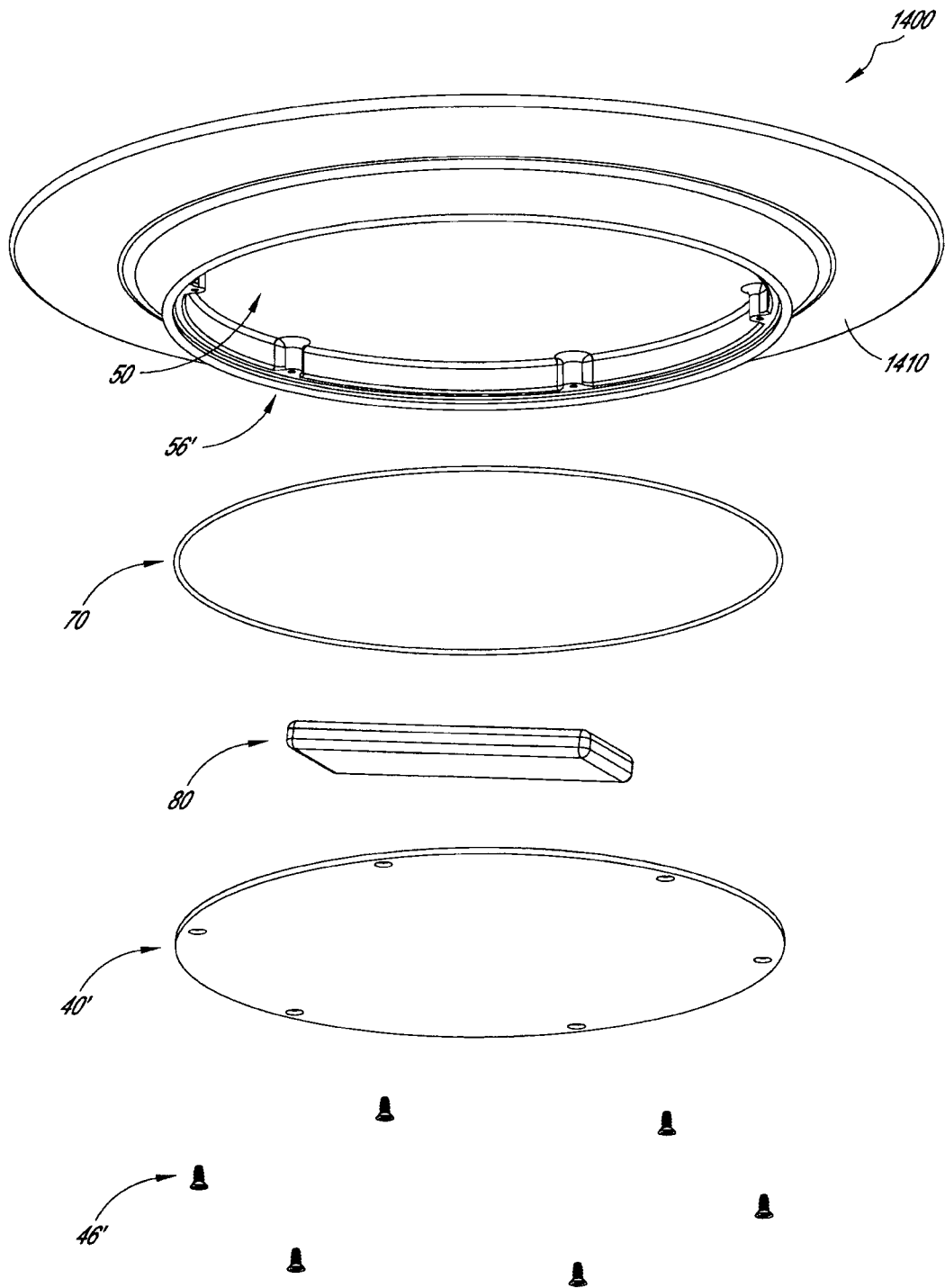


FIG. 30

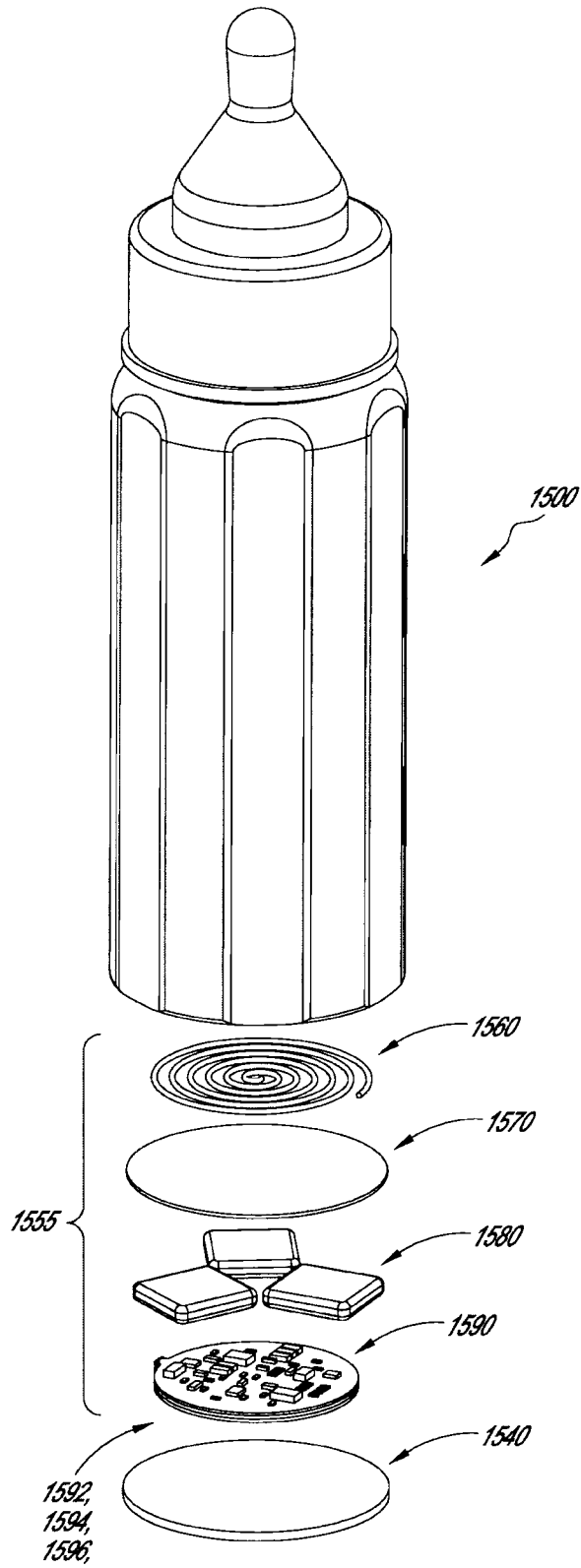
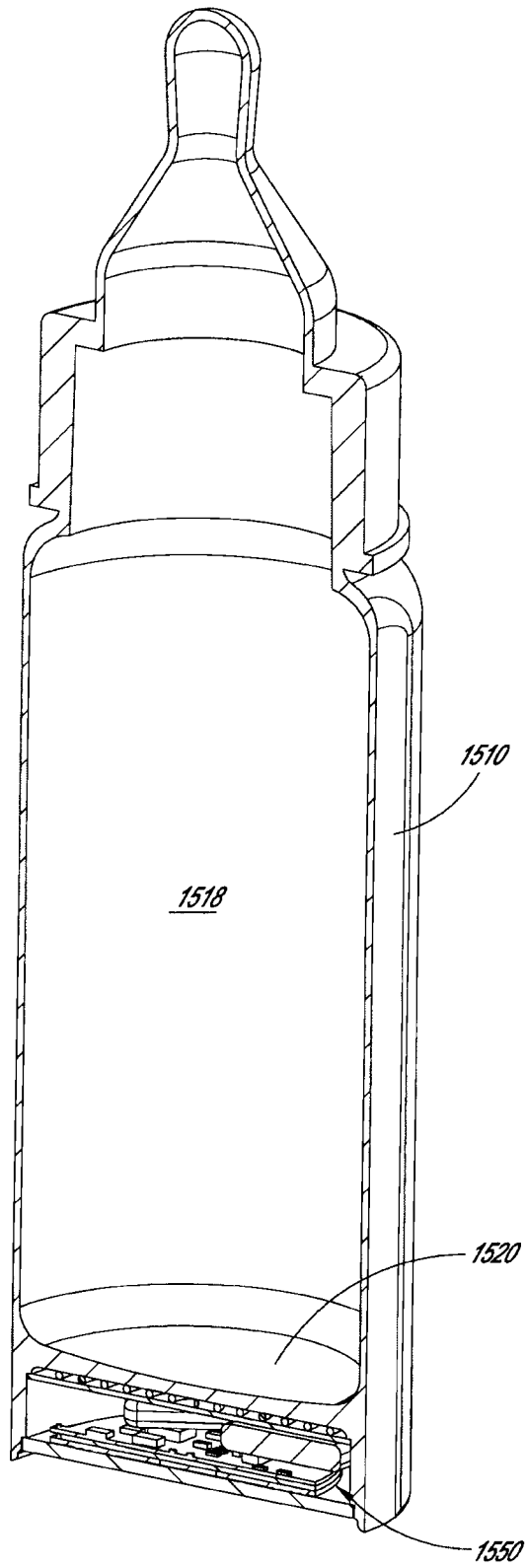


FIG. 31



*FIG. 32*

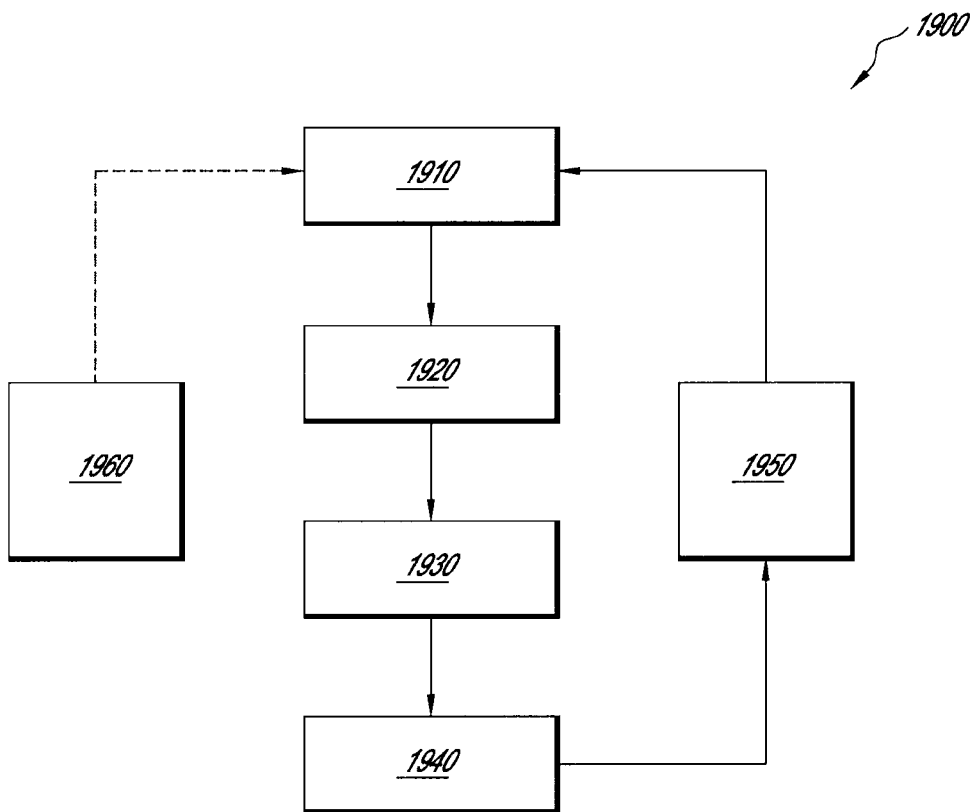
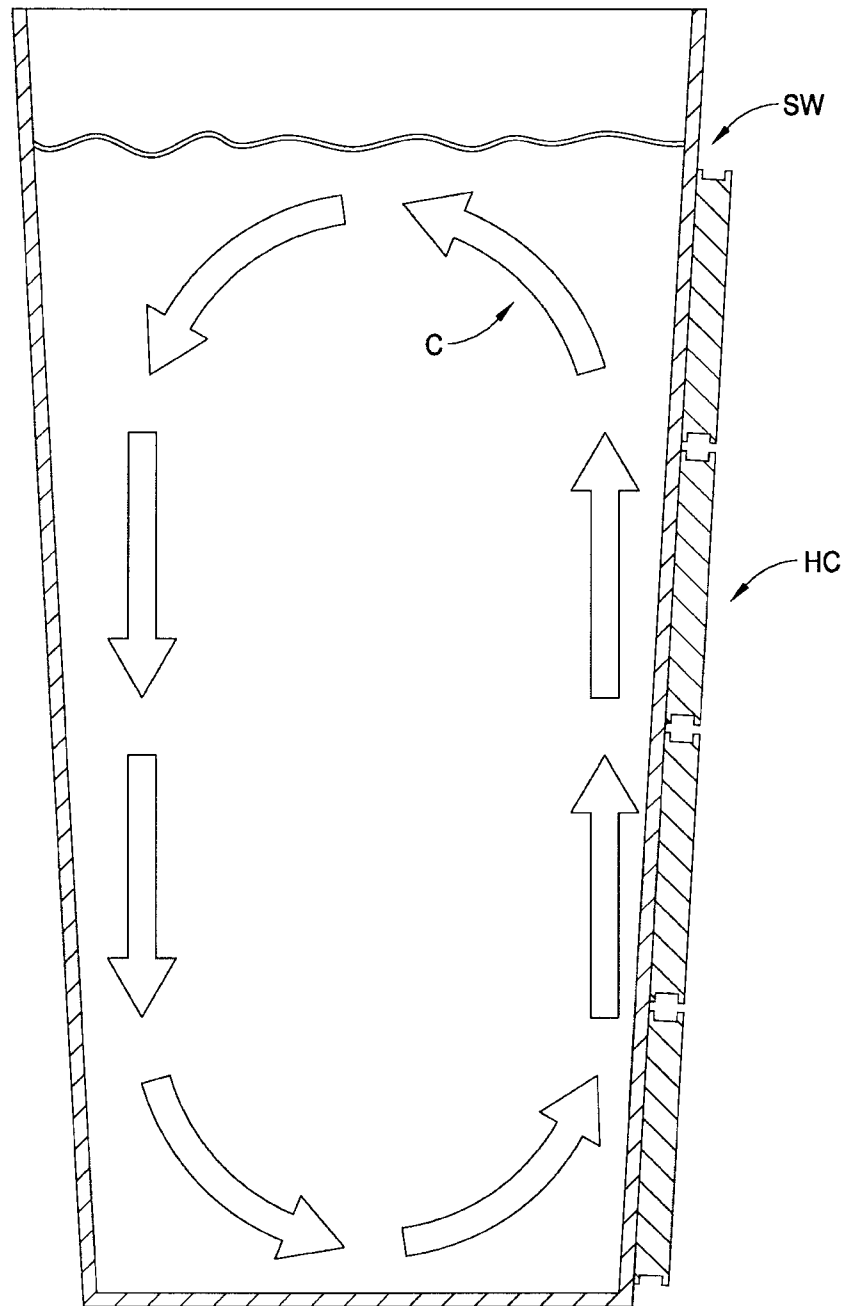
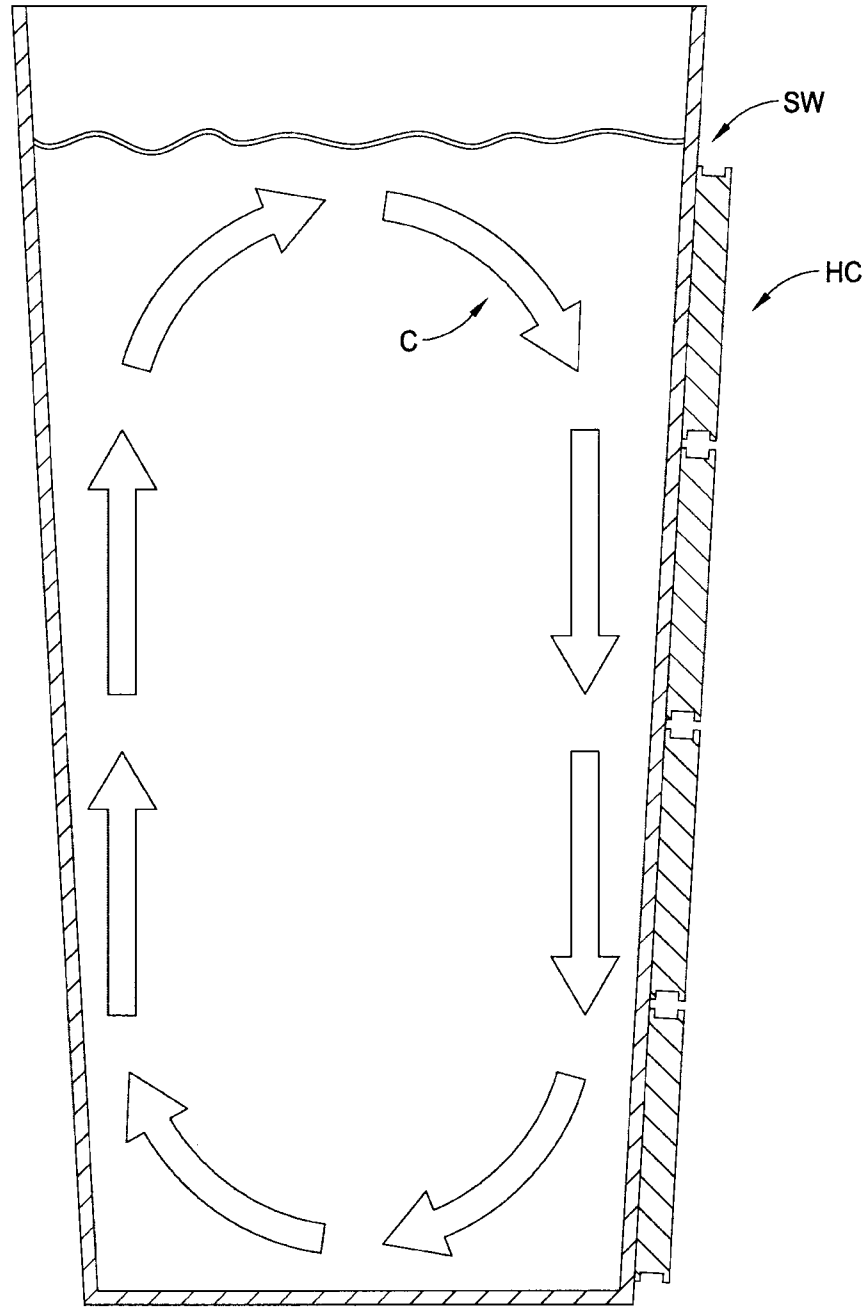


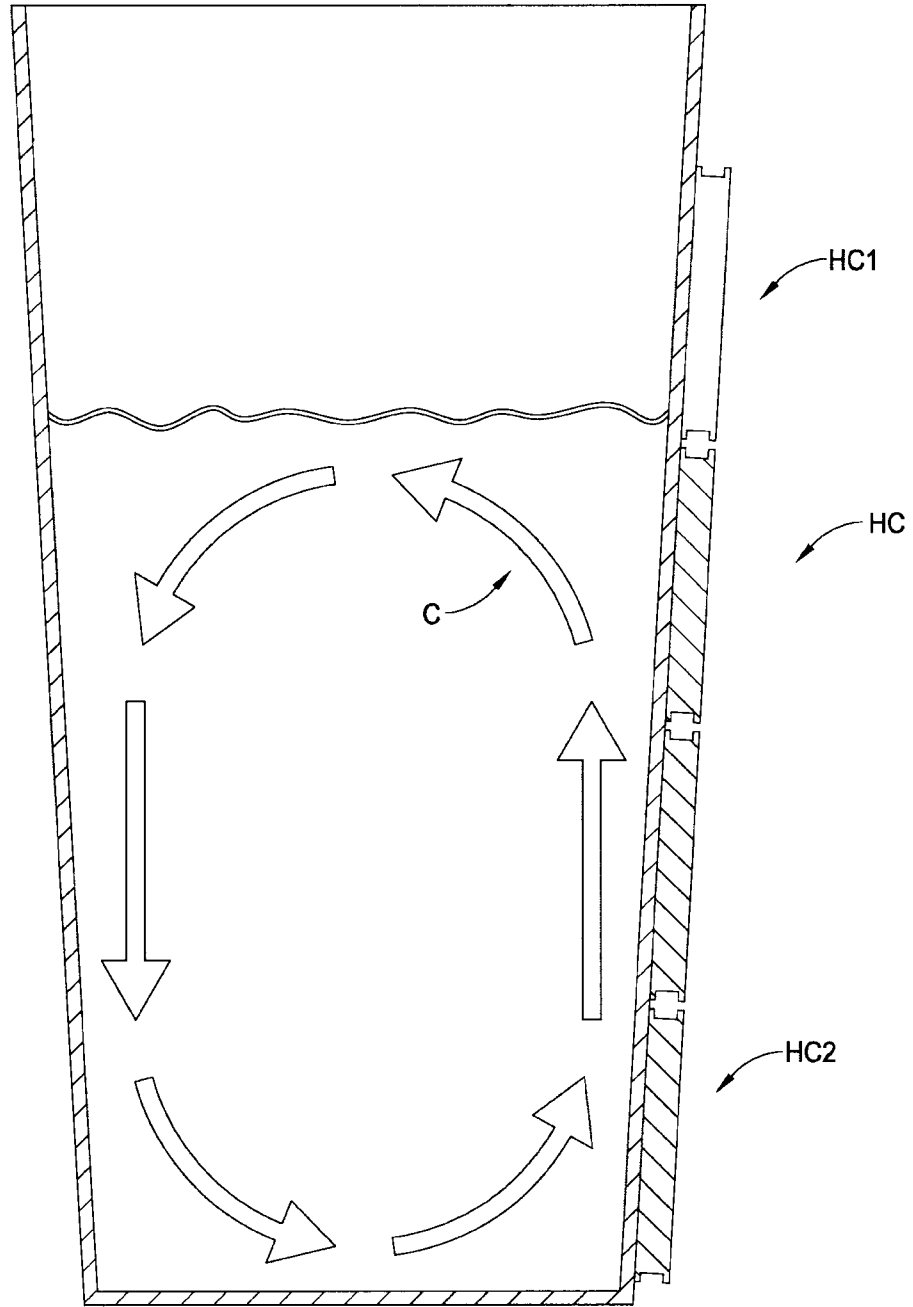
FIG. 33



*FIG. 34A*



*FIG. 34B*



*FIG. 34C*

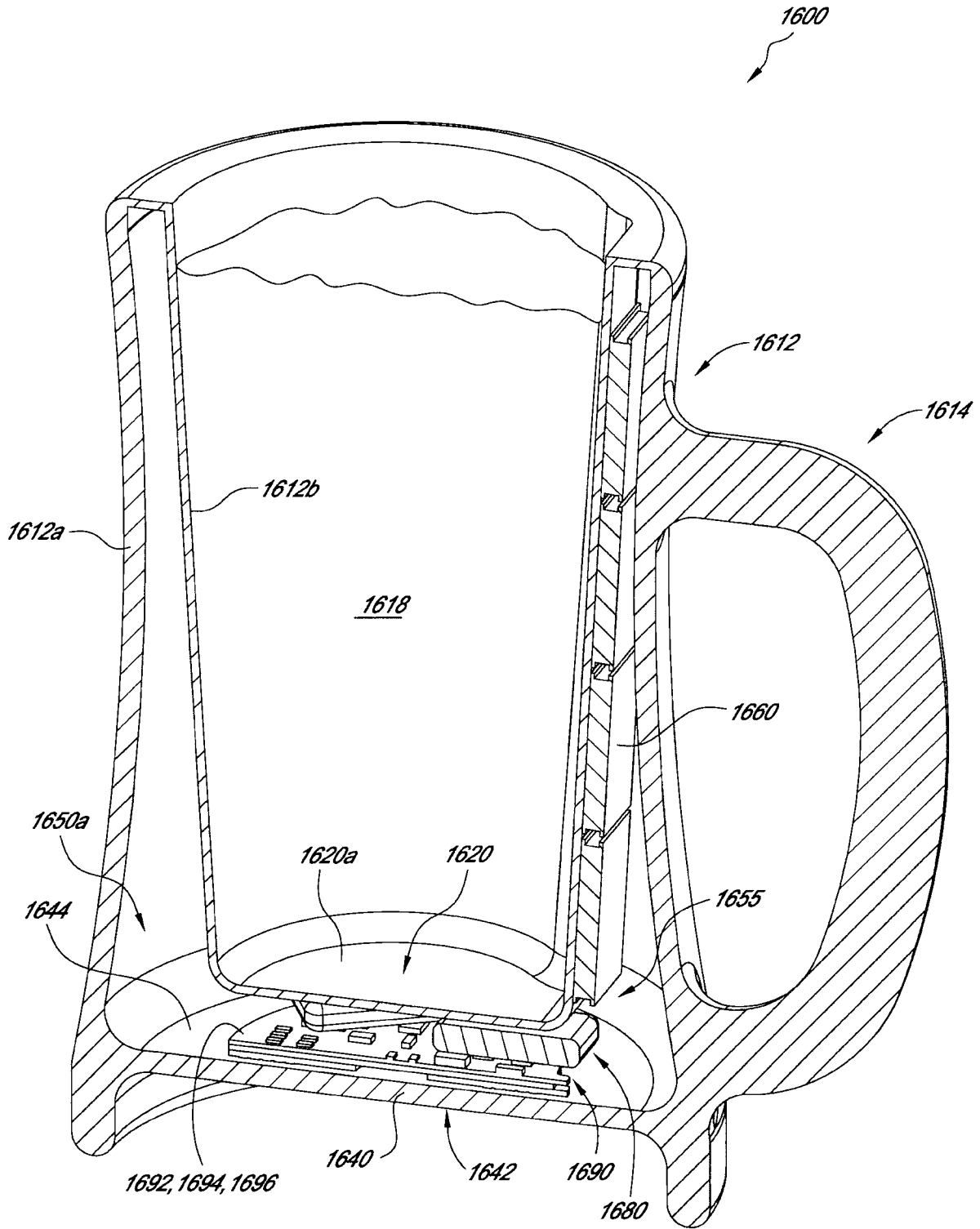
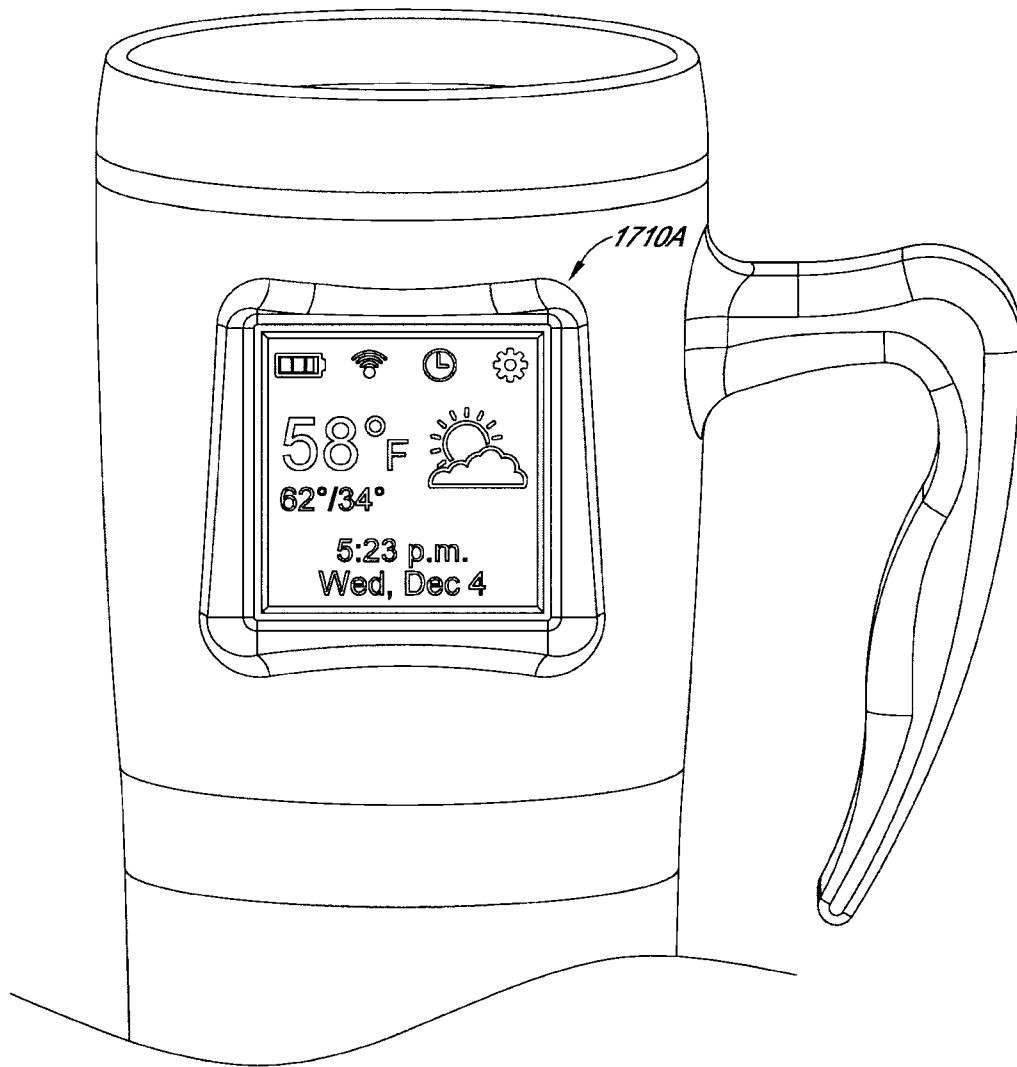
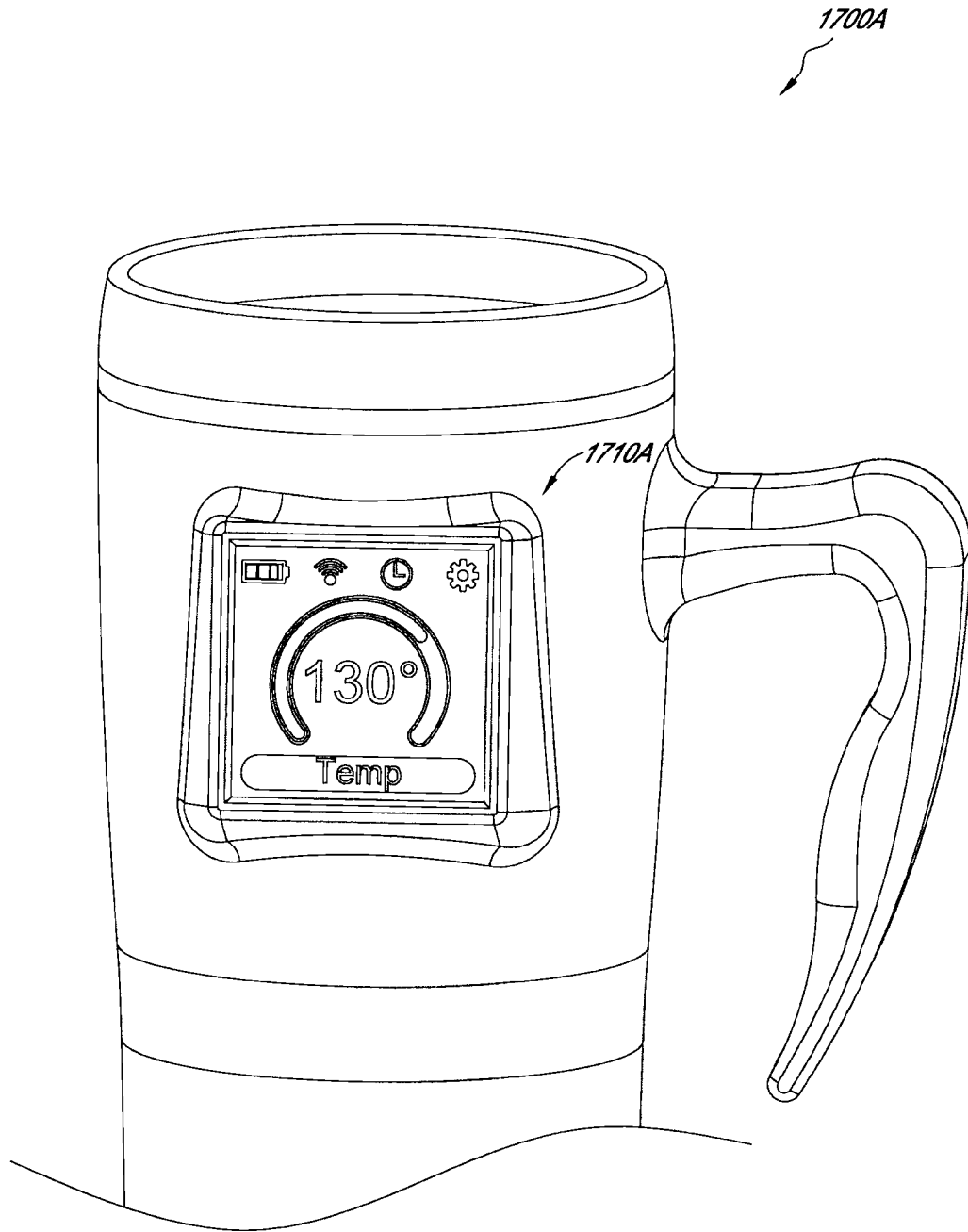


FIG. 34D

1700A



*FIG. 35*



*FIG. 36*

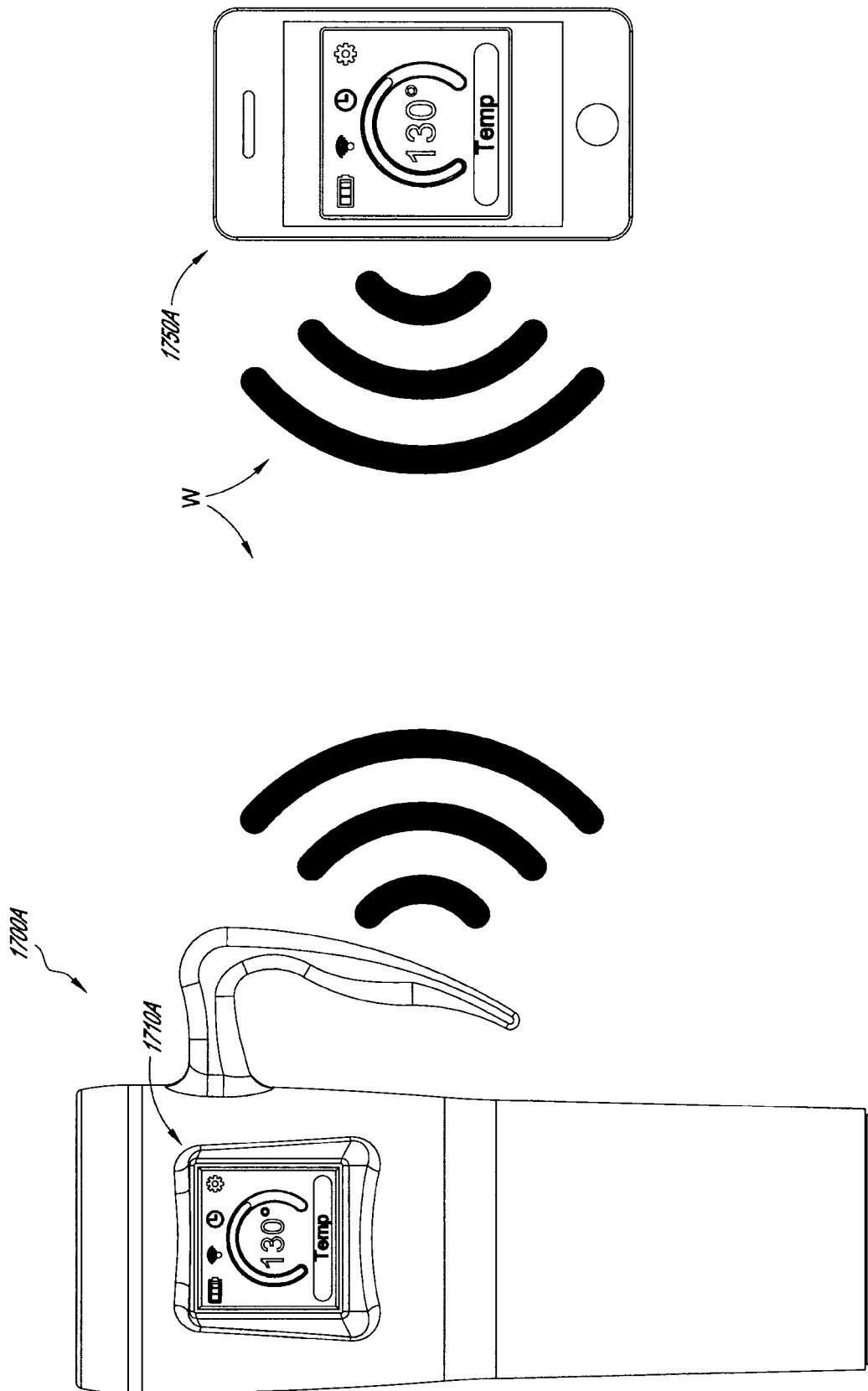


FIG. 37

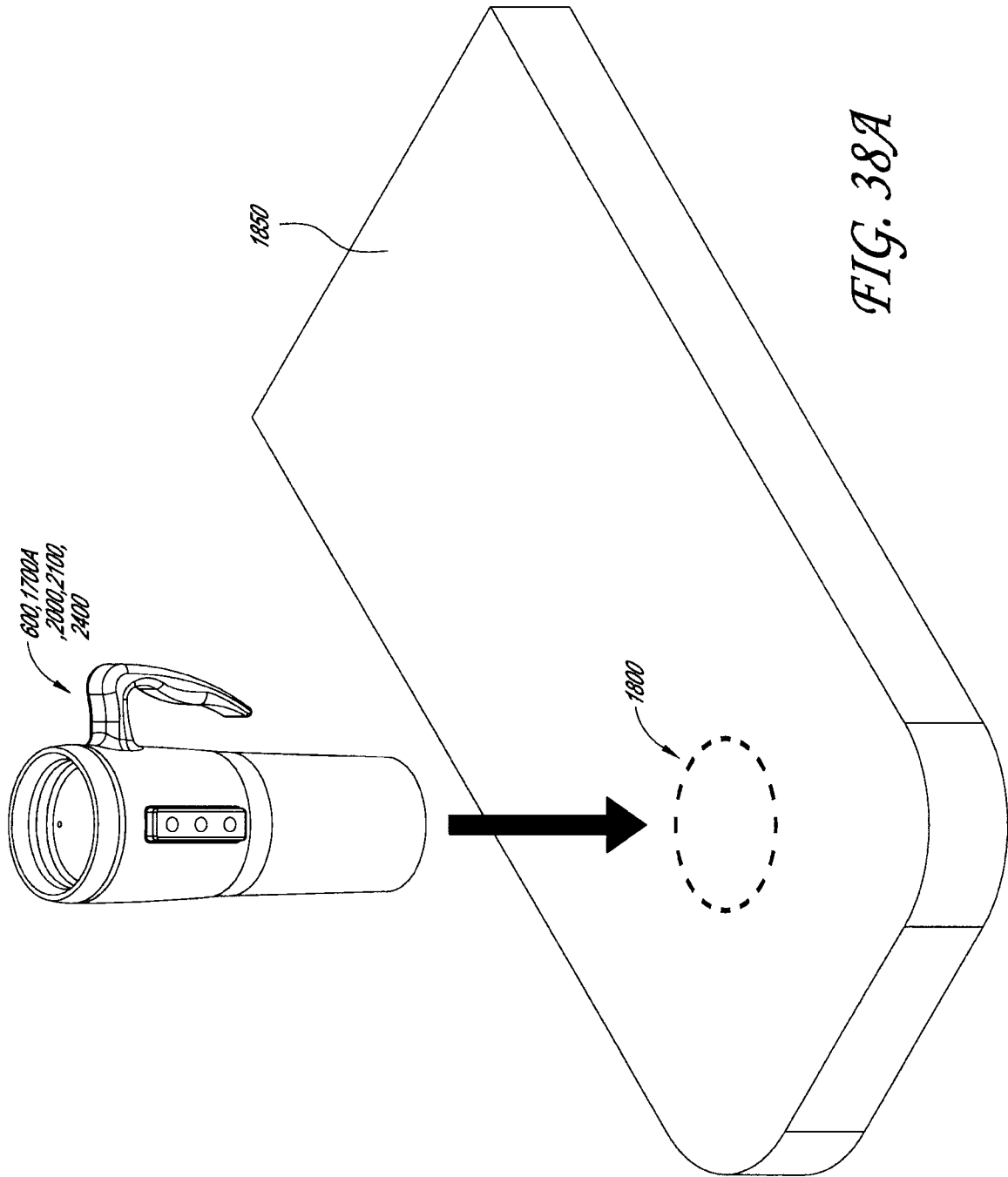
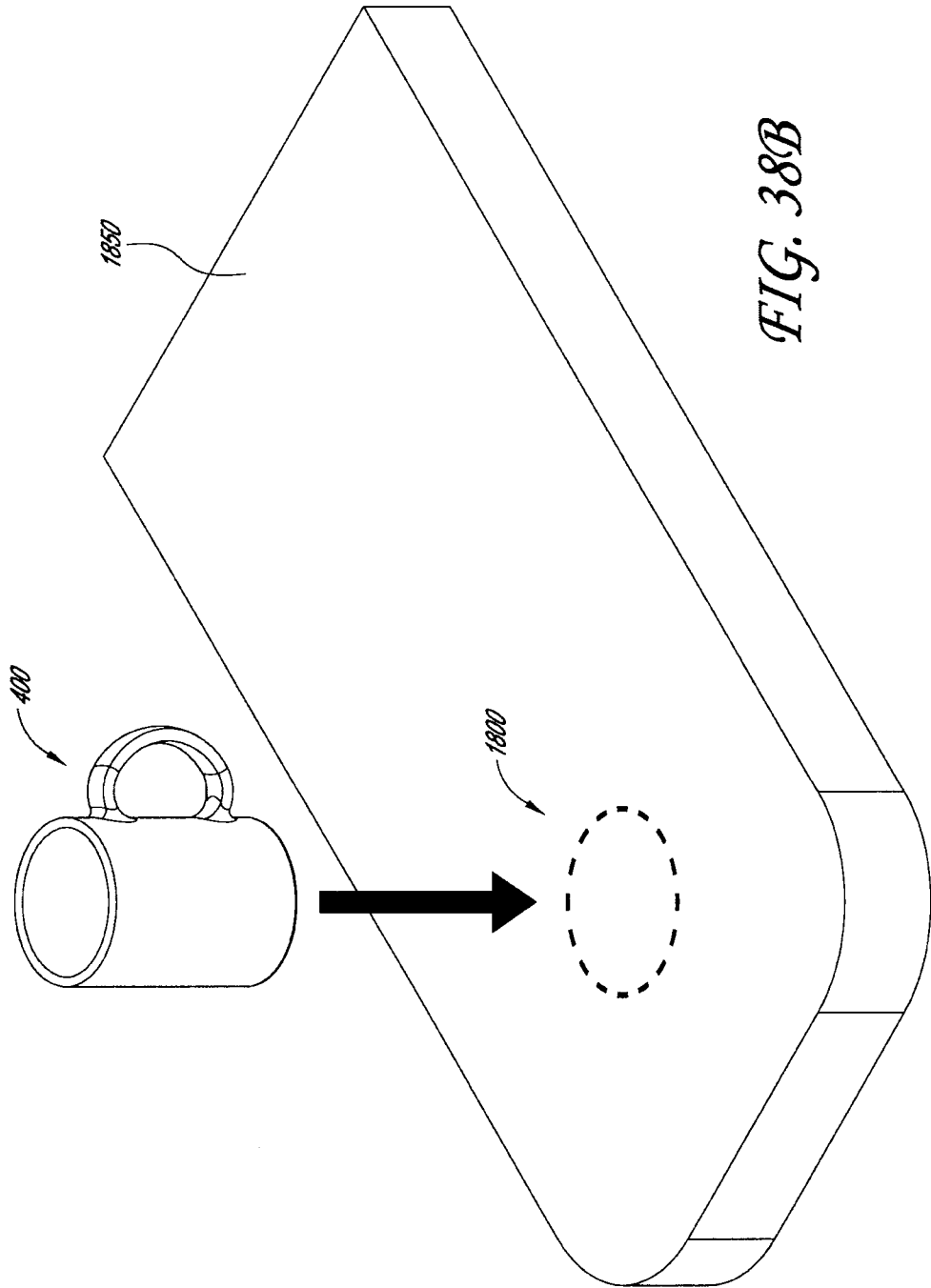


FIG. 38A



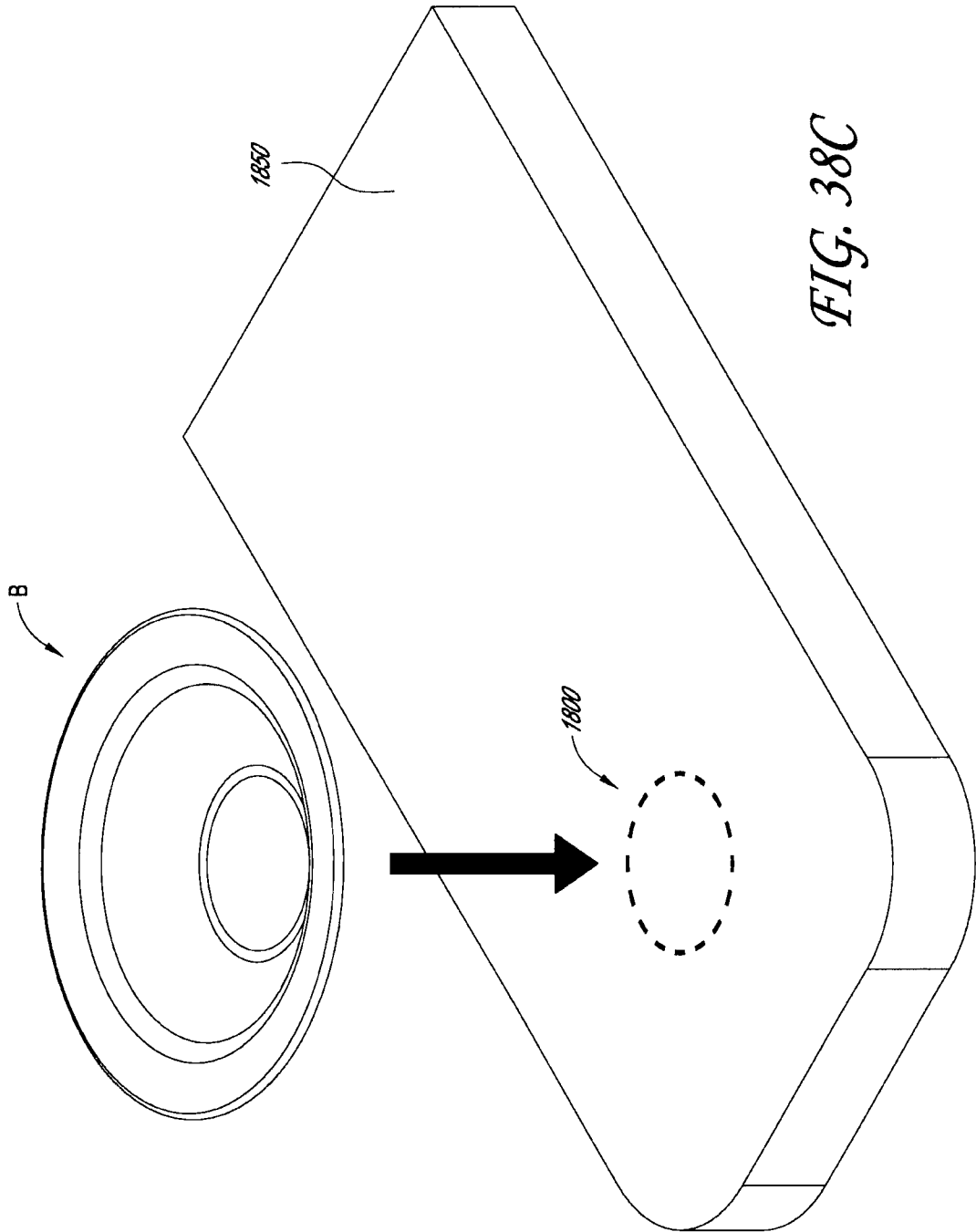


FIG. 38C

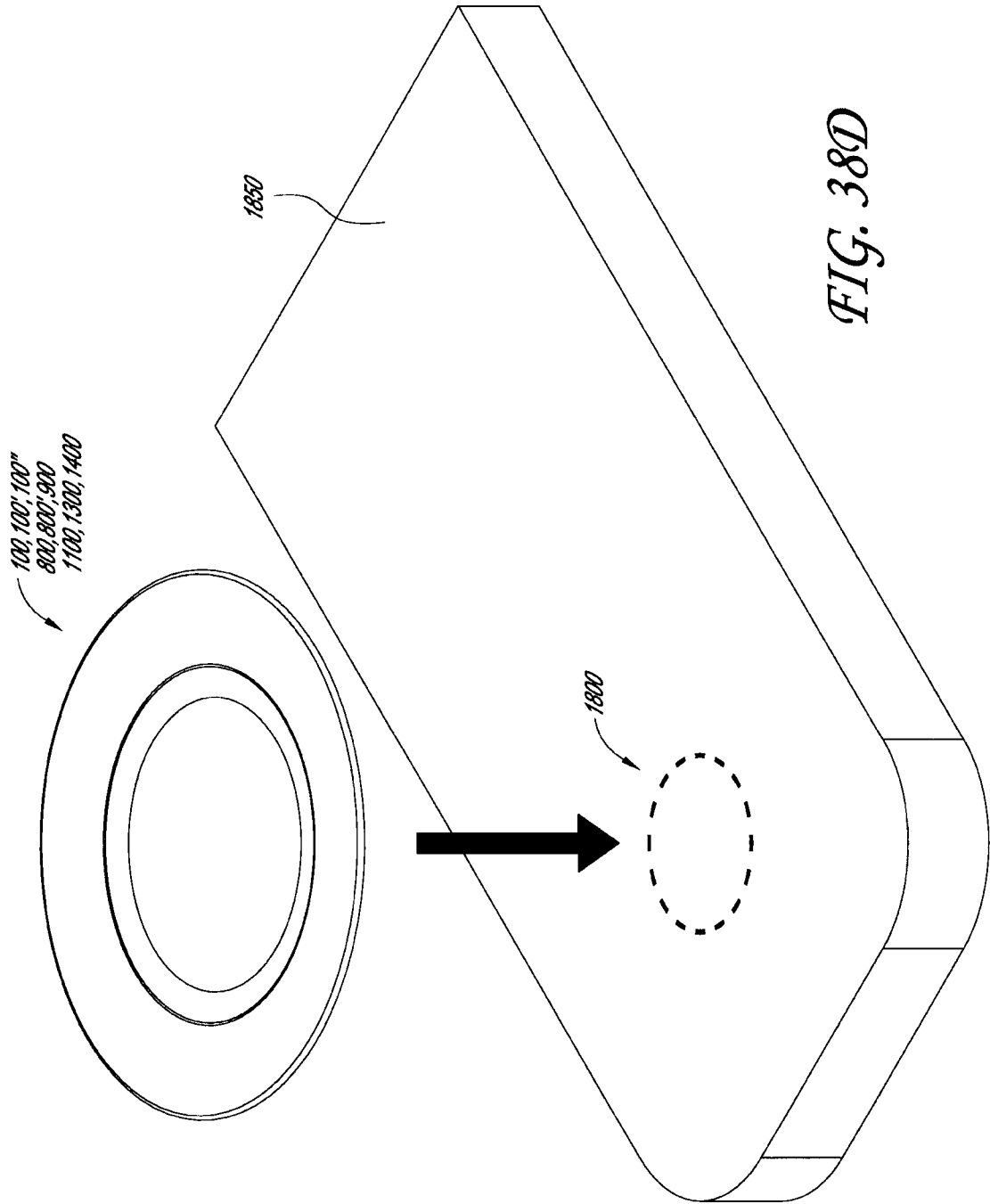


FIG. 38D

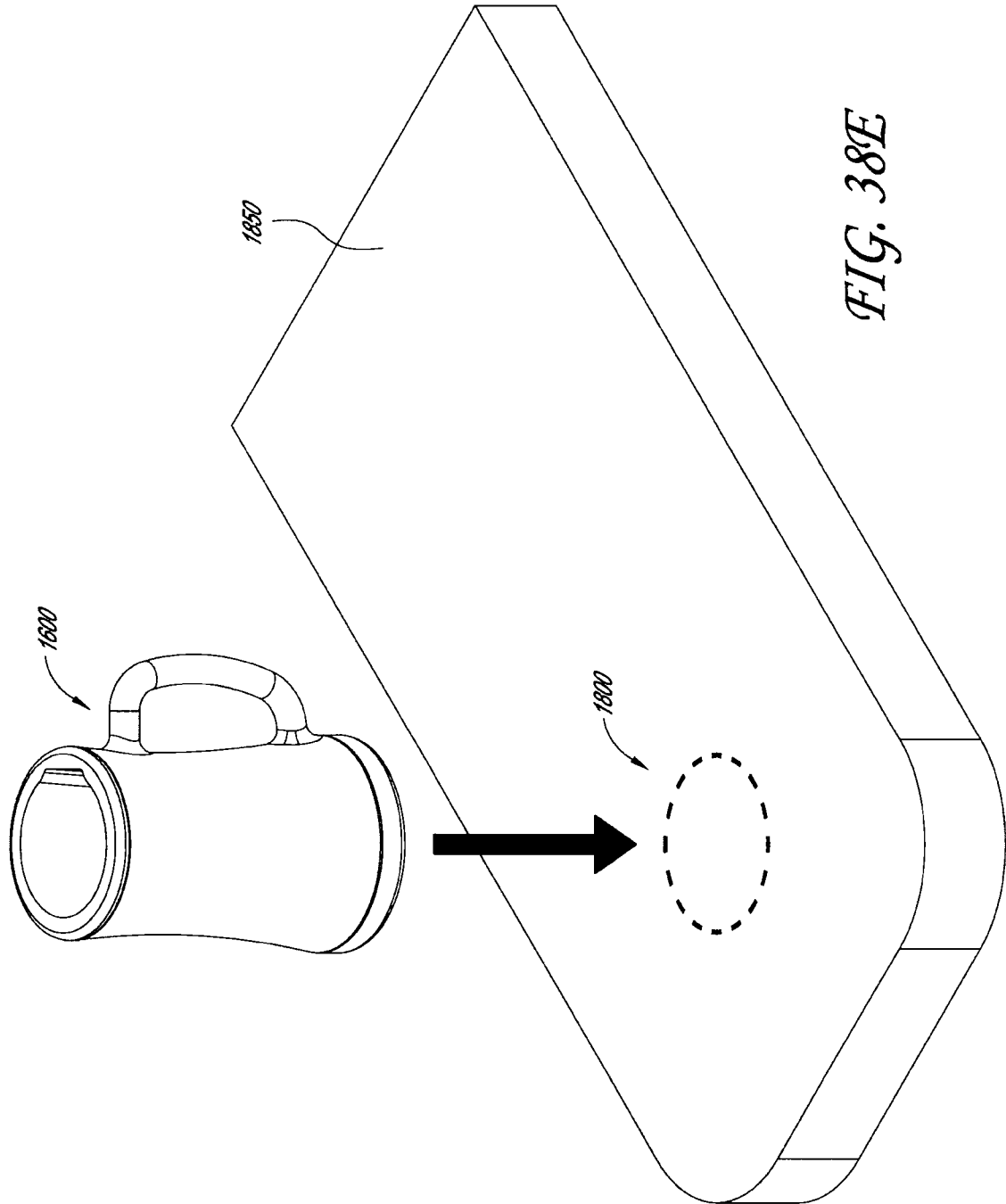
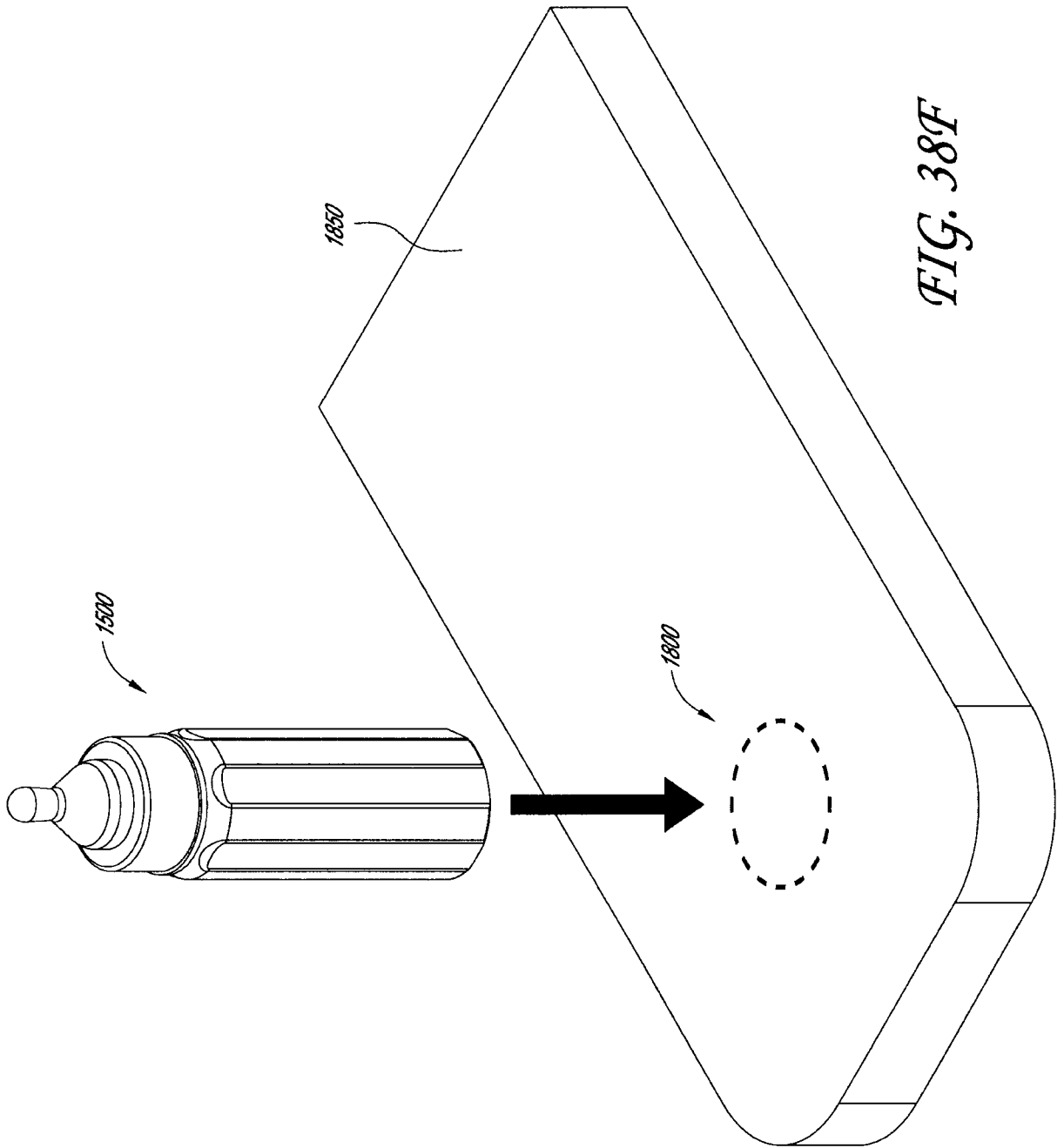


FIG. 38E



*FIG. 38F*

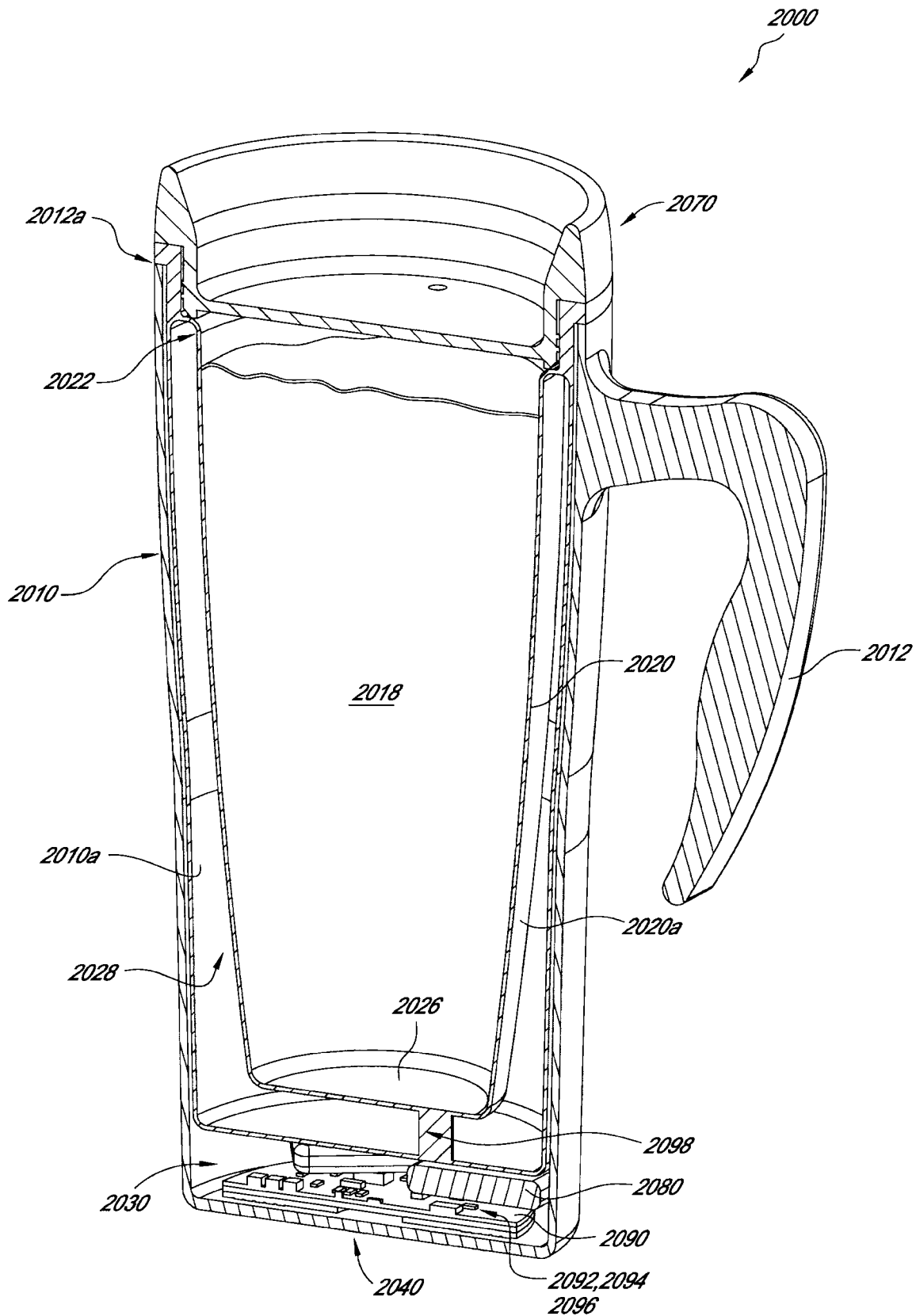
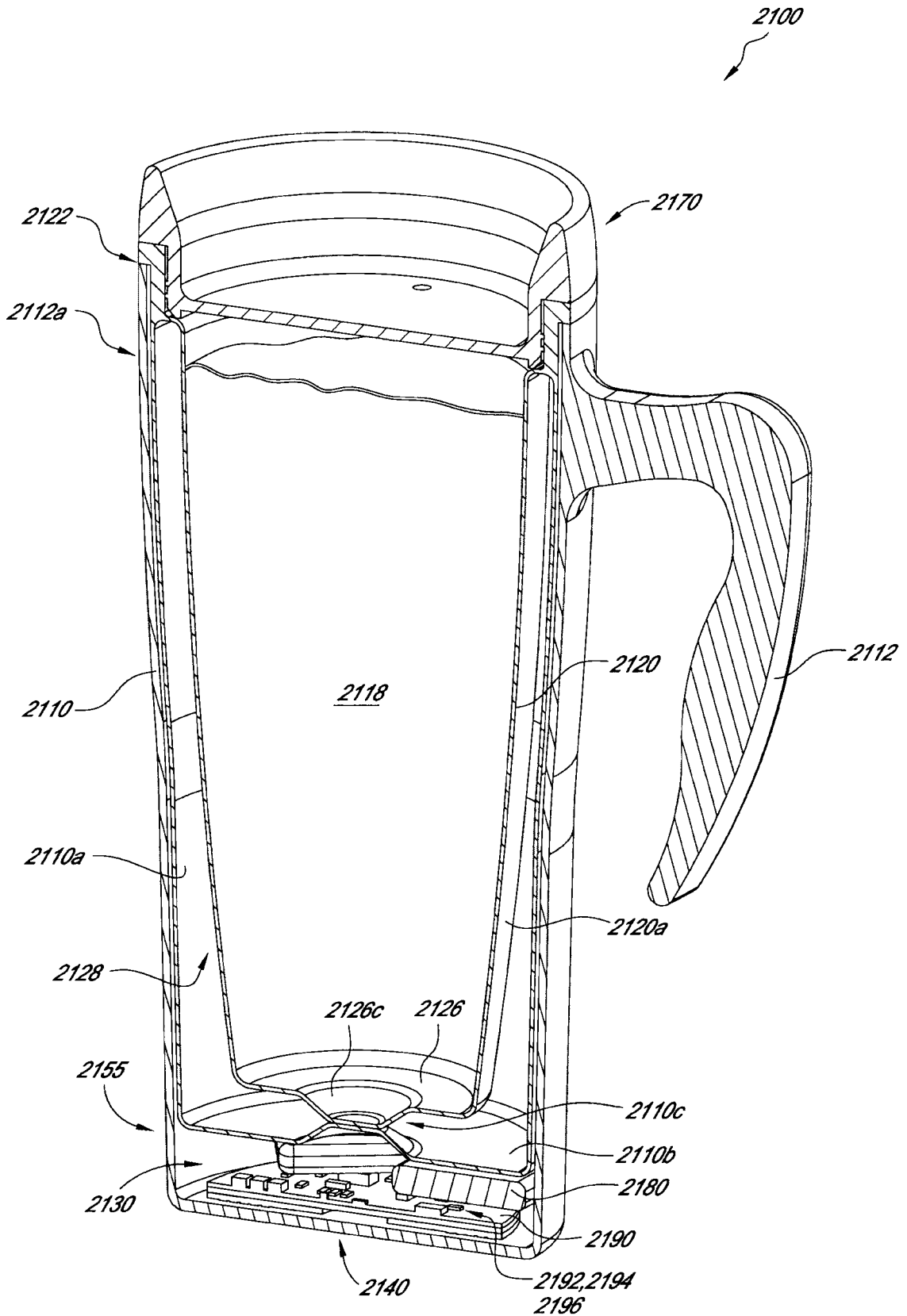
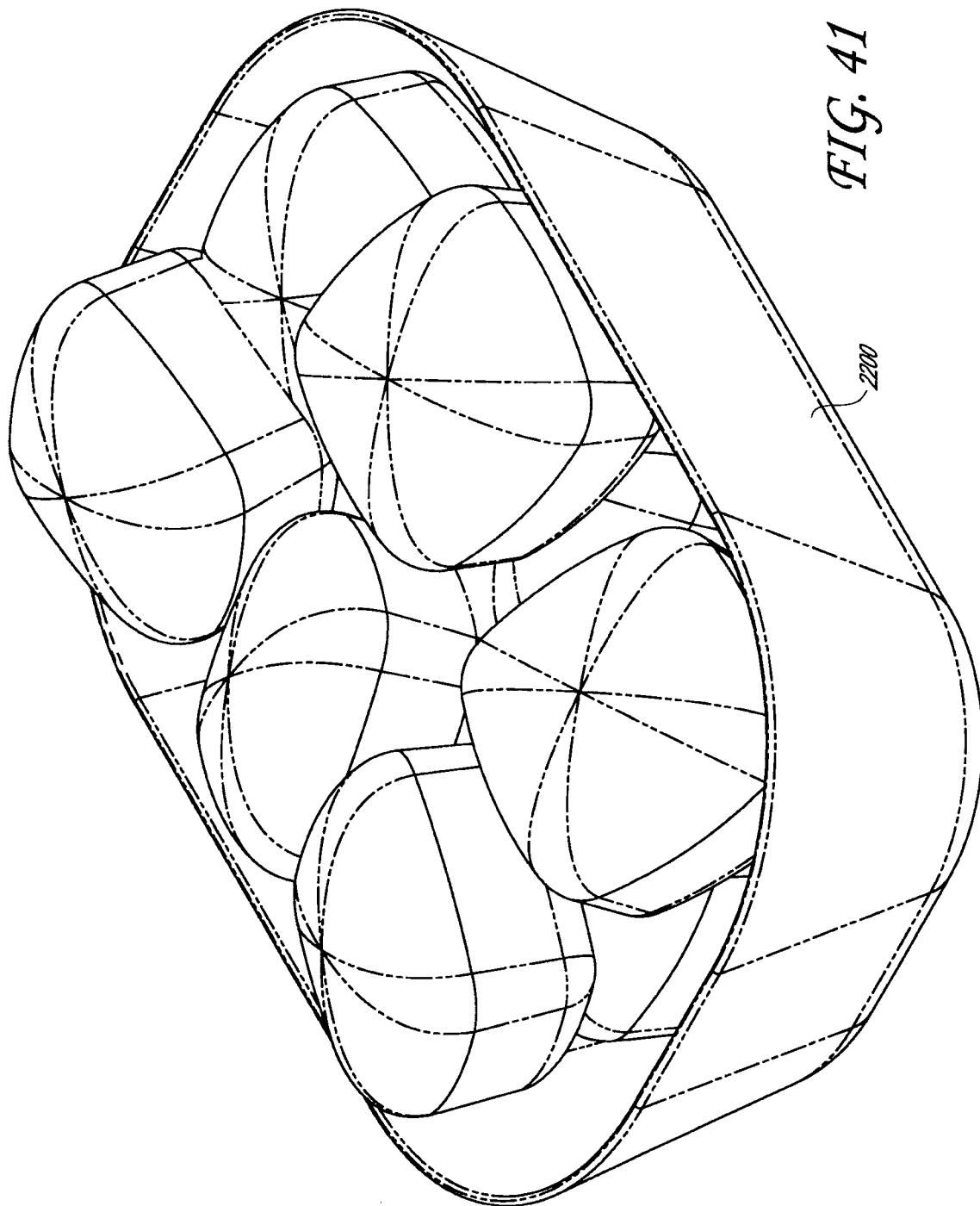


FIG. 39



**FIG. 40**



*FIG. 41*

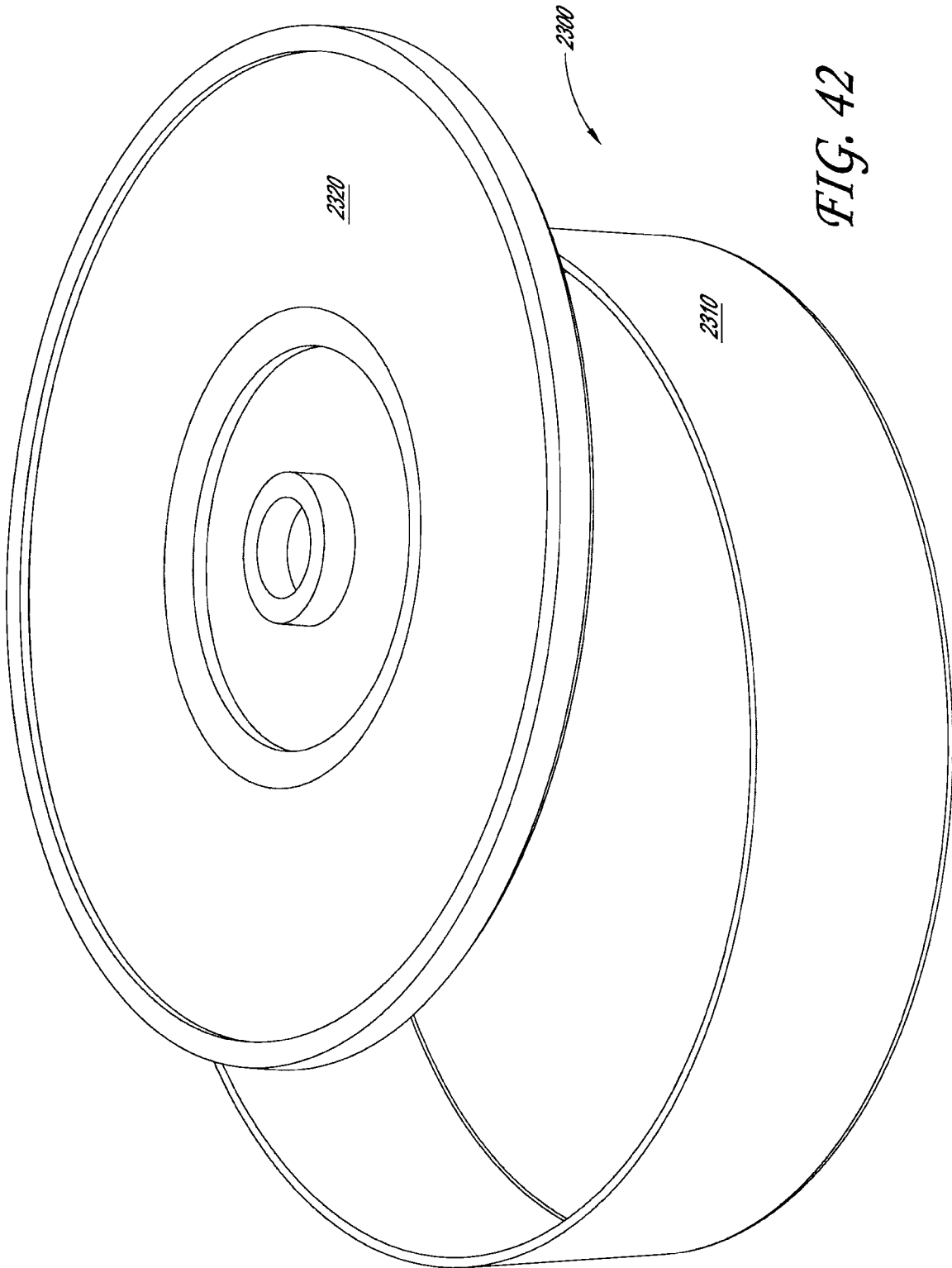
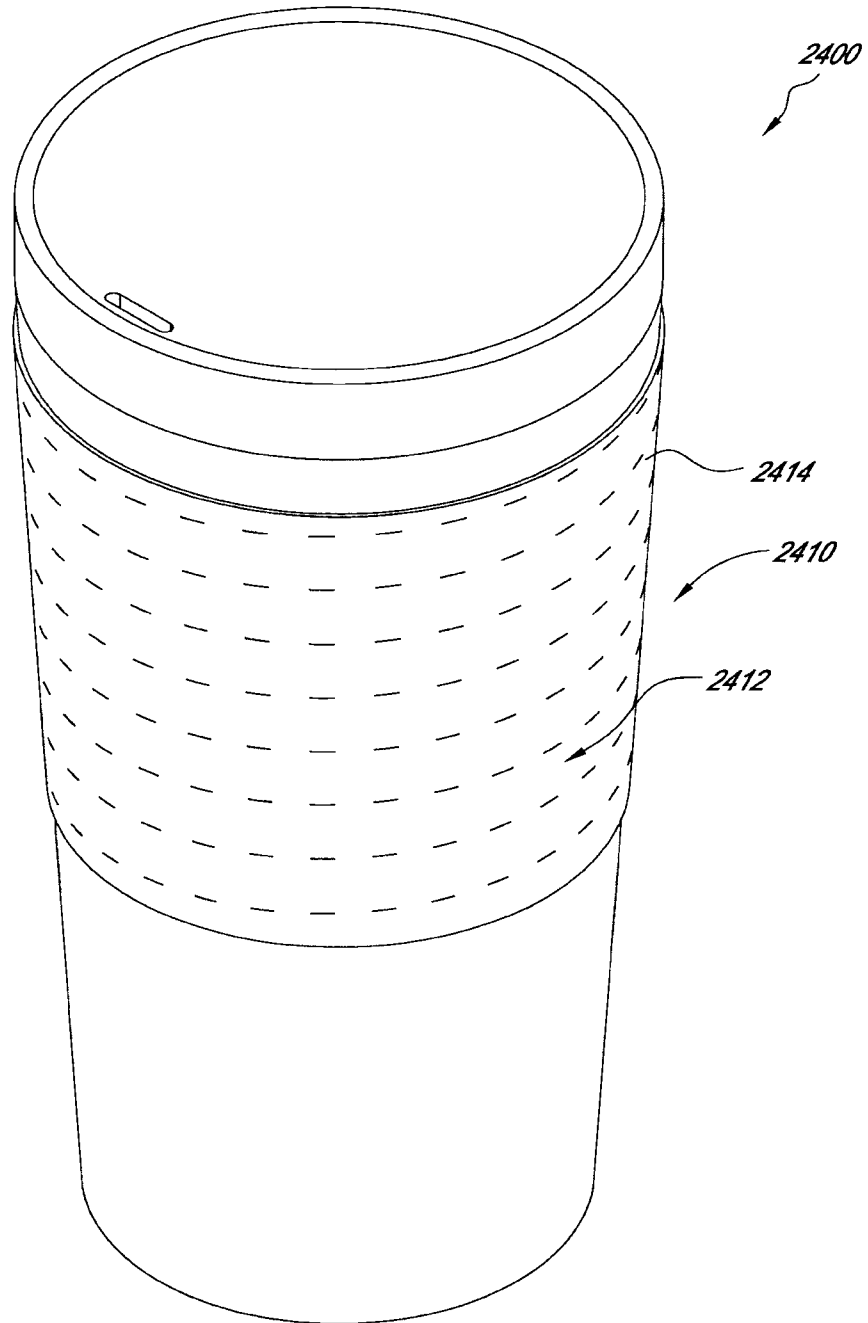


FIG. 42



*FIG. 43*

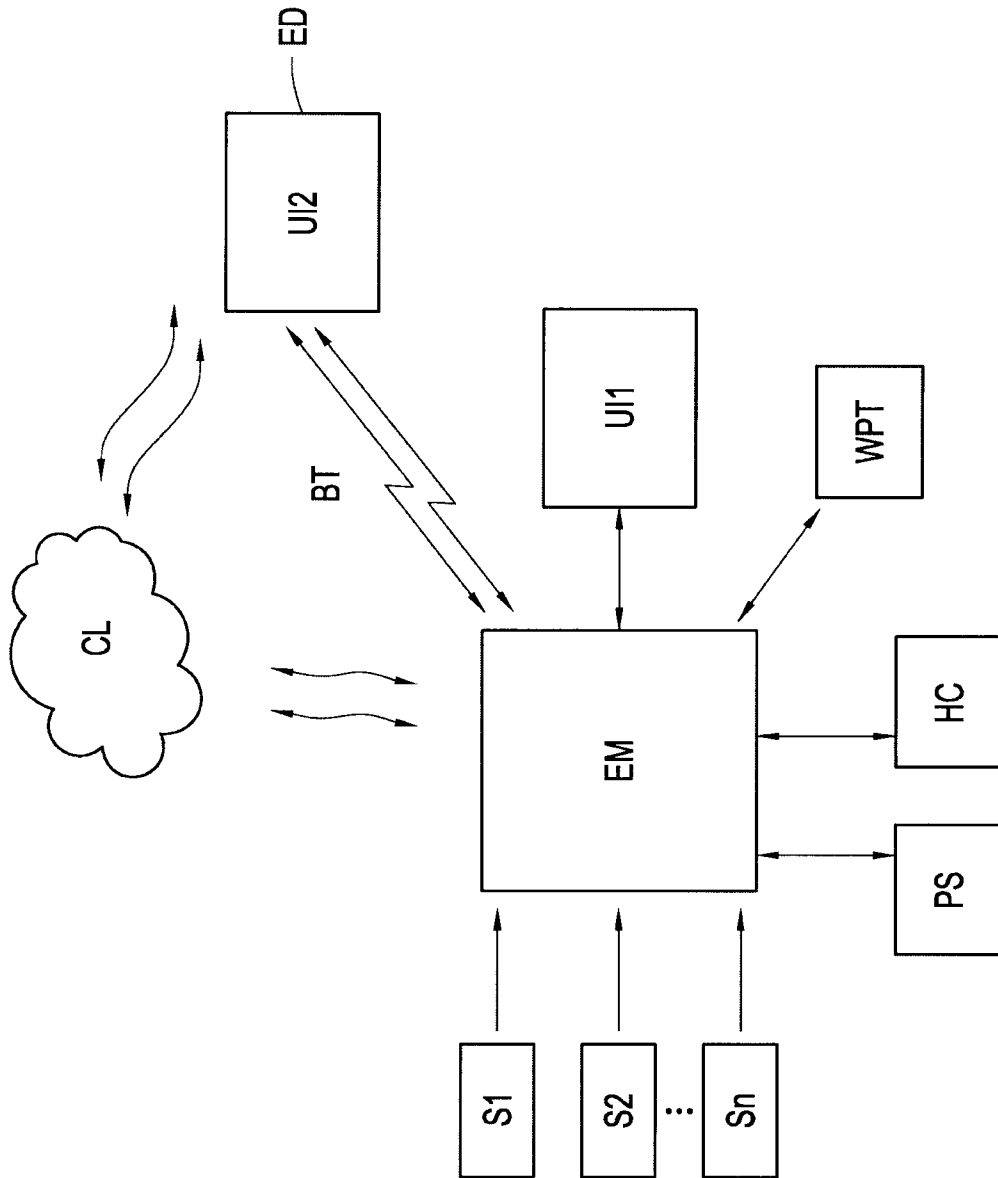


FIG. 44

100

