



US00D744698S

(12) **United States Design Patent**  
**Kalyanpur et al.**

(10) **Patent No.:** **US D744,698 S**

(45) **Date of Patent:** **\*\* Dec. 1, 2015**

(54) **CONTAINER**

(71) Applicant: **La Prairie, Inc.**, New York, NY (US)

(72) Inventors: **Anil Kalyanpur**, Edison, NJ (US);  
**Richard Suhr**, Seaside Heights, NJ (US)

(73) Assignee: **La Prairie, Inc.**, New York, NY (US)

(\*\*) Term: **14 Years**

(21) Appl. No.: **29/453,798**

(22) Filed: **May 2, 2013**

(51) **LOC (10) Cl.** ..... **28-03**

(52) **U.S. Cl.**  
USPC ..... **D28/82**

(58) **Field of Classification Search**

USPC ..... D28/64.1-64.7, 76-84; 206/581, 823;  
132/286-318; D9/503-505, 421, 428,  
D9/447; D3/901; 220/4.27  
CPC ..... A45D 33/006; A45D 33/003; A45D  
33/04-33/16; A45D 33/025; A45D 33/02;  
A45D 33/20; A45D 3/22; A45D 33/24;  
A45D 33/26; A45D 33/28; A45D 33/18;  
A45D 40/22; A45D 40/222; A45D 40/24;  
A45D 42/02

See application file for complete search history.

(56)

**References Cited**

**U.S. PATENT DOCUMENTS**

1,381,036 A	6/1921	Vericel	
1,455,432 A	5/1923	Dodson	
1,460,906 A	7/1923	Hyde	
1,497,905 A	6/1924	Hathaway	
1,518,594 A	12/1924	Marble	
1,525,665 A	2/1925	Slover et al.	
1,551,006 A *	8/1925	Bruns	132/293
1,570,382 A	1/1926	Lyhne	
1,583,120 A	5/1926	Brenner	
1,636,183 A	7/1927	Goertz	

1,647,004 A	10/1927	Hyde	
2,196,017 A	4/1940	Kane	
2,438,841 A	3/1948	Casalino	
2,571,485 A	10/1951	Reiskin	
2,712,318 A	7/1955	Root	
3,256,892 A	6/1966	Esposito, Jr.	
4,696,317 A	9/1987	Shioi et al.	
5,025,817 A	6/1991	Wen	
5,107,871 A	4/1992	Butcher et al.	
5,836,319 A *	11/1998	Lombardi	132/287
6,283,129 B1	9/2001	Yuhara et al.	
6,526,989 B2	3/2003	Sheffler et al.	
D473,345 S *	4/2003	Thorpe	D28/82
D479,366 S	9/2003	Goswell	
D496,759 S *	9/2004	Rodriguez	D28/82
D523,177 S	6/2006	Ashiwa et al.	
D523,750 S *	6/2006	Lee et al.	D9/549
D583,100 S *	12/2008	Jackel	D28/82
D592,956 S *	5/2009	Thiellier	D28/82
D595,899 S *	7/2009	Krause-Neufeldt	D28/82
D626,289 S *	10/2010	Lee	D28/82
D631,608 S	1/2011	Pires et al.	

(Continued)

*Primary Examiner* — Jennifer Rivard

(74) *Attorney, Agent, or Firm* — Dentons US LLP

(57)

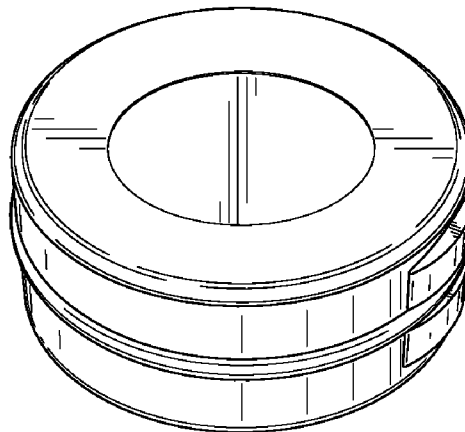
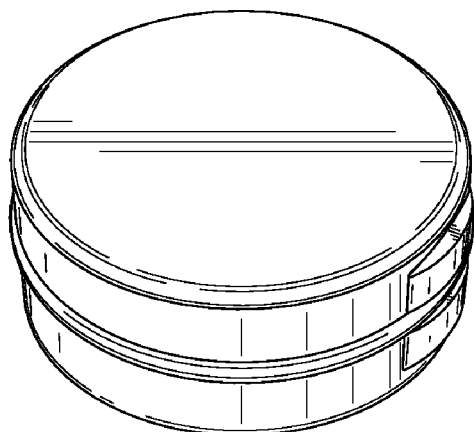
**CLAIM**

The ornamental design for the container, as shown and described.

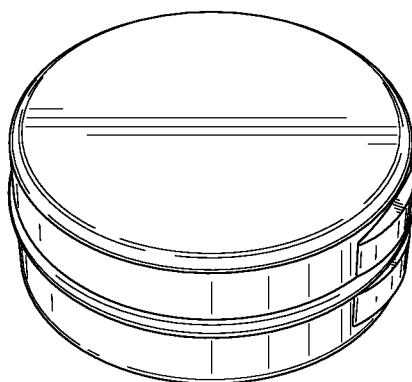
**DESCRIPTION**

FIG. 1 is a top perspective view of the container;  
FIG. 2 is a bottom perspective view of the container;  
FIG. 3 is a planar view of the top of the container;  
FIG. 4 is a planar view of the bottom of the container;  
FIG. 5 is a front view of the container;  
FIG. 6 is a right side view of the container;  
FIG. 7 is a rear view of the container; and,  
FIG. 8 is a left side view of the container.  
The broken lines illustrate a portion of the container and form no part of the claimed design.

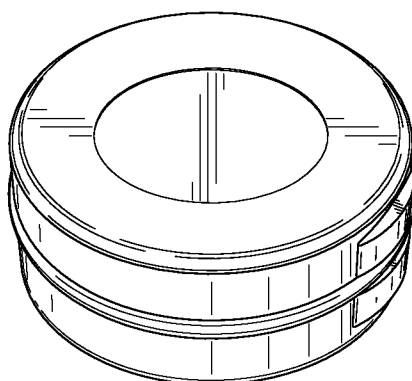
**1 Claim, 3 Drawing Sheets**



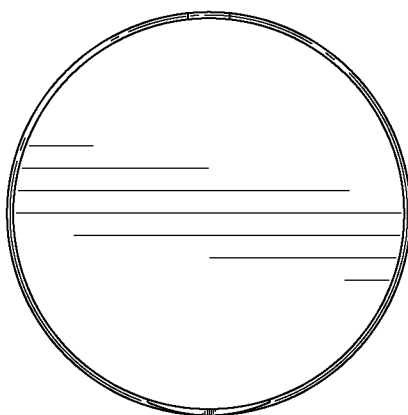




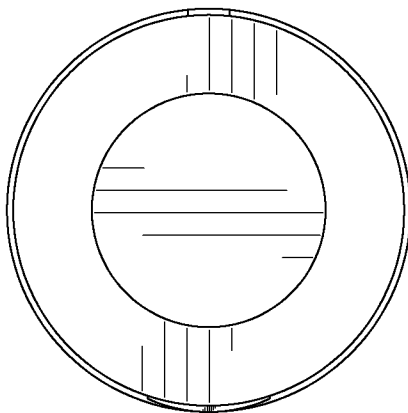
**FIG. 1**



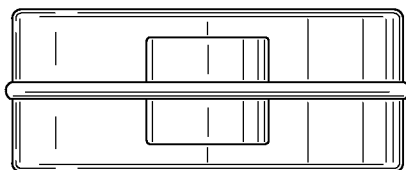
**FIG. 2**



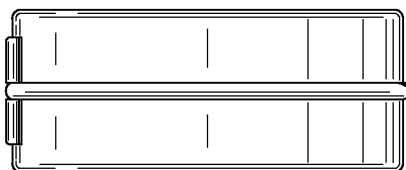
**FIG. 3**



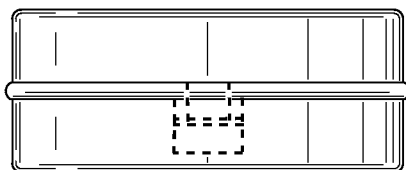
**FIG. 4**



**FIG. 5**



**FIG. 6**



**FIG. 7**



**FIG. 8**