



US00D680855S

(12) **United States Design Patent**
Kadoishi et al.

(10) **Patent No.:** **US D680,855 S**

(45) **Date of Patent:** **** Apr. 30, 2013**

(54) **CORD LOCK**

(74) *Attorney, Agent, or Firm* — Manabu Kanesaka

(75) Inventors: **Yumiko Kadoishi**, Yokohama (JP); **Koji Yokota**, Yachiyo (JP); **Keisuke Fujita**, Kasukabe (JP)

(57) **CLAIM**
The ornamental design for a cord lock, as shown and described.

(73) Assignees: **Nifco Inc.**, Yokohama-Shi (JP); **Morito Co., Ltd.**, Osaka-Shi (JP)

DESCRIPTION

(**) Term: **14 Years**

FIG. 1 is a front view of a cord lock showing our new design;
FIG. 2 is a plan view thereof;
FIG. 3 is a rear view thereof;
FIG. 4 is a bottom view thereof;
FIG. 5 is a left side view thereof;
FIG. 6 is a right side view thereof;
FIG. 7 is a cross-sectional view thereof taken along line 7-7 in FIG. 2;

(21) Appl. No.: **29/371,910**

FIG. 8 is a cross-sectional view thereof taken along line 8-8 in FIG. 2;

(22) Filed: **Jan. 13, 2012**

FIG. 9 is a front view of a female body;

(30) **Foreign Application Priority Data**

Jul. 15, 2011 (JP) 2011-016331

FIG. 10 is a plan view thereof;

(51) **LOC (9) Cl.** **08-08**

FIG. 11 is a right side view thereof;

(52) **U.S. Cl.**

USPC **D8/383**

FIG. 12 is a bottom view thereof;

(58) **Field of Classification Search** D8/383,
D8/356, 394-396; 24/115 G, 115 R, 136 R,
24/115 M; D2/978; D11/212, 215

See application file for complete search history.

FIG. 13 is a cross-sectional view thereof taken along line 13-13 in FIG. 10;

(56) **References Cited**

References Cited

U.S. PATENT DOCUMENTS

D417,388	S	*	12/1999	Kawahara	D8/383
D454,777	S	*	3/2002	Yoshiguchi	D8/383
D455,337	S	*	4/2002	Maruoka	D8/383
D481,301	S	*	10/2003	Nezu	D8/383
D535,870	S	*	1/2007	Yoshiguchi	D8/383
D560,477	S	*	1/2008	Yoshie et al.	D8/383
D585,271	S	*	1/2009	Yoshie	D8/383
D659,524	S	*	5/2012	Kawaguchi	D8/383

FIG. 14 is a cross-sectional view thereof taken along line 14-14 in FIG. 10;

FIG. 15 is a front view of a male body;

FIG. 16 is a plan view thereof;

FIG. 17 is a right side view thereof;

FIG. 18 is a bottom view thereof;

FIG. 19 is a cross-sectional view thereof taken along line 19-19 in FIG. 16; and,

FIG. 20 is a cross-sectional view thereof taken along line 20-20 in FIG. 16.

The broken line showing of the cord lock is included for the purpose of illustrating portions of the article and forms no part of the claimed design.

* cited by examiner

Primary Examiner — Sheryl Lane

1 Claim, 7 Drawing Sheets

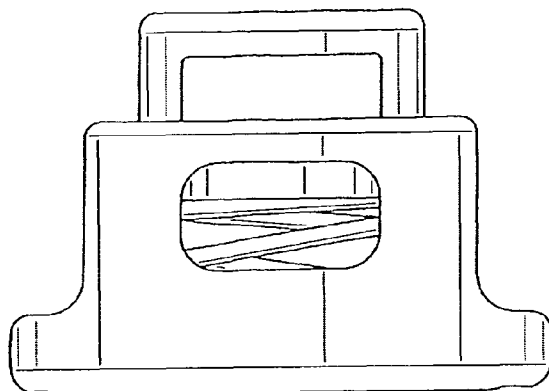


Fig. 1

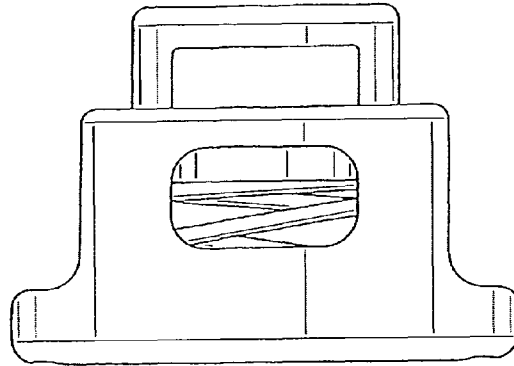


Fig. 2

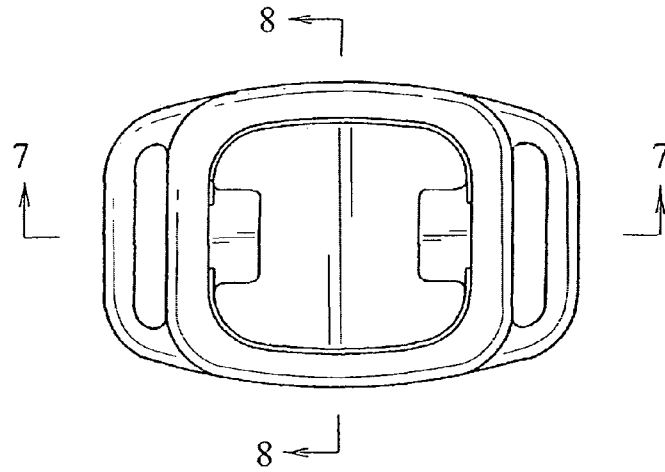


Fig. 3

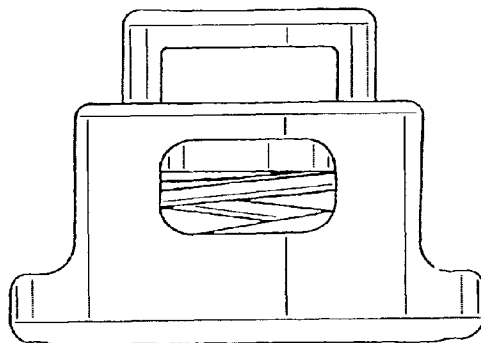


Fig. 4

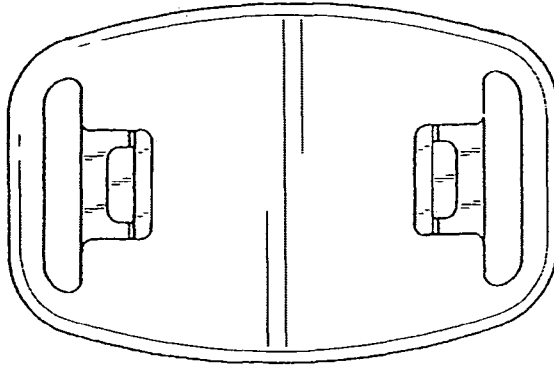


Fig. 5

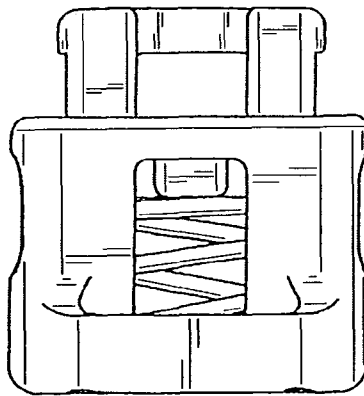


Fig. 6

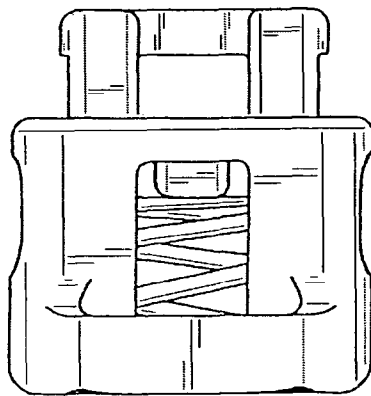


Fig. 7

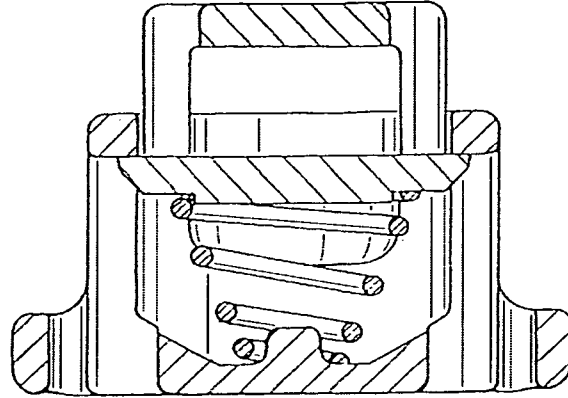


Fig. 8

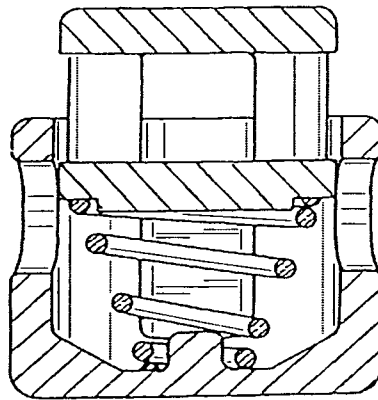
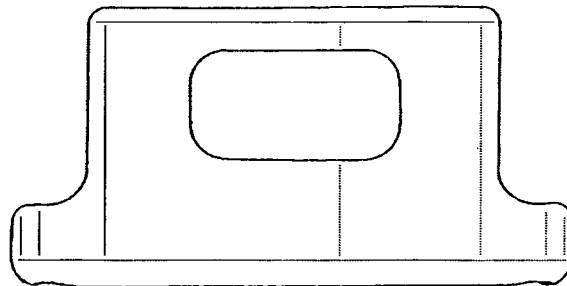


Fig. 9



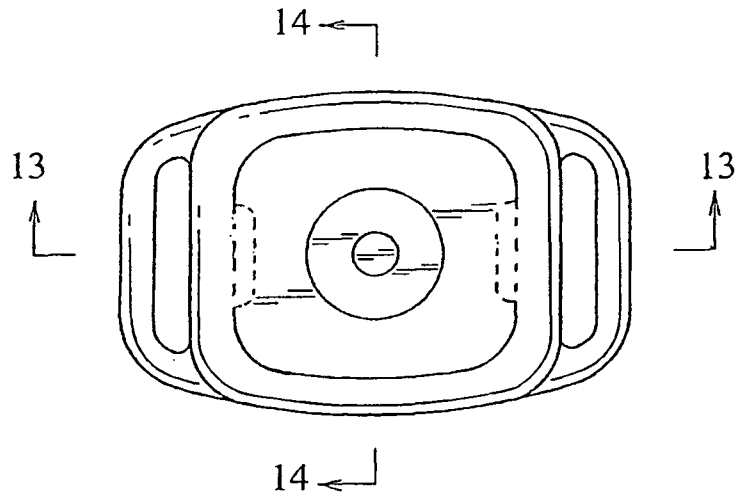


Fig. 11

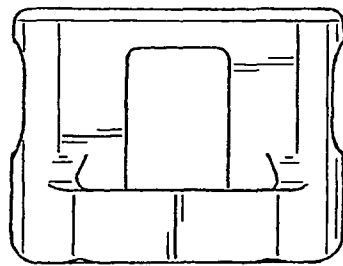


Fig. 12

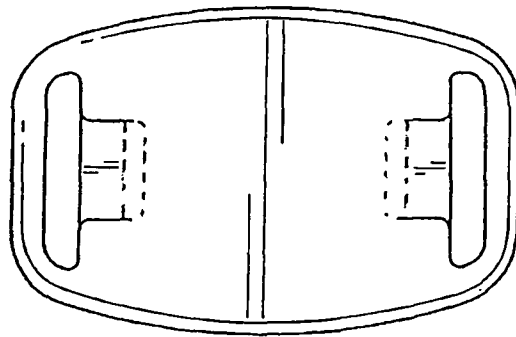


Fig. 13

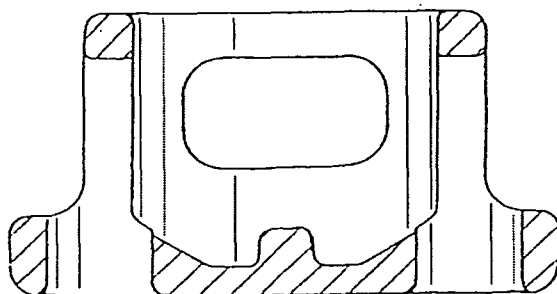


Fig. 14

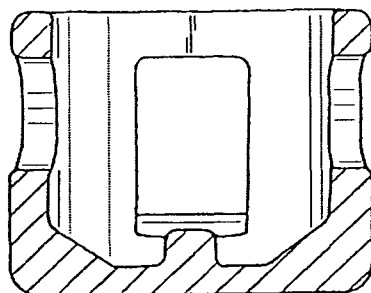


Fig. 15

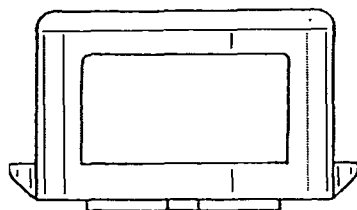


Fig. 16

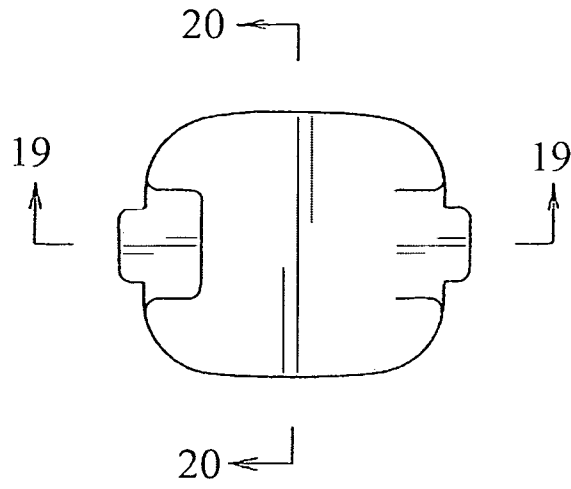


Fig. 17

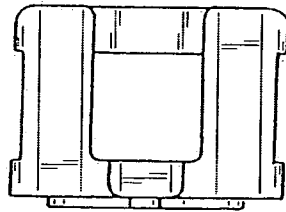


Fig. 18

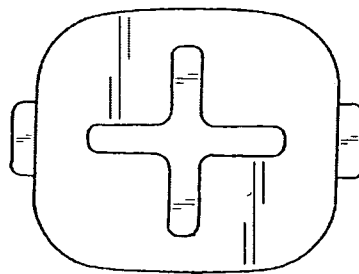


Fig. 19

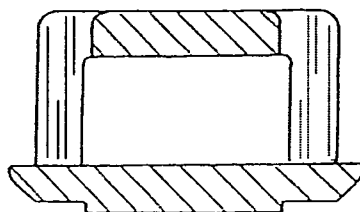


Fig. 20

