



US00D577470S

(12) **United States Design Patent**  
**Park et al.**

(10) **Patent No.:** **US D577,470 S**

(45) **Date of Patent:** **\*\* Sep. 23, 2008**

(54) **CONTROL PANEL FOR DRUM WASHING MACHINE**

D552,807 S \* 10/2007 Jeon et al. .... D32/6

\* cited by examiner

(75) Inventors: **Sang Ho Park**, Kyungki-do (KR); **Se Hun Oh**, Kyungki-do (KR)

*Primary Examiner*—Louis S Zarfaz

*Assistant Examiner*—Kathleen M Sims

(73) Assignee: **Samsung Electronics Co., Ltd.**, Suwon (KR)

(74) *Attorney, Agent, or Firm*—Ladas and Parry LLP

(\*\*) Term: **14 Years**

(57) **CLAIM**

(21) Appl. No.: **29/294,660**

We claim the ornamental design for a control panel for drum washing machine, as shown and described.

(22) Filed: **Jan. 22, 2008**

**DESCRIPTION**

(51) **LOC (8) Cl.** ..... **15-05**

FIG. 1 is a front, right, top perspective view of a control panel for drum washing machine showing our new design;

(52) **U.S. Cl.** ..... **D32/28**

FIG. 2 is a front elevational view thereof;

(58) **Field of Classification Search** ..... D32/1,

FIG. 3 is a rear elevational view thereof;

D32/5-6, 8, 25, 28; 68/3 R, 5 R, 12.01; 34/87-88,

FIG. 4 is a left side elevational view thereof;

34/523-524, 108, 595, 603; 312/31

FIG. 5 is a right side elevational view thereof;

See application file for complete search history.

FIG. 6 is a top plan view thereof;

(56) **References Cited**

**U.S. PATENT DOCUMENTS**

D496,709 S \* 9/2004 Suh et al. .... D32/6

FIG. 7 is a bottom plan view thereof; and,

D517,257 S \* 3/2006 Kim et al. .... D32/6

FIG. 8 is a front, right, top perspective view thereof shown as part of a drum washing machine.

D517,756 S \* 3/2006 Ha et al. .... D32/6

The broken line showing of an appliance in FIG. 8 is included for the purpose of illustrating environment of the control panel for drum washing machine and forms no part of the claimed design.

D520,686 S \* 5/2006 Jeon et al. .... D32/6

D549,896 S \* 8/2007 Suh ..... D32/6

D549,897 S \* 8/2007 Suh ..... D32/6

D549,902 S \* 8/2007 Suh ..... D32/8

D551,401 S \* 9/2007 Jeon et al. .... D32/6

**1 Claim, 4 Drawing Sheets**

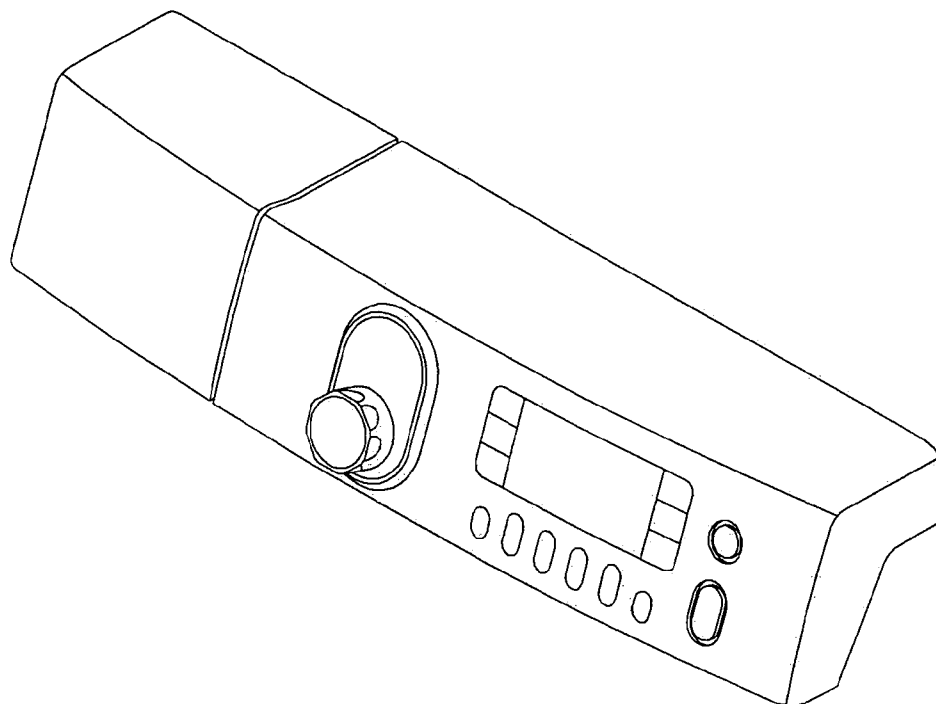


FIG. 1

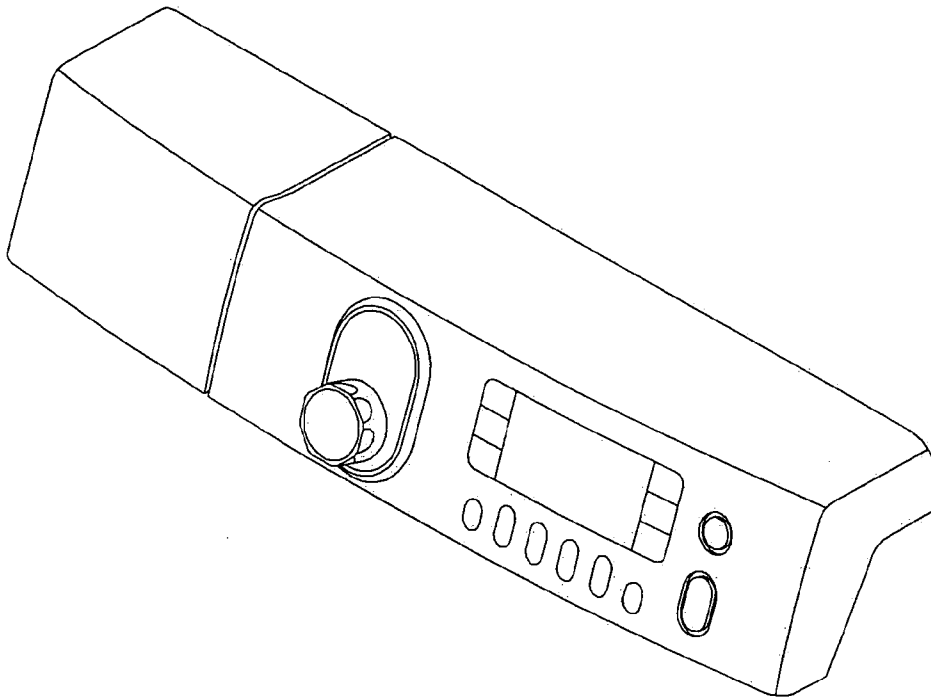


FIG. 2

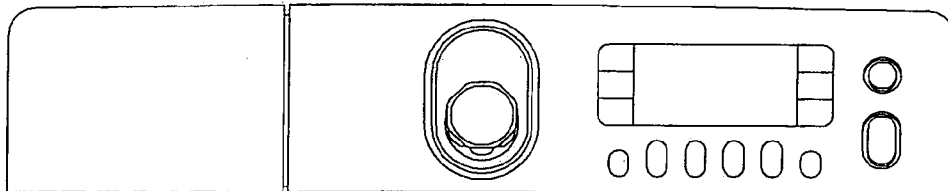


FIG. 3

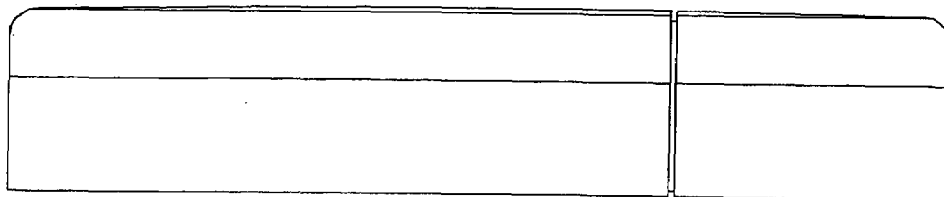


FIG. 4

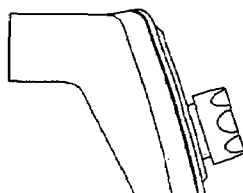


FIG. 5

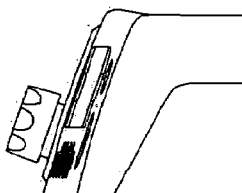


FIG. 6

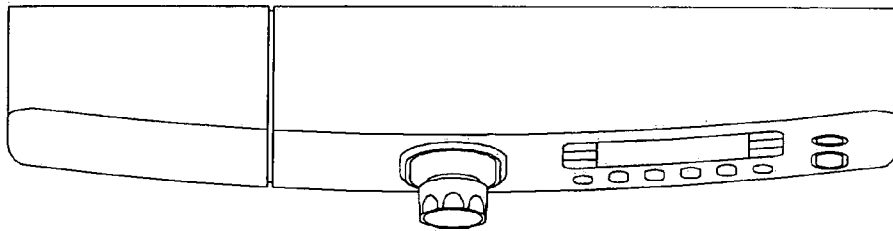


FIG. 7

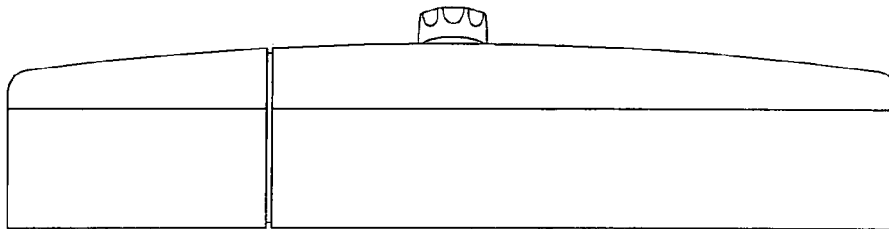


FIG. 8

