



US00D517364S

(12) **United States Design Patent**
Nieves

(10) **Patent No.:** **US D517,364 S**
(45) **Date of Patent:** **** Mar. 21, 2006**

(54) **COMPACT DISC CARRYING CASE WITH A SINGLE SPEAKER**

(75) Inventor: **Julian Nieves**, New York, NY (US)

(73) Assignee: **Motion Systems, LLC**, New York, NY (US)

(**) Term: **14 Years**

(21) Appl. No.: **29/194,264**

(22) Filed: **Nov. 20, 2003**

(51) **LOC (8) Cl.** **06-04**

(52) **U.S. Cl.** **D6/633; D6/407; D6/632; D6/634; D6/635**

(58) **Field of Classification Search** D3/218, D3/270; D6/407, 626-635; 206/18, 307.1, 206/308.1, 308.2, 308.3, 309, 310, 311, 312, 206/313, 445, 749; 312/9.1, 902, 9.9, 9.48, 312/9.55, 9.64, 9.47, 9.53, 328

See application file for complete search history.

(56) **References Cited**

U.S. PATENT DOCUMENTS

1,626,842 A *	6/1927	Kendall	220/4.22
4,084,139 A *	4/1978	Jakobe	381/4
D248,892 S *	8/1978	Pfleger	D3/246
4,589,134 A *	5/1986	Waldron	381/301
4,838,709 A *	6/1989	Guerriero et al.	383/18
D302,766 S *	8/1989	Johnston	D3/233
D302,903 S *	8/1989	Johnston	D3/274
D304,881 S *	12/1989	Zinbarg et al.	D3/274
D334,285 S *	3/1993	Wilson	D3/218
5,322,162 A *	6/1994	Melk	206/310
D351,943 S *	11/1994	Young	D3/216
5,409,152 A *	4/1995	Trevino	224/576
D383,620 S *	9/1997	Smith et al.	D6/407
5,897,042 A *	4/1999	Sims	224/576
D409,378 S *	5/1999	Lidsky	D3/218
5,927,581 A *	7/1999	Reddy et al.	224/578
6,012,575 A *	1/2000	Eskandry	206/308.1

D432,344 S *	10/2000	Eskandry	D6/632
D435,385 S *	12/2000	Eskandry	D6/633
6,186,321 B1 *	2/2001	Eskandry	206/308.1
D456,200 S *	4/2002	Eskandry	D6/631
6,409,013 B1 *	6/2002	Eskandry	206/308.1
D469,952 S *	2/2003	Daglow et al.	D3/216
6,522,613 B1 *	2/2003	Frankeny et al.	720/655
D471,052 S *	3/2003	Nieves	D6/633
D476,481 S *	7/2003	Gilbert	D3/276
6,712,249 B1 *	3/2004	Magnusson et al.	224/576
D489,174 S *	5/2004	Shigenaka et al.	D3/217
D489,529 S *	5/2004	Vish et al.	D3/301
D489,900 S *	5/2004	Carter	D3/301
D500,920 S *	1/2005	Koenig et al.	D3/216
2004/0188287 A1 *	9/2004	Molnar et al.	206/311
2004/0245130 A1 *	12/2004	Chi	206/308.1
2004/0245131 A1 *	12/2004	Suganami	206/308.1

* cited by examiner

Primary Examiner—Celia A. Murphy

(74) *Attorney, Agent, or Firm*—Ezra Sutton, Esq.

(57) **CLAIM**

The ornamental design for a compact disc carrying case with a single speaker, as shown and described.

DESCRIPTION

FIG. 1 is a perspective view of a compact disc carrying case with a single speaker in a closed configuration embodying my new design;

FIG. 2 is a front elevational view thereof;

FIG. 3 is a rear elevational view thereof;

FIG. 4 is a right side elevational view thereof;

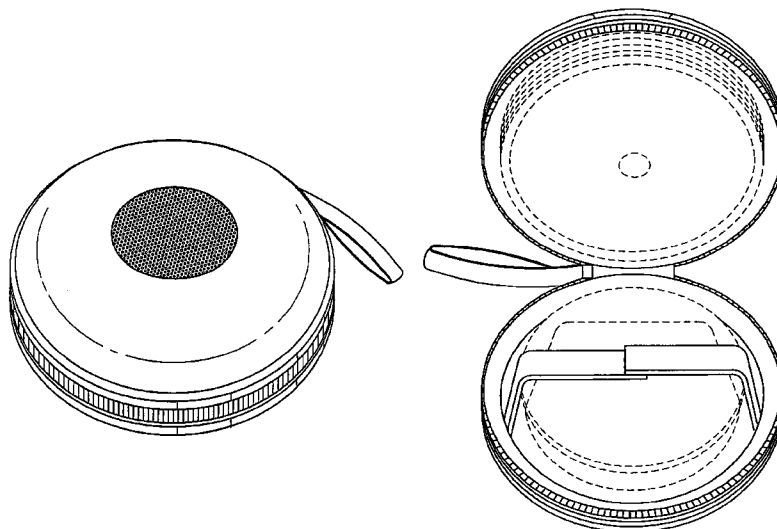
FIG. 4 is a left side elevational view thereof;

FIG. 6 is a top plan view thereof;

FIG. 7 is a bottom plan view thereof; and,

FIG. 8 is a perspective view of the compact disc carrying case with a single speaker in an open position; the broken lines showing a flap and discs are understood to represent the portions of the design that form no part of the Claim.

1 Claim, 5 Drawing Sheets



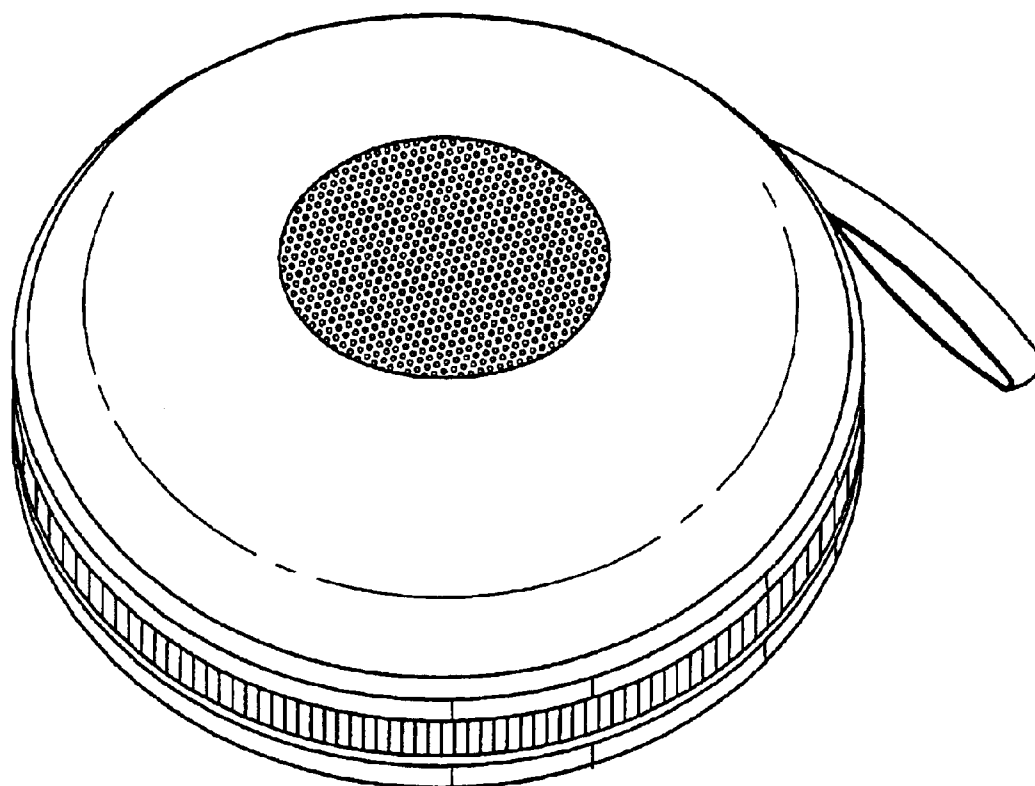


FIG. 1

FIG. 2

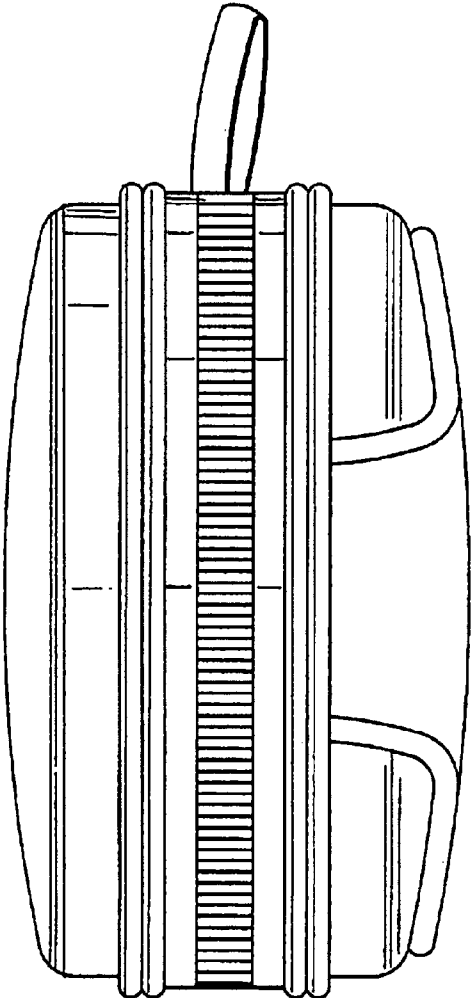


FIG. 3

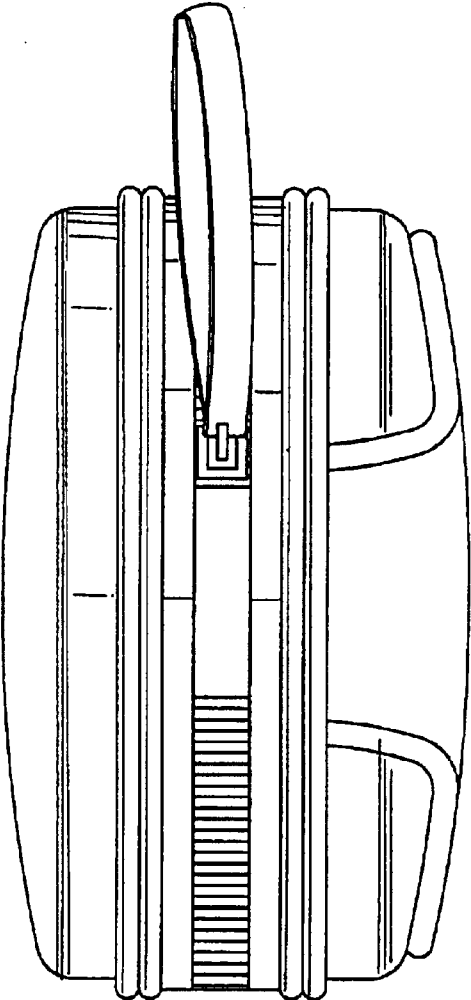


FIG. 4

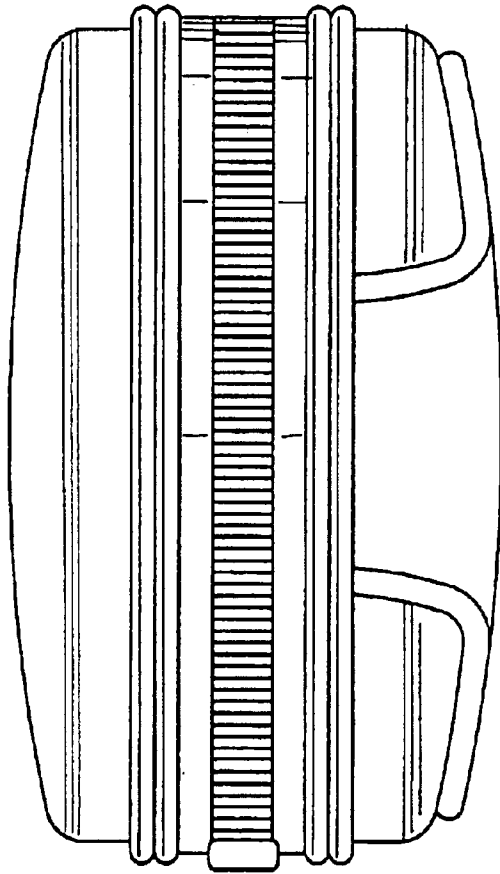
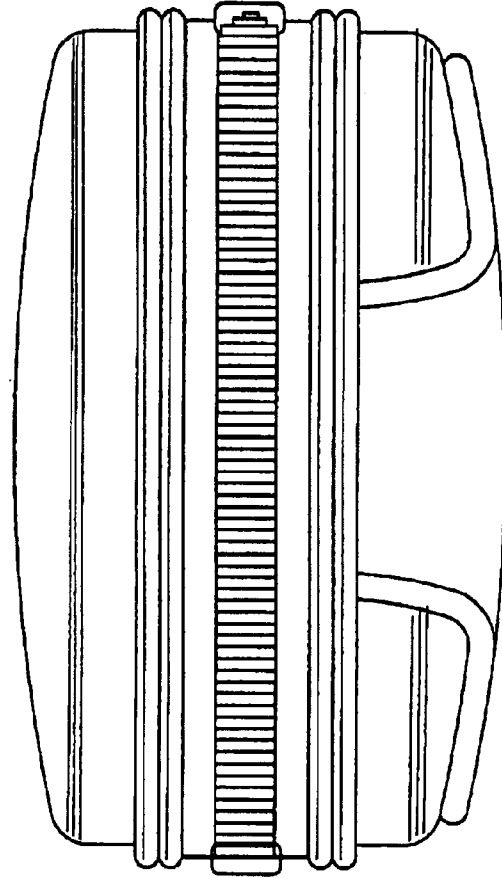


FIG. 5



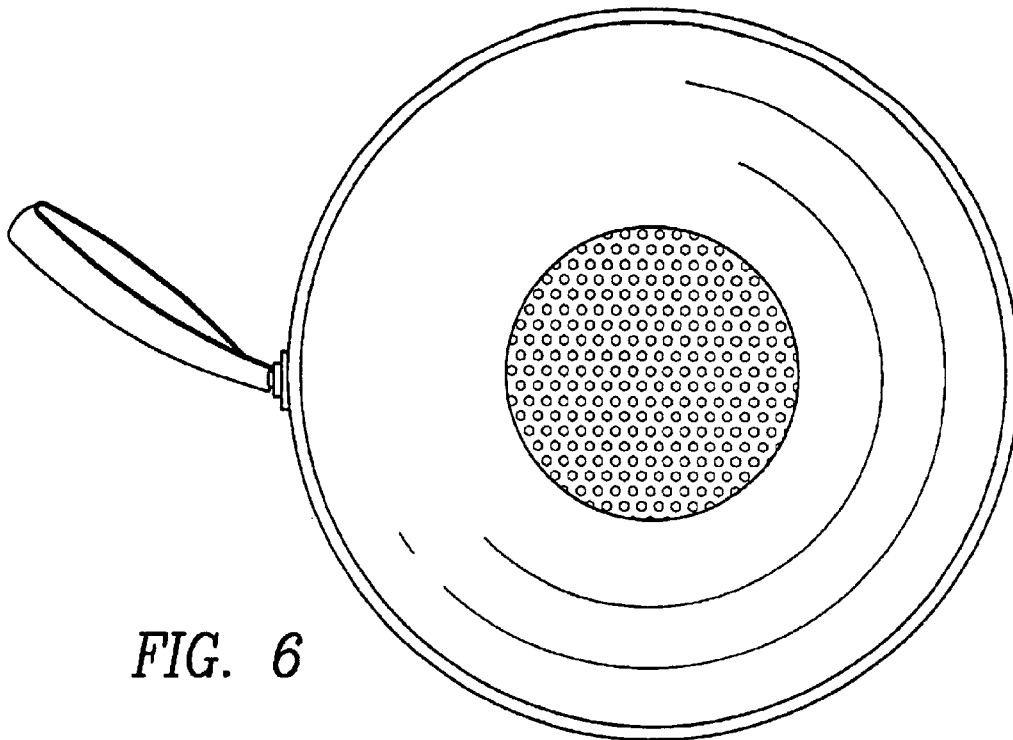


FIG. 6

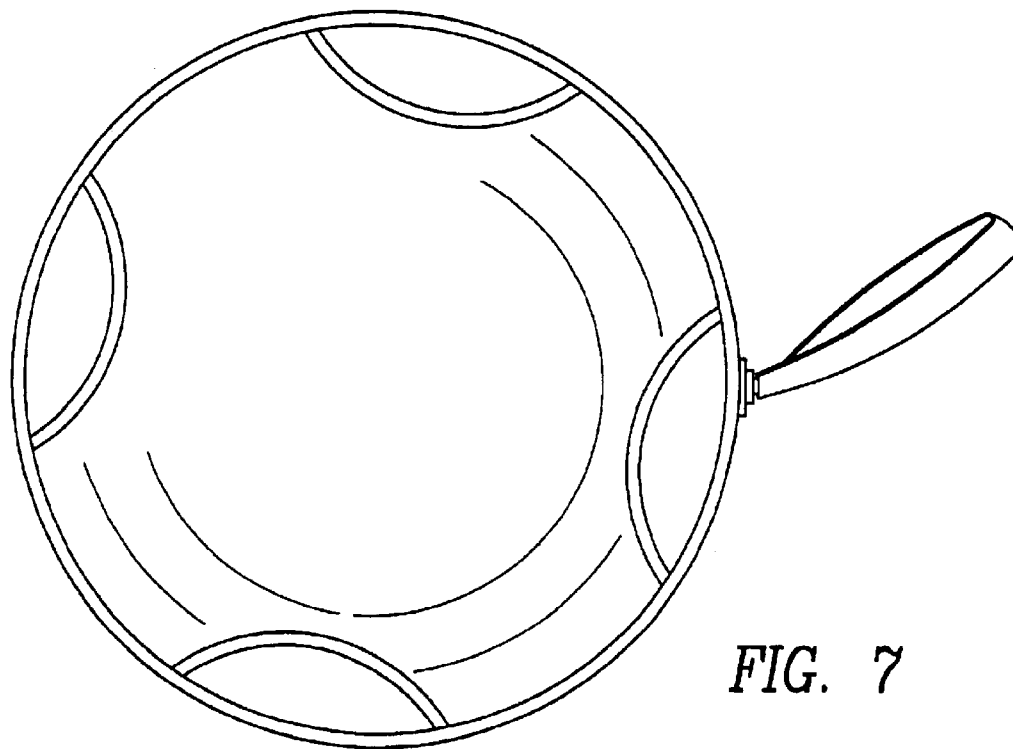


FIG. 7

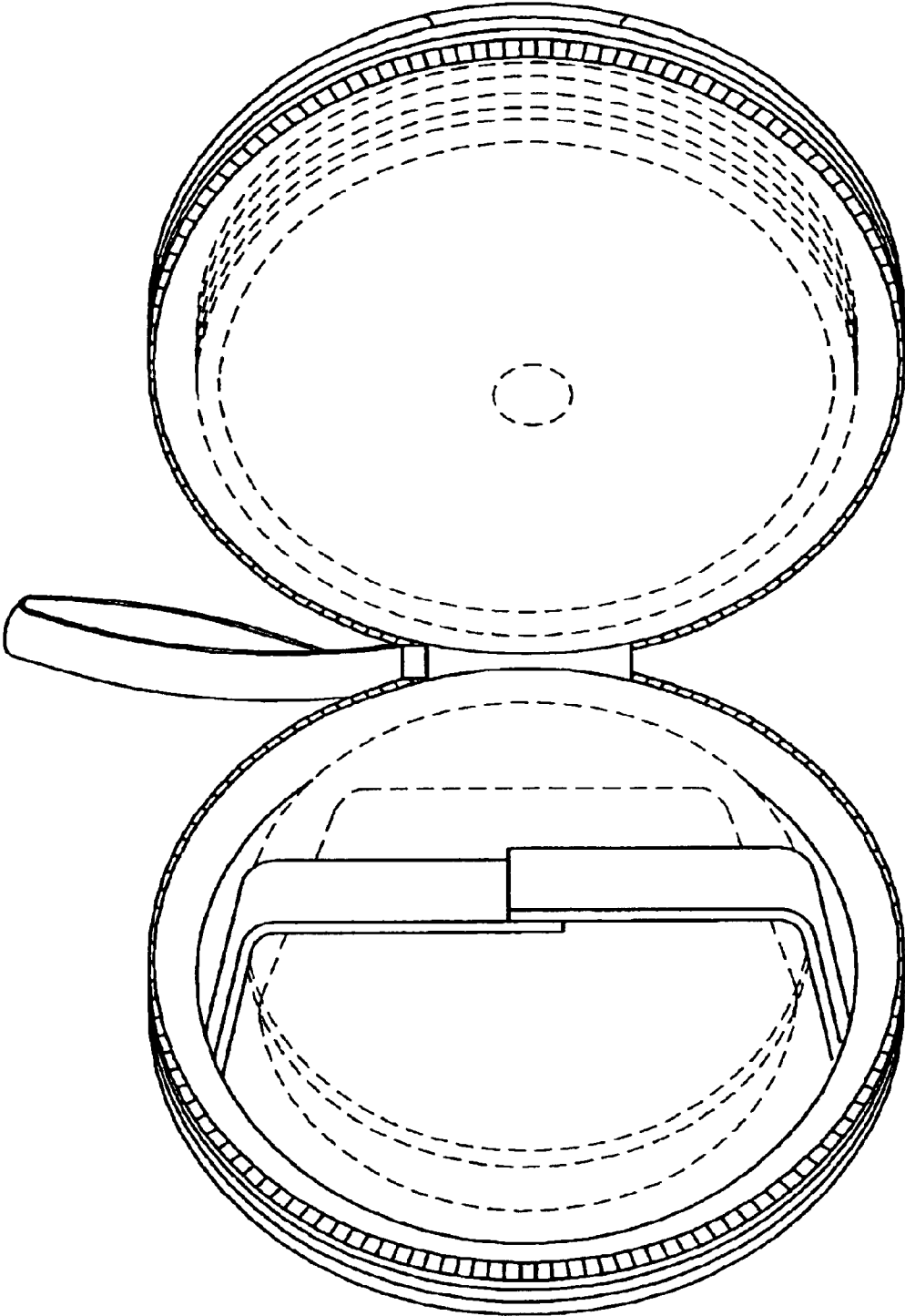


FIG. 8