



US00D556277S

(12) **United States Design Patent**
Broom

(10) **Patent No.:** **US D556,277 S**

(45) **Date of Patent:** **** Nov. 27, 2007**

(54) **GOLF PUTTER HEAD**

Primary Examiner—Mitchell Siegel

(76) **Inventor:** **Richard P. Broom**, 12663 Manzanita Rd., P.O. Box 10248, Bainbridge Island, WA (US) 98110

(74) *Attorney, Agent, or Firm*—Black Lowe & Graham PLLC

(**) **Term:** **14 Years**

(57) **CLAIM**

(21) **Appl. No.:** **29/239,831**

The ornamental design for a golf putter head, as shown and described.

(22) **Filed:** **Oct. 5, 2005**

(51) **LOC (8) Cl.** **21-02**

(52) **U.S. Cl.** **D21/743**

(58) **Field of Classification Search** D21/736-746;
473/324-331, 251-256, 340, 341

See application file for complete search history.

DESCRIPTION

(56) **References Cited**

U.S. PATENT DOCUMENTS

D280,004 S *	8/1985	Worster et al.	D21/744
D417,710 S *	12/1999	Broom	D21/736
D432,608 S *	10/2000	Broom	D21/744
D438,923 S *	3/2001	Broom	D21/744
D495,018 S *	8/2004	Ruffin	D21/736

FIG. 1 is a top, right rear perspective view of my golf putter head.

FIG. 2 is a top plan view thereof.

FIG. 3 is a bottom plan view thereof.

FIG. 4 is a front elevational view thereof.

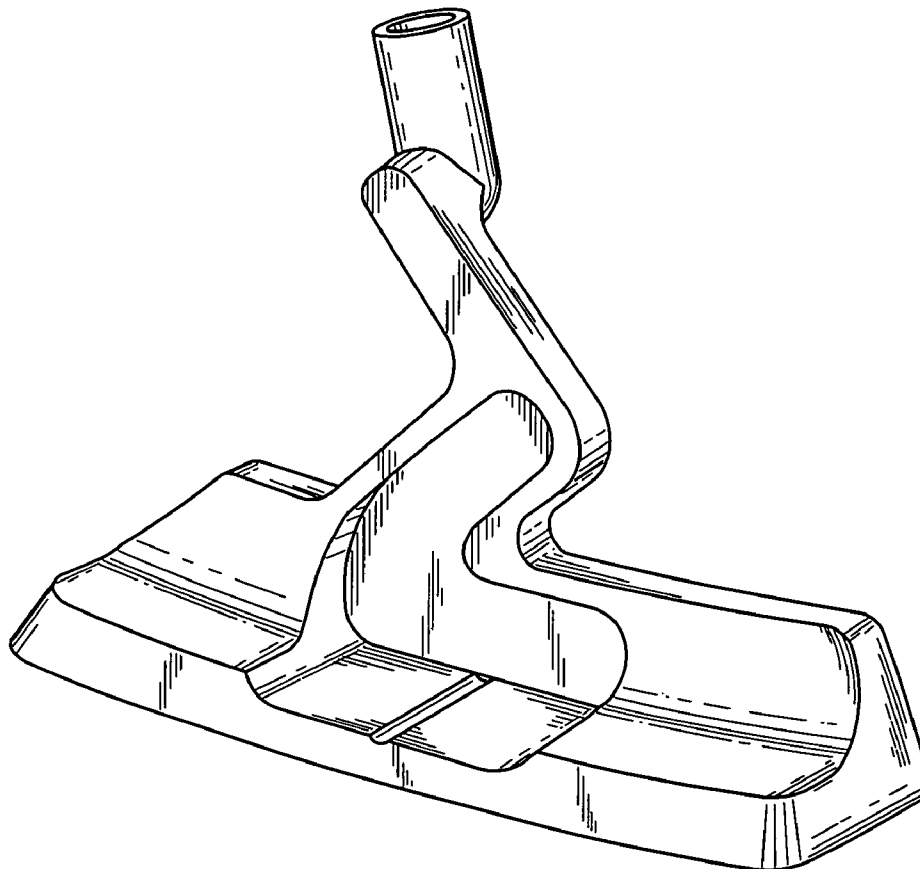
FIG. 5 is a rear elevational view thereof.

FIG. 6 is a right side elevational view thereof; and,

FIG. 7 is a left side elevational view thereof.

* cited by examiner

1 Claim, 3 Drawing Sheets



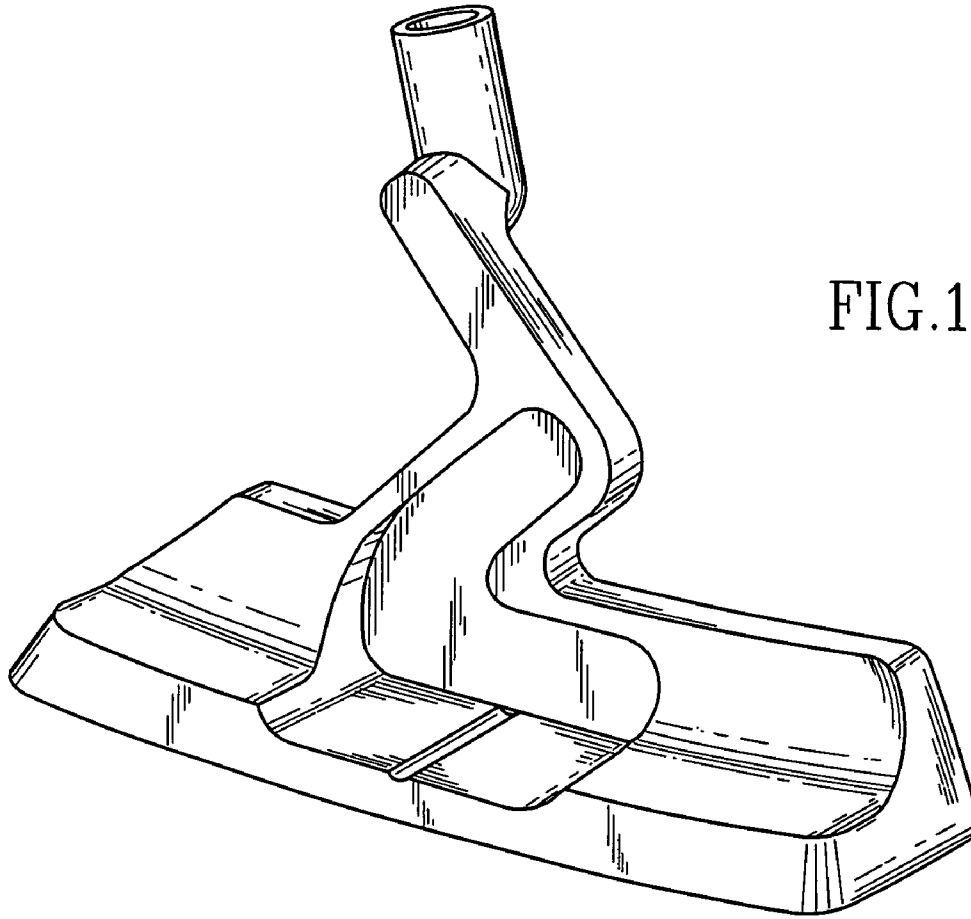


FIG. 1

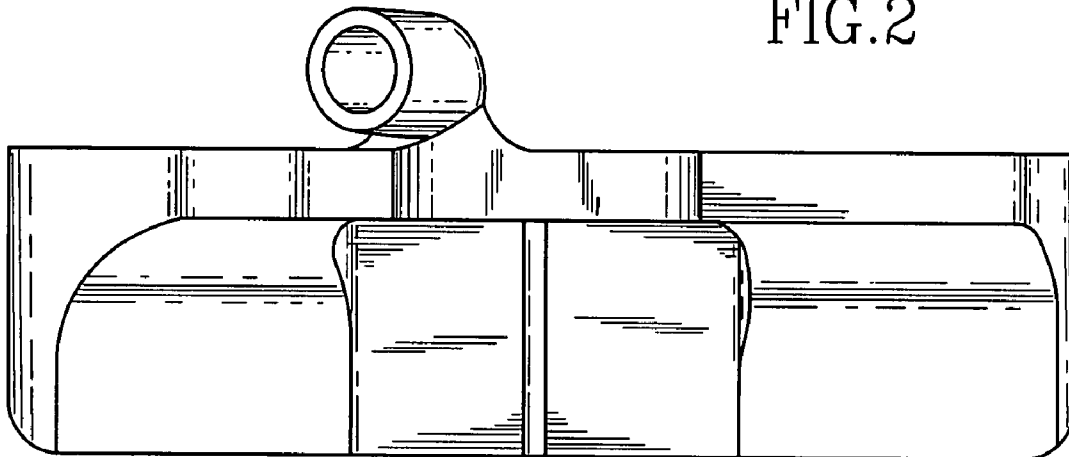


FIG. 2

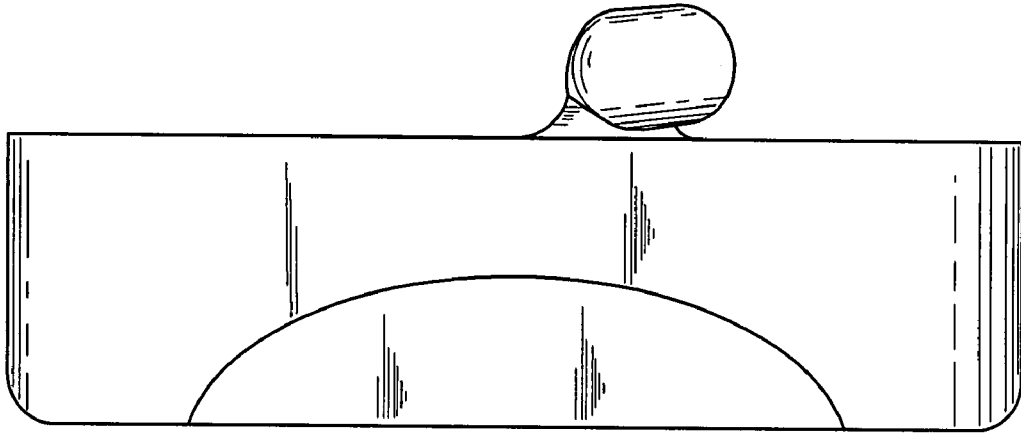


FIG. 3

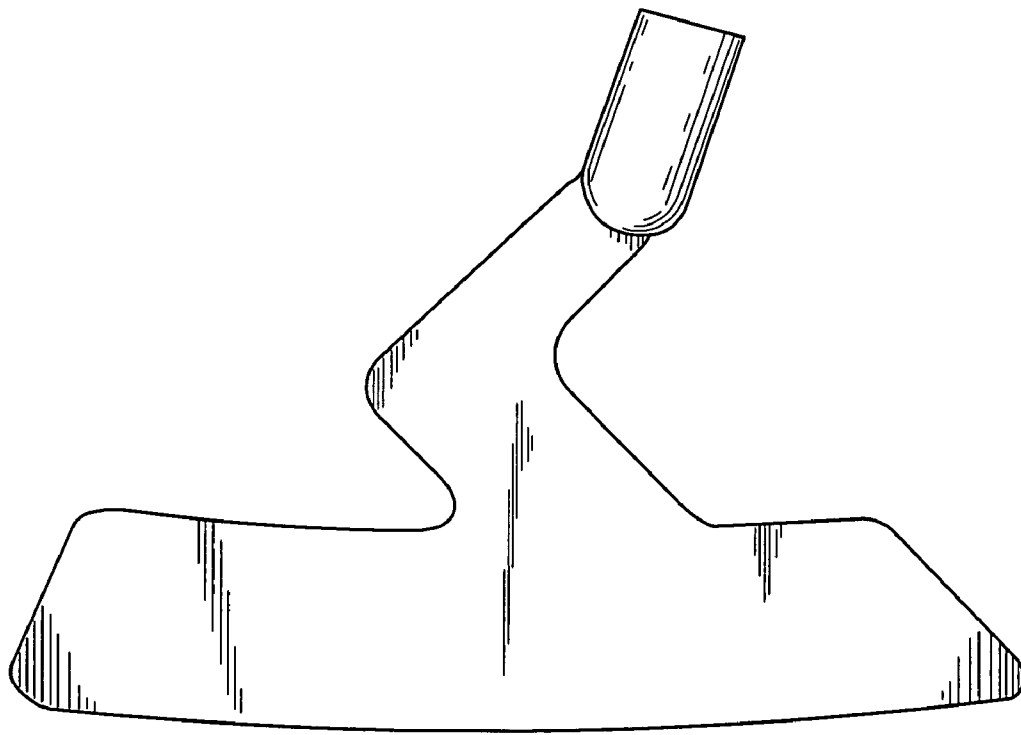


FIG. 4

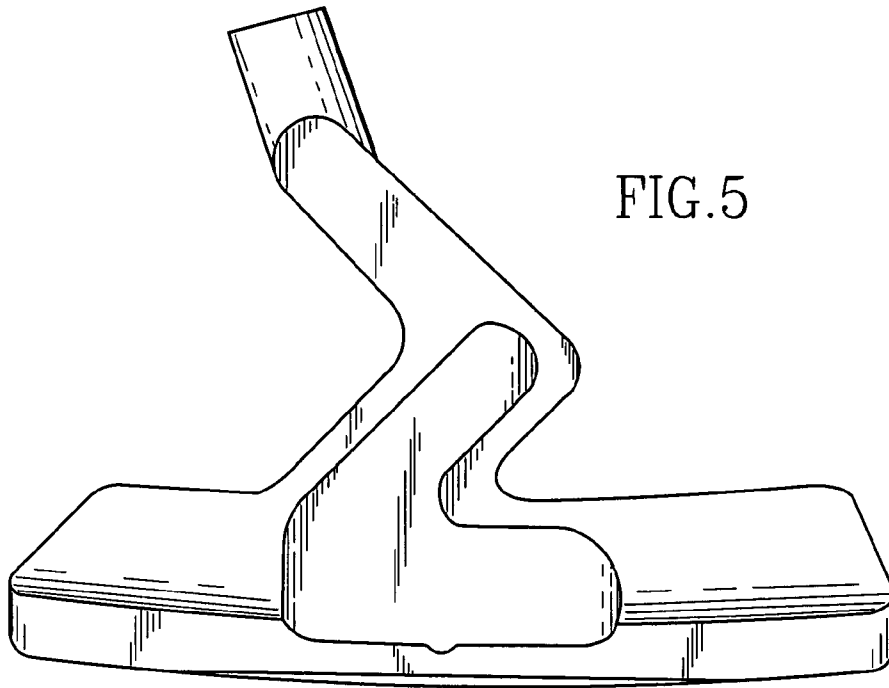


FIG. 5

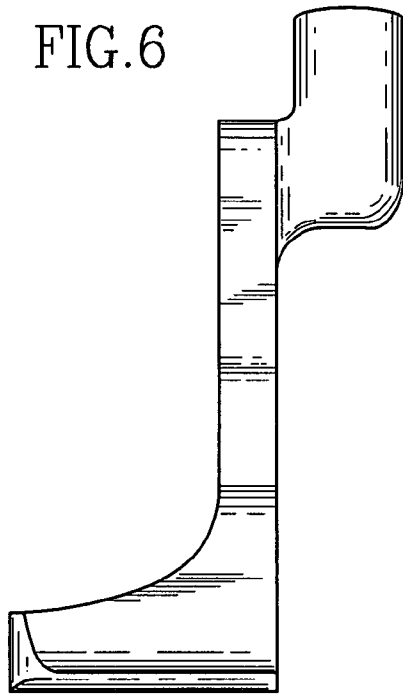


FIG. 6

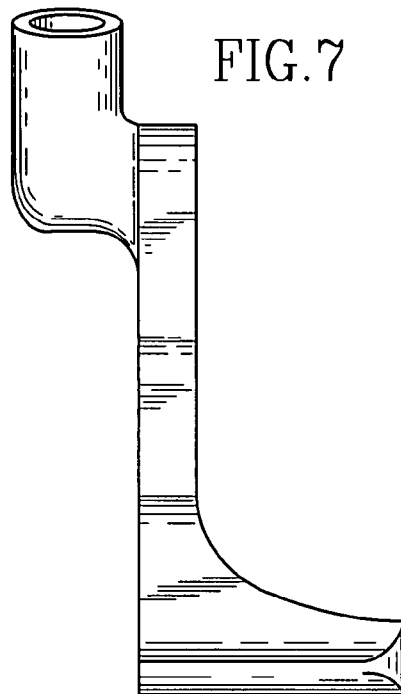


FIG. 7