

(19) World Intellectual Property
Organization
International Bureau



(43) International Publication Date
8 July 2004 (08.07.2004)

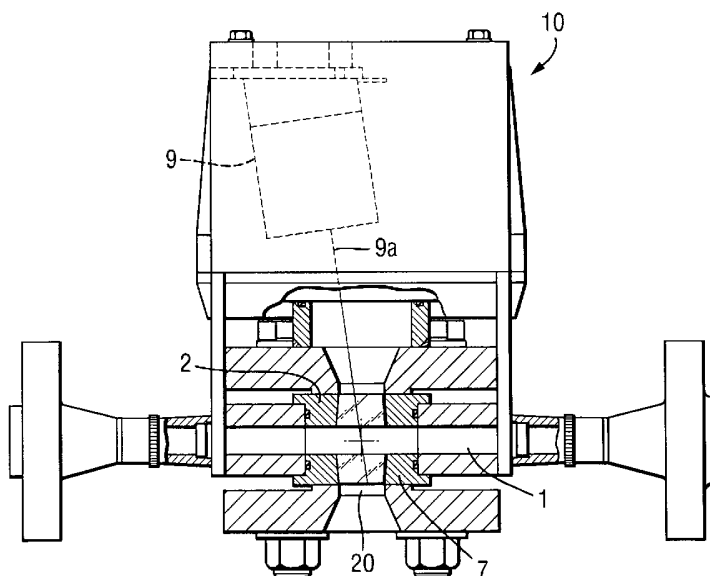
PCT

(10) International Publication Number
WO 2004/057278 A3

- (51) International Patent Classification⁷: G01F 1/74, 1/86, G01N 21/55, 21/59
- (21) International Application Number: PCT/EP2003/015031
- (22) International Filing Date: 19 December 2003 (19.12.2003)
- (25) Filing Language: English
- (26) Publication Language: English
- (30) Priority Data: 0230052.3 23 December 2002 (23.12.2002) GB
- (71) Applicant (for all designated States except US): BOREALIS TECHNOLOGY OY [FI/FI]; PO Box 330, FIN-06101 Porvoo (FI).
- (72) Inventor; and
- (75) Inventor/Applicant (for US only): NIELSEN, Karl [SE/SE]; Pilvagen 1, S-444 47 Stenungsund (SE).
- (74) Agents: JACKSON, Robert, Patrick et al.; Frank B. Dehn & Co., 179 Queen Victoria Street, London EC4V 4EL (GB).
- (81) Designated States (national): AE, AG, AL, AM, AT (utility model), AT, AU, AZ, BA, BB, BG, BR, BW, BY, BZ, CA, CH, CN, CO, CR, CU, CZ (utility model), CZ, DE (utility model), DE, DK (utility model), DK, DM, DZ, EC, EE (utility model), EE, EG, ES, FI (utility model), FI, GB, GD, GE, GH, GM, HR, HU, ID, IL, IN, IS, JP, KE, KG, KP, KR, KZ, LC, LK, LR, LS, LT, LU, LV, MA, MD, MG, MK, MN, MW, MX, MZ, NI, NO, NZ, OM, PG, PH, PL, PT, RO, RU, SC, SD, SE, SG, SK (utility model), SK, SL, SY, TJ, TM, TN, TR, TT, TZ, UA, UG, US, UZ, VC, VN, YU, ZA, ZM, ZW.
- (84) Designated States (regional): ARIPO patent (BW, GH, GM, KE, LS, MW, MZ, SD, SL, SZ, TZ, UG, ZM, ZW), Eurasian patent (AM, AZ, BY, KG, KZ, MD, RU, TJ, TM), European patent (AT, BE, BG, CH, CY, CZ, DE, DK, EE, ES, FI, FR, GB, GR, HU, IE, IT, LU, MC, NL, PT, RO, SE, SI, SK, TR), OAPI patent (BF, BJ, CF, CG, CI, CM, GA, GN, GQ, GW, ML, MR, NE, SN, TD, TG).
- Published: — with international search report

[Continued on next page]

(54) Title: CATALYST FLOW METER



(57) Abstract: An apparatus (10) for detecting the transmission of catalyst plugs through a conduit (105) leading to a, polymerisation reactor, comprising an optical radiation source (9) located outside the conduit which passes a light beam (9a) through the conduit along a light path and an optical radiation detector arranged to detect the light beam. When a catalyst plug passes through the conduit it blocks the light path and thus the light intensity recorded by the detector drops. In this way catalyst plugs can be detected. The apparatus can also be used to measure the mass of an object passing through a conduit by repeatedly detecting the speed of the material and the light intensity, multiplying the speed and intensity values to get a result curve and integrating this curve in order to obtain a value indicative of the mass of the material.

WO 2004/057278 A3



— *before the expiration of the time limit for amending the claims and to be republished in the event of receipt of amendments*

For two-letter codes and other abbreviations, refer to the "Guidance Notes on Codes and Abbreviations" appearing at the beginning of each regular issue of the PCT Gazette.

(88) Date of publication of the international search report:
29 December 2004

INTERNATIONAL SEARCH REPORT

International Application No

PCT/EP 03/15031

A. CLASSIFICATION OF SUBJECT MATTER

IPC 7 G01F1/74 G01F1/86 G01N21/55 G01N21/59

According to International Patent Classification (IPC) or to both national classification and IPC

B. FIELDS SEARCHED

Minimum documentation searched (classification system followed by classification symbols)

IPC 7 G01F G01N

Documentation searched other than minimum documentation to the extent that such documents are included in the fields searched

Electronic data base consulted during the international search (name of data base and, where practical, search terms used)

EPO-Internal, WPI Data, PAJ, INSPEC, COMPENDEX

C. DOCUMENTS CONSIDERED TO BE RELEVANT

| Category ° | Citation of document, with indication, where appropriate, of the relevant passages | Relevant to claim No. |
|------------|--|-------------------------------------|
| X | US 5 550 537 A (PERDUE KENNETH L) 27 August 1996 (1996-08-27) column 3, line 65 - column 6, line 56; figures 1a,1b,1c,2,3 | 1,2,4-30 |
| X | WO 01/65234 A (UNIV MISSISSIPPI) 7 September 2001 (2001-09-07) page 6, paragraph 3 - page 14, paragraph 2; figures | 1,2,13, 14,23, 24,27-30 |
| X | DE 30 42 622 A (BATTELLE INSTITUT E V) 19 May 1982 (1982-05-19) the whole document | 1-3,7, 10-15, 23,24, 27,30 |



Further documents are listed in the continuation of box C.



Patent family members are listed in annex.

° Special categories of cited documents:

- *A* document defining the general state of the art which is not considered to be of particular relevance
- *E* earlier document but published on or after the international filing date
- *L* document which may throw doubts on priority claim(s) or which is cited to establish the publication date of another citation or other special reason (as specified)
- *O* document referring to an oral disclosure, use, exhibition or other means
- *P* document published prior to the international filing date but later than the priority date claimed

- *T* later document published after the international filing date or priority date and not in conflict with the application but cited to understand the principle or theory underlying the invention
- *X* document of particular relevance; the claimed invention cannot be considered novel or cannot be considered to involve an inventive step when the document is taken alone
- *Y* document of particular relevance; the claimed invention cannot be considered to involve an inventive step when the document is combined with one or more other such documents, such combination being obvious to a person skilled in the art.
- *Z* document member of the same patent family

Date of the actual completion of the international search

29 October 2004

Date of mailing of the international search report

09/11/2004

Name and mailing address of the ISA

European Patent Office, P.B. 5818 Patentlaan 2
NL - 2280 HV Rijswijk
Tel. (+31-70) 340-2040, Tx. 31 651 epo nl,
Fax: (+31-70) 340-3016

Authorized officer

Politsch, E

INTERNATIONAL SEARCH REPORT

International Application No

PCT/EP 03/15031

C.(Continuation) DOCUMENTS CONSIDERED TO BE RELEVANT

| Category ° | Citation of document, with indication, where appropriate, of the relevant passages | Relevant to claim No. |
|------------|---|---------------------------|
| X A | EP 0 571 269 A (COMMISSARIAT ENERGIE ATOMIQUE) 24 November 1993 (1993-11-24) column 2, line 15 - column 3, line 45; figures ----- | 1,7,10 13,27 |
| P,X | WO 03/012375 A (HAPPEL JENS; MIC MEASURING IDEAS CONSULTING (DE)) 13 February 2003 (2003-02-13) page 7, line 26 ----- | 1-3,7, 13-15, 23,27 |

INTERNATIONAL SEARCH REPORT

Information on patent family members

International Application No

PCT/EP 03/15031

| Patent document cited in search report | Publication date | Patent family member(s) | Publication date | |
|---|---------------------|----------------------------|---|--|
| US 5550537 | A | 27-08-1996 | CA 2190612 A1 EP 0767894 A1 WO 9530884 A1 | 16-11-1995 16-04-1997 16-11-1995 |
| WO 0165234 | A | 07-09-2001 | AU 4541001 A WO 0165234 A1 US 2002024666 A1 | 12-09-2001 07-09-2001 28-02-2002 |
| DE 3042622 | A | 19-05-1982 | DE 3042622 A1 | 19-05-1982 |
| EP 0571269 | A | 24-11-1993 | FR 2691541 A1 EP 0571269 A1 | 26-11-1993 24-11-1993 |
| WO 03012375 | A | 13-02-2003 | DE 10137009 C1 WO 03012375 A2 EP 1419366 A2 | 03-04-2003 13-02-2003 19-05-2004 |