



US00D720131S

(12) **United States Design Patent**
Siegel et al.

(10) **Patent No.:** **US D720,131 S**

(45) **Date of Patent:** **** Dec. 30, 2014**

(54) **MULTI-CONFIGURATION TOTE BAG**

Primary Examiner — Holly Baynham

(74) *Attorney, Agent, or Firm* — QuickPatents; Kevin Prince

(71) Applicants: **Rick Siegel**, Los Angeles, CA (US);
Jennifer Nigrosh, Los Angeles, CA (US)

(57) **CLAIM**

(72) Inventors: **Rick Siegel**, Los Angeles, CA (US);
Jennifer Nigrosh, Los Angeles, CA (US)

We claim the ornamental design for a multi-configuration tote bag, as shown and described.

(**) Term: **14 Years**

DESCRIPTION

(21) Appl. No.: **29/464,076**

FIG. 1 is a perspective view of a multi-configuration tote bag, showing our new design in a first configuration with handles in a raised position and a bag top portion in a lowered position within the tote bag;

(22) Filed: **Aug. 12, 2013**

FIG. 2 is a perspective view thereof, illustrated in a fully collapsed configuration;

(51) **LOC (10) Cl.** **03-01**

(52) **U.S. Cl.**

USPC **D3/233**

(58) **Field of Classification Search**

CPC A45C 1/024; A45C 3/06

USPC D3/232–233, 240–243, 245–246;

150/100, 103–110, 113–114, 117–119

See application file for complete search history.

FIG. 3 is a perspective view thereof, illustrated with the handles in a lowered position and the bag top portion in a raised position, the bag top closed with a draw string in an extended position;

FIG. 4 is a perspective view thereof, illustrated with the bag top portion in the raised position, the bag top in an open position with the draw string in a refracted position;

FIG. 5 is a front elevational view of FIG. 4;

FIG. 6 is a rear elevational view of FIG. 4;

FIG. 7 is a left-side elevational view of FIG. 4;

FIG. 8 is a right-side elevational view of FIG. 4;

FIG. 9 is a top plan view of FIG. 4; and,

FIG. 10 is a bottom plan view of FIG. 4.

The broken lines showing a person's hand in FIG. 3 depict environmental matter and form no part of the claimed design. The remaining broken lines represent stitching, and are part of the claimed design.

(56)

References Cited

U.S. PATENT DOCUMENTS

D596,396 S *	7/2009	McCoy et al.	D3/232
D630,013 S *	1/2011	Yu	D3/232
D630,844 S *	1/2011	Wang et al.	D3/232
D630,845 S *	1/2011	Guichot	D3/232
D632,074 S *	2/2011	Chan et al.	D3/232
D641,157 S *	7/2011	Steele	D3/232
D641,549 S *	7/2011	Caldwell	D3/232
D670,906 S *	11/2012	Du	D3/243
D688,449 S *	8/2013	Schinasi	D3/232

* cited by examiner

1 Claim, 5 Drawing Sheets





FIG. 1

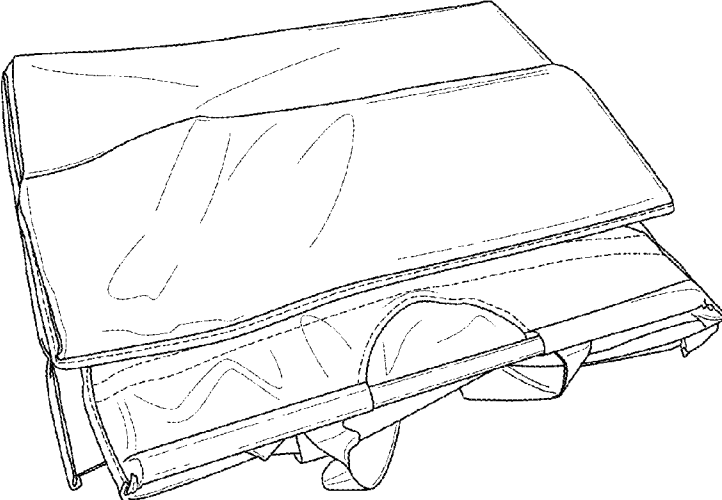


FIG. 2

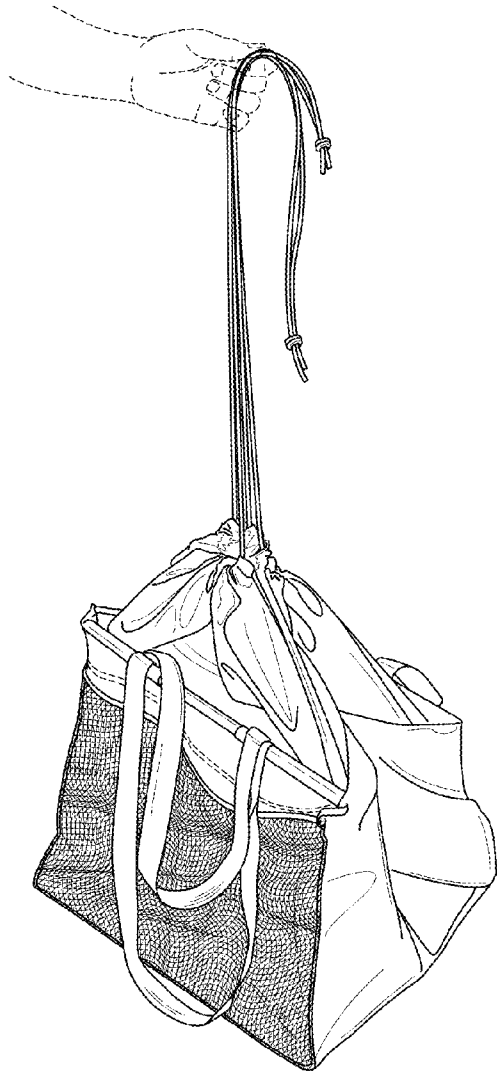


FIG. 3

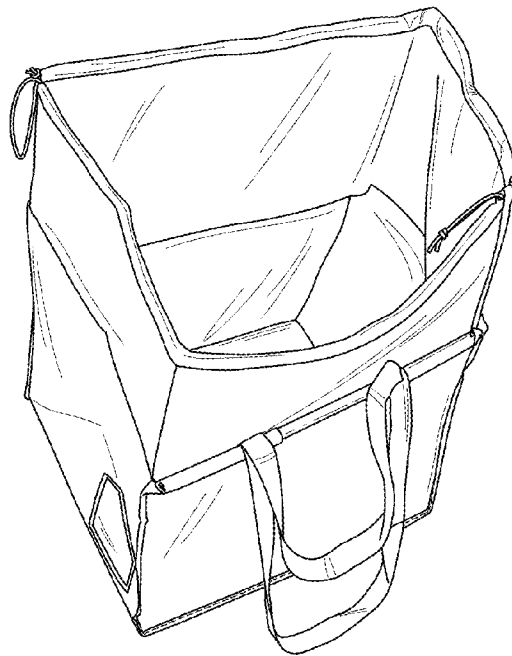


FIG. 4

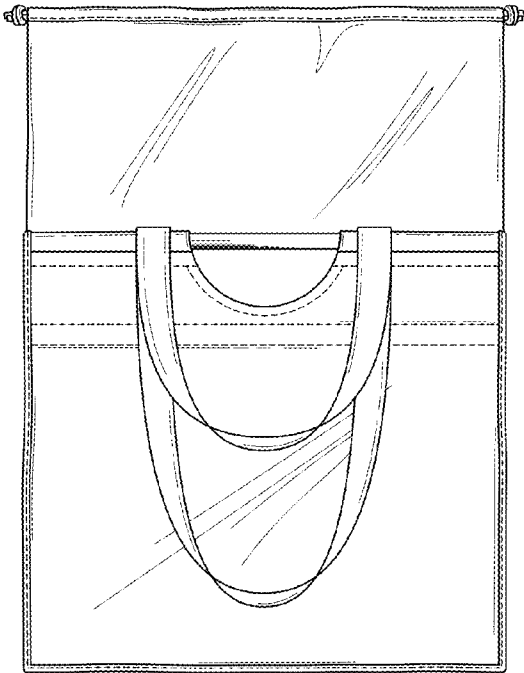


FIG. 5

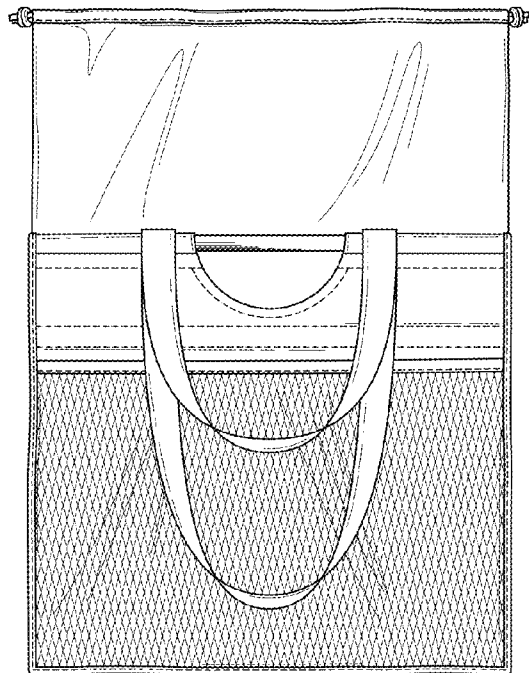


FIG. 6

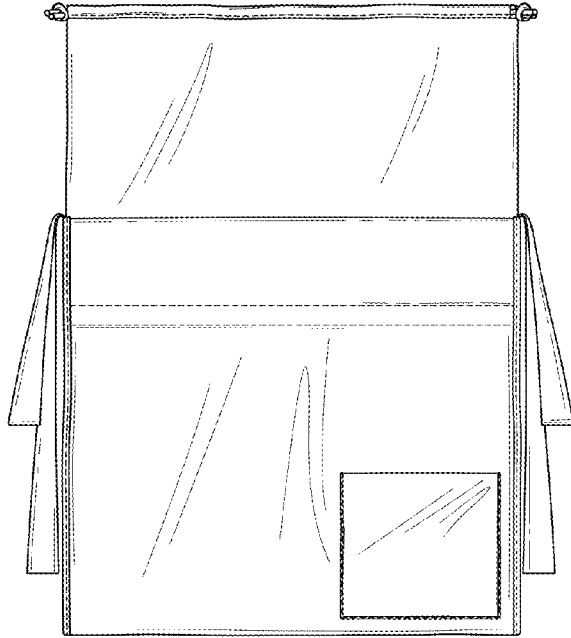


FIG. 7

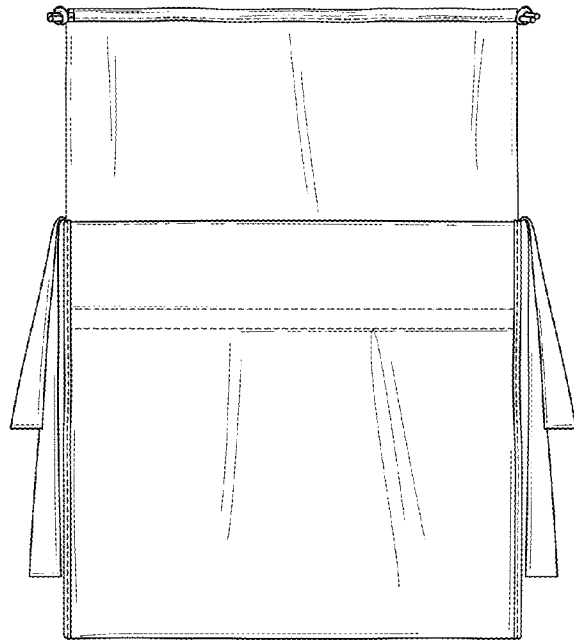


FIG. 8

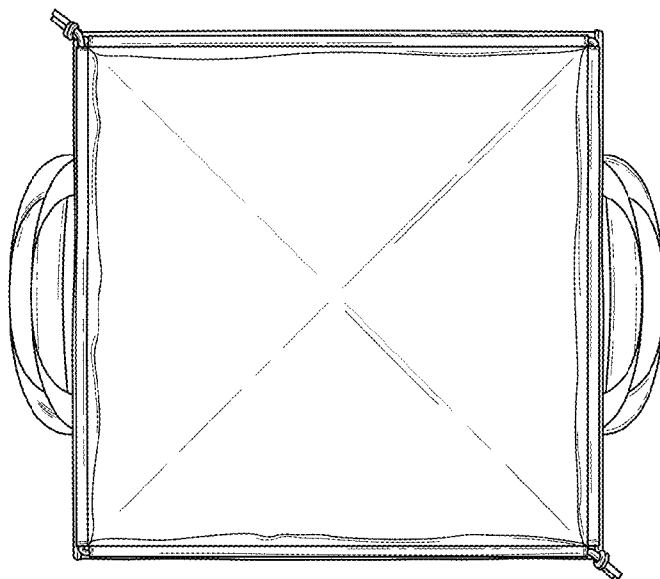


FIG. 9

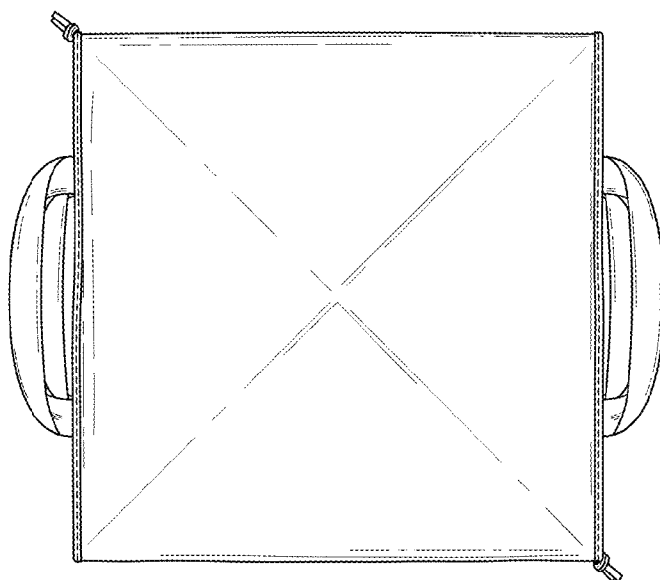


FIG. 10