

(12) INTERNATIONAL APPLICATION PUBLISHED UNDER THE PATENT COOPERATION TREATY (PCT)

(19) World Intellectual Property Organization
International Bureau



(43) International Publication Date
7 March 2002 (07.03.2002)

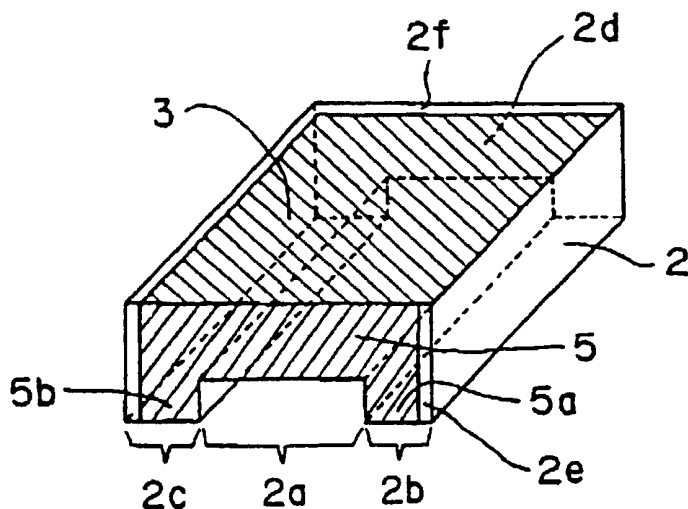
PCT

(10) International Publication Number
WO 02/19464 A3

- (51) International Patent Classification⁷: H01Q 1/00 (74) Agent: DEGUELLE, Wilhelmus, H., G.; Internationaal Octrooibureau B.V., Prof Holstlaan 6, NL-5656 AA Eindhoven (NL).
- (21) International Application Number: PCT/EP01/09996
- (22) International Filing Date: 28 August 2001 (28.08.2001) (81) Designated States (*national*): CN, KR, US.
- (25) Filing Language: English (84) Designated States (*regional*): European patent (AT, BE, CH, CY, DE, DK, ES, FI, FR, GB, GR, IE, IT, LU, MC, NL, PT, SE, TR).
- (26) Publication Language: English
- (30) Priority Data:
2000-260096 30 August 2000 (30.08.2000) JP
— with international search report
— before the expiration of the time limit for amending the claims and to be republished in the event of receipt of amendments
- (71) Applicant (*for all designated States except US*): KONINKLIJKE PHILIPS ELECTRONICS N.V. [NL/NL]; Groenewoudseweg 1, NL-5621 BA Eindhoven (NL).
- (88) Date of publication of the international search report:
20 June 2002
- (72) Inventors; and
- (75) Inventors/Applicants (*for US only*): ABE, Masaaki [JP/NL]; Prof. Holstlaan 6, NL-5656 AA Eindhoven (NL). FUJITA, Makoto [JP/NL]; Prof. Holstlaan 6, NL-5656 AA Eindhoven (NL).

For two-letter codes and other abbreviations, refer to the "Guidance Notes on Codes and Abbreviations" appearing at the beginning of each regular issue of the PCT Gazette.

(54) Title: AN ANTENNA DEVICE



(57) Abstract: The invention provides an antenna device (1) that is small in its size but wide in its bandwidth. The recess (2a) is formed in the dielectric substrate (2). The shorting electrode (5) is formed on the front surface (2d) of the substrate (2) for connecting radiation electrode (3) to each of grounding electrodes (6, 7).



WO 02/19464 A3

INTERNATIONAL SEARCH REPORT

International Application No

PCT/EP 01/09996

A. CLASSIFICATION OF SUBJECT MATTER

IPC 7 H01Q9/04

According to International Patent Classification (IPC) or to both national classification and IPC

B. FIELDS SEARCHED

Minimum documentation searched (classification system followed by classification symbols)

IPC 7 H01Q

Documentation searched other than minimum documentation to the extent that such documents are included in the fields searched

Electronic data base consulted during the international search (name of data base and, where practical, search terms used)

EPO-Internal, WPI Data, INSPEC, PAJ

C. DOCUMENTS CONSIDERED TO BE RELEVANT

Category °	Citation of document, with indication, where appropriate, of the relevant passages	Relevant to claim No.
X	EP 0 766 340 A (MURATA MANUFACTURING CO) 2 April 1997 (1997-04-02) the whole document	1, 2, 4, 5
X	US 5 588 198 A (KAWAHATA KAZUNARI ET AL) 31 December 1996 (1996-12-31) column 1, line 14 - line 31; figures 1, 4	1-3
A	EP 0 801 436 A (COMMUNICATON RESEARCH CENTRE) 15 October 1997 (1997-10-15) column 5, line 3 - line 21; figure 1	3

Further documents are listed in the continuation of box C.

Patent family members are listed in annex.

° Special categories of cited documents :

- *A* document defining the general state of the art which is not considered to be of particular relevance
- *E* earlier document but published on or after the international filing date
- *L* document which may throw doubts on priority claim(s) or which is cited to establish the publication date of another citation or other special reason (as specified)
- *O* document referring to an oral disclosure, use, exhibition or other means
- *P* document published prior to the international filing date but later than the priority date claimed

- *T* later document published after the international filing date or priority date and not in conflict with the application but cited to understand the principle or theory underlying the invention
- *X* document of particular relevance; the claimed invention cannot be considered novel or cannot be considered to involve an inventive step when the document is taken alone
- *Y* document of particular relevance; the claimed invention cannot be considered to involve an inventive step when the document is combined with one or more other such documents, such combination being obvious to a person skilled in the art.
- * & * document member of the same patent family

Date of the actual completion of the international search

22 April 2002

Date of mailing of the international search report

06/05/2002

Name and mailing address of the ISA

European Patent Office, P.B. 5818 Patentlaan 2
NL - 2280 HV Rijswijk
Tel. (+31-70) 340-2040, Tx. 31 651 epo nl.
Fax: (+31-70) 340-3016

Authorized officer

Moumen, A

INTERNATIONAL SEARCH REPORT

Information on patent family members

International Application No

PCT/EP 01/09996

Patent document cited in search report	A	Publication date	Patent family member(s)	Publication date
EP 0766340	A	02-04-1997	CA 2186807 A1	29-03-1997
			DE 69617855 D1	24-01-2002
			EP 1102346 A1	23-05-2001
			EP 1102348 A1	23-05-2001
			EP 0766340 A2	02-04-1997
			JP 3159084 B2	23-04-2001
			JP 9153734 A	10-06-1997
			US 5696517 A	09-12-1997
US 5588198	A	31-12-1996	JP 3216397 B2	09-10-2001
			JP 7249932 A	26-09-1995
EP 0801436	A	15-10-1997	CA 2173679 A1	10-10-1997
			AU 721740 B2	13-07-2000
			AU 1783497 A	16-10-1997
			EP 0801436 A2	15-10-1997
			US 5952972 A	14-09-1999