



US00D775682S

(12) **United States Design Patent**
Ou et al.

(10) **Patent No.:** **US D775,682 S**
(45) **Date of Patent:** **** Jan. 3, 2017**

(54) **HOLDER FOR A PORTABLE ELECTRONIC DEVICE**

FOREIGN PATENT DOCUMENTS

(71) Applicant: **HTC Corporation**, Taoyuan (TW)

JP D1328914 * 5/2008
TW D121000 1/2008

(72) Inventors: **Shih-Hsun Ou**, Taoyuan (TW);
Jung-Cheng Su, Taoyuan (TW)

OTHER PUBLICATIONS

(73) Assignee: **HTC Corporation**, Taoyuan (TW)

<https://www.htc.com/us/accessories/#!pid=re-camera> Available Mar. 16, 2015.*

(**) Term: **14 Years**

(Continued)

(21) Appl. No.: **29/513,797**

Primary Examiner — Susan Bennett Hattan

(22) Filed: **Jan. 6, 2015**

Assistant Examiner — Leanne Was

(51) **LOC (10) Cl.** **16-01**

(74) *Attorney, Agent, or Firm* — Jianq Chyun IP Office

(52) **U.S. Cl.**
USPC **D16/237**

(57) **CLAIM**

(58) **Field of Classification Search**
USPC . D3/215, 219, 266, 267; D6/535; D7/619.1, D7/620, 621, 622; D11/26; D14/253, 447; D16/200–204, 206–208, D16/237, D16/242–245; 224/269, 904, 908; 348/373, 375; 396/419–421, 429, 535
CPC G03B 17/561; H04N 5/2252; H04N 5/2254
See application file for complete search history.

The ornamental design for a holder for a portable electronic device, as shown and described.

DESCRIPTION

(56) **References Cited**

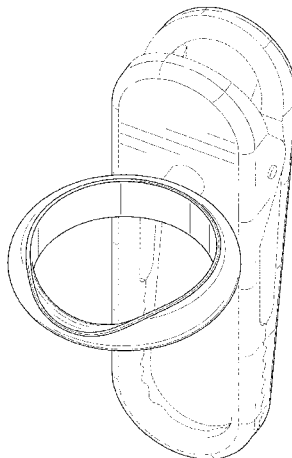
U.S. PATENT DOCUMENTS

2,926,879	A *	3/1960	Dietrich	A47G 23/0225	224/406
D237,016	S	9/1975	Stevenson			
D267,050	S *	11/1982	Ostrom	D16/219	
D283,283	S *	4/1986	Sollen	D6/535	
D410,212	S *	5/1999	Otero	D11/26	
D512,275	S *	12/2005	Kent-Fawkes	D7/622	
D534,939	S *	1/2007	Sheehan	D16/208	
D592,362	S *	5/2009	Rutherford	D30/119	
D600,077	S *	9/2009	Barnes, Jr.	D7/620	
D608,184	S	1/2010	Kellegan			
D623,849	S *	9/2010	Chorazewitz	D3/215	
D636,174	S	4/2011	Smith			
D669,317	S *	10/2012	Giampavolo	D7/620	
8,777,170	B2 *	7/2014	Gilbert	A63H 3/50	224/666

(Continued)

FIG. 1 is a perspective view of a holder for a portable electronic device showing our new design;
FIG. 2 is a front view thereof;
FIG. 3 is a rear view thereof;
FIG. 4 is a left side view thereof;
FIG. 5 is a right side view thereof;
FIG. 6 is a top view thereof;
FIG. 7 is a bottom view thereof;
FIG. 8 is a perspective view thereof with the ring twisted; and,
FIG. 9 is a perspective view thereof with a portable electronic device encircled by the ring.
The dash-dash lines depict portions of the holder for a portable electronic device that form no part of the claimed design. The dot-dot-dash lines showing the portable electronic device illustrate unclaimed environment and form no part of the claimed design.

1 Claim, 9 Drawing Sheets



(56)

References Cited

U.S. PATENT DOCUMENTS

8,979,398 B2 * 3/2015 Han G03B 17/561
396/424
D750,445 S * 3/2016 Smith D7/619.1
D751,563 S * 3/2016 Wengreen D14/447
2015/0122852 A1 * 5/2015 Feng A45F 5/00
224/191

OTHER PUBLICATIONS

“Notice of Allowance of Taiwan Counterpart Application”, issued on Jul. 27, 2015, p. 1-p. 3.

* cited by examiner

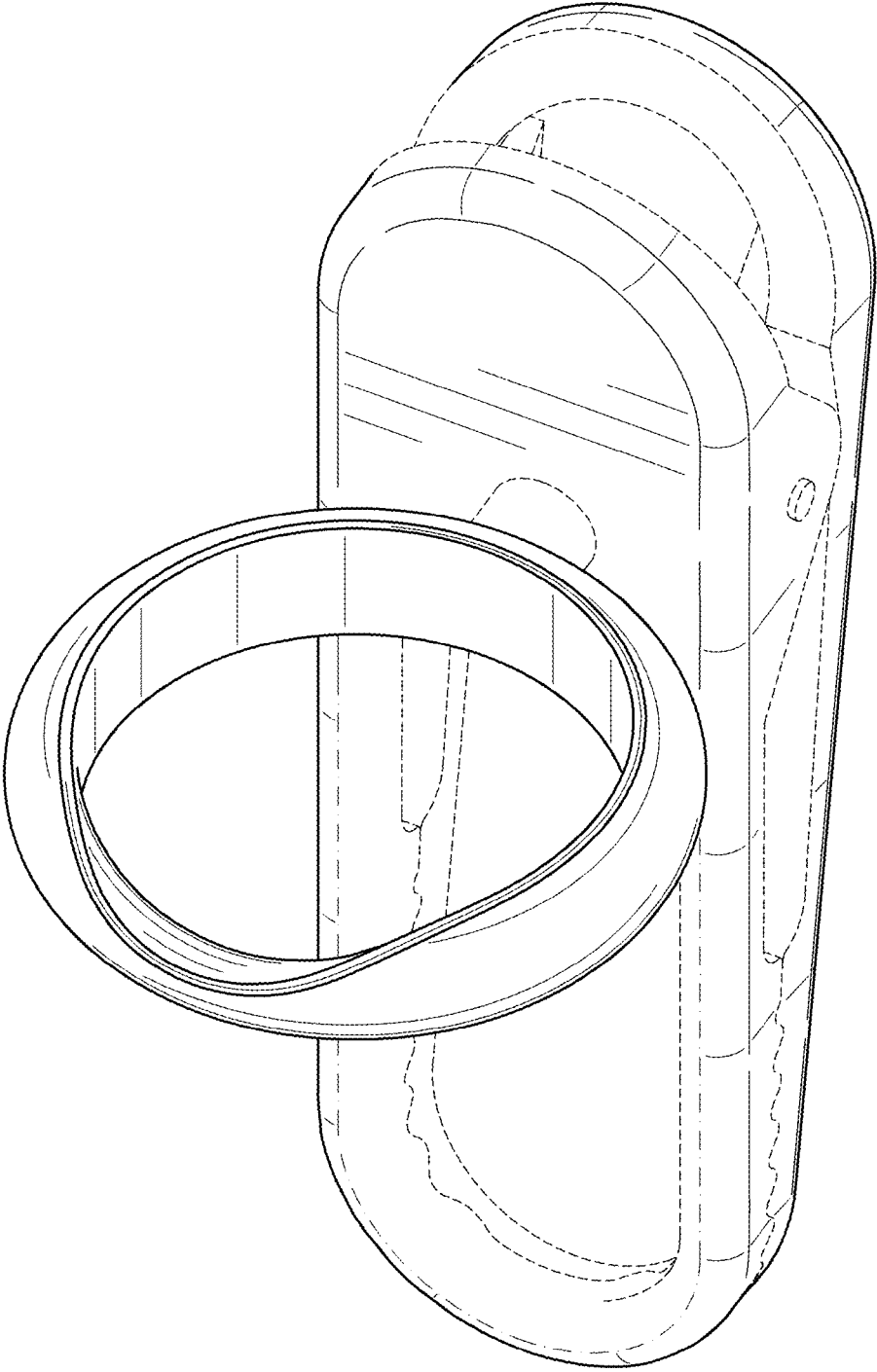


FIG. 1

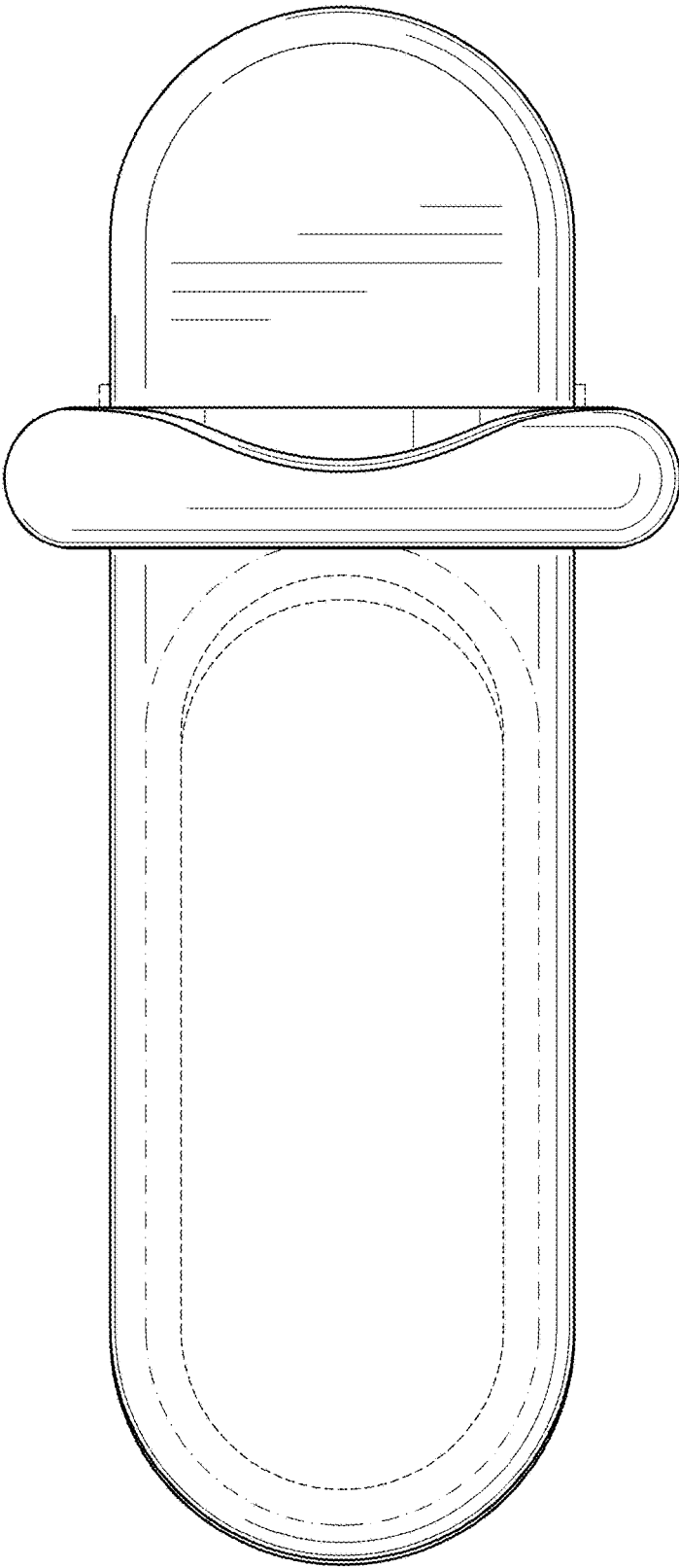


FIG. 2

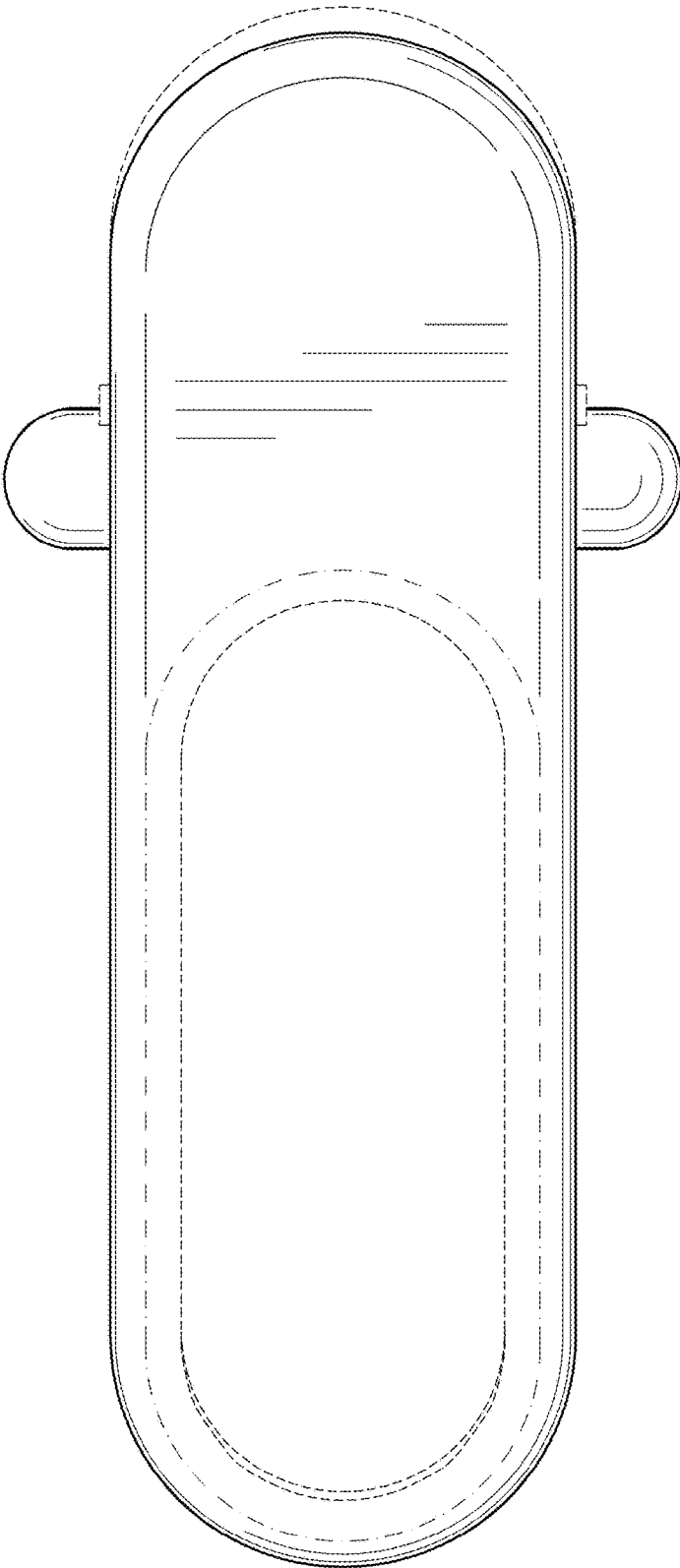


FIG. 3

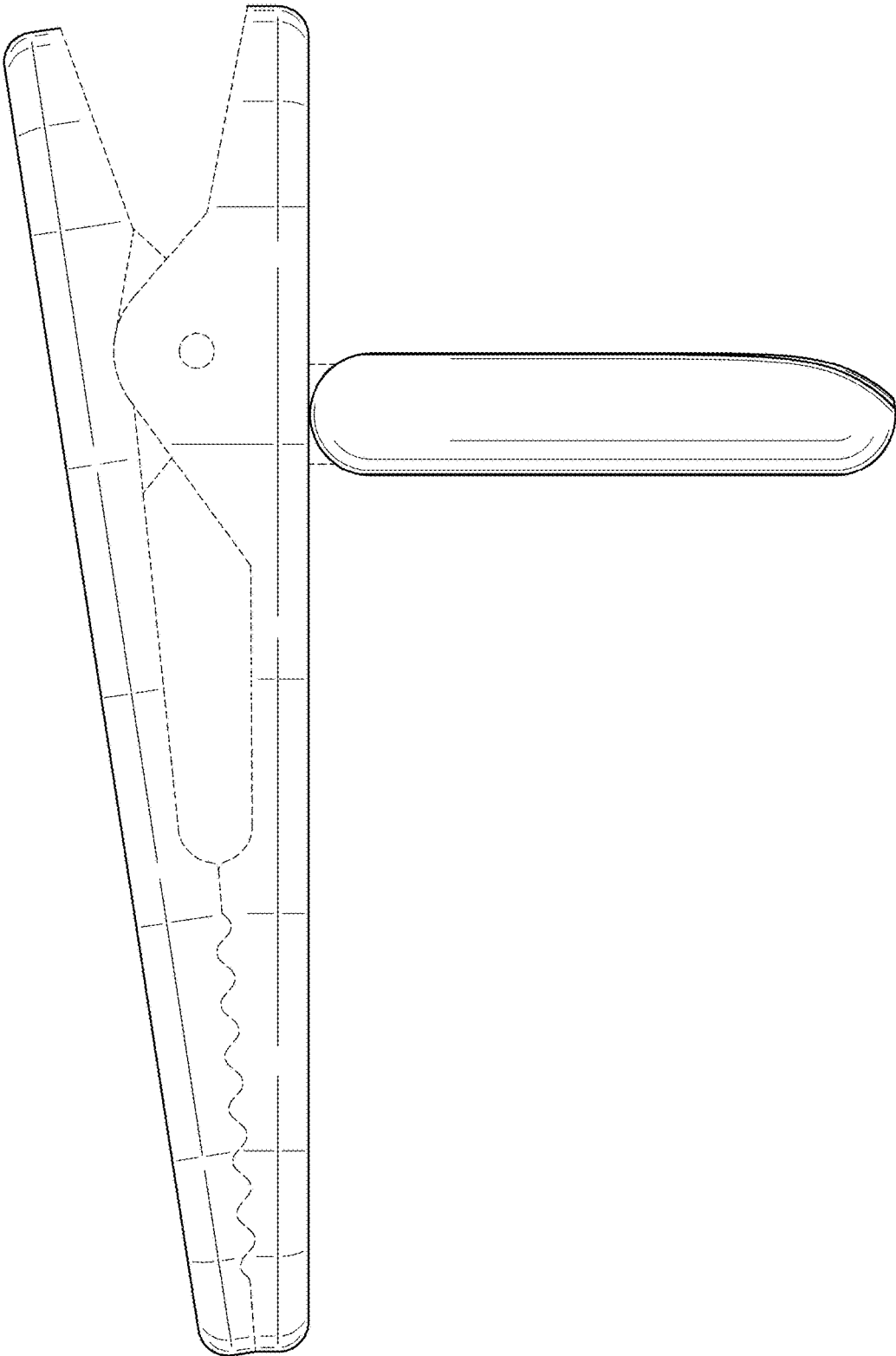


FIG. 4

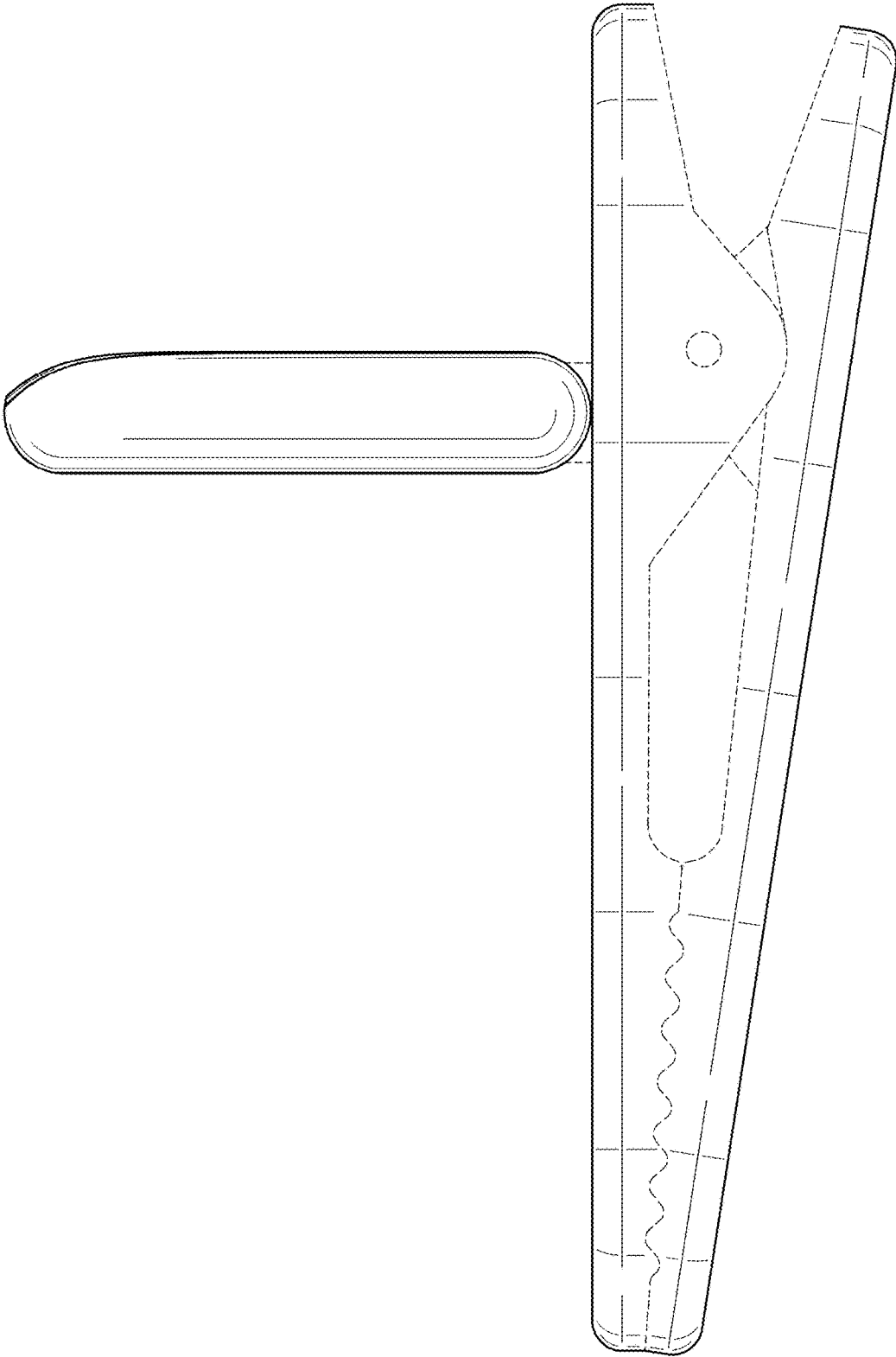


FIG. 5

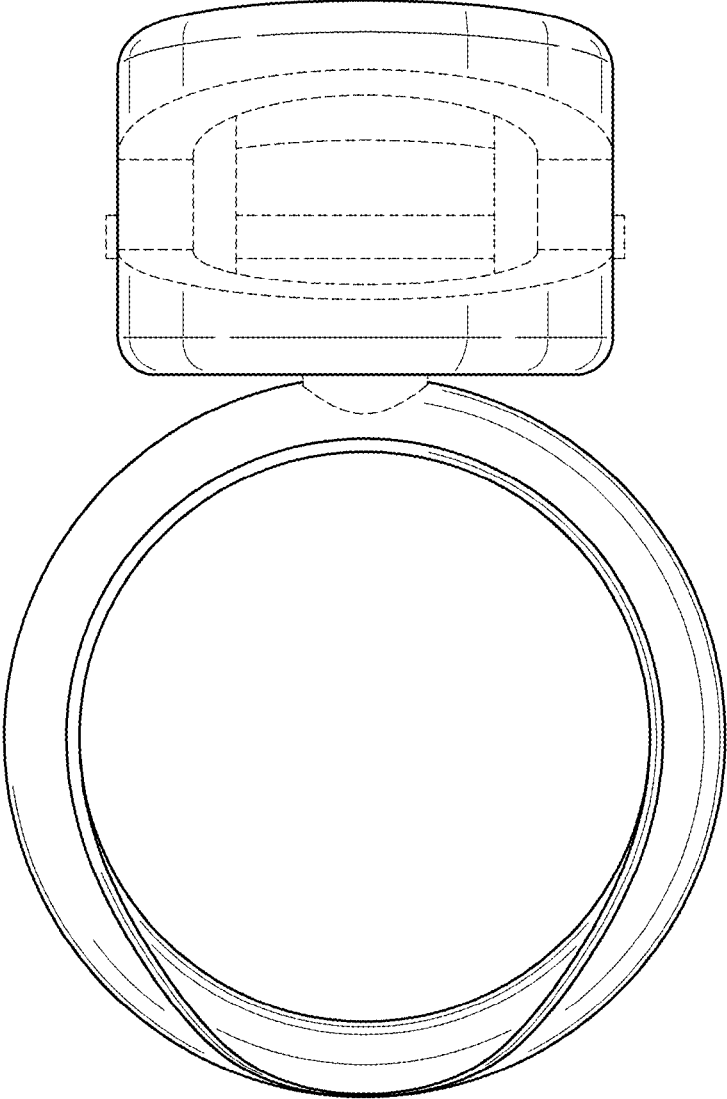


FIG. 6

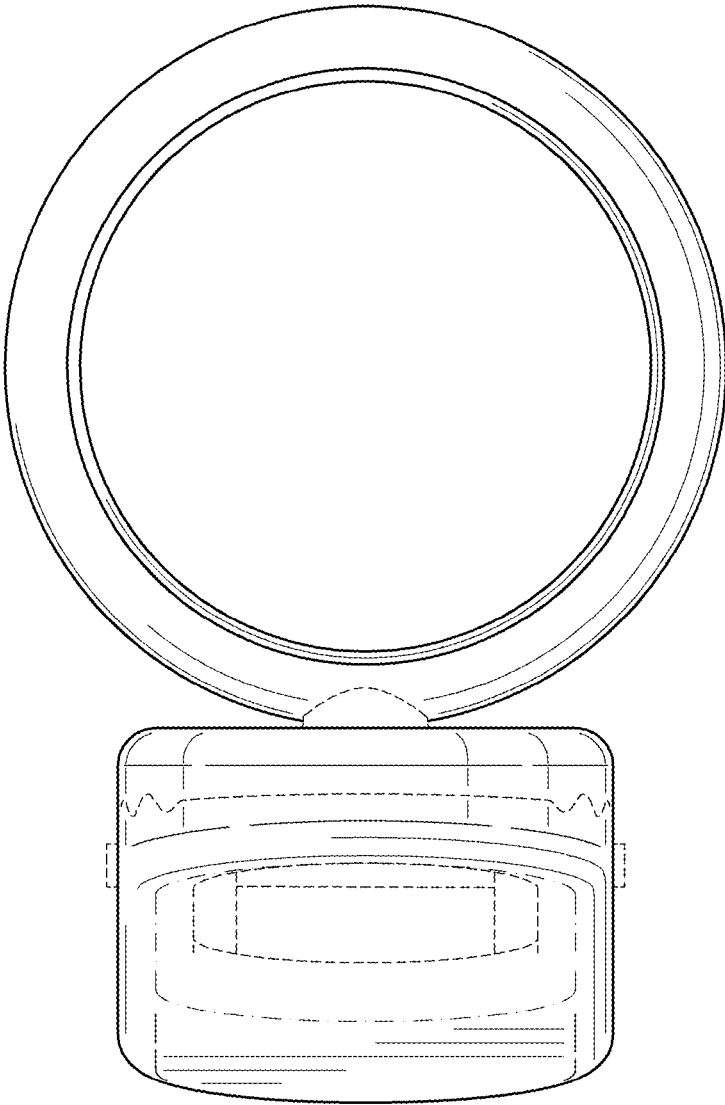


FIG. 7

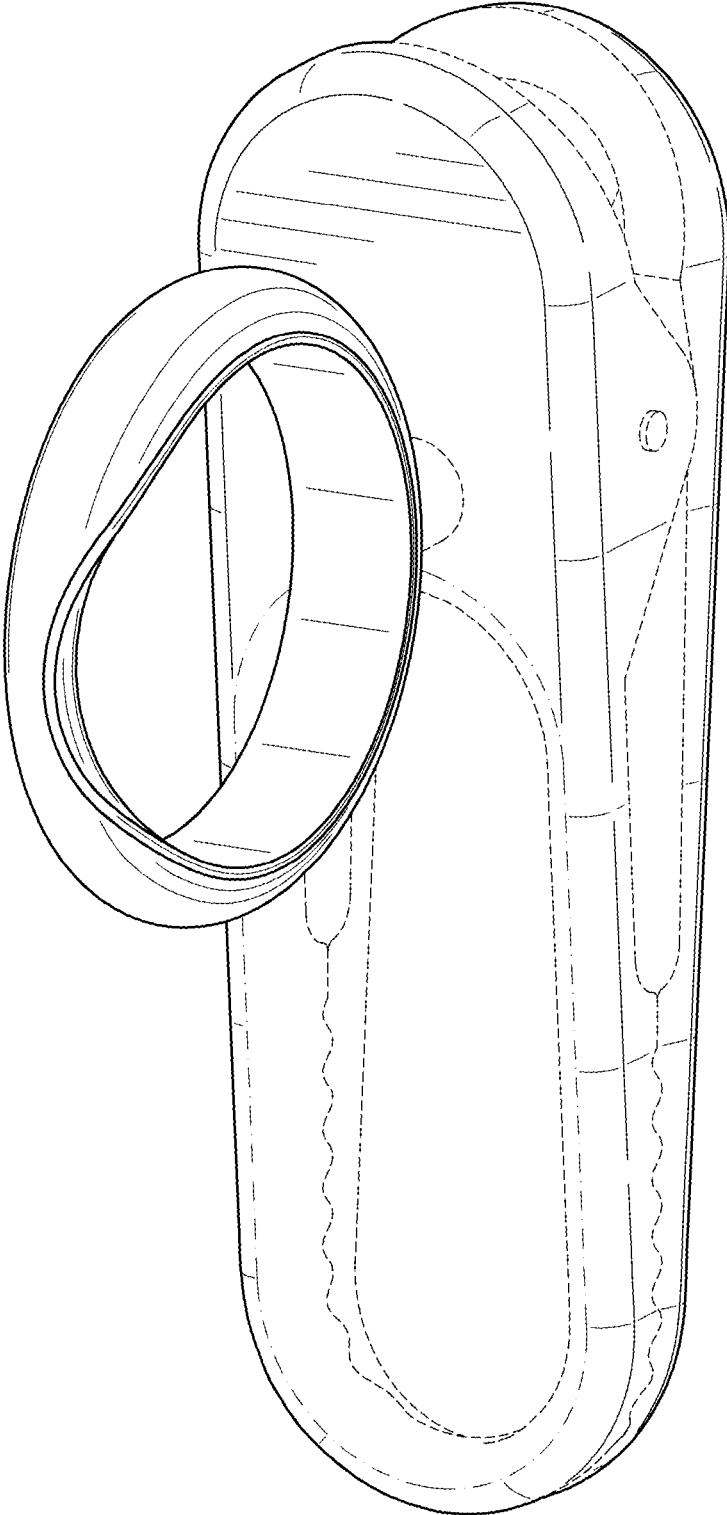


FIG. 8

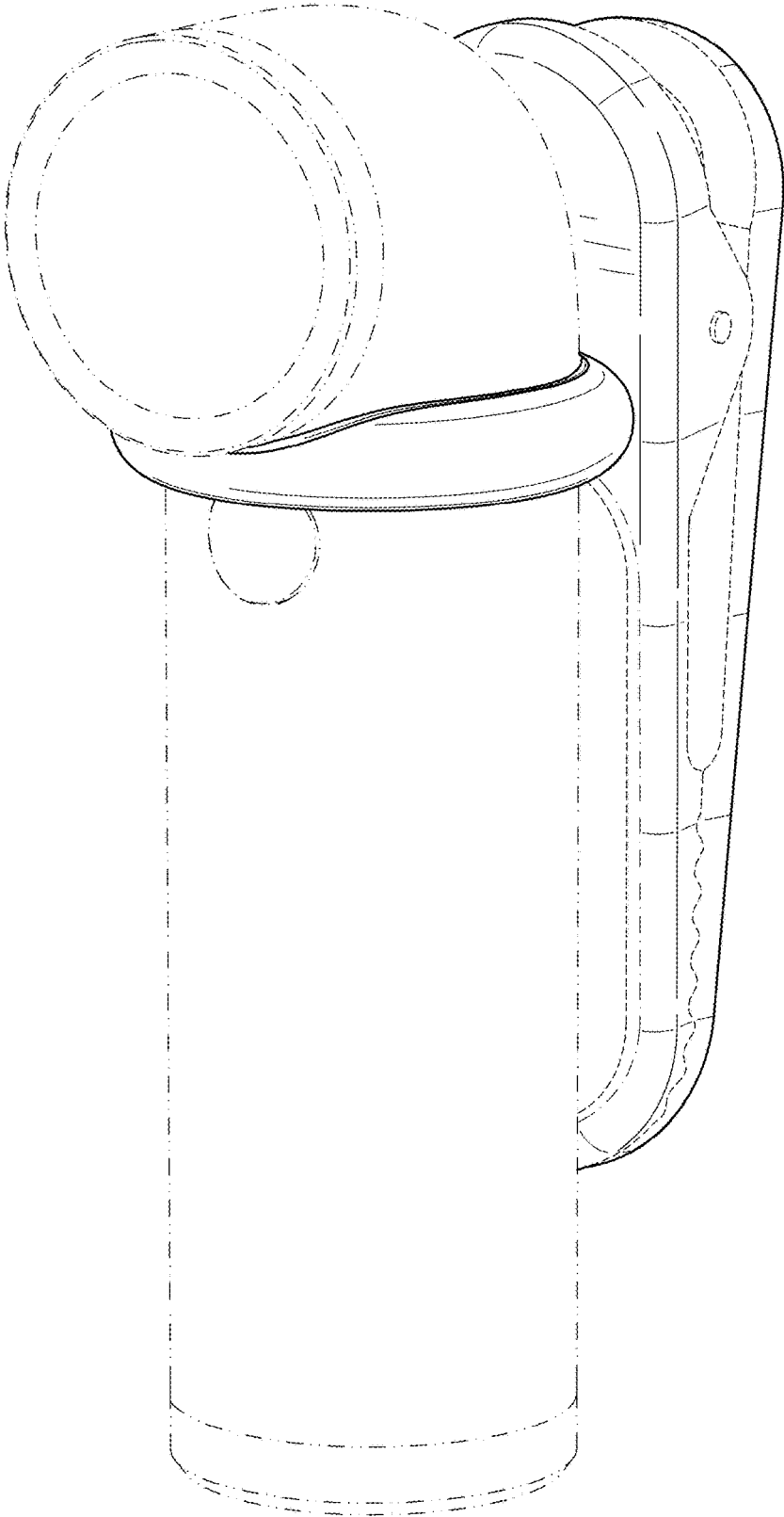


FIG. 9