



US00D341691S

United States Patent [19]

Begum et al.

[11] Patent Number: **Des. 341,691**

[45] Date of Patent: **** Nov. 23, 1993**

[54] **SHOPPING CART HANDLE**

[75] Inventors: **Paul G. Begum**, Salt Lake City, Utah;
Ralph A. Beckman; **James W. Barfoot**, both of Providence, R.I.

[73] Assignee: **Klever-Kart, Inc.**, Salt Lake City, Utah

[**] Term: **14 Years**

[21] Appl. No.: **821,600**

[22] Filed: **Jan. 16, 1992**

[52] U.S. Cl. **D34/27; D34/12**

[58] Field of Search **D34/27, 12, 17, 19; 40/308, 506; 16/111 A, 111 R, 125; 280/33.992, 47.17**

[56] **References Cited**

U.S. PATENT DOCUMENTS

3,115,720 12/1963 Lachance 16/111 A
4,021,953 5/1977 Couch 40/308

4,443,961 4/1984 Gilroy 40/308
4,683,609 8/1987 Trubiano 40/308

FOREIGN PATENT DOCUMENTS

2643178 8/1990 France 40/308

Primary Examiner—**Kay H. Chin**
Attorney, Agent, or Firm—**Bielen, Peterson & Lampe**

[57] **CLAIM**

The ornamental design for a shopping cart handle, as shown and described.

DESCRIPTION

FIG. 1 is a front, top and right side view of a shopping cart handle showing my new design on a portion of a shopping cart;

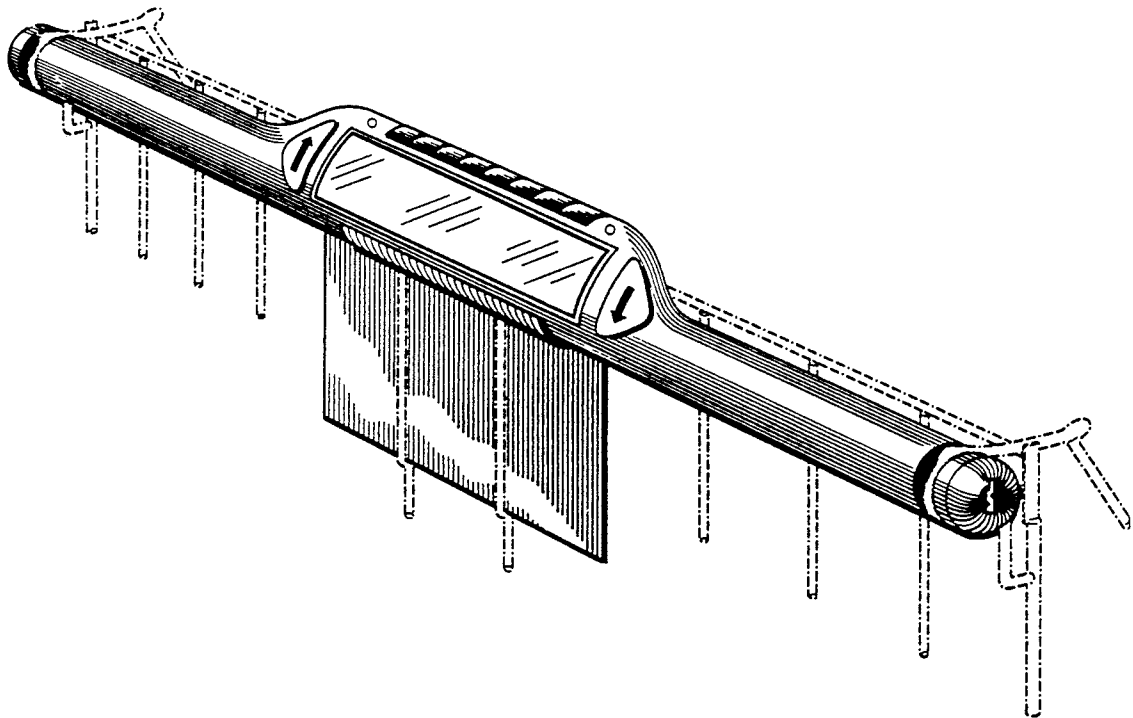
FIG. 2 is a front elevational view of the handle;

FIG. 3 is a top plan view of the handle;

FIG. 4 is a back elevational view of the handle;

FIG. 5 is a bottom plan view of the handle; and,

FIG. 6 is a right side view of the handle, the left side-view being identical thereto.



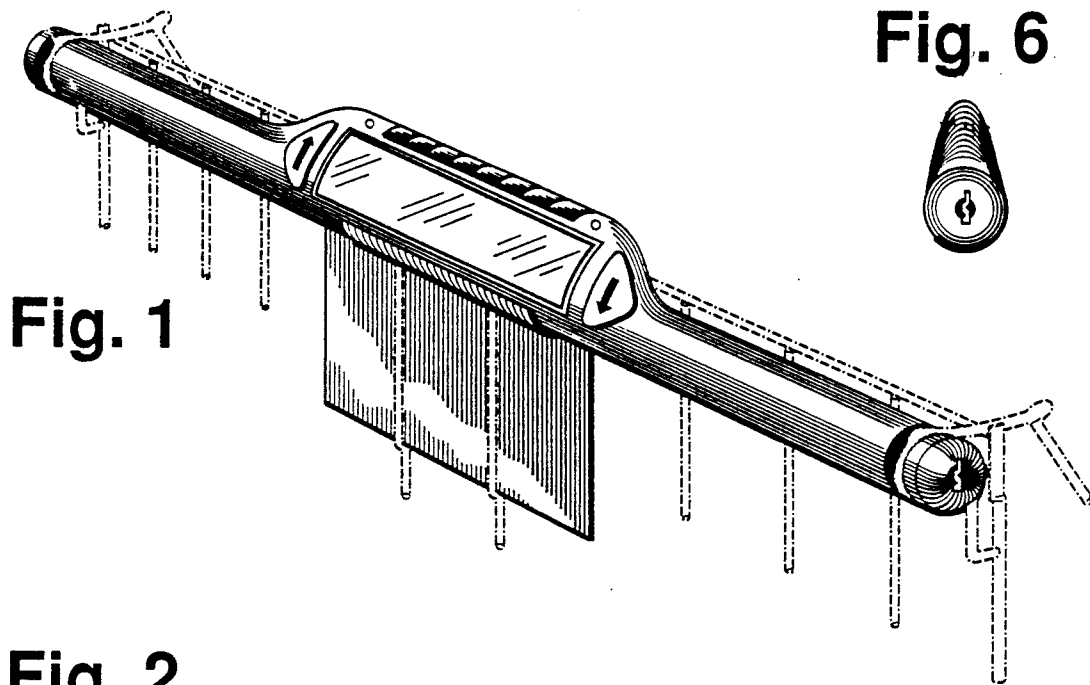


Fig. 6



Fig. 2

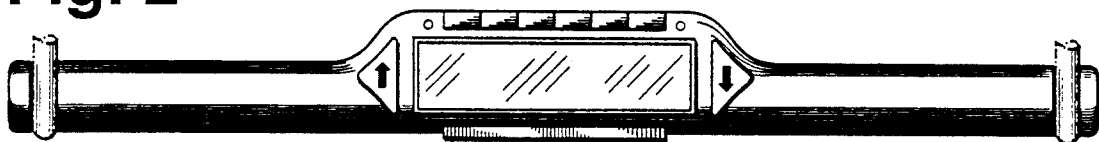


Fig. 3



Fig. 4

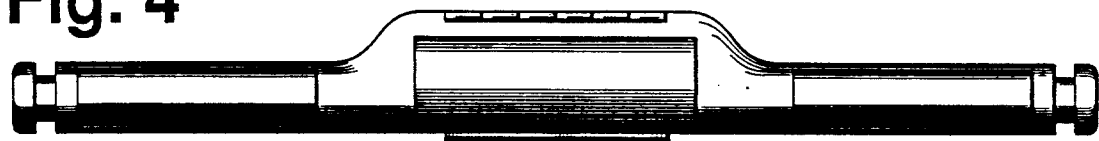


Fig. 5

