



US00D748413S

(12) **United States Design Patent**  
**Perkins et al.**

(10) **Patent No.:** **US D748,413 S**

(45) **Date of Patent:** **\*\* Feb. 2, 2016**

(54) **BEVERAGE CABINET**

(71) Applicants: **Jill Perkins**, Fort Worth, TX (US); **Jeff Perkins**, Fort Worth, TX (US)

(72) Inventors: **Jill Perkins**, Fort Worth, TX (US); **Jeff Perkins**, Fort Worth, TX (US)

(\*\*) Term: **15 Years**

(21) Appl. No.: **29/531,607**

(22) Filed: **Jun. 26, 2015**

**Related U.S. Application Data**

(63) Continuation of application No. 29/501,047, filed on Aug. 29, 2014, now Pat. No. Des. 732,857.

(51) **LOC (10) Cl.** ..... **06-04**

(52) **U.S. Cl.**  
USPC ..... **D6/667**

(58) **Field of Classification Search**

USPC ..... D6/663, 667, 668, 668.1, 671; D15/83; D34/19

CPC ..... A47F 3/005; A47B 17/04; A47B 47/03; F25D 2400/12; F25D 2400/10; F25D 25/00; F25D 31/007; F25D 11/02; F25D 11/04; F25D 19/00

See application file for complete search history.

(56) **References Cited**

**U.S. PATENT DOCUMENTS**

- D103,074 S \* 2/1937 Morgan ..... D6/671
- D117,837 S \* 11/1939 Tuttle ..... 312/297
- 2,420,971 A \* 5/1947 Peltier ..... F25D 11/02
- 62/287
- D162,783 S \* 4/1951 Budny et al. .... D34/19

- 2,677,250 A \* 5/1954 Alsing ..... F25D 11/04
- 62/441
- 2,726,914 A \* 12/1955 Allen ..... F25D 2400/10
- 312/405
- 2,756,570 A \* 7/1956 Gale ..... F25D 31/007
- 312/36
- 2,767,039 A \* 10/1956 Danna, Jr. .... F25D 25/00
- 312/311
- D197,679 S \* 3/1964 Cornelius ..... D15/83
- D205,545 S \* 8/1966 Smith ..... D15/83
- D209,292 S \* 11/1967 Ungaro ..... D6/667
- 4,194,647 A \* 3/1980 Spurrier ..... F25D 25/00
- 221/197
- D299,391 S \* 1/1989 Meehan ..... D15/83
- 4,917,256 A \* 4/1990 Kruck ..... F25D 19/00
- 206/545
- D652,434 S \* 1/2012 Sun ..... D15/83
- D672,793 S \* 12/2012 Tang ..... D15/83
- D732,857 S \* 6/2015 Perkins ..... D6/667

\* cited by examiner

*Primary Examiner* — Mimosa De

(74) *Attorney, Agent, or Firm* — Fulwider Patton LLP

(57) **CLAIM**

The ornamental design for an beverage cabinet, as shown and described.

**DESCRIPTION**

FIG. 1 is a perspective view of the beverage cabinet;

FIG. 2 is a front view of the beverage cabinet;

FIG. 3 is a rear view of the beverage cabinet;

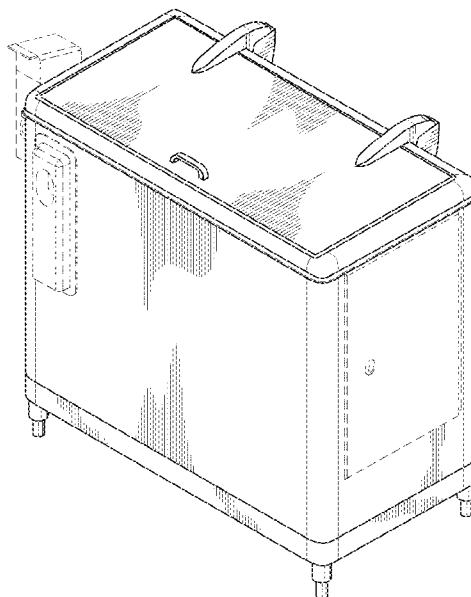
FIG. 4 is a left side view of the beverage cabinet;

FIG. 5 is a right side view of the beverage cabinet; and,

FIG. 6 is a top view of the beverage cabinet.

Broken lines appearing in the drawings are intended to be for illustrative purposes only and form no part of the claimed design.

**1 Claim, 6 Drawing Sheets**



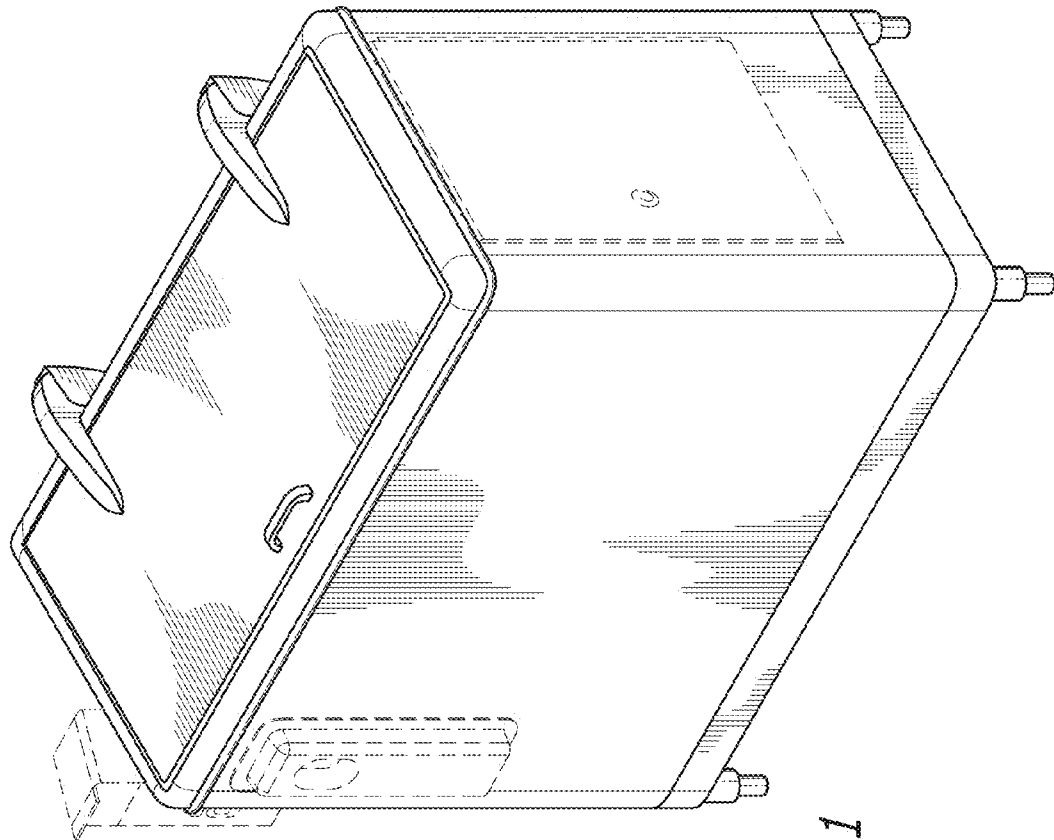


FIG. 1

FIG. 2

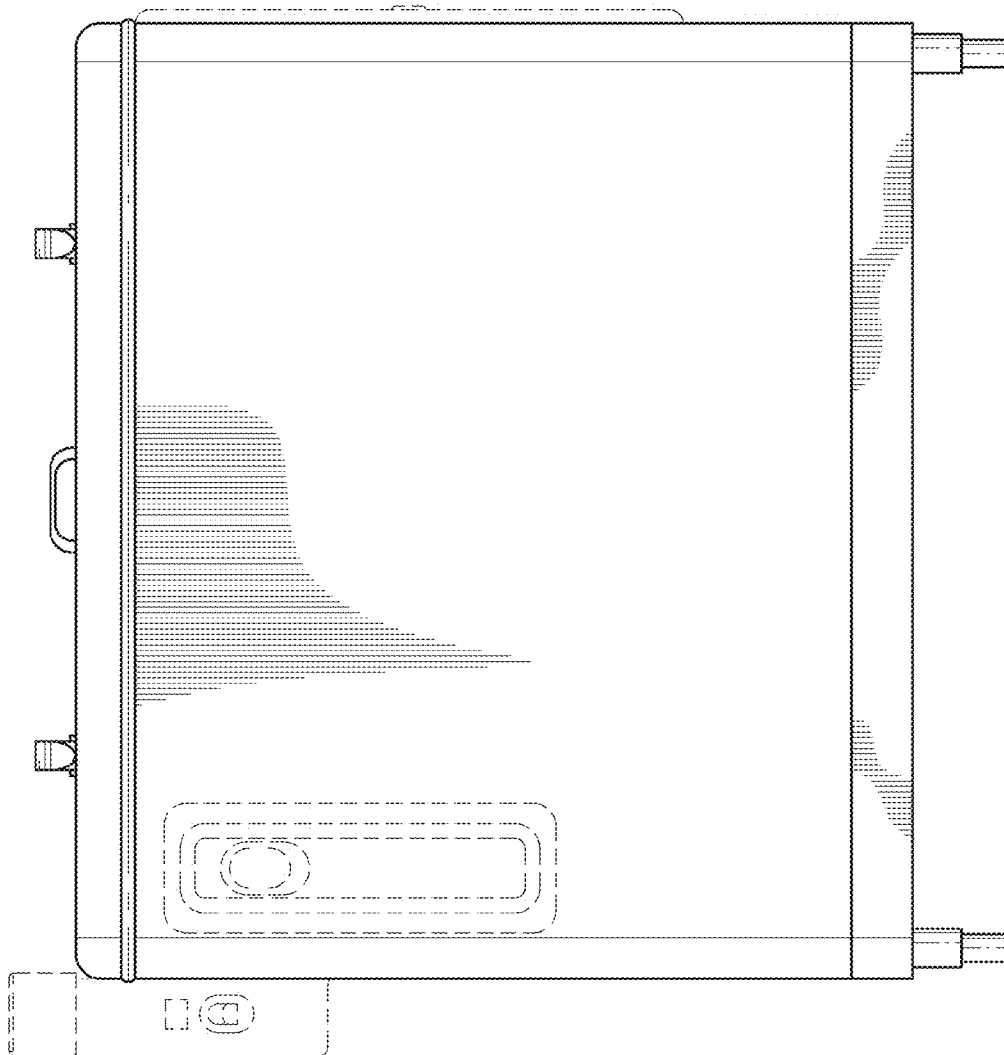
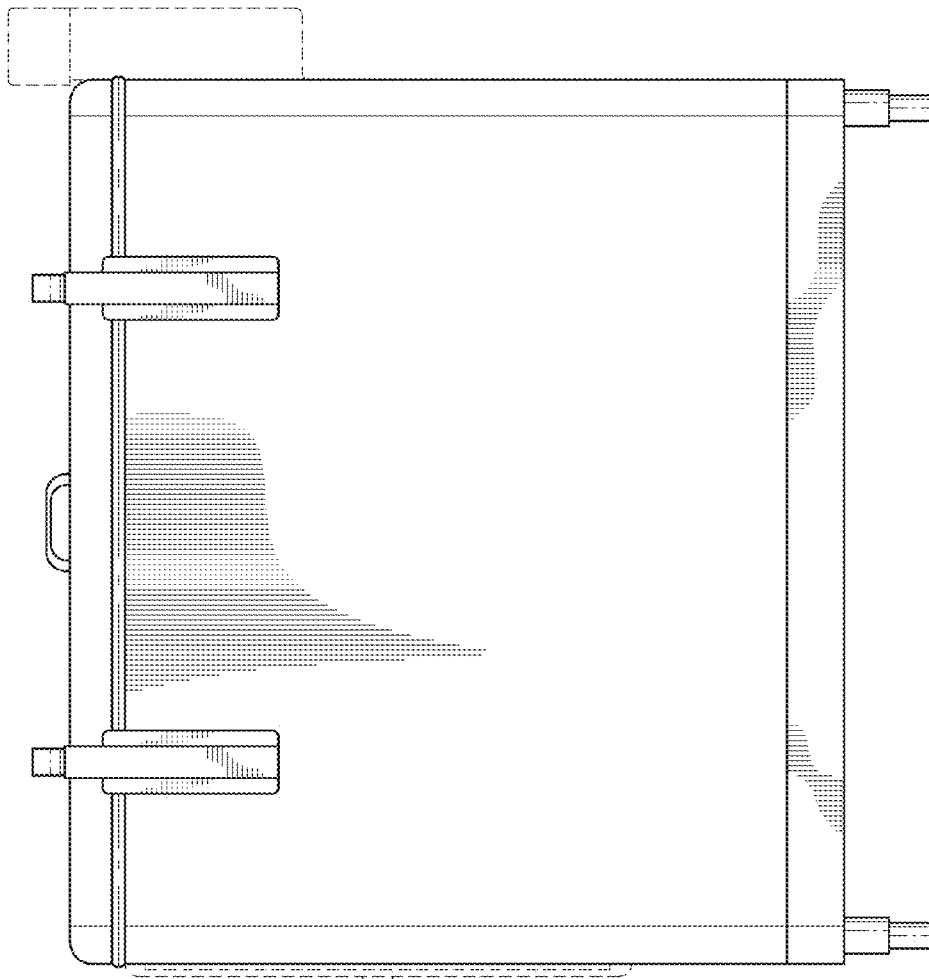


FIG. 3



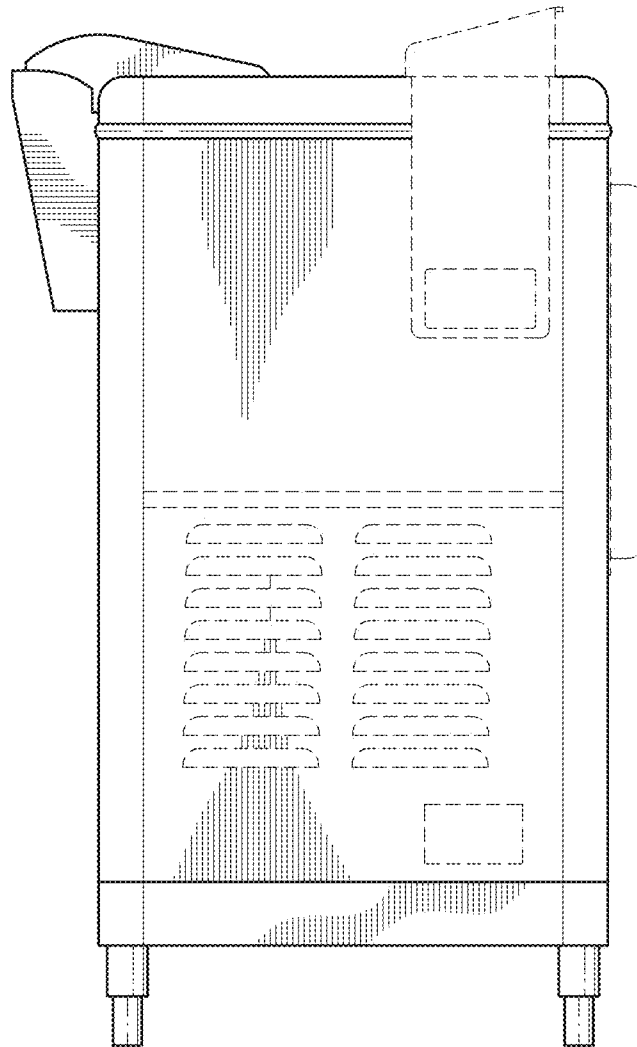


FIG. 4

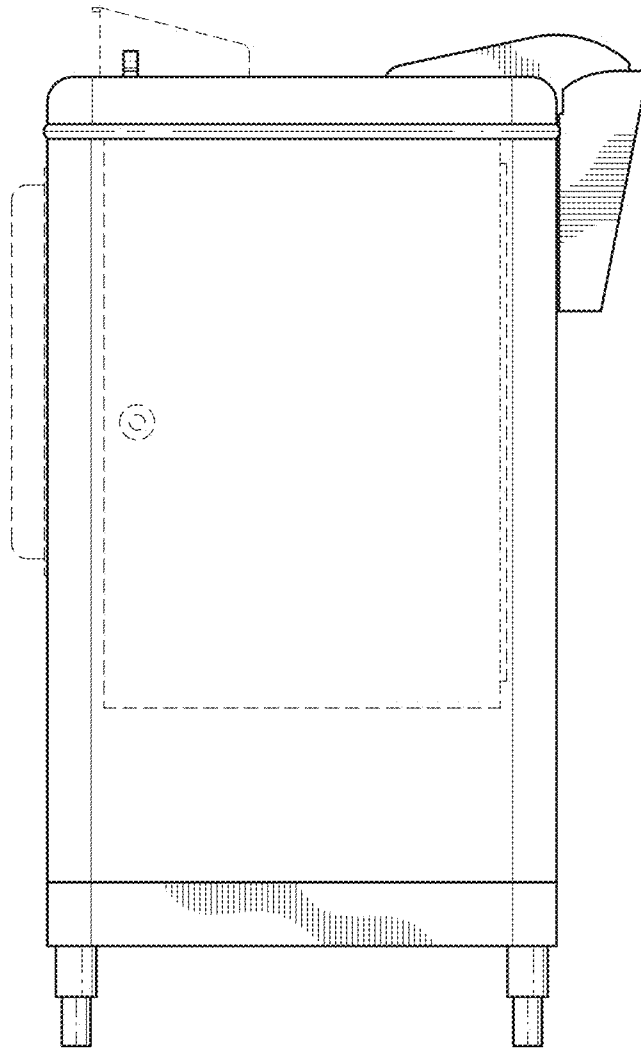


FIG. 5

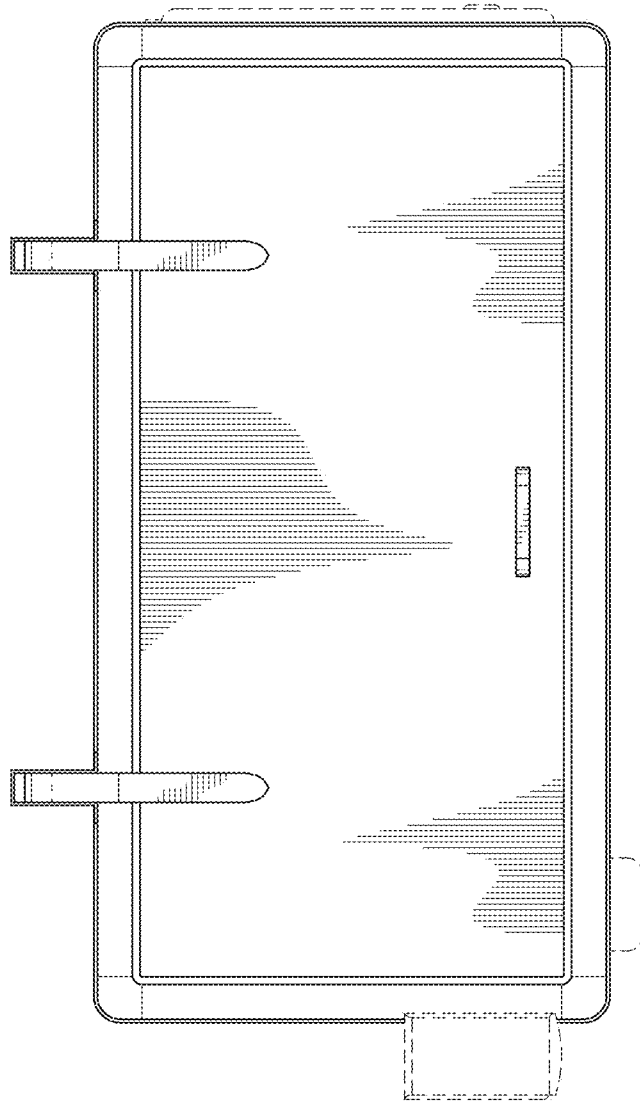


FIG. 6